

INTRODUCTION

Dear Customer,

thank you for having chosen one of our products. We hope you will be completely satisfied with your new ride-on lawnmower and that it will fully meet all your expectations.

This manual has been compiled in order that you may get to know your machine and to be able to use it safely and efficiently. Don't forget that it forms an integral part of the machine, so keep it handy so that it can be consulted at any time, and pass it on to the purchaser if you resell the machine.


This new machine of yours has been designed and made in line with current regulations, and is safe and reliable if used for cutting and collecting grass exactly following the instructions given in this manual (**proper usage**). Using the machine in any other way or ignoring the instructions for safe usage,


maintenance and repair is considered "**incorrect usage**" (☛ 5.1) which will invalidate the guarantee, and the manufacturer will decline all responsibility, placing the blame with the user for damage or injury to himself or others in such cases.

Since the product is continually being improved, you may find slight differences between your machine and the descriptions contained in this manual. Certain modifications can be made to the machine without prior warning and without the obligation to update the manual, although the essential safety and function characteristics will remain unaltered. In case of any doubts, do not hesitate to contact your Dealer. And now enjoy your work!

After-sales Service

This manual provides all the necessary information to run the machine and for correct basic maintenance operations which can be performed by the user. Contact your Dealer for operations not described in this manual.

 **H | F | 2** | _ | _ | _ | _ | _ | _ | _ | _
Write your machine's model here

 **M | A** | _ | _ | _ | _ | _ | _ | _ | _ | _ | _
Note your machine serial number here

HOW TO READ THE MANUAL

Some paragraphs in the manual contain important information regarding safety and operation and are emphasized in this manner:

NOTE or **IMPORTANT** It gives details or further information on what has already been said, and aim to prevent damage to the machine.

WARNING! Non-observance will result in the risk of injury to oneself or others.

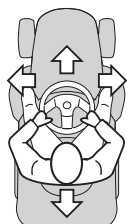
DANGER! Non-observance will result in the risk of serious injury or death to oneself or others.

The manual describes several machine models that can mainly differ in:
– type of transmission: with hydrostatic continuous speed adjustment.
– particular fittings and/or attachments.

The symbol  highlights all the differences in usage and is followed by the indication of the version to which it refers.

The symbol "☛" refers to another part of the manual where further information or clarification can be found.

NOTE Whenever reference is made to a position on the machine "front", "back", "left" or "right" side, this refers to the positions of the seated operator.



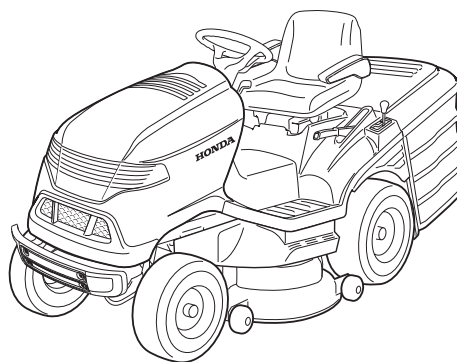
HONDA

ORIGINAL INSTRUCTIONS

INSTRUCTION MANUAL

Ride-on lawnmower

HF2317 • HF2417 • HF2625



CE

ENGLISH

INDEX

1. SAFETY REGULATIONS	2
Regulations for using the machine safely	
2. IDENTIFICATION OF THE MACHINE AND COMPONENTS	5
Explanations on how to identify the machine and its main components	
3. UNPACKING AND ASSEMBLY	6
Explanations on how to remove the packing and on how to assemble separated parts	
4. CONTROLS AND INSTRUMENTS	8
Position and functions of all the controls	
5. OPERATING INSTRUCTIONS	12
Provides indications for working efficiently and safely	
5.1 Safety recommendations	12
5.2 Why the safety devices cut in	12
5.3 Preliminary operations before starting work	13
5.4 Using the machine	14
5.5 Using on slopes	17
5.6 Transport position	18
5.7 Advice on how to obtain a good cut	18
5.8 Summary of main steps to follow when using the machine	19
6. MAINTENANCE	19
All the information for maintaining the machine in peak efficiency	
6.1 Safety recommendations	19
6.2 Routine maintenance	20
6.3 Checks and adjustments	21
6.4 Dismantling and renewing parts	24
7. TROUBLESHOOTING	27
A help in quickly resolving any problems	
8. ATTACHMENTS ON REQUEST	29
A description of the attachments available for particular types of work	
9. TECHNICAL SPECIFICATIONS	30
A summary of the main specifications of your machine	
10. ALPHABETICAL INDEX	31
Where information can be found	

MAJOR HONDA DISTRIBUTOR ADDRESSES i

"EC Declaration of Conformity"

CONTENT OUTLINE ii

Honda France Manufacturing S.A.S.

Pôle 45 - Rue des Châtaigniers - 45140 ORMES - FRANCE

All rights reserved 12-2019 Printed in Italy

1. SAFETY REGULATIONS

1.1 GENERAL SAFETY REGULATIONS

⚠ WARNING! **READ THE INSTRUCTION BOOKLET THOROUGHLY BEFORE USING THE MACHINE. Keep for future reference.**

A) TRAINING

1) **WARNING!** Read these instructions carefully before operating the machine. Become acquainted with the controls and the proper use of the machine. Learn how to stop the engine quickly. Failure to follow the warnings and instructions may result in fire and/or serious injury. Save all warnings and instructions for future reference.

2) Never allow children or persons unfamiliar with these instructions to use the machine. Local regulations may restrict the age of the operator.

3) Never mow while people, especially children, or pets are nearby.

4) Never use the machine if the user is tired or unwell, or has taken medicine, drugs, alcohol or any substances which may slow his reflexes and compromise his judgement.

5) Bear in mind that the operator or user is responsible for accidents or unexpected events occurring to other people or their property. It is the user's responsibility to assess the potential risk of the area where work is to be carried out, and to take all the necessary precautions to ensure his own safety and that of others, particularly on slopes or rough, slippery and unstable ground.

6) If the machine is sold or lent to others, make sure that the operator looks over the user instructions contained in this manual.

7) Do not allow children or other passengers to ride on the machine as they could fall off and injure themselves or compromise safe driving by the operator.

8) The machine operator must follow the driving instructions carefully and, in particular:

- Avoid distractions and maintain concentration whilst working;
- Bear in mind that control of a machine sliding on a slope will not be regained by the application of the brake. The main reasons for loss of control are:
 - Insufficient wheel grip;
 - Excessive speed;
 - Inadequate braking;
 - Type of machine unsuitable for its task;
 - Lack of knowledge about effects which may result from soil conditions, especially on slopes;
 - Incorrect use as a towing machine.

9) The machine is supplied with a series of micro-switches and safety devices which must never be tampered with or removed; this will invalidate the warranty and relieve the manufacturer from all responsibility. Always check that the safety devices are working properly before using the machine.

B) PRELIMINARY OPERATIONS

1) While using the machine, always wear anti-slip and resistant work footwear and long pants. Do not operate the machine when barefoot or wearing open sandals. Never wear scarves, shirts, necklaces, bracelets, clothing with flowing parts, laces or ties or any hanging or flapping accessory that could catch in the machine or in any objects or materials in the work area. Tie hair back if it is long. Wear hearing protection devices.

2) Use of hearing protections can reduce the ability to hear any warnings (shouting or alarms). Be careful of what occurs around you in the work area.

3) Thoroughly inspect the entire work area and remove anything that could be thrown by the machine or damage the cutting-means assembly or engine (stones, branches, iron wire, bones, etc.).

4) **WARNING: DANGER!** Petrol is highly flammable.

- Keep the fuel in approved containers, in a safe place, away from any naked lights or heat sources. Keep the containers out of the reach of children.

- Add fuel, using a funnel, only outdoors; do not smoke during this operation and each time fuel is handled;
 - Top-up with fuel before igniting the engine; never remove the tank cap or add fuel while the engine is running or when it is hot;
 - If you have spilled some fuel, do not attempt to ignite the engine but move the machine away from the area of spillage and avoid creating any source of ignition until the fuel has evaporated and fuel vapours have dissipated;
 - Always put the tank and fuel container caps back on and tighten well;
 - Do not inhale fuel fumes.
 - Open the fuel tank slowly to allow the pressure inside to decrease gradually.
 - Never start the machine in the same place in which you refilled it with fuel; the engine must be started in an area at least 3 metres from where you refuelled.
 - If fuel is spilt on clothing, change clothing before starting the engine.
- 5) Replace faulty silencers.
- 6) Before using the machine, check its general condition and in particular:
the appearance of the cutting means, and check that the screws and cutting-means assembly are not worn or damaged. Replace the entire cutting means and all damaged or worn screws to preserve balance. Any repairs must be done at a specialised centre.
- 7) Check the battery status regularly, and replace it if there is any damage to the casing, cover or terminals.
- 8) Before starting work, always fit the exit guards (grass catcher, rear discharge guard).

C) DURING USE

1) Do not operate the engine in a confined space where dangerous carbon monoxide fumes can develop. All starting operations have to be effected in an open or well ventilated area. Always remember that exhaust gases are toxic. When starting up the machine, do not direct the silencer and therefore the exhaust fumes towards flammable materials.

2) Work only in daylight or with good artificial light in good visibility conditions. Keep persons, children and animals away from the working area. Get another adult to keep the children under supervision.

3) Avoid working with wet grass, in the rain and when there is a risk of a thunderstorm, especially lightning.

4) Before igniting the engine, disengage the cutting means or the power socket and put the gear in neutral.

5) Pay special attention when approaching obstacles that could compromise visibility.

6) Engage the parking brake when parking the machine.

7) The machine must not be used on slopes of over 10° (17%), regardless of the mowing direction.

8) Remember there is no such thing as a "safe" slope. Driving on grass slopes requires particular care. To prevent overturning or loss of control over the machine:

- Do not stop or start suddenly when going up or downhill.
- Engage the drive slowly and always keep the machine in transmission, especially when travelling downhill;
- Machine speeds should be kept low on slopes and during tight turns;
- Watch out for humps, hollows and other hidden hazards;
- Never mow across the face of the slope. Lawns on a slope have to be mowed moving up and down and never across them. When changing direction, take great care that the wheels facing the slope do not hit any obstacles (such as stones, branches, roots, etc.) that may cause the machine to slide sideways, tip over or make you lose control.

9) Reduce speed before any change of direction on slopes, and always apply the parking brake before leaving the machine at a standstill and unattended.

10) Be very careful near ravines, ditches or embankments. The machine could overturn if a wheel slides over the edge or if the earth gives way.

11) Pay maximum attention when working in reverse gear. Look behind you to make sure there are no obstacles before and during operations in reverse gear.

12) Use care when pulling loads or using heavy equipment:

- Use approved drawbar hitch points only when towing.
- Limit loads to those you can safely control.
- Do not turn sharply. Take care when reversing;
- Use counterweight(s) or wheel weights whenever advised in the instructions manual.

13) Disengage the cutting means or the power socket when crossing areas with no grass, when moving to or from areas that require mowing, and move the cutting-means assembly to its highest position.

14) Pay attention to traffic when using the machine near roads.

15) **WARNING!** The machine has not been approved for use on public roads. It must be used (as indicated by the highway code) in private areas closed to traffic.

16) Never operate the machine with damaged, missing or incorrectly assembled guards (grass catcher, rear discharge guards).

17) Always keep hands and feet away from the cutting means, when starting and when using the machine. Attention: the cutting means will continue to rotate for a few seconds after disengagement or after you have switched off the engine. Keep away from the discharge opening.

18) Do not leave the machine stationary on high grass with the engine running to avoid the risk of starting a fire.

19) When using the attachments, never direct the opening towards people.

20) Use manufacturer-recommended attachments only.

21) Don't use the machine if the attachments/tools are not installed in their seats.

22) Pay attention when using the grass catcher and attachments that can alter the stability of the machine, especially on slopes.

23) Do not change the engine settings or over-rev the engine.

24) Do not touch the engine parts as they get very hot when running. Burns hazard.

25) Disengage the cutting means or power socket, put in neutral and engage the parking brake, turn off the engine and remove the ignition key (checking that all moving parts are completely stationary):

- Whenever the machine is left unattended or the operator dismounts from the driving seat:
- Before clearing blockages or unclogging the discharge chute;
- Before checking, cleaning or working on the machine;
- After striking a foreign object. Inspect the machine for damage and make repairs before using it again.

26) Disengage the cutting means or the power socket and switch off the engine (making sure that all moving parts are stationary):

- Before refuelling;
- Whenever you remove or reattach the grass catcher;
- Whenever you remove or reattach the discharge guard;
- Before adjusting the cutting height, if this operation can not be performed from the driving seat.

27) Disengage the cutting means or the power socket during transport and whenever it is not in use.

28) Reduce the throttle setting before stopping the engine. Shut off the fuel supply on completing the work, following the instructions in the engine manual.

29) Pay attention to cutting means assemblies with more than one cutting means, as a rotating cutting means can trigger the rotation of the others.

30) Never disengage, deactivate, remove or tamper with the safety systems/micro switches installed.

31) **WARNING** – If something breaks or an accident occurs whilst working, turn off the engine immediately and move the machine away to prevent further damage; if an accident occurs with injuries or third parties are injured, carry out the first aid measures most suitable for the situation immediately and contact the medical authorities for any necessary health care. Carefully remove any debris which could cause damage or injury to persons or animals if ignored.

32) **WARNING** – The noise and vibration levels shown in these instructions are the maximum levels for use of the machine. The use of an unbalanced cutting means, excessive speed of movement, or

lack of maintenance have a significant influence on noise emissions and vibrations. Consequently, it is necessary to take preventive steps to eliminate possible damage due to high levels of noise and stress from vibration. Maintain the machine well, wear ear protection devices, and take breaks while working.

33) Do not use USB accessories while cutting grass or driving.

D) MAINTENANCE AND STORAGE

1) **WARNING!** – Before cleaning or doing maintenance work, take out the ignition key and read the relevant instructions. Wear proper clothing and protective gloves whenever your hands are at risk.

2) **WARNING!** – Never use the machine with worn or damaged parts. Faulty or worn-out parts must always be replaced and never repaired. Use original replacement parts only: the use of non-original and/or incorrectly fitted parts will jeopardize the safety of the machine, may cause accidents or personal injuries for which the Manufacturer is under no circumstance liable or responsible.

3) Any adjustments or maintenance operations not described in this manual must be carried out by your Dealer or a specialized Service Centre with the necessary knowledge and equipment to ensure that the work is done correctly maintaining the machine's original safety level. Any operations performed in unauthorized centres or by unqualified persons will totally invalidate the Warranty and all obligations and responsibilities of the Manufacturer.

4) After each use, remove the ignition key and check for damage.

5) Keep all nuts, bolts and screws tight to be sure the equipment is in safe working condition. Routine maintenance is essential for safety and for maintaining a high performance level.

6) Check that the cutting means screws are properly tightened on a regular basis.

7) Wear work gloves when handling, disassembling and reassembling all cutting means.

8) Keep the cutting means well balanced during sharpening. All work on the cutting means (disassembly, sharpening, balancing, reassembly and/or replacing) are demanding jobs that require special skills as well as special tools. For safety reasons, these jobs are best carried out at a specialised centre.

9) Check that the brakes work properly on a regular basis. It is vital for brakes to undergo regular maintenance and, where necessary, repair work.

10) Check the side discharge guard, the discharge guard, the grass catcher and the intake grille frequently. Replace them if they are damaged.

11) Replace any instruction or warning message stickers, if damaged.

12) When the machine is to be stored or left unattended, lower the cutting-means assembly.

13) Store the machine out of the reach of children.

14) Do not store the machine with fuel in the tank in an area where the fuel vapours could reach an open flame, a spark or a strong heat source.

15) Allow the engine to cool down before storing in any enclosure.

16) To reduce fire hazards, keep the engine, silencer, battery compartment and petrol storage area free of grass, leaves, or excessive grease. Always empty the grass catcher and do not leave containers full of cut grass inside storage areas.

17) To reduce fire hazards, check there are no oil and/or fuel leaks on a regular basis.

18) If the fuel tank has to be emptied, this should be done outdoors once the engine has cooled down.

19) Never leave the keys in the ignition or within reach of children or unauthorised persons. Always remove the ignition key before doing any maintenance.

20) Be careful during adjustment of the machine to prevent entrapment of the fingers between moving parts of the cutting means and fixed parts of the machine.

E) TRANSPORT

1) **WARNING!** – If the machine must be transported on a truck or trailer, use ramps with suitable resistance, width and length. Load the machine with the engine switched off, without a driver and pushed by an adequate number of people. During transport, lower the cutting-means assembly or attachment, engage the parking brake, position the machine so that it can cause no danger to persons and fasten it firmly to the means of transport using ropes or chains to prevent it from tipping over causing damage and fuel leaks.

F) ENVIRONMENTAL PROTECTION

1) Environmental protection should be a priority of considerable importance when using the machine, for the benefit of both social coexistence and the environment in which we live. Avoid being a disturbance to the neighbourhood.

2) Scrupulously comply with local regulations and provisions for the disposal of packaging, oils, petrol, filters, damaged parts or any elements which have a strong impact on the environment; this waste must not be disposed of as normal waste, it must be separated and taken to specified waste disposal centres where the material will be recycled.

3) Scrupulously comply with local regulations for the disposal of waste materials after mowing.

4) At the time of decommissioning, do not pollute the environment with the machine, but hand it over to a disposal centre, in accordance with the local laws in force.

1.2 DESCRIPTION OF THE MACHINE AND ITS RANGE OF USE

This machine is a garden tool and precisely a ride-on lawnmower with seated operator.

The machine is equipped with an engine which drives a cutting unit protected by a casing, as well as a transmission unit that moves the machine.

The operator is able to operate the machine and use the main controls, always seated in the operator's position.

The devices fitted on the machine stop the engine and the cutting means within a few seconds, should the operator behave in a manner that does not comply with the necessary safety precautions.

Intended use

This machine was designed and built to cut grass.

The use of special attachments provided for by the Manufacturer as original equipment or which may be purchased separately, allows this work to be done in various operating modes, illustrated in this manual or the instructions that accompany the single attachments. Likewise, the intended use can be extended to include other functions by applying supplementary attachments (if provided for by the Manufacturer), abiding by the restrictions and conditions indicated in the instructions accompanying the attachment.

User types

This machine is intended for use by consumers, i.e. novice and/or first time operators and not professionals. The machine is intended for "DIY" use only.

Improper use

Any other usage not in keeping with the above-mentioned ones may be hazardous and harm persons and/or damage things. Examples of improper use may include, but are not limited to:

- transporting people, children or animals on the machine or on a trailer;
- towing or pushing loads without the use of the specified attachment for towing;

- using the machine for riding over unstable, slippery, icy, stony, rough, marshy ground or puddles that do not allow the consistency of the ground to be assessed;
- using the cutting means on surfaces other than grass;
- using of the machine for leaf or debris collection.

Improper use of the machine will invalidate the warranty, relieve the Manufacturer from all liabilities, and the user will consequently be liable for all and any damage or injury to himself or others.

1.3 SAFETY LABELS

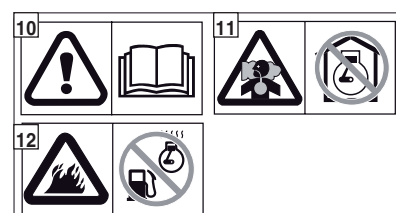
Your machine must be used with care. Therefore, labels have been placed on the machine to remind you pictorially of the main precautions to take during use. These labels are to be considered an integral part of the machine. If a label should fall off or become illegible, contact your Retailer to replace it. Their meaning is explained below.



- 1 = Warning:** Read the instructions before operating the machine.
- 2 = Warning:** Disconnect the key and read the instructions before carrying out any maintenance or repair work.
- 3 = Danger! Ejected objects:** Do not operate without either the rear discharge guard or the grass catcher being in place.
- 4 = Danger! Ejected objects:** Keep bystanders away.
- 5 = Danger! Machine rollover:** Do not use this machine on slopes greater than 10°.
- 6 = Danger! Dismemberment:** Make sure that children stay clear of the machine all the time when engine is running.
- 6a =** Do not climb onto the machine putting your feet on the cutting-means assembly.



- 7 = Danger of cutting yourself.** Cutting means in motion. Do not put hands or feet near or under the opening of the cutting means housing.
- 8 = Warning:** Never tamper the microswitch.
- 9 = Avoid injuries caused by moving belts:** Never start up the machine without the safety guards in place. Keep a safe distance between you and the belts.



10 = **Warning:** Read the instructions before operating the machine.

11 = **Warning:** The engine releases carbon monoxide, which is a poisonous toxic gas. Do not run in confined space.

12 = **Warning:** Gasoline is extremely flammable and explosive. Stop the engine and let it cool down before refuelling.



13 = **Warning:** During operation, the muffler becomes very hot and remains hot for some time even after the engine has stopped.



14 = **This is a recyclable product.** It contains lead. Do not discard it in the environment and dispose of in compliance with the laws in force.



15 = **Flammable vapours** - Keep away from open flames.

16 = Wear protective goggles.

17 = Keep out of the reach of children.

18 = **Corrosive liquid.** If the liquid comes into contact with the eyes, rinse immediately with water and call a physician.

19 = Read the instructions for use.

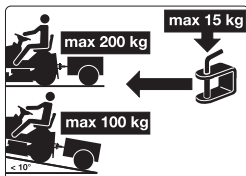
20 = Explosion risk.

1.4 REGULATIONS FOR TOWING

A kit for towing a small trailer is available on request. This attachment must be fitted following the instructions provided.

When using the towing kit, do not exceed the recommended loads stated on the label and follow the safety instructions (☛ 1.2, C-6).

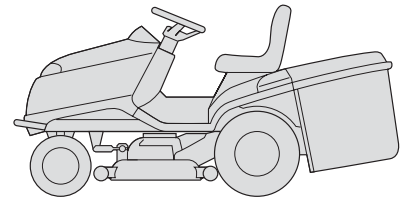
Total towable weight: on flat ground: 200 kg or less on a slope (10° or less): 100 kg or less



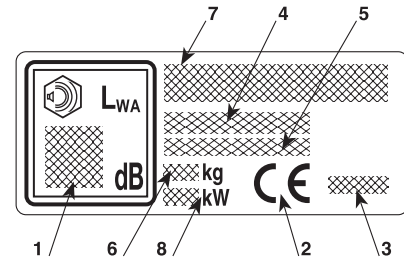
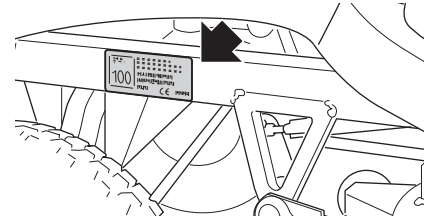
2. IDENTIFICATION OF THE MACHINE AND COMPONENTS

2.1 IDENTIFICATION OF THE MACHINE

The information label, located on the left side of the chassis, has the essential data of each machine.



The serial number (5) must be quoted when you require technical assistance or spare parts.



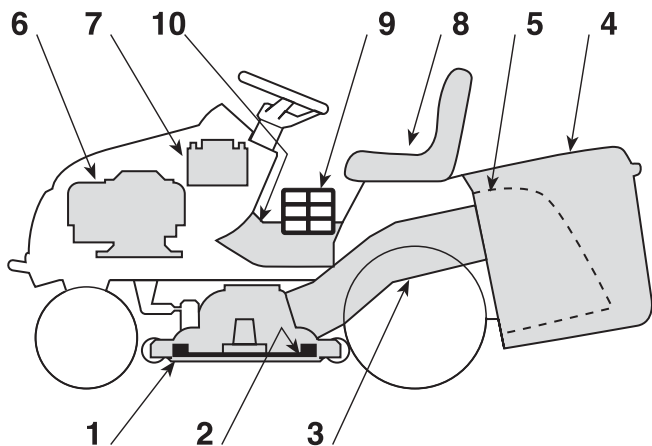
1. Acoustic power level according to directive 2000/14/EC, 2005/88/EC
2. Conformity mark according to directive 2006/42/EC, 2005/88/EC, 2014/30/EU
3. Year of manufacture
4. Model and type of machine
5. Serial number
6. Weight in kg (with empty tank)
7. The name and address of the manufacturer are shown in the "EC Declaration of Conformity" - CONTENT OUTLINE inside this Instruction Manual.
8. Engine nominal power (at 2800 min⁻¹)

HOW TO RECOGNIZE YOUR MACHINE

Preparation, use and maintenance of a range of machines with many differing features are described in this manual. It is therefore important to clearly identify your machine's model in order to following all of the information regarding it.

Your machine's model is indicated on the "identification label" in point 4 and is composed of a series of letters and numbers.

In the following pages of this manual, the model or models to which operations refer are indicated beforehand. The absence of any indication means it is valid for all models.



2.2 IDENTIFICATION OF MAIN COMPONENTS

The machine is composed of a series of main components that have the following functions:

- 1. Cutting-means assembly:** this is the casing that houses the rotating cutting means.
- 2. Cutting means:** these are what cut the grass; the fins at the ends help convey the cut grass towards the discharge chute.
- 3. Discharge chute:** this is the part connecting the cutting-means assembly to the grass catcher.
- 4. Grass catcher:** as well as collecting the grass cuttings, this is also a safety element that stops any objects drawn up by the cutting means from being hurled away from the machine.
- 5. Rear discharge guard** (available upon request): this can be fitted in place of the grass catcher and prevents objects from being drawn up by the cutting means and hurled away from the machine.
- 6. Engine:** this moves the cutting means and the wheels drive.
- 7. Battery:** provides the energy for starting the engine. Its specifications and regulations for use are described in a specific manual.
- 8. Driver seat:** this is where the machine operator sits. It has a sensor connected to safety devices for detecting the presence of the operator.
- 9. Regulation and safety labels:** give reminders on the main regulations for working safely, each of which is explained in chapter 1.
- 10. Inspection hatch:** for access to make several adjustments.

3. UNPACKING AND ASSEMBLY

For storage and transport purposes, some components of the machine are not installed in the factory and have to be assembled after unpacking. Follow the instructions below.

⚠ WARNING! *Unpacking and completing the assembly should be done on a flat and stable surface, with enough space for moving the machine and its packaging, always making use of suitable equipment. Do not use the machine until all the indications provided in the "ASSEMBLY" section have been carried out.*

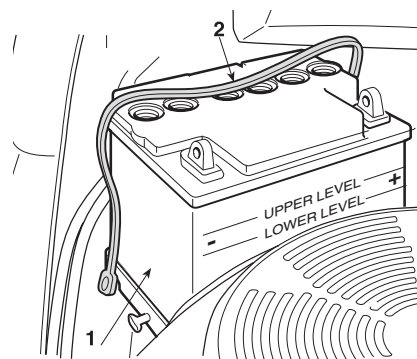
3.1 ACTIVATING AND CONNECTING THE BATTERY

IMPORTANT DRY CHARGE BATTERY!

The battery (1) is housed behind the engine and secured with a strap (2).

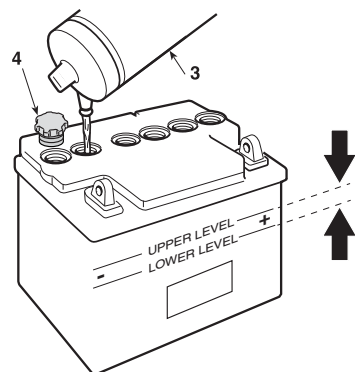
Unfasten the strap (2) and remove the battery.

Remove the sealing tape and pour in the electrolytic solution (3) (diluted sulphuric acid not supplied: specific weight 1.280, distributing it evenly among the six elements until it reaches the "UPPER LEVEL" marking on the battery.



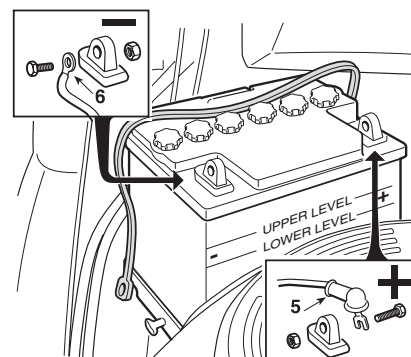
IMPORTANT *The electrolyte solution must not exceed 30°C/86°F during the filling process.*

Leave the battery standing for at least half an hour after filling. The electrolyte solution level should drop. Pour the electrolyte solution again up to the "UPPER LEVEL" reference mark.



It is important for the level to stay always between the "UPPER LEVEL" and "LOWER LEVEL" reference marks on the battery.

Place and tighten the six caps (4) provided and charge the battery.



IMPORTANT *After*

activating the battery, always charge the battery completely with the help of your dealer, who will have all the right equipment. The battery charger is NOT able to charge the battery for the first time after activation.

First connect the red wire (5) to the positive pole (+) and then the black wire (6) to the negative pole (-), using the screws supplied as shown. Apply silicone grease to the terminals and check that the protective cap for the red wire (5) is in place.

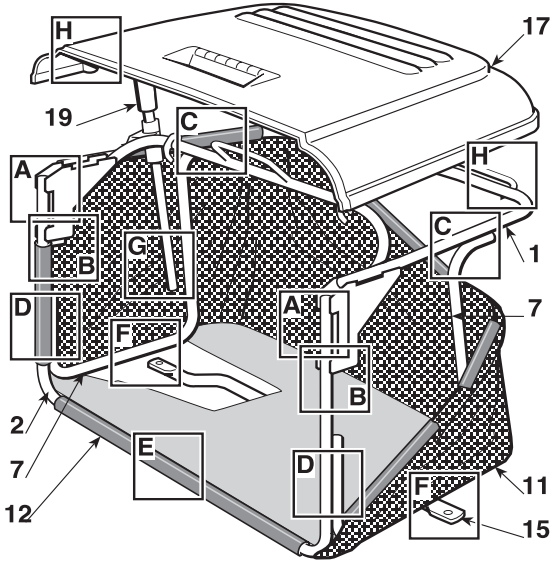
IMPORTANT To prevent the safety device in the electronic circuit board from cutting in, never start the engine until the battery is fully charged!

! WARNING! Battery acid is corrosive and polluting. Wear protective gloves when handling the battery and dispose of the battery in accordance with the regulations in force.

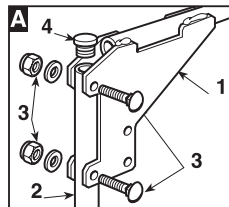
IMPORTANT Use ONLY the specific battery mod. CNB 31500-VK1-810-M1.

3.2 ASSEMBLING THE GRASS CATCHER

A) Join the upper part of the frame (1) to the front component (2)

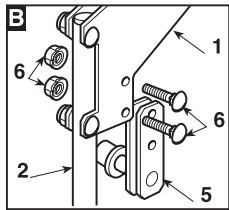


using the supplied screws and nuts (3) as shown. Fit the two rubber caps (4) into the holes in the tube of front frame (2).



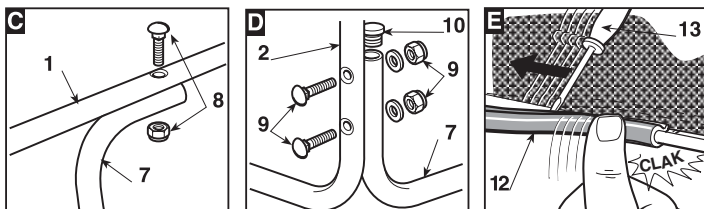
HF2...HT

B) Before fully tightening the nuts (3), insert the two supports (5) between the upper chassis plates (1), with the rollers facing inwards, and secure them with screws and nuts (6); then tighten the nuts (3).



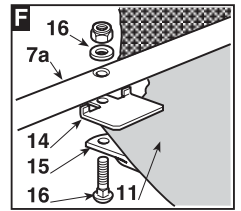
C-D) Mount the two side elements (7), using screws and nuts (8 and 9) as shown. Fit the two rubber caps (10) into the holes of the two side elements (7)

E) Insert the assembled frame in the canvas cover (11) making sure it is correctly positioned on the base perimeter. Hook the plastic profiles (12) onto the frame tubes with the aid of a screw-driver (13).

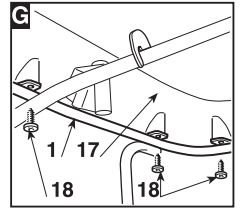


HF2...HB **HF2...HM**

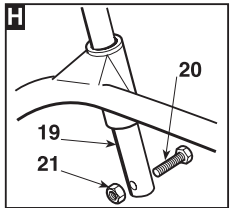
F) Place the plate (14) between the canvas and the lower part of the chassis right element (7a) and line up the holes.



F) Attach the stiffening bar (15) under the frame using the screws and nuts (16) and keeping the flat part turned towards the canvas.



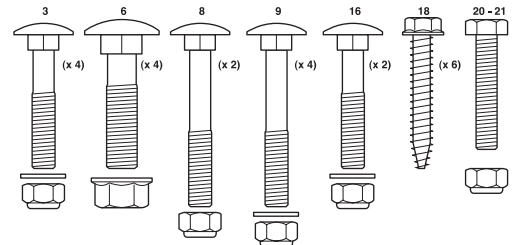
G) Mount the cover (17) and fasten it to the upper part of the frame (1) with the six screws (18).



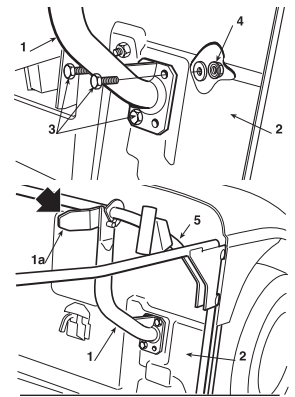
HF2...HB **HF2...HM**

H) Insert the emptying lever (19) in its position and put in the limit stop screw (20) with its nut (21).

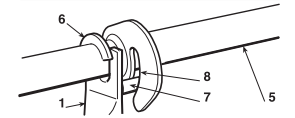
3.3 ASSEMBLING THE GRASS CATCHER BRACKETS



Fit the two brackets (1) on the rear plate (2), using for each bracket three screws (3) which are supplied, as shown, without fully tightening the nuts (4). The brackets (1) must be mounted in a way that the fins (1a) point inwards.



Fasten to the supports the upper part (5) of the grass catcher frame and centre it up with the rear plate (2). Adjust the position of both brackets (1) in relation to the slot (6) so that, by turning the grass catcher frame, the pin (7) slots in place (8).

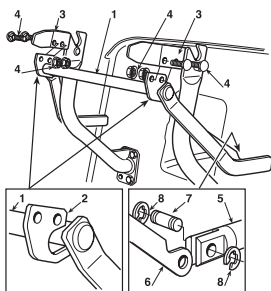


Make sure again that the frame (5) is well centered in relation to the rear plate (2) and that the rotation movement takes place regularly, as indicated above, then tighten the screws fully (3) and the fastening (4) nuts.

3.4 ASSEMBLING THE LEVERS FOR TIPPING THE GRASS CATCHER

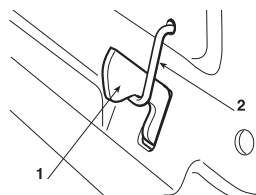
▶ HF2...HT

- Fit the lever shaft (1) in the groove between the two plates (2) and fasten them to the inner grass catcher brackets (3) using the nuts and screws supplied (4), as shown by the sequence in the figure.
- Connect the end of the rod (5) of the lifting piston to the lever (6) with the pin (7) and attach the two snap rings (8).
- Before attaching the grass catcher to its supports, make sure that the tipping lever moves properly.

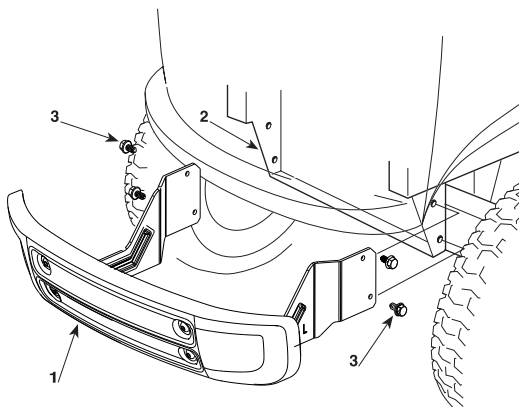


3.5 REMOVAL OF THE GRASS CATCHER PAWL SPRING RETAINER

For transport reasons the grass catcher (1) pawl spring is fastened to the rear plate by the retainer (2). This retainer must be removed before the grass catcher frames are fitted and must not be used any longer.

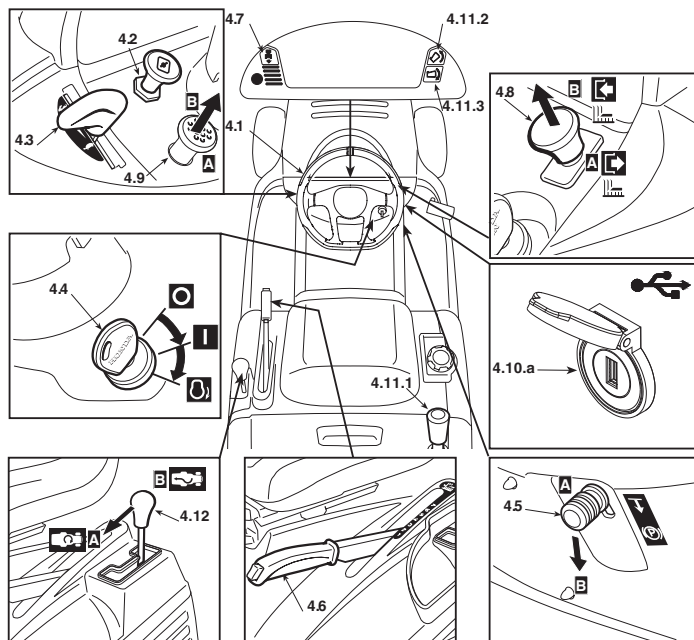


3.6 FITTING THE FRONT BUMPER



Mount the front bumper (1) on the bottom of the frame (2) using the four screws (3).

4. CONTROLS AND INSTRUMENTS



4.1 STEERING WHEEL

Turns the front wheels.

4.2 CHOKE CONTROL

Used to turn on the engine when cold. It enriches the mixture and must only be used for the necessary time.

4.3 THROTTLE LEVER

Adjusts the engine speed. The positions are indicated on the plate showing the following symbols:

☛ «SLOW» for minimum engine speed

☛ «FAST» for maximum engine speed

- When moving from one area to another, put the lever in a position between «SLOW» and «FAST».
- When cutting, shift into «FAST».

4.4 KEY IGNITION SWITCH

This key operated control has three positions:

○ «OFF» everything is switched off;

I «ON» activates all parts;


☛ «START» Switch on the starter motor to ignite the engine.

On being released at the «START» position, the key will automatically return to «ON».

4.5 PARKING BRAKE LEVER

This lever stops the machine from moving when it has been parked. There are two positions:

 «A» = Brake disengaged

 «B» = Brake engaged

- The brake is engaged by pressing the pedal (4.21) right down and moving the lever to position «B». When you take your foot off the pedal it will be blocked by the lever in the down position.
- The "Brake engaged" condition is shown by the lighting of a pilot lamp (4.13.e).
- To disengage the parking brake, press the pedal (4.21). The lever will return to position «A».

4.6 CUTTING HEIGHT ADJUSTING LEVER

Use this lever to raise and lower the cutting-means assembly to one of the 7 different cutting heights.



The seven positions for this lever, shown as «1» to «7» on the label, correspond to various cutting heights whose values are given in the "Technical characteristics" table (☛ chap. 10).

- To go from one height to another, press the release button at the end of the lever.

4.7 REVERSE GEAR CUTTING CONSENT BUTTON




By pressing and holding this button, it is possible to switch to reverse gear with the cutting means engaged without causing the engine to stop.


4.8 CUTTING MEANS ENGAGE AND BRAKE CONTROLS

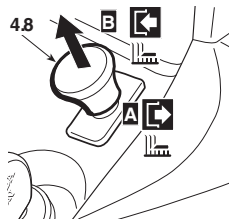
This mushroom-head button allows you to engage the cutting means using the electromagnetic clutch:



 «A» Pressed
= Cutting means disengaged



 «B» Pulled =
Cutting means engaged



- The status "Cutting means engaged" is indicated when the indicator light comes on (☛ 4.13.g).
- If you engage the cutting means without taking the necessary safety precautions, the engine shuts down and cannot be restarted (☛ 5.2).
- In disengaging the cutting mean (Pos. «A»), a brake is simultaneously activated which stops their rotation within a few seconds.
- Switching the cutting means into reverse gear is only possible by pressing and holding button 4.7.

4.9 CRUISE CONTROL



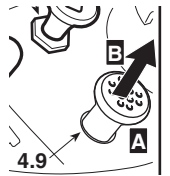
HF2417HM • **HF2417HT** • **HF2625H**

- This device keeps the machine at the desired drive speed without having to press the pedal (4.22).
- The mushroom-head button has two positions:



1. «A» = Pressed. Device disengaged (off)

2. «B» = Pulled. Device engaged (on)



- If you turn on the device while driving, the machine maintains the speed reached at that time without having to press the pedal (4.22).
- The device cannot be used when driving in reverse.
- while the device is on, it is not possible to operate the reverse pedal (fig. 4.23).
- On uphill or downhill stretches, the speed may vary from that set on level ground.
- To turn off the device and reset pedal speed control (4.22) just
 - press the pedal (4.22);
- or
 - press the brake pedal (4.21).
- In both cases the mushroom-head button automatically returns to position «Pressed».

4.10.a AUXILIARY SOCKET FOR USB ACCESSORIES

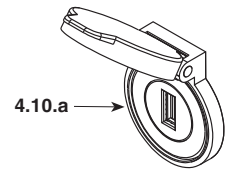


HF2417HM •

HF2417HT •

HF2625H

- This socket can charge USB devices.
- It is only used for recharging.
- The socket has no communication function with the connected USB device.



- The socket is only live when the key (4.4) is in the «ON» position.
- Recharge the USB device with the engine running to avoid draining the battery.
- Do not charge the USB accessory in wet or rainy conditions. If used in these conditions, the warranty will be invalidated and the manufacturer will not be held liable for any problems.
- Do not open the USB plug in the rain or in dusty areas.
- Do not use any equipment while moving or cutting.
- Before connecting the equipment to the auxiliary socket, make sure all necessary data have been saved. If data is deleted while using the USB port, the manufacturer accepts no liability.

4.10.b USB ACCESSORY HOLDER

▶ **HF2417HM• HF2417HT• HF2625H♦**

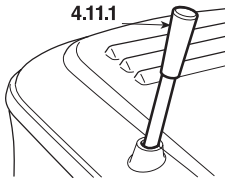
Support to hold the USB accessory



4.11 GRASS CATCHER TIPPING CONTROL

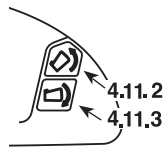
▶ **HF2•••HB• HF2•••HM•**

The grass catcher may be tipped to empty by pulling the lever (4.11.1), which can be extracted from its housing.



▶ **HF2•••HT•**

To empty the grass catcher, press the button (4.11.2) and hold it down until the bag reaches its highest position. (☛ 5.4.6).



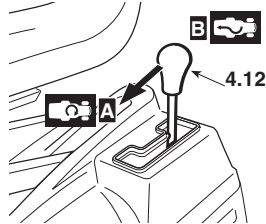
The grass catcher returns to the working position by pressing the button (4.11.3), keeping it pressed until the pawl hooks into place and the control motor stops.

4.12 "MULCHING" ENGAGE LEVER

▶ **HF2417HM• HF2417HT• HF2625H♦**

"Mulching" is engaged with the lever.

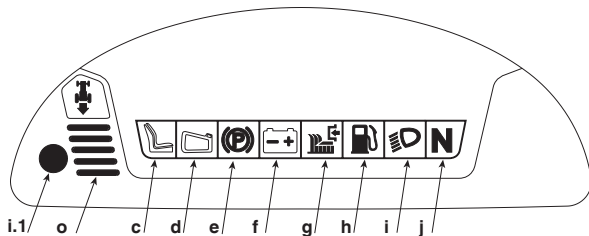
«A» = function engaged
«B» = function disengaged



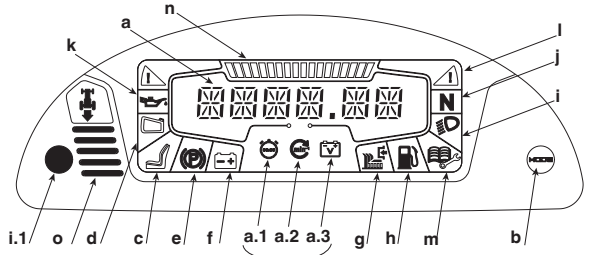
- Only move the gear shift when the cutting means is disengaged.
- With the "mulching" function engaged, the exit guards must always be fitted (grass catcher or discharge guard) (☛ 5.3.5).

4.13 INDICATOR LIGHTS AND AUDIBLE WARNING DEVICE ON THE CONTROL PANEL

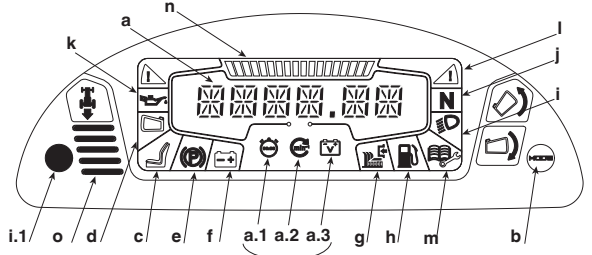
▶ **HF2317•••**



▶ **HF2417HB•/HM• HF2625HM•**



▶ **HF2417HT• HF2625HT•**



When the key (4.4) is turned in the «ON» position, all the lamps light on at the same time for about one second (with a brief sound warning) to indicate that the machine is working properly.

The display (a) enters into "information" mode and by using the MODE (b) button it is possible to select the following functions:

- a.1) **Hour counter:** Alphanumeric digits show the hours driven, divided into hours and tenths of hours. The unit of measurement is followed by the letter h;

▶ **HF2625•••**


- a.2) **RPM counter:** indicates the engine rotational speed by numerical values.
Displayed value:
< 1600 min⁻¹ engine at minimum speed
> 2600 min⁻¹ travelling speed, cutting speed
- a.3) **Voltmeter:** The alphanumeric digits show the battery voltage.

Briefly press the MODE button and release it to turn the icons a.1, a.2, a.3 on in sequence. The alphanumeric digits on the display show the data associated with the selected icon, the last digit is reserved for the unit of measurement.

Do not use RPM counter value to set engine speed.

Afterwards, when a lamp comes on, it indicates:

- c) the operator is absent;
- d) grass catcher missing;
 - If it flashes, it means that the grass catcher is full and needs to be emptied.
- e) parking brake engaged;
- f) Battery not fully recharged: Seek out the causes in chapter 7 of this manual;
 - If it is blinking, it means that the battery is reaching the over-voltage threshold; stop the machine immediately, disconnect the battery and contact an authorised service centre.
- g) cutting means engaged;

h)  fuel in reserve: indicates that there are about 1.5 litres left in the tank, sufficient for about 30-40 minutes of normal work.


i)  headlights on;


- i.1) The sensor inside the control panel controls the automatic switching on of the headlights after a few seconds of darkness and their switching off after a few seconds of brightness. To avoid unwanted switching on, keep the sensor area clean and do not place any rags or objects on the control panel.

The brightness level of the headlights may drop for a few seconds due to a power-loss during start-up.

WARNING! Do not look directly at the LED headlight. It may adversely affect the eyes.

j) **N** transmission in “neutral”.

k)  engine lubrication anomalies: stop the engine immediately, check the oil level (5.3.3) and contact your dealer if the problem persists.

l)  The inclination of the machine has reached a non-recommended gradient

NOTE This icon is only informative and helps the user to know the angle of inclination of the machine. The light may light up in the event of abrupt start/stop or sudden steering. Avoid these types of actions.

NOTE Assemble all components correctly following the assembly instructions described in the manual otherwise the tilt indicator may not work properly.

The light timing of the icon can be influenced by the weight of the operator, the weight of the grass catcher and the tyre pressure.

It is possible to change the light timing when an optional accessory is mounted.

The calibration of the sensor used for the light function must be performed by your service provider in order for it to function correctly.

NOTE If the lamps light up often in wrong situations, please contact your Dealer (for example, the icon lights up with the machine on a flat surface or on a low slope).

m)  Maintenance needed.


As soon as the indicator light illuminates, the hourly intervention threshold appears on the display as a code:

M20 = Maintenance in 20 hours

M50 = Maintenance in 50 hours

M100 = Maintenance in 100 hours

M300 = Maintenance in 300 hours

Maintenance work to be performed for each hourly threshold is specified in ( 6.2).

The maintenance code remains on the display until the engine is turned on or the display functions are changed. The maintenance light instead remains on regardless of the engine status or display functions.

If more than one intervention threshold is reached at the same time, the corresponding maintenance codes alternate on the display every 2 seconds, in ascending order.

After each maintenance, reset the operation, otherwise both the intervention code and the icon will remain on the display and the maintenance interval will not be accurate.

To reset the operation:

- Press and hold “MODE” button (4.13.b) for more than 10 seconds, with the key in the «ON» position and the engine off.


The maintenance code and the icon will be displayed again when the next maintenance hourly threshold is reached.

If the maintenance instructions are reset before the hourly intervention threshold is reached, the maintenance schedule is still displayed at the first useful interval. In this case, reset the operation again if the maintenance has already been performed.

 **HF2417...**

- -
 -
 -
 -
 -
 -
 -
- If the maintenance instructions cannot be reset immediately after the engine has stopped, wait until the battery voltage drops below 12.7V. Then try to check the maintenance code.

 **HF2625...**

- -
 -
 -
 -
- n)  Engine RPM indicator: The notches displayed on the graph scale increase as the engine RPM increases. The graphic indicator and the numerical value on the display (a.2) change simultaneously.

o) There are two types of sound warnings:

- **continuous** signals the intervention of the electronic circuit board protection; turn the key in “OFF” position to stop the sound.
- **intermittent** Grass catcher full alert.

4.21 BRAKE PEDAL

This pedal works the brake on the rear wheels.

4.22 ACCELERATOR PEDAL

This pedal is used to engage the traction to the back wheels in forward drive and adjust the speed of the machine.

- Increasing the pressure on the pedal progressively increases the speed of the machine.

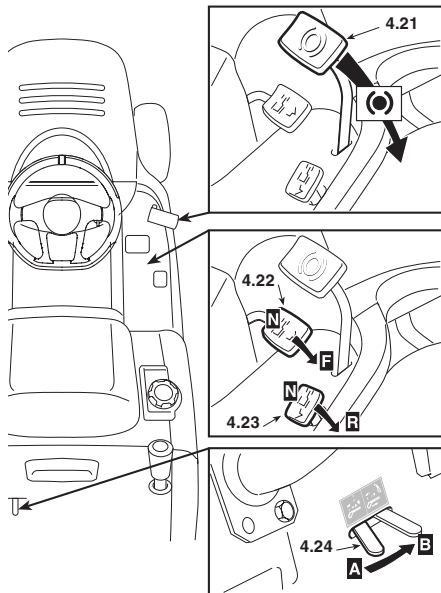
– The pedal automatically goes into neutral «N» when released.

– The “neutral” condition «N» is shown by the lighting of a pilot lamp (4.13.j).

4.23 REVERSE PEDAL

This pedal is used to engage the wheel drive in reverse and adjust the speed of the machine.

- Increasing the pressure on the pedal progressively increases the speed of the machine.
- The pedal automatically goes into neutral «N» when released.
- The “neutral” condition «N» is shown by the lighting of a pilot lamp (4.13.j).



⚠ WARNING!

Reverse must be engaged when the machine has stopped.

NOTE

If one of the traction pedals is operated with the parking brake (4.5) engaged, the engine stops.

4.24 LEVER TO RELEASE THE HYDROSTATIC TRANSMISSION

This lever has two positions as shown on the label:



«A» = Transmission engaged: for all usage conditions, when moving and during cutting;



«B» = Transmission disengaged: this makes it much easier to move the machine by hand, **with the engine turned off.**

5. OPERATING INSTRUCTIONS

5.1 SAFETY RECOMMENDATIONS

⚠ DANGER!

The machine must only be used for the purpose for which it was designed (cutting and collection of grass).

Using the machine in any other way is considered "improper use" which will invalidate the warranty, relieve the manufacturer from all liabilities, and the user will consequently be liable for all and any damage or injury to himself or others. Examples of improper use may include, but are not limited to:

- transporting people, children or animals on the machine or on a trailer;
- towing or pushing loads without the use of the specified attachment for towing;
- using the machine for riding over unstable, slippery, icy, stony, rough, marshy ground or puddles that do not allow the consistency of the ground to be assessed;
- using of the machine for leaf or debris collection;
- using the cutting means on surfaces other than grass.

⚠ DANGER!

Do not tamper with or remove the safety devices installed on the machine. REMEMBER THAT THE USER IS ALWAYS RESPONSIBLE FOR DAMAGE AND INJURIES TO OTHERS.

Before using the machine:

- read the general safety regulations (☛ 1.1), paying particular attention to driving and cutting on slopes;
- carefully read the instructions for use, become familiar with the controls and on how to quickly stop the cutting means and engine.
- never put your hands or feet next to or beneath the rotating parts and always keep away from the exit.

Do not use the machine when in a precarious state of health or under the effect of medicines or other substances that can reduce your reflex actions and your ability to concentrate.

It is the user's responsibility to assess the potential risk of the area where work is to be carried out, as well as to take all the necessary steps to ensure his own safety and that of others, particularly on slopes or rough, slippery and unstable ground.

Do not leave the machine stopped on high grass with the engine running to avoid the risk of starting a fire.

⚠ WARNING!

This machine must not be used on slopes greater than 10° (17%) (☛ 5.5).

IMPORTANT

All the references relating to the positions of controls are described in chapter 4.

5.2 WHY THE SAFETY DEVICES CUT IN

The safety devices work in two ways:

- they prevent the engine from starting if all the safety requirements have not been met;
- by stopping the engine if even just one of the safety requirements is lacking.

To start the engine it will be necessary that:

- the transmission is in “neutral”;
- all the cutting means are correctly in place;
- the operator is seated.

The engine stops when:

- the operator leaves his seat;
- the grass catcher is lifted or the discharge guard removed without disengaging the cutting means;
- switch to reverse gear with the cutting means engaged. This eventuality can be excluded by pressing and holding button 4.7.
- the forward drive or the reverse is engaged with the parking brake applied.

The table below shows various operating conditions, **highlighting** why the safety device shuts down the engine.

OPERATOR	GRASS CATCHER	CUTTING MEANS	TRANSMISSION	BRAKE	ENGINE
A) CONTROL PANEL SWITCHED ON (Ignition key in «ON» position)					
Seated	YES	Disengaged	«N»	Engaged	Stopped
Seated	NO	Disengaged	«N»	Disengaged	Stopped
B) STARTING (Ignition key on «START» position)					
Seated	-/-	Disengaged	F/LR (**)	Engaged	DOES NOT start
Seated	-/-	Engaged	«N»	Engaged	DOES NOT start
None	-/-	Disengaged	«N»	Disengaged	DOES NOT start
C) WHILE DRIVING (Ignition key on «ON» position)					
Seated	YES	Disengaged	F/LR (**)	Engaged	Stops
None	YES	Disengaged	«N»	Disengaged	Stops
D) WHEN CUTTING (Key in «ON» position)					
Seated	NO	Engaged	-/-	Disengaged	Stops
Seated	YES	Engaged	R	Disengaged	Stops*
None	YES	Disengaged	«N»	Disengaged	Stops
None	YES	Engaged	-/-	Engaged	Stops

* This eventuality can be excluded by pressing and holding button 4.7

** F: Forward gear engaged - R: Reverse gear engaged

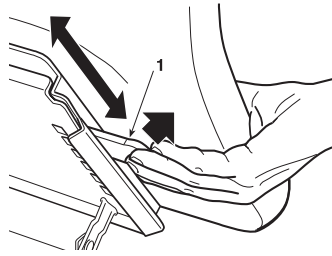
5.3 PRELIMINARY OPERATIONS BEFORE STARTING WORK

Before starting to work, it is necessary to carry out several checks and operations to ensure you can work efficiently and in maximum safety.

5.3.1 Seat adjustment

The seat is adjustable and slides into six different positions.

Adjustment is made by lifting the handle (1) and sliding the seat until it is locked in the required position.



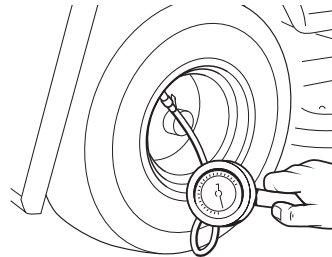
5.3.2 Tyre pressure

Unscrew the valve caps and connect a compressed air line with a gauge to the valves.

Having the right tyre pressure is the main condition for ensuring that the cutting-means assembly is horizontal and mows evenly.

The pressures are:

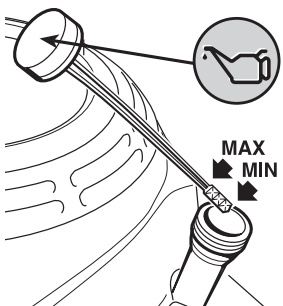
FRONT	1.5 bar (13 x 5.00-6)
	1.0 bar (15 x 6.00-6)
REAR	1.2 bar



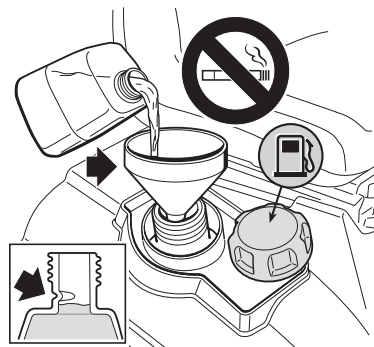
5.3.3 Filling with oil and fuel

IMPORTANT Use SAE 10W30 oil and unleaded petrol (green) Euro 95.

IMPORTANT Running the engine with insufficient oil can cause very serious damage. Using non-detergent or two-stroke oil can shorten engine life.



On a flat surface with the engine off, remove the cap with the dipstick and dry it. Push it fully in without screwing it on, then pull it out to check the oil level. If the level is near or below the lower limit (MIN) of the dipstick, top up with recommended oil until the upper limit (MAX) is reached. Screw the cap with the dipstick back on.



Use a funnel to refuel.

Avoid filling the tank completely; the maximum level is indicated on the neck of the tank.

The tank's capacity is indicated in chapter 10.

IMPORTANT Damages to the drive system or engine performance caused by negligent storage operations are not covered by the warranty.

NOTE If petrol has been spilled on the body, clean up all traces immediately.

⚠ DANGER! Refuelling should be carried out in an open or well-ventilated area with engine stopped. Always remember that petrol fumes are inflammable. **DO NOT TAKE A NAKED FLAME TO THE TANK'S OPENING IN ORDER TO SEE THE TANK'S CONTENTS AND DO NOT SMOKE WHEN REFUELLING.**

• Petrol containing alcohol

IMPORTANT If petrol containing alcohol is used, make sure that its octane number is at least equal to the index recommended by Honda (octane index 86). There are two types of petrol/alcohol mixtures: one containing ethanol and the other containing methanol.

Fuel specifications necessary to maintain the performance of the emission control system: E10 fuel mentioned in EU legislation. Never use gasoline/alcohol mixtures containing more than 10% ethanol. Do not use petrol with a methanol level (methyl alcohol or wood alcohol) higher than 5% and without solvents or methanol corrosion inhibitors.

IMPORTANT

- Damage caused to the fuel system or engine performance problems resulting from the use of petrol containing more than the recommended level of alcohol are not covered by the warranty.
- Before refuelling at a not well known petrol station, find out if the petrol contains alcohol and, if so, what type of alcohol is used and in what percentage.

If unwanted symptoms of operation are detected while using a specific gasoline, go back to a gasoline with an alcohol level definitely lower than the recommended amount.

5.3.4 Checking the braking system

Make sure that the machine's braking capacity is adequate for the conditions of usage. Avoid starting the machine if you have doubts on the brake efficiency. If necessary, adjust the brake (☛ 6.3.4) and if you still have doubts on its efficiency, consult your dealer.

5.3.5 Fitting the exit guards (grass catcher or rear discharge guard)

⚠ WARNING! Never use the machine without having fitted the exit guards!

▶ HF2•••HT•

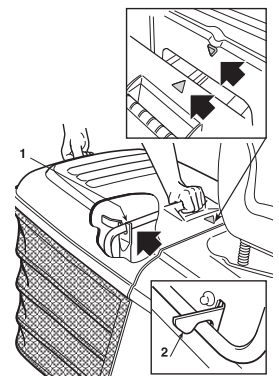
- The guards must be fitted with the tipping levers lowered.

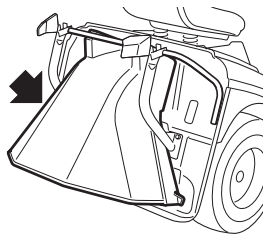
Hook on the grass catcher inserting the upper frame tube in the holes on the two supports (1).

To centre the grass catcher correctly, align the two symbols on the grass catcher and on the back plate

Make sure that the lower pipe of the grass catcher opening is attached to the pawl (2). If the hook is difficult or too loose, adjust the return spring (☛ 6.3.6).

If you decide to work without the grass catcher, a discharge guard kit is available upon request (☛ 8.2). This has to be attached to the rear plate as indicated in the instructions.





5.3.6 Checking machine safety and efficiency

1. Check that the safety devices function as described (☛ 5.2).
2. Check that the brake is in perfect working order.
3. Do not start mowing if the cutting means vibrate or if you are unsure whether they are sharp enough. Always remember that:
 - A badly sharpened cutting means pulls at the grass and causes the lawn to turn yellow.
 - A loose cutting means causes abnormal vibrations and can be dangerous.

⚠ WARNING! *Do not use the machine if you are unsure whether it is working safely or efficiently. If in doubt, contact your Dealer immediately to make the necessary checks or repairs.*

5.4 USING THE MACHINE

5.4.1 Starting

⚠ DANGER! *All starting operations have to be effected in an open or well ventilated area. ALWAYS REMEMBER THAT EXHAUST GASES ARE TOXIC!*

To start the engine

- put the transmission into neutral («N») (☛ 4.22);
- disengage the cutting means (☛ 4.8);
- apply the parking brake on sloping ground;
- If cold starting: engage the Choke (☛ 4.2);
- if the engine is already warm, just put the lever between «SLOW» and «FAST»;
- insert the ignition key and turn to «ON» to make electrical contact, then turn to «START» to start the engine;
- release the ignition key once the engine has started.

When the engine has started, put the throttle in the «SLOW» position.

IMPORTANT *The choke must be closed as soon as the engine is running smoothly. Using it when the engine is already warm can foul the spark plugs and cause the engine to run erratically.*

NOTE *If there are engine starting problems, do not insist as you can risk running the battery flat and flooding the engine. Turn the key to the «OFF» position, wait for a few seconds and then repeat the operation. If the malfunction persists, refer to the engine manual and chapter «7» in this manual.*

IMPORTANT *Always bear in mind that the safety devices prevent the engine from starting if safety requirements have not been met (☛ 5.2). In these cases, once the situation has been corrected, the key must first be turned back to «OFF» before the engine can be restarted.*

5.4.2 Forward drive without mowing

⚠ WARNING! *This machine has not been approved for use on public roads. It must be used (as indicated by the highway code) in private areas closed to traffic.*

When moving the machine:

- disengage the cutting means;
- bring the cutting-means assembly to the highest position (position «7»).

Put the throttle lever between the «SLOW» and «FAST» positions. Disengage the parking brake and release the brake pedal (☛ 4.21). Press the drive pedal (☛ 4.22) forward and reach the required speed by gradually increasing pressure on the pedal and acting the throttle.

⚠ WARNING! *Drive must be engaged as described (☛ 4.22) to prevent sudden engagement from causing tipping up and loss of control of the vehicle, particularly on slopes.*

5.4.3 Braking

First reduce the machine's speed by reducing the engine's r.p.m., and then press the brake pedal (☛ 4.21) to slow down the machine until it stops.

NOTE *The machine already slows down considerably by just releasing the drive pedal forward or reverse.*

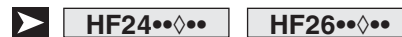
5.4.4 Reverse

Reverse MUST be engaged only when the machine has stopped.

When the machine is stopped, start the reverse movement by pressing the drive pedal in the «R» direction (☛ 4.23).

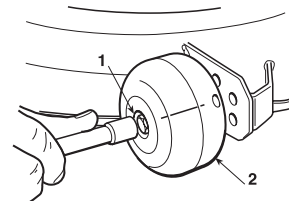
5.4.5 Grass cutting

On reaching the area to be mowed, check that the grass catcher or the discharge guard are correctly fitted in place.



The function of the anti-chipping wheels is to maintain a space between the ground and the edge of the cutting means assembly to prevent the latter from damaging the turf on uneven surfaces. Each anti-chipping wheel on the cutting-means assembly can be fitted at two different heights: in the lowest position it serves to maintenance the space; its efficacy is excluded when in the highest position.

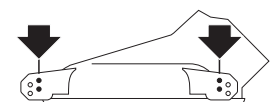
To change position unscrew and extract the pin (1) and reposition the wheel (2) in the hole higher or lower of the row indicated in the illustration.



⚠ WARNING! *This should always be performed on all four wheels, WITH THE ENGINE OFF AND CUTTING MEANS DISENGAGED.*

To start cutting:

- move the throttle to «FAST»;
- bring the cutting-means assembly to the highest position;
- engage the cutting means (☛ 4.8);
- start moving forwards on the grass very slowly and with utmost caution, as already described;
- adjust the forward speed and the cutting height (☛ 4.6) according to the lawn condition (height, density and dampness of the grass). On flat ground, these general conditions can be followed:



High and dense grass - wet lawn	2.5 km/h
Average condition grass	4 ... 6 km/h
Low grass - dry lawn	over 6 km/h

The speed is controlled in a gradual and progressive way by the pressure on the drive pedal.

⚠ WARNING! *When cutting on sloping ground, the forward speed must be reduced to ensure safe conditions (☛ 1.2 - 5.5).*

Whatever the conditions, always reduce the speed if you notice a drop in engine speed – if you travel too fast compared to the amount of grass being cut, you will not be able to mow the grass well.

Disengage the cutting means and raise the cutting-means assembly as high as possible whenever you need to get past an obstacle.

5.4.6 Emptying the grass catcher

Do not let the grass catcher become too full as this may block the discharge chute.

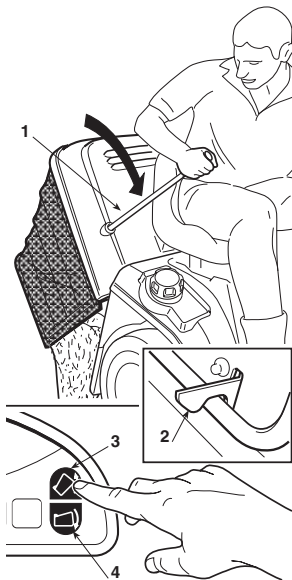
An intermittent acoustic signal and the flashing of the lamp (4.13.d) indicate that the grass catcher is full; at this point:

- lower the engine speed;
- shift into neutral (N) (☛ 4.22 or 4.23) and stop forward movement;
- engage the parking brake on slopes;
- disengage the cutting means (☛ 4.8) and the warning sound will stop;

▶ **HF2...HB** **HF2...HM**

NOTE *The emptying of the grass catcher can only be done with the cutting means disengaged, otherwise the engine stops.*

- Pull out the lever (1) (☛ 4.11.1) and tip up the grass catcher to empty it;
- close up the grass catcher so that it hooks onto the pawl (2) and put the lever (1) back into place.



▶ **HF2...HT**

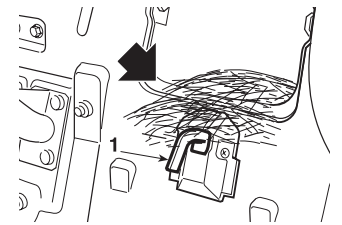
NOTE *The grass catcher tipping control only operates with the cutting means disengaged*

- with the operator seated, keep the button (3) (☛ 4.11.2) pressed until the grass catcher is completely tipped over;
- once emptied, keep the button (4) (☛ 4.11.3) pressed until the grass catcher has lowered completely while checking that the pawl (2) stays hooked on.

NOTE *At times the audible warning may be heard at the moment of engaging the cutting means even when the grass catcher has been emptied. This is due to grass-cuttings left on the sensor (1) of the micro-switch. To stop the signal disengage the cutting means and then immediately engage it again. If the audible warning signal persists, stop the engine, remove the grass catcher and free the sensor of any remaining grass-cuttings (1).*

5.4.7 Unblocking the discharge chute

Cutting very tall or wet grass, particularly at excessively high speed, can clog up the discharge chute. If this happens proceed as follows:



- stop forward movement immediately, disengage the cutting means and stop the engine;
- remove the grass catcher or the discharge guard;
- remove the grass cuttings; you can reach them from the discharge chute opening.

⚠ WARNING! *This job must only be performed with the engine turned off.*

5.4.8 “Mulching”

“Mulching” implies recycling grass inside the cutting-means assembly and at the same time finely chopping the mown grass and leaving it on the lawn.

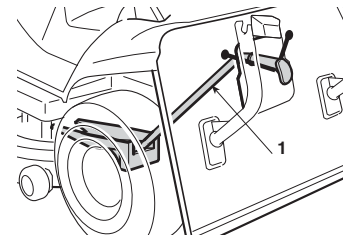
If the mown grass is scattered around the cutting-means assembly or left in heaps during the mulching operation, the grass may be too long or cut too short. The mulching cutting height must be set to about 1/3 of the grass height (maximum 10-13 cm before mulching).

▶ **HF2317... HF2417HB**

This accessory (available upon request) must be mounted as shown in the relative instructions.

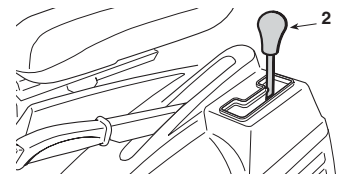
▶ **HF2417HM HF2417HT HF2625H**

The machine is equipped with a mechanism to switch between grass collection and mulching functions. Have a good understanding of these two functions' operating conditions before using them



“Mulching” is engaged or disengaged via a mulching engage lever (2) (☛ 4.12).

Operate the mulching engage lever with the grass catcher removed from the machine, to make sure it works freely and it is not obstructed by grass that could affect its operation. Use a stick or similar tool to remove any grass from in front of the hatch.



IMPORTANT *Over-stressing the lever with the cable not correctly adjusted or with grass deposits can cause the cable to break or the support to be deformed due to overloading. If the lever is over-stretched, do not force, but contact your Dealer.*

After mowing

Once the cutting session is over, it is recommended to clean the cutting-means assembly, the discharge chute and the grass catcher to avoid any inconveniences and ensure trouble-free functioning the next time the machine is used.

Stop the engine, remove the key, apply the parking brake and remove the grass catcher.

Visually inspect the discharge chute to check that the discharge chute is not clogged with grass (remove any grass cuttings clogging the discharge chute).

5.4.9 End of mowing

When you have finished mowing, disengage the cutting means, reduce the engine speed and ride the machine with the cutting-means assembly in the highest position.

5.4.10 End of work

Stop the machine, put the throttle lever in the «SLOW» position and turn off the engine by putting the ignition key into the «OFF» position. This operation causes the fuel valve to close automatically.

⚠ WARNING! *Always take out the ignition key before leaving the machine unattended!*

5.4.11 Cleaning and storage

Put the machine away in a dry place protected from the weather and, if possible, cover it with a cloth. After each mowing session, clean the outside of the machine, empty the grass catcher and shake it to remove residual grass and earth.

Look for and eliminate all the grass that has accumulated inside the engine compartment and above the cutting-means assembly, to keep the machine at an optimal level of efficiency.

⚠ WARNING! *Always empty the grass catcher and do not leave containers full of cut grass inside storage areas.*

Clean the plastic parts of the body with a damp sponge using water and detergent, taking care not to wet the engine, the electrical parts or the control panel located under the control panel.

IMPORTANT *Never use hose nozzles or harsh detergents for cleaning the body and engine!*

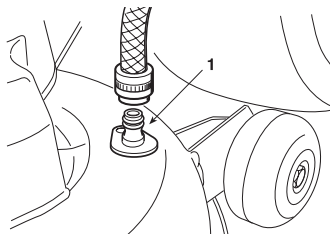
When washing the inside of the cutting-means assembly and the discharge chute, the machine must be on firm ground with:

- the grass catcher or the discharge guard fitted in place;
- the operator seated;
- the engine running;
- the transmission in neutral;
- the parking brake engaged;
- the cutting means engaged.

Connect a water hose to each of the pipe fittings (1) one at a time and run water through each one for a few minutes, with the cutting means moving.

When washing, the cutting-means assembly should be lowest position down. Now remove the grass catcher, empty and rinse it, then place it where it can dry quickly.

IMPORTANT *In order not to compromise the efficiency of the electromagnetic clutch: do not let the clutch come*



into contact with oil;

- do not spray pressurised water directly on the clutch unit;
- do not clean the clutch with petrol.

5.4.12 Disassembling the belt guard and cleaning the cutting-means assembly

⚠ WARNING! *Do not let debris and dried grass accumulate in the upper part of the cutting-means assembly in order to maintain maximum machine efficiency and safety levels. This operation should be performed 2-3 times a year and before storing the machine away for a period of time (by way of example only, at the end of the season).*

⚠ WARNING! *Your machine is fitted with two transmission chain guards (one on the right and one on the left) to prevent accidental contact during use.*

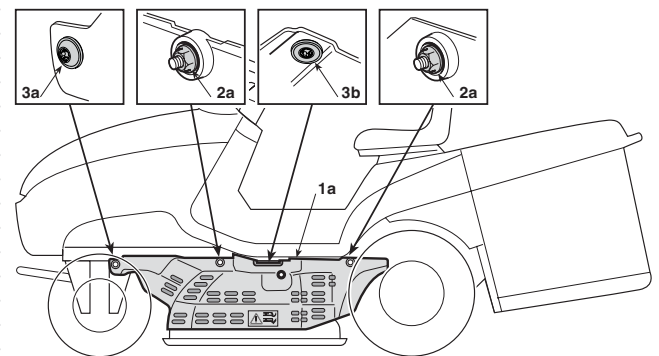
▶ HF2317♦♦

The left guard (1a) is fixed by:

- two nuts (2a), unscrew using a 10 mm key;
- a front screw (3a) and a central screw (3b), unscrew using a Torx T30 key;

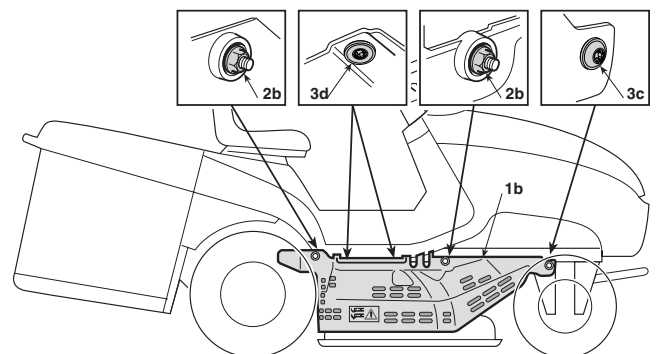
The right guard (1b) is fixed by:

- two nuts (2b), unscrew using a 10mm key;
- a front screw (3c) and a central screw (3d), unscrew using a Torx T30 key.



NOTE

When removing the left guard (1a) make sure you do not disconnect the hose from the fitting used to clean the inside of the cutting-means assembly.



When remounting the left and right guards, replace all the nuts (2a) and (2b) and then all the screws,

▶ HF24♦♦♦

▶ HF26♦♦♦

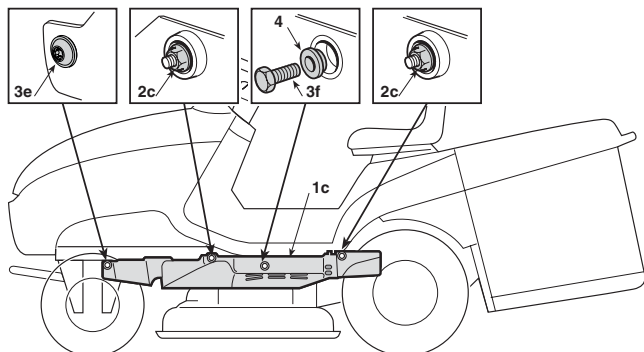
The left guard (1c) is fixed by:

- two nuts (2c) unscrew using a 10 mm key;
- a front screw (3e), unscrew using a Torx T30 key;

- a central screw (3f) with a spacer (4), unscrew using an 10 mm key;

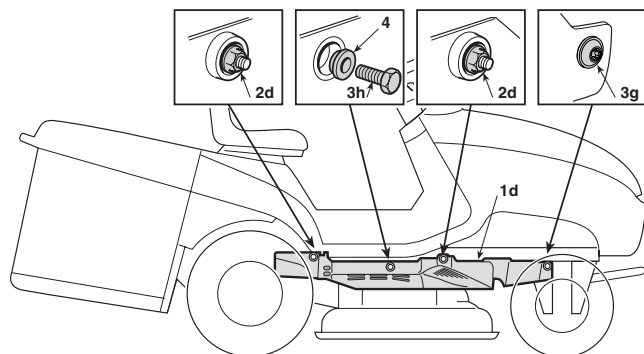
The right guard (1d) is fixed by:

- two nuts (2d) unscrew using a 10 mm key;
- a front screw (3g), unscrew using a Torx T30 key.
- a central screw (3h) with a spacer (4), unscrew using an 10 mm key;



When remounting the left and right guards, make sure the spacers (4) are fitted correctly below the screws (3f) and (3h).

To disassemble each guard and clean the cutting-means assembly: bring the cutting-means assembly to position «1» (completely low position);



- use suitable keys to unscrew the nuts and all the screws, on the left and right, and remove the left and right guards;
- use a jet of compressed air to remove any debris and dirt from the upper section of the cutting-means assembly.

WARNING! *The machine must not be used if both guards are not correctly installed. Always replace any damaged guards.*

5.4.13 Storage and inactivity for long periods

If the machine is likely to be unused for a long period of time (more than 1 month), disconnect the battery ground cable (black). In addition, lubricate all joints as shown (6.2.1).

WARNING! *Carefully remove any dry grass cuttings which may have collected around the engine or silencer to prevent their catching fire the next time the machine is used!*

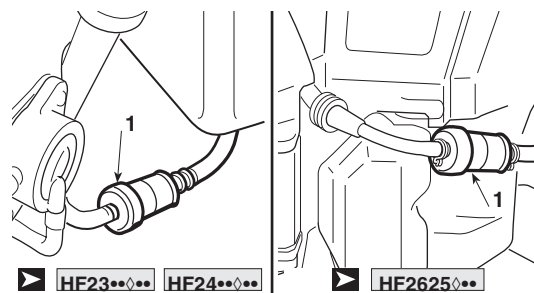
Empty the fuel tank by disconnecting the tube situated at the inlet of the fuel filter (1).

Reconnect the fuel tube.

Loosen the carburetor drain screw (2) and drain the fuel into a suitable container. Tighten the drain screw.

Remove the two spark plugs and pour a tablespoon of clean engine oil into the cylinders. Run the engine for 1 to 2 seconds using the starter motor, by turning the ignition key. This will distribute the oil

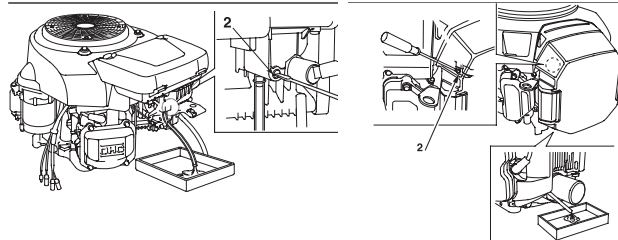
evenly in the cylinders.
Refit the spark plugs (6.4.5).



HF23**

HF24**

HF2625



HF23**

HF24**

HF2625



DANGER! *Petrol is highly flammable. Store the fuel in special containers. Always put the tank and fuel container caps back on and tighten well.*

IMPORTANT *The battery must be kept in a cool and dry place. Before a long storage period (more than 1 month), always charge the battery using the specific battery charger supplied with the machine and then recharge before using again (6.2.3).*

The next time the machine is used, check that there are no fuel leaks from the tubes or carburettor.

5.4.14 Control panel protection device

The electronic circuit board has a self-resetting protector which breaks the circuit if there is a fault in the electrical system. This will stop the engine and is signalled by an acoustic sound alert that is deactivated only by removing the key.

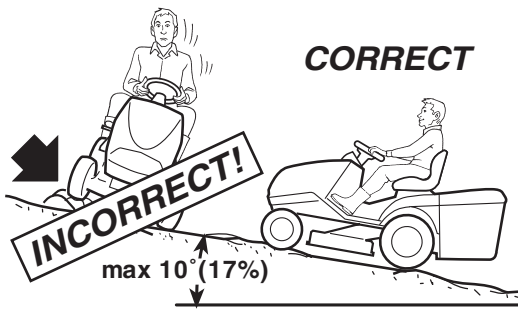
The circuit automatically resets after a few seconds but the cause of the fault should be ascertained and dealt with to avoid reactivating the protection device.

IMPORTANT *To avoid activating the protection device:*

- do not invert the leads on the battery terminals;
- do not use the machine without its battery or damage may be caused to the charge regulator;
- be careful not to cause short-circuits.

5.5 USING ON SLOPES

Only mow on slopes with gradients up to the maximum already mentioned (**max 10° - 17%**). Lawns on a slope have to be mowed moving up and down and never across them. When changing direction, take great care that the wheels facing up the slope do not hit any obstacles (such as stones, branches, roots, etc.) that may cause the machine to slide sideways, tip over or make you lose control. The icon (4.13.I) shows that the inclination angle of the machine approach the recommended slope limit.



⚠ DANGER! **REDUCE SPEED BEFORE ANY CHANGE OF DIRECTION ON SLOPES, and always apply the parking brake before leaving the machine at a standstill and unattended.**

⚠ WARNING! **Take care when beginning forward movement on sloping ground to prevent the risk of tipping up. Reduce the forward speed before going on a slope, particularly downhill.**

⚠ DANGER! **Never switch to reverse gear to decrease speed when going downhill: this could cause loss of control of the machine, especially on slippery ground.**

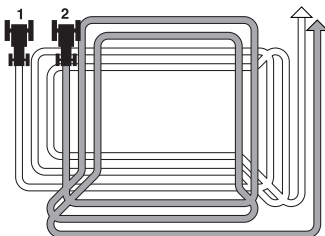
Go down slopes with your foot off the drive pedal (➡ 4.22) to use the braking effect of the hydrostatic transmission when the transmission is not engaged.

5.6 TRANSPORT POSITION

⚠ WARNING! **If the machine must be transported on a truck or trailer, use ramps with suitable resistance, width and length. Load the machine with the engine switched off, without a driver and pushed by an adequate number of people. During transport, lower the cutting-means assembly, engage the parking brake and fasten the machine securely to the hauling device with ropes or chains.**

5.7 ADVICE ON HOW TO OBTAIN A GOOD CUT

1. To keep a lawn green and soft with a good appearance, it should be cut regularly without damaging the grass.
2. It is always better to cut the grass when dry.
3. The cutting means must be in good condition and well sharpened so that the grass is cut straight without a ragged edge that leads to yellowing at the ends.
4. The engine must run at full speed, both to ensure a sharp cut of the grass and to get the necessary thrust to push the cuttings through the discharge chute.
5. The frequency of mowing should be in relation to the rate of growth of the grass, which should not be left to grow too much between one cut and the next.
6. During hot and dry periods, the grass should be cut a little higher to prevent the ground from drying out.
7. If the grass is very tall, it should be cut twice in a twenty-four hour period. The first time with the cutting means at maximum cutting height, possibly reducing the cutting width and the second cut at the height desired.
8. The appearance of the lawn will improve if you alternate the cutting in



both directions.

9. If the discharge chute tends to get blocked with grass, you should reduce the forward speed as it may be too high for the condition of the grass. If the problem persists, the probable causes are either badly sharpened cutting means or deformed fins.
10. Be very careful when mowing near bushes or kerbs as these could distort the horizontal position of the cutting-means assembly and damage its edge as well as the cutting means.

5.8 SUMMARY OF MAIN STEPS TO FOLLOW WHEN USING THE MACHINE

To...	You will need to ...
Start the engine (☛ 5.4.1)	Ensure that all the conditions allowing starting are met, and then turn the key.
Go forward (☛ 5.4.2)	Apply the throttle; Press the drive pedal in forward gear (☛ 4.22).
Brake or stop (☛ 5.4.3)	Reduce the engine speed and press the brake pedal.
Reverse (☛ 5.4.4)	Stop the machine; Press the reverse pedal (☛ 4.23).
Cut the grass (☛ 5.4.5)	Fasten the grass catcher or the rear discharge guard; Adjust the height of the anti-chipping wheels (excluded: HF2317**); Adjust the throttle; Engage the cutting means; Adjust the cutting height; Press the drive pedal in forward drive (☛ 4.22);
Empty the grass catcher (☛ 5.4.6)	Stop moving forwards, disengage the cutting means and use the tipping controls to tip up the grass catcher.
Unblock the discharge chute (☛ 5.4.7)	Operate the cutting height adjusting lever several times to shake and free the discharge chute. Stop moving forwards, disengage the cutting means and turn off the engine. Remove the grass catcher and clean the chute.
Engage "Mulching" (☛ 5.4.8)	<p>☛ HF2317** HF2417HB* This accessory (available upon request) must be mounted as shown in the relative instructions.</p> <p>☛ HF2417HM* HF2417HT* HF2625** "Mulching" is engaged or disengaged via an appropriate lever (☛ 4.12).</p>
Finish mowing (☛ 5.4.9)	Disengage the cutting means and reduce the engine speed.
Stop the engine (☛ 5.4.10)	Reduce the engine speed, wait a few seconds, turn the key.
Store the machine (☛ 5.4.11)	Engage the parking brake, remove the key and, if necessary, wash the machine, the inside of the cutting-means assembly, the discharge chute and the grass catcher.

IMPORTANT Never get rid of used oil, fuel or other pollutants in unauthorised places!

Summary of the main situations where work may be required

Whenever ...	You will need to ...
The cutting means vibrate	Check the fasteners (☛ 6.3.1) or rebalance the cutting means (☛ 6.3.1)
The cutting means pulls out the grass and causes the lawn to turn yellow	Sharpen the cutting means (☛ 6.3.1)
The cut is uneven	Aligning the cutting-means assembly (☛ 6.3.2)
The cutting means engage unevenly	Regulate the cutting means engagement adjuster (☛ 6.3.3).
The machine does not brake	Adjust the stretcher spring (☛ 6.3.4)
Forward movement is erratic	Adjust the stretcher spring (☛ 6.3.5)
The grass catcher moves around and tends to open	Adjust the spring (☛ 6.3.6)

6. MAINTENANCE

6.1 SAFETY RECOMMENDATIONS

⚠ WARNING! Before cleaning, maintenance or repair work, take out the ignition key and read the relevant instructions. Wear suitable clothing and protective gloves when dismantling and refitting the cutting means and in all other hazardous situations for hands. Make sure the engine is cold before starting any maintenance work.

⚠ WARNING! Never use the machine with worn or damaged parts. Faulty or worn-out parts must always be replaced and never repaired. Only use genuine spare parts: those that are not of an equivalent quality may damage the machine or endanger the safety of yourself and others.

6.2 ROUTINE MAINTENANCE

6.2.1 GUIDE TO SCHEDULED MAINTENANCE

This table is to help you maintain your machine's safety and performance. It shows the main maintenance and lubrication operations and their frequency.



- Always restore the icon and the servicing threshold code (4.13.m) after performing each maintenance work.

OPERATION	ACTION	INTERVAL				
		EACH USE	3 MONTHS or 20 HOURS	6 MONTHS or 50 HOURS	1 YEAR or 100 HOURS	300 HOURS
Perform maintenance at each operating hour or month interval, depending on which occurs first						
Engine oil	Check	●				
	Change		● (1)	●		
Air filter	Check	●				
	Check			◆		
	Replacing				● (3)	● (4)
Cooling air duct grid	Check	●				
Muffler	Check	●				
Cooling fan grid	Check	●				
Battery	Charge				● (*)	
	Check electrolyte level	●				
	Check electrolyte level and acid density			●		
Tyres and tyre pressure	Check	●				
Cutting-means assembly belt	Check	●				
Transmission belt	Check		●			
Brake	Brake condition	●				
	Brake and clutch rod tightening		● (1)	● (2)		
	Brake pedal stroke			●		
	Parking brake			●		
Condition of the cutting means bolts	Inspection	●				
Tightening the cutting means bolts	Check			●	●	
Condition of the cutting means	Check	●				
Front and rear axle greasing	Greasing			●		
Spark plug	Cleaning and check				●	
	Replacing					●
Throttle cable	Checking and adjusting			●		
Tank, tube and filter	Checking and adjusting					●
Valve clearance	Check, replace if necessary					●
Engine fins and baffles	Checking and adjusting					●
Drive pedal bushing	Cleaning			●		
Mulching system	Cleaning and check	●				
	Adjustment (if necessary)					●

(*) If the machine has not been used for more than 1 month.

◆ Clean the air filter more frequently if the machine is used in dusty areas.

(1) Use this interval only for first maintenance.

(2) This interval refers to the second and subsequent maintenance.

(3) GCV530

(4) GXV690H

6.2.2 Rear axle

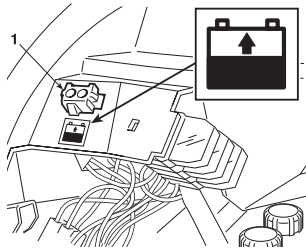
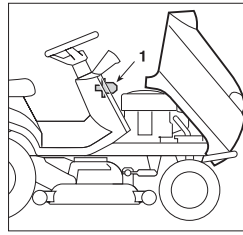
This is a sealed single unit that does not require maintenance. It is permanently lubricated and its lubricant does not need changing or topping up.

6.2.3 Battery

To ensure long life to the battery it is essential to keep it properly maintained. The machine battery must always be charged:

- before using the machine for the first time after purchase (☛ 3.1);
- before leaving the machine idle for a long period;
- before starting up the machine after a prolonged period of inactivity.

The machine comes with a connector (1) for recharging; this is connected to the corresponding connector for the special maintenance battery-charger supplied.



IMPORTANT No device other than a battery charger should be connected to this connector.

When inactive, the charge level can be kept constant by using the supplied maintenance battery charger.

IMPORTANT The charge must be maintained with the battery charger following the guidelines in the relevant operating instructions. Other recharging systems can irreversibly damage the battery.

A drained battery should be recharged as soon as possible, otherwise the battery elements may be irreparably damaged.

Periodically check the electrolyte level; for topping up, use ONLY distilled battery water.

6.3 CHECKS AND ADJUSTMENTS

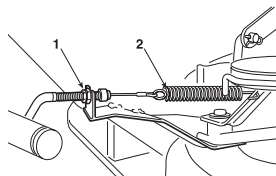
6.3.1 Removing, replacing and rebalancing of cutting means

A badly sharpened cutting means pulls out the grass, reduces the loading capacity and causes the lawn to turn yellow.

IMPORTANT To access the cutting means, remove the cutting-means assembly using a quick release system that allows easy removal from the machine.

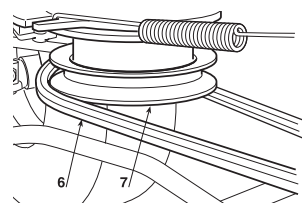
a) Removing the cutting-means assembly

Remove the side guards before removing the cutting-means assembly. (☛ 5.4.12).



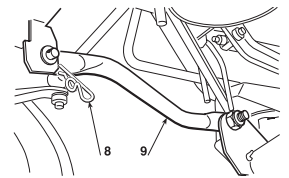
▶ HF2317♦♦

- After moving the cutting height lever to position «1», pull the engagement cable adjuster out (1) and release the spring (2).

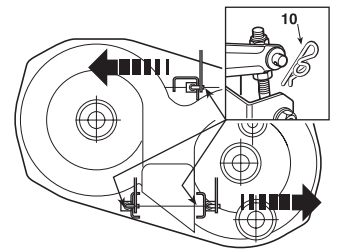


- Free the cutting means belt (6) from the clutch pulley (7).
- Pull out the two split pins (8) which secure the two connecting rods (9)

- to the frame.
- Release the three split pins (10) securing the pins to the lifting lever, being careful to not touch the nuts and locknuts so that, on reassembly it is as parallel as it was before.



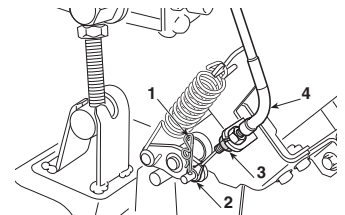
- Having checked that there is nothing in the way, the cutting-means assembly can be removed, turning it anti-clockwise so that all the pins come out of their positions.



- To assemble, perform the operations described above in reverse order making sure that the front end of the discharge chute is positioned correctly in relation to the cutting-means assembly opening.

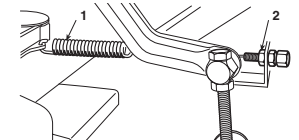
▶ HF2417HM♦ HF2417HT♦ HF2625H♦

- Remove the “Mulching” drive cable. Remove the cotter pin (1) and pull out the eyelet (2).
- Loosen the nut (3) and remove cable (4).

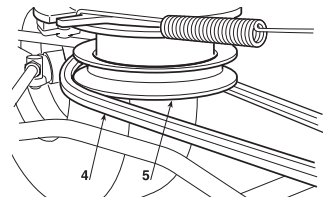


▶ HF24♦♦♦ HF26♦♦♦

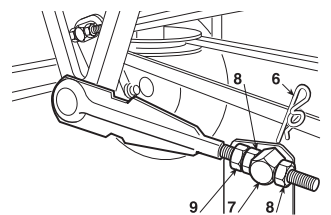
- Set the cutting height adjustment lever to position «1».



- Release the cutting means engagement spring (1).



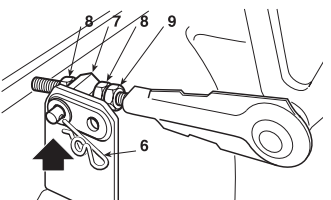
- Loosen the engagement adjuster (2) and remove it from the housing.



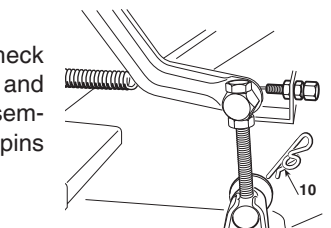
- Free the cutting means belt (4) from the clutch pulley (5).

▶ HF24♦♦♦

- Remove the two split pins (6) from the two front connecting rod pins (7), without loosening or changing the position of the nuts (8) and locknuts (9).

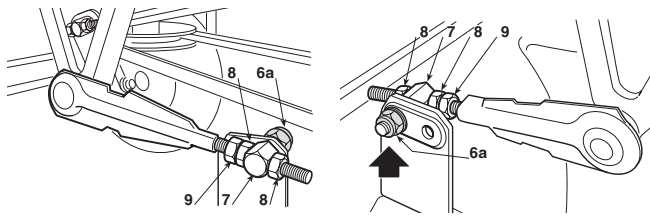


- Remove the two split-pins (10) of the rear pins. Then check that there are no obstructions and remove the cutting-means assembly, pulling it out so that all the pins come out of place.

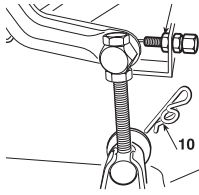


▶ HF26♦♦♦

- Remove the two nuts (6) from the two front connecting rod pins (7), without loosening or changing the position of the nuts (8) and locknuts (9).



Remove the two split-pins (10) of the rear pins. Then check that there are no obstructions and remove the cutting-means assembly, pulling it out so that all the pins come out of place.



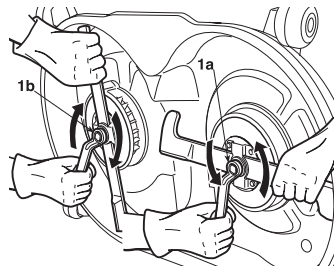
To assemble, make sure the two rear holes on the pin fasteners are used (7); perform the operations described above in reverse order making sure that the front end of the discharge chute is positioned correctly in relation to the cutting-means assembly opening.

b) Removing, replacing and rebalancing of cutting means

⚠ WARNING! All operations on the cutting means (dismantling, sharpening, balancing, remounting and/or replacing) require a certain familiarity and special tools. For safety reasons, go to a specialized centre if you do not have the right tools or experience.

⚠ WARNING! Always wear strong protective gloves to handle the cutting means.

To remove a cutting means, hold it firmly and undo the central bolt (1a - 1b) using a 15 mm key in the direction indicated by the arrow for each cutting means, noting that one of the fixing bolts has a right-hand thread and the other one has a left-hand thread.

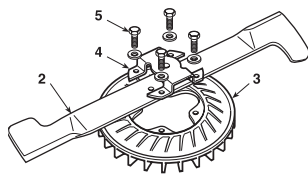


1a = screw with right thread (loosen anti-clockwise)

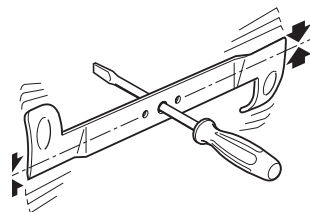
1b = screw with left thread (tighten clockwise)

The cutting means (2) is attached to the rotor (3) by a bracket (4) and four screws with washers (5).

Use a 10 mm key to loosen the four screws (5) and free the cutting means (2) from its bracket (4).



Sharpen the two cutting edges using a medium grade grinding wheel and check the balance by holding the cutting means up with a screwdriver inserted in the central hole.



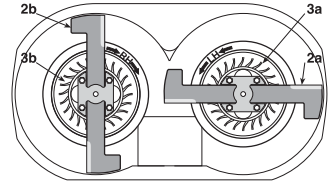
⚠ WARNING! Always replace damaged or bent cutting means; never attempt to repair them! ALWAYS USE ORIGINAL CUTTING MEANS!

Only the following pairs of cutting means can be used on this machine:

HF 2317:	2b	80395-Y09-003 (82004345/1)	-	80394-Y09-003 (82004344/1)	2a
HF 2417:	2b	72511-VK1-A11 (82004341/1)	-	72531-VK1-A11 (82004340/1)	2a
HF 2625:	2b	72511-VK1-B11 (82004343/0)	-	72531-VK1-B11 (82004342/0)	2a

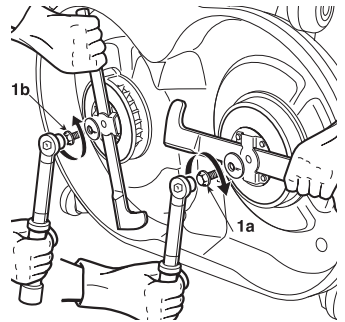
⚠ WARNING! The cutting means (2) and rotors (3) are different from each other and counter-rotating. During assembly ensure that the original positions are respected.

Reassemble each cutting means (2a - 2b) onto the respective rotor (3a - 3b), following the "RH" (right) and "LH" (left) indications printed on the rotor and inside the cutting-means assembly, then tighten the four screws (5) with the washers using a dynamometric key which is calibrated at 9.5 Nm.



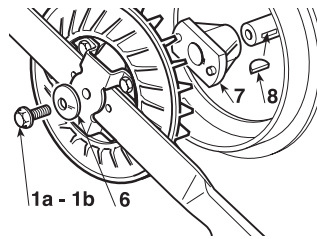
NOTE The "right" and "left" indications refer to the driving position.

⚠ WARNING! If one or both shaft hubs (7) come off when dismantling the cutting means, make sure the keys (8) are securely lodged in place. When assembling the cutting means, always follow the instructions given, making sure the cutting means fins are facing towards the inside of the cutting-means assembly and the cupped side of the elastic disc (6) is pressing against the cutting means. Tighten the fixing screws (1a - 1b) using a torque wrench set to 45-50 Nm.



1a = screw with right thread (tighten clockwise)

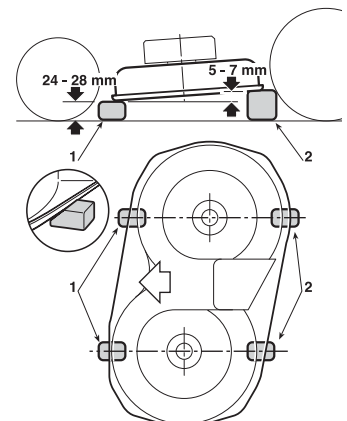
1b = screw with left thread (tighten anticlockwise)



6.3.2 Aligning the cutting-means assembly

The cutting-means assembly should be properly adjusted to obtain an evenly mown lawn.

NOTE To achieve good results from cutting, the front part should always be 5 - 7 mm lower than the rear.



- Put the machine onto a flat surface and check the tyre pressure;

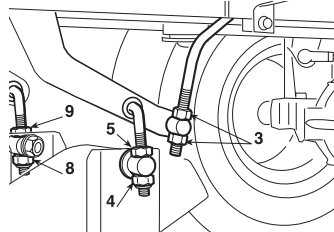
- position two 24-28 mm spacer blocks (1) under the front edge of the cutting-means assembly and two spacer blocks (2) 5-7 mm higher under the rear edge, making sure they are positioned along the centre line of the cutting means;
- shift the height adjusting lever to position «1».

▶ HF2317...

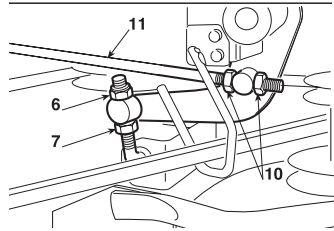
- Fully loosen the two nuts (3), the nuts (4 – 6 – 8) and the locknuts (5 – 7 – 9) of the three connecting rods until the cutting-means assembly is resting on the blocks;
- screw the two upper right nuts (6 - 8) and the lower left nut (4) until the cutting-means assembly starts rising; tighten the three locknuts (5 - 7 - 9) and turn the nuts (3) until a minimal movement of the lifting lever causes analogous movement of all the lifting connecting rods.

Any difference in height from the ground between the left and right sides of the cutting-means assembly can be compensated by turning the two nuts (4 - 8) and locknuts (5 - 9) of just the back connecting rods.

Move the control lever to 2 or 3 different positions, making sure that the cutting-means assembly rises evenly and that the difference in height from the ground remains the same between the front and rear edge.



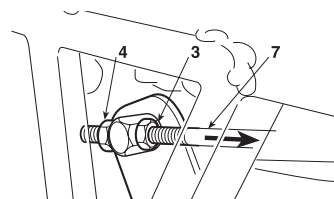
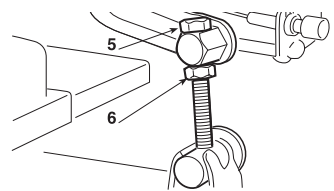
If the front part tends to rise faster or slower it can be adjusted by turning the nuts (10) on the connecting rod (11).



Screwing the nuts down on the rod will lift the front part and make it rise faster, and unscrewing them will give the opposite effects.

▶ HF24...♦♦ HF26...♦♦

- Loosen the nuts (3), the screws (5) and the locknuts (4-6) on the right and left-hand side, so that the cutting-means assembly is resting firmly on the blocks;
- push the two connection rods backwards (7) and tighten the nuts (3) to the respective rods until both the left and right side of the front part of the cutting-means assembly begin to rise and then tighten the locknuts (4);
- turn both the rear screws (5) until both the left and right side of the rear part of the cutting-means assembly begin to rise and then tighten the relative locknuts (6);



If you are unable to adjust the cutting-means assembly properly, consult your Dealer.

6.3.3 Adjusting the cutting means gear and brake

When you operate the lever to disengage the cutting means, this

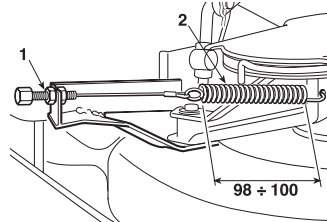
also brings the brake into operation which stops rotation within a few seconds.

A stretched cable and/or changes in the length of the belt can impair the correct engagement or rotation of the cutting means.

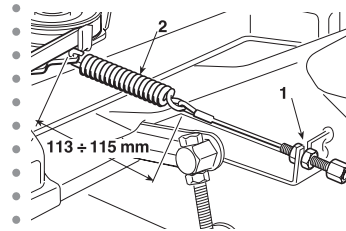
In such cases, turn the adjuster as foreseen for the model in question.

Adjust the register (1) till the spring (2) is the correct length.

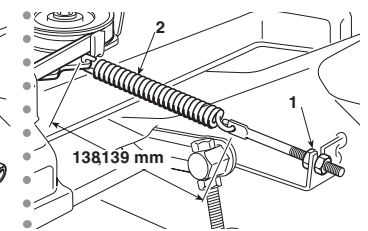
▶ HF2317...



▶ HF2417♦♦



▶ HF2625♦♦



In any case, please contact your Dealer if, after the adjustment, the gear is not able to engage the belt correctly or block the cutting means within a few seconds.

6.3.4 Brake adjustment

Braking distances that are longer than those indicated (5.3.6), require a brake spring adjustment.

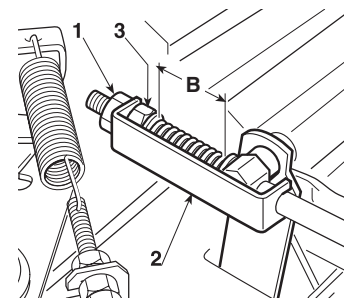
The adjustment will need to be made with the parking brake engaged.

It is possible to access the adjustment by removing the door located on the tunnel at the base of the seat.

Loosen the nut (1) which retains the bracket (2) and then turn the nut (3) so that the length of the spring is:

$$B = 45 - 47 \text{ mm}$$

measured from the inside of the washers. When the adjustment has been made, tighten the nut (1).



IMPORTANT Do not tighten the screws below these values to avoid overloading the brake unit.

⚠ WARNING! If the brake still does not work properly even after this adjustment, immediately contact your dealer. DO NOT ATTEMPT ANY OTHER WORK ON THE BRAKE THAN WHAT IS DESCRIBED HERE.

6.3.5 Adjusting the tension of the drive belt

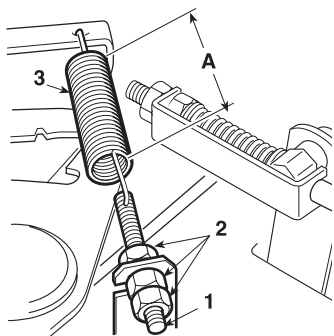
Should you notice a drop in forward drive power, adjust the tension of the spring of the stretcher to return to former conditions. It is pos-

sible to access the adjustment by removing the door located on the tunnel at the base of the seat.

Loosen the locking nuts (2) and unscrew or tighten the screw (1) as needed to obtain a spring length "A" (3) of:

$$A = 109 - 111 \text{ mm}$$

measured to the outside of the end of the spring. When the adjustment has been made, tighten the nuts (2).

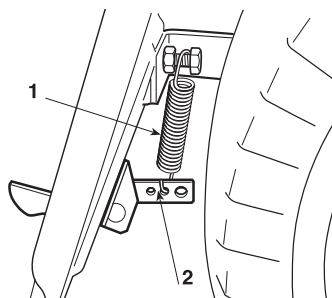


NOTE

When replacing the belt, take great care when using for the first few times as engagement may be sudden until the belt is sufficiently run in.

6.3.6 Adjusting the grass catcher pawl spring

If the grass catcher tends to move around or open when operating on uneven ground, or if it is difficult to hook on after emptying it, it is necessary to adjust the spring tension (1).

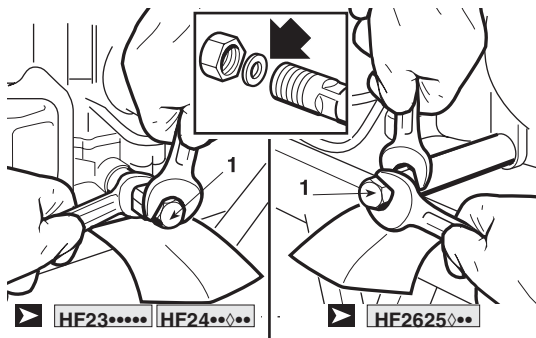


Change the hitch point using one of the holes provided (2) until the desired result is obtained

6.4 DISMANTLING AND REPLACEMENT

6.4.1 Engine oil change

Drain the oil when the engine is cold.



Remove the filler cap with the dipstick and place a sheet of cardboard or a similar object under the drain pipe to prevent oil from dripping onto the machine frame.

Unscrew the cap (1); when reassembling the cap, check the position of the internal seal.

Fill with the recommended oil until the upper limit of the dipstick is reached. (☛ 5.3.3). Screw the cap with the dipstick back on.

6.4.2 Changing the oil filter

1. Drain the engine oil (☛ 6.4.1).
2. Remove the oil filter (1) with the filter wrench (2) and drain the remaining oil. Dispose of the oil filter.
3. Clean the filter base (3).

4. Cover the new toroidal seal ring (4) on the new filter with clean engine oil.
5. Install the new oil filter on the base of the filter and tighten it by hand until the O-ring is seated against the base of the filter.
6. Tighten the oil filter to the specified tightening torque. (12 Nm - 1.20 kgm).

IMPORTANT

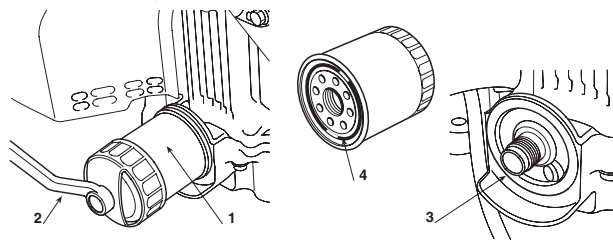
Use only an original Honda oil filter or an equivalent quality filter specific to your model. Using an unsuitable Honda filter or a non-Honda filter that is not of equivalent quality may damage the engine.

7. Fill the engine with the specified amount of recommended oil. Start the engine and check the filter for leakage.
8. Turn off the engine and check the oil level again. If necessary, add oil until the appropriate level is reached.

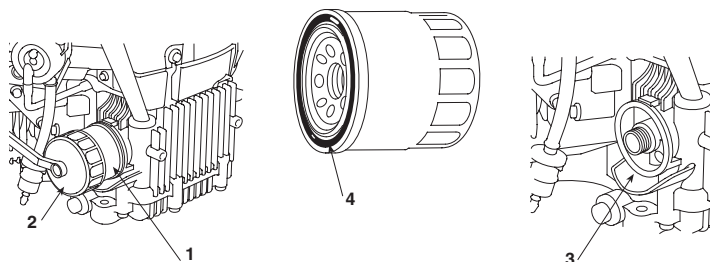
NOTE

Contact your authorised Honda dealer for advice on the filter wrench (special tool).

▶ **HF2625◆◆**



▶ **HF23◆◆◆◆ HF24◆◆◆◆**



6.4.3 Servicing the air filter

WARNING!

Never clean the air filter with petrol or highly flammable solvents. This could cause an explosion or fire.

IMPORTANT

Do not run the engine without the air filter. Foreign bodies such as dust and dirt could get in and cause the engine to wear out quickly.

1.
 - ▶ **HF23◆◆◆◆ HF24◆◆◆◆**:
 - Remove the two bolts (1a) of the air filter cover from the air filter cover and remove the cover.
 - Move the paper element (3) from the air filter body (5). Remove the spongy rubber element (4) from the air filter cover (2).

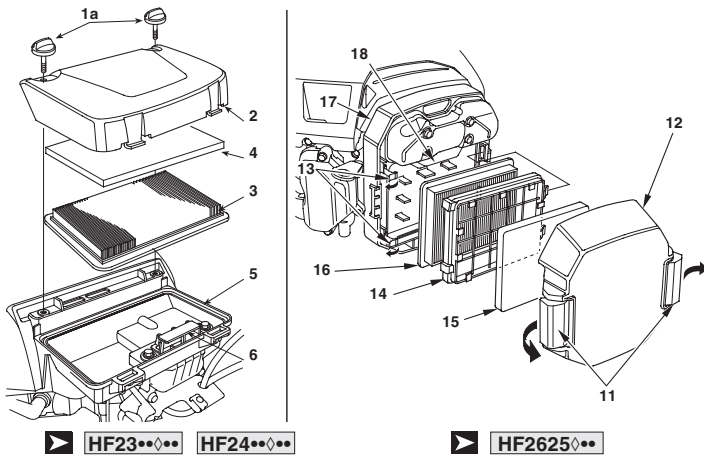
▶ **HF2625◆◆◆**

- Disengage the two locking tabs (11) from the air filter cover (12).
- Unlatch the two tabs (13) from the filter holder (14), then remove the filter holder (14) and remove the spongy rubber element (15) from the holder. Remove the paper element (16).

2. Clean the air filter elements if they are to be reused.

- **Spongy rubber element (4-15)**: clean in warm soapy water, rinse and dry completely. Or clean in a non-flammable solvent and dry. Soak the element with clean engine oil, wringing it out to release excess oil. If too much oil remains on the spongy element, the engine will emit smoke when starting.
- **Paper element (3-16)**: tap the element slightly several times on

a hard surface to remove excess dirt, or blow compressed air (not exceeding 2.1 kg/cm² through the filter on the side of the air filter body). Do not try to brush away dirt; brushing would introduce dirt into the fibres. Replace the paper element when it is excessively dirty.



- Wipe off dirt from the inside of the air filter body (5-17) and the cover using a damp cloth. Be careful to prevent dirt from entering the clean chamber (6-18) reaching the carburettor.
- Reinstall the air filter cartridges and cover.

▶ **HF23** ♦ ♦ ♦ ♦ : Tighten the two bolts (1a) of the air filter cover firmly.

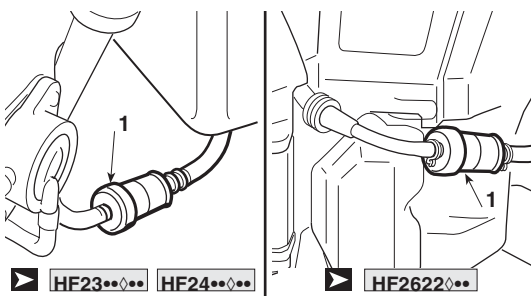
▶ **HF2625** ♦ ♦ ♦ ♦ : Fasten the locking tabs (11) securely.

NOTE Prevent dust, dirt and debris from entering the cleaning chamber (air filter body) during air filter maintenance.

6.4.4 Fuel filter maintenance

WARNING! Gasoline is a highly flammable substance which can explode under certain conditions. Do not smoke or come near the engine with flames or sparks.

Check if any water or sediment has accumulated in the fuel filter (1). If so, take the engine to your authorised Honda dealer.



6.4.5 Spark plug maintenance

Recommended spark plugs:

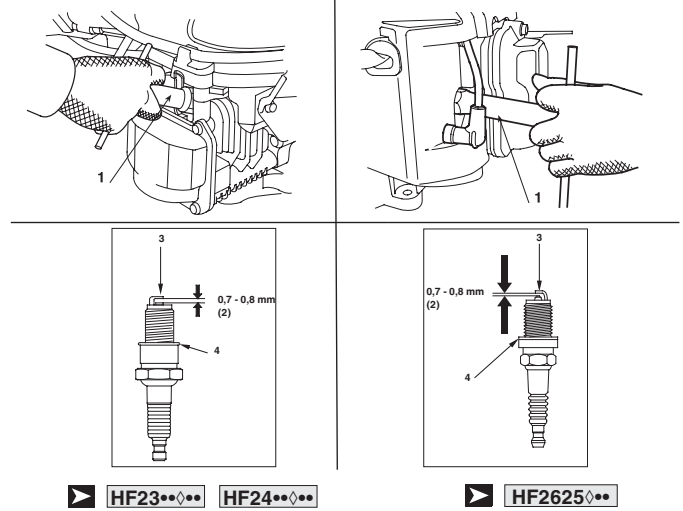
▶ **HF23** ♦ ♦ ♦ ♦ :
• BPR5ES (NGK) - W16EPR-U (DENSO).

▶ **HF2625** ♦ ♦ ♦ ♦ :
• ZFR5F (NGK)

IMPORTANT Never use a spark plug with an unsuitable thermal range.

To guarantee proper engine operation, the spark plug electrode spacing must be correct and the spark plugs must be free of carbon

deposits.



- Remove the spark plug caps and use a spark plug wrench (1) to remove each spark plug.

WARNING! If the engine was running, the muffler is very hot. Be careful not to burn yourself.

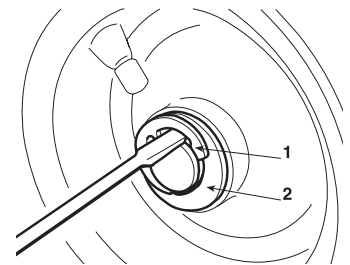
- Visually check the spark plugs. Discard the spark plug if it is worn or if the insulator is chipped or cracked. Clean the spark plugs with a wire brush if you want to reuse them.
- Use a thickness gauge to measure the electrode gap (2) of the spark plug, correcting it if necessary by bending the side electrode (3). The gap must be: 0.7 - 0.8 mm.
- Make sure the spark plug washer (4) is in good condition and screw in the spark plug by hand to avoid damaging the spark plug threads.
- Once the spark plug rests on its base, tighten it with a spark plug wrench (1) in order for it to compress the washer.

NOTE When installing a new spark plug, tighten it 1/2 turn after it is set in order to compress the washer. When reinstalling a used spark plug, tighten it 1/8 1/4 turn until it is in place to compress the washer.

IMPORTANT The spark plugs must be tightened firmly. If the spark plugs are not tightened correctly, they may overheat and damage the engine.

6.4.6 Replacing wheels

Stop the machine on flat ground and put a block under a load-bearing part of the frame on the side that the wheel is to be changed.



The wheels are held by a snap ring (1) which can be removed with a screwdriver.

The rear wheels are directly coupled to the differential axle shaft and fastened by a key that forms part of the wheel's hub.

NOTE If you have to replace one or both rear wheels, make sure they have the same diameter, and check that cutting-means assembly is horizontal to prevent an uneven cut.

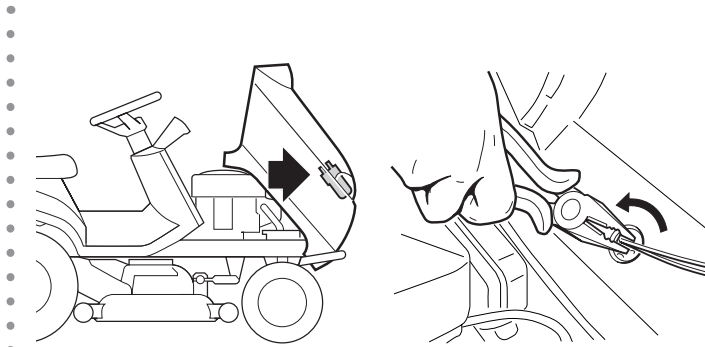
IMPORTANT Before refitting a wheel, smear some waterproof grease on the axle and carefully refit the snap ring (1) and washer (2).

6.4.7 Replacing and repairing tyres

The tyres are of the «Tubeless» type and therefore all puncture repairs will have to be carried out by a tyre-repair expert in accordance with the methods for this kind of tyre.

6.4.8 Replacing bulbs

▶ **HF23••♦••** **HF2417HB•** :



- The bulbs (10W) have a bayonet fitting and are installed in the bulb holder which can be taken out by turning it anti-clockwise with pliers.

6.4.9 Replacing a fuse

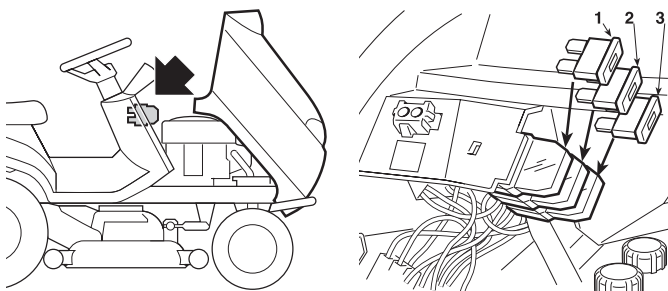
The machine is fitted with fuses with different capacities and functions, as indicated in the table below:

- | | |
|--------------------|---|
| 1 - 10 Amp - (Red) | general and power circuit protection of the electronic circuit board; |
|--------------------|---|

- ▶ **HF23••♦••** **HF2417HM•** **HF2625HM•**
- | | |
|-----------------------|-------------------------------------|
| • 2 - 15 Amp - (Blue) | protection of the charging circuit; |
|-----------------------|-------------------------------------|

- ▶ **HF2417HT•** **HF2625HT•**
- | | |
|-----------------------|--|
| • 2 - 15 Amp - (Blue) | protection of the charging circuit; |
| • 3 - 10 Amp - (Red) | grass catcher tipping control circuit. |

- When the fuse (1) trips, the machine stops and the control panel is completely switched off.
- When fuse (2) trips, it is shown by the battery warning light (4.13.f).
- When fuse (3) trips, the grass catcher tipping control motor will not work.



If you are unable to understand why it has blown , contact your dealer.

6.4.10 Replacing the belts

Replacing belts is quite a complicated process of dismantling and subsequent adjustment and must only be carried out by your dealer.

NOTE *Replace the belts as soon as they show obvious signs of wear! ALWAYS USE GENUINE REPLACEMENT BELTS!*

IMPORTANT *A blown fuse must always be replaced by one of the same type and ampere rating, and never with one of another rating.*

7. TROUBLESHOOTING

PROBLEM	PROBABLE CAUSE	SOLUTION
1. When the ignition key is turned to «ON» the control panel remains switched off without any warning sound.	The safety device of the electronic circuit board has cut in due to: <ul style="list-style-type: none"> – badly connected battery – battery terminals crossed – completely flat battery or eroded battery plates – blown fuse – bad earthing to the engine or the frame 	Turn the ignition key to «OFF» position and look for the cause of the problem: <ul style="list-style-type: none"> – check connections (☛ 3.1) – check connections (☛ 3.1) – recharge the battery (☛ 6.2.3) – replace the fuse (10 A) (☛ 6.4.9) – check connections of black earth wire.
2. When the ignition key is turned to «ON» the control panel remains switched off, but continuous warning sound is activated.	The safety device of the electronic circuit board has cut in due to: <ul style="list-style-type: none"> – wet circuit board – battery voltage too high – problems with the electronic circuit board 	Turn the ignition key to «OFF» position and look for the cause of the problem: <ul style="list-style-type: none"> – dry using luke warm air – Check battery voltage. – check connections (☛ 3.1) – replace the battery – contact your dealer
3. With the ignition key on «START» the control panel light is on, but the starter motor does not run.	<ul style="list-style-type: none"> – insufficiently charged battery – badly earthed – starting conditions have not been met (☛ 5.2) 	<ul style="list-style-type: none"> – recharge the battery (☛ 6.2.3) – check earth connections – disengage the cutting means; (check the relative micro switch if the inconvenience persists) – put the drive into neutral (N) – sit firmly on the seat
4. With the ignition key on «START» the starter motor runs but the engine does not start.	<ul style="list-style-type: none"> – insufficiently charged battery – faulty fuel supply <ul style="list-style-type: none"> – faulty ignition <ul style="list-style-type: none"> – oil level low 	<ul style="list-style-type: none"> – recharge the battery (☛ 6.2.3) – check the level in the tank (☛ 5.3.3) – Check the wiring of the fuel opening solenoid. – Check the fuel filter (☛ 6.4.4) <ul style="list-style-type: none"> – check that spark plug cap is securely fitted (☛ 6.4.5) – check that the electrodes are clean and have the correct gap between them (☛ 6.4.5) <ul style="list-style-type: none"> – Check the engine oil level and top up if necessary (☛ 5.3.3)
5. Starting is difficult or the engine runs erratically	<ul style="list-style-type: none"> – carburation problems 	<ul style="list-style-type: none"> – clean or replace the air filter (☛ 6.4.3) – flush out the float chamber (☛ 5.4.13) – empty the fuel tank and refill with fresh fuel (☛ 5.4.13) – check and replace the fuel filter if necessary (☛ 6.4.4)
6. The machine does not start:	<ul style="list-style-type: none"> – transmission not in neutral (N) with "Cruise Control" not disconnected from the previous use. 	<ul style="list-style-type: none"> – Turn the ignition key to «OFF» – Disconnect the cruise control device. (☛ 4.9) <p>Make sure the neutral transmission indicator (N) (4.13.j) lights up on the display.</p> <p>If the problem persists, please contact your dealer.</p>
7. Weak engine performance during cutting	<ul style="list-style-type: none"> – forward speed too high compared to cutting height (☛ 5.4.5) 	<ul style="list-style-type: none"> – reduce the forward speed and/or raise the height of the cutting-means assembly.
8. The engine switches off when the cutting means is engaged.	<ul style="list-style-type: none"> – the cutting means engage function lacks consent (☛ 5.2) <ul style="list-style-type: none"> – cutting means engaged in reverse gear 	<ul style="list-style-type: none"> – seat firmly on the seat (if the problem persists, check the relevant microswitch) – check that the grass catcher or the discharge guard are fitted correctly (if the situation persists, check the relative micro-switch) <ul style="list-style-type: none"> – Press the reverse gear cutting consent button (☛ 4.7)
9. The "Cruise Control" device does not engage (activate)		
10. The "Cruise Control" device does not disengage (deactivate): <ul style="list-style-type: none"> - by pressing the mushroom control (4.9) - by operating the forward drive pedal (4.22) - by using the brake pedal (4.23) 	<ul style="list-style-type: none"> – device components are blocked or damaged 	<ul style="list-style-type: none"> – Turn the ignition key to «OFF» – Contact your dealer.
11. The battery light will not go off after running for a few minutes work	<ul style="list-style-type: none"> – insufficient battery charge 	<ul style="list-style-type: none"> – check connection

PROBLEM	PROBABLE CAUSE	SOLUTION
12. The battery light is blinking	<ul style="list-style-type: none"> – the battery is reaching the overvoltage threshold 	<ul style="list-style-type: none"> – Turn immediately the ignition key to the «OFF» position; – Disconnect the battery; – Contact your dealer.
13. The oil lamp lights up while running.	<ul style="list-style-type: none"> – Engine lubrication problems. 	<p>Turn immediately the ignition key to the «OFF» position.</p> <ul style="list-style-type: none"> – oil top up (➡5.3.3) - replace the oil filter (if the problem persists, contact your Dealer).
14. – Calibration failed. The tilt indicators (4.13.l) flash alternatively	<ul style="list-style-type: none"> – Machine requirements are not met – time out is happened 	<ul style="list-style-type: none"> – Turn the key to "OFF", check the machine status and contact your dealer to re-calibrate the sensor.
15. The tilt indicators (4.13.l) often light up incorrectly	<ul style="list-style-type: none"> – Sensor malfunctioning 	<ul style="list-style-type: none"> – Contact your dealer
16. –The tilt indicators (4.13.l) light up when the surface is flat or on a low gradient.	<ul style="list-style-type: none"> – driving is not performed safely – low tyre pressure – non-calibrated tilting sensor – problems with the electronic circuit board 	<ul style="list-style-type: none"> – Driving without sudden movements; starting, stopping and steering – check the tyre pressures – contact your dealer – contact your dealer
17. With the ignition key on "ON" position, the USB device does not charge	<ul style="list-style-type: none"> – badly connected device – device not connected – USB cable failure – USB port temperature too high – insufficiently charged battery 	<p>Turn the ignition key to «OFF» position and look for the cause of the problem:</p> <ul style="list-style-type: none"> – Check the device connection – Check the device connection – use another USB cable – wait for the port to cool down and try again <p>– Check the battery voltage and charging system.</p>
18. The Maintenance Interval code is not displayed when the intervention threshold is reached. (▶ models HF2417•••)	<ul style="list-style-type: none"> – battery voltage too high 	<ul style="list-style-type: none"> – check the battery voltage on the display and wait for the voltage value to drop below 12.7V. Then try again
19. The maintenance interval code and the maintenance interval icon cannot be reset even though the engine is off. (▶ models HF2417•••)		
20. Driving times (4.13.a.1) are not recorded. (▶ models HF2417•••)	<ul style="list-style-type: none"> – regulator disconnected – Regulator or electronic circuit board fault 	<ul style="list-style-type: none"> – Check the connection of the regulator – Check the battery voltage with the engine on <p>If the voltage value is below 12.7V, the fault is with the regulator. If the voltage value is above 12.7V, the fault is with electronic board</p>
21. Driving times (4.13.a.1) are not recorded. (▶ models HF2625•••)	<ul style="list-style-type: none"> – engine RPM signal disconnected – engine or electronic circuit board fault 	<ul style="list-style-type: none"> – Check the connection of the engine RPM signal. – Check the numerical value and the graphic engine RPM indicator on the display with the engine running. <p>If the numeric value and the graphic indicator are displayed, the fault may be with the electronic circuit board. If both are not displayed, the fault is in the engine.</p>
22. The brightness of the LED main headlight dims during work.	<ul style="list-style-type: none"> – low battery voltage – The temperature of the electronic device inside the headlight assembly is too high. 	<p>Turn the ignition key to «OFF» position and look for the cause of the problem:</p> <ul style="list-style-type: none"> – check the battery voltage and charging system. – wait a short time Then, restart
23. The LED main headlight does not light up in dark conditions, with the position light (daylight) on.	<ul style="list-style-type: none"> – connector disconnected – cable not properly connected – electronic circuit board problems – damaged wiring 	<p>Turn the ignition key to «OFF» position and look for the cause of the problem:</p> <ul style="list-style-type: none"> – check connections and cables – contact your dealer
24. The position light (daylight) does not switch on	<ul style="list-style-type: none"> – connector disconnected – cable not properly connected – damaged wiring 	<p>Turn the ignition key to «OFF» position and look for the cause of the problem:</p> <ul style="list-style-type: none"> – check connections and cables – contact your dealer

<p>25. The engine stops, and a warning sound is activated</p>	<p>The safety device of the electronic circuit board has cut in due to:</p> <ul style="list-style-type: none"> - battery contains electrolyte but is not charged - overvoltage caused by the charge regulator - badly connected battery (poor contact) - engine badly earthed 	<p>Turn the ignition key to «OFF» position and look for the cause of the problem:</p> <ul style="list-style-type: none"> - recharge the battery (☛ 6.2.3) - contact your dealer - check connections (☛ 3.1) - check engine earth connection
<p>26. The engine stops, without any warning sound.</p>	<ul style="list-style-type: none"> - battery disconnected - no gas on the engine - problems in the engine 	<ul style="list-style-type: none"> - check connections (☛ 3.1) - check engine earth connection - contact your dealer
<p>27. The cutting means do not engage</p>	<ul style="list-style-type: none"> - slack belt - electromagnetic engagement problems 	<ul style="list-style-type: none"> - turn the adjuster (☛ 6.3.3) - contact your dealer
<p>28. Uneven mowing and poor grass collection</p>	<ul style="list-style-type: none"> - cutting-means assembly is not parallel to the ground - inefficient cutting means; - forward speed too high compared to the height of the grass (5.4.5) - collector channel is blocked - cutting-means assembly is full of grass 	<ul style="list-style-type: none"> - check the tyre pressure (☛ 5.3.2) - reinstate the alignment of the cutting-means assembly in relation to the ground (☛ 6.3.2) - check that the cutting means is fitted properly (☛ 6.3.1) - sharpen or replace the cutting means (☛ 6.3.1) - check the belt tension and the cutting means engagement lever cable (☛ 6.3.3) - reduce the forward speed and/or raise the height of the cutting-means assembly. - wait for the grass to dry - remove the grass catcher and empty the discharge chute (☛ 5.4.7) - clean the cutting-means assembly (☛ 5.4.11)
<p>29. Unusual vibrations while operating</p>	<ul style="list-style-type: none"> - the cutting means are unbalanced - the cutting means are loose - loose bolts and screws 	<ul style="list-style-type: none"> - balance or replace the cutting means if damaged (☛ 6.3.1) - check the cutting means fitting (☛ 6.3.1) - check and tighten all the engine and frame bolts
<p>30. With the engine running, the machine does not move when the drive pedal is pressed.</p>	<ul style="list-style-type: none"> - release lever in position «B» (☛ 4.24) 	<ul style="list-style-type: none"> - put into position «A»
<p>31. Difficulty in operating the mulching lever (☑ models HF2417HM• - HF-2417HT• HF2625H♦•)</p>	<ul style="list-style-type: none"> - The lever does not move (inconvenience caused by an accumulation of grass in the discharge chute or cutting-means assembly) - the shutter does not close properly 	<ul style="list-style-type: none"> - remove the material accumulated in the discharge chute or cutting-means assembly - contact your Dealer.

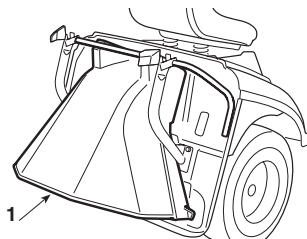
If problems persist after having performed the above operations, contact your dealer.

⚠ WARNING! *Do not take on complicated repair work without the necessary equipment and technical knowledge. The guarantee is automatically revoked and the manufacturer declines all responsibility for any poorly effected repairs.*

8. ATTACHMENTS ON REQUEST

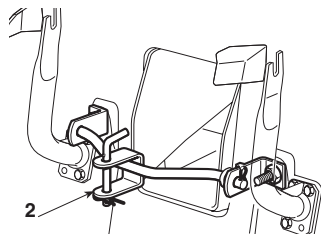
1. DISCHARGE GUARD KIT 80609-VK1-003

Used instead of the grass catcher when the cuttings are not collected.



2. TOWING KIT 80596-VK1-003

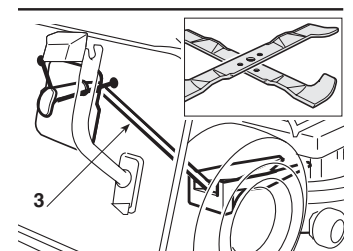
For towing a small trailer.



3. MULCHING PLUG AND CUTTING MEANS

HF2317: 80597-VK1-003
HF2417HB: 06805-VK1-A10

To finely chop the mown grass and leave it on the lawn, as an alternative to collecting it in the grass catcher.



⚠ WARNING! *For your safety it is strictly prohibited to fit any other accessory other than those included in the above list, they have been exclusively designed for the model and type of machine you are using..*

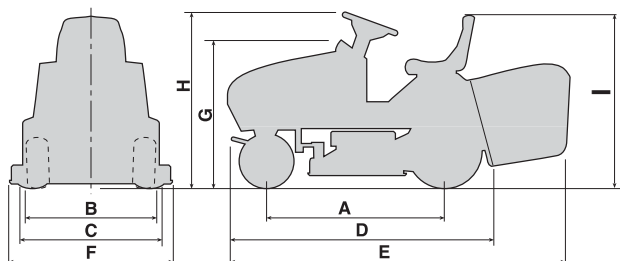
9. TECHNICAL SPECIFICATIONS

MODELS	HF2317HME	HF2417HBE	HF2417HME	HF2417HTE	HF2625HMEH	HF2625HTEH
Function						
Electrical system	12V	12V	12V	12V	12V	12V
Battery	24 Ah	24 Ah	24 Ah	24 Ah	24 Ah	24 Ah
Engine: HONDA type	GCV530	GCV530	GCV530	GCV530	GXV690H	GXV690H
Cooling system	Air, forced ventilation					
Number and cylinder configuration (4-stroke)	2 / 90 ° V	2 / 90 ° V	2 / 90 ° V	2 / 90 ° V	2 / 90 ° V	2 / 90 ° V
Valves arrangement	OHC	OHC	OHC	OHC	OHV	OHV
Total cylinder capacity	530 cm ³	530 cm ³	530 cm ³	530 cm ³	690 cm ³	690 cm ³
Effective engine power (*) kW / min ⁻¹	11,3kW / 3600	11,3 kW / 3600	11,3 kW / 3600	11,3 kW / 3600	16,5 kW / 3600	16,5 kW / 3600
Engine nominal power kW / min ⁻¹	9,7 kW / 2800	9,7 kW / 2800	9,7 kW / 2800	9,7 kW / 2800	13,9 kW / 2800	13,9 kW / 2800
Operating speed min ⁻¹	2800 min ⁻¹ (0,-150)	2800 min ⁻¹ (0,-150)	2800 min ⁻¹ (0,-150)	2800 min ⁻¹ (0,-150)	2800 min ⁻¹ (0,-150)	2800 min ⁻¹ (0,-150)
Fuel type	Unleaded petrol E10					
Oil capacity	1.1 litres	1.1 litres	1.1 litres	1.1 litres	1.7 litres	1.7 litres
Front tyres	13 x 5.00-6	15 x 6.00-6	15 x 6.00-6	15 x 6.00-6	15 x 6.00-6	15 x 6.00-6
Rear tyres	18 x 8.50-8	18 x 8.50-8	18 x 8.50-8	18 x 8.50-8	18 x 8.50-8	18 x 8.50-8
Front tyre pressure	1.5 bar	1.0 bar	1.0 bar	1.0 bar	1.0 bar	1.0 bar
Rear tyre pressure	1.2 bar	1.2 bar	1.2 bar	1.2 bar	1.2 bar	1.2 bar
Capacity of the fuel tank	5.4 litres	5.4 litres	8.5 litres	8.5 litres	8.5 litres	8.5 litres
Weight unladen (with oil and without fuel)	221 kg	243 kg	245 kg	256 kg	267 kg	276 kg
Forward speed						
	0 - 8.2 km/h	0 - 8.2 km/h	0 - 8.2 km/h	0 - 8.2 km/h	0 - 8.2 km/h	0 - 8.2 km/h
in reverse gear	0 - 4.2 km/h	0 - 4.2 km/h	0 - 4.2 km/h	0 - 4.2 km/h	0 - 4.2 km/h	0 - 4.2 km/h
Minimum radius of uncut grass	1.0 m	1.0 m	1.0 m	1.0 m	0.8 m	0.8 m
Cutting height	29 ÷ 80 mm	29 ÷ 90 mm	29 ÷ 90 mm	29 ÷ 90 mm	29 ÷ 90 mm	29 ÷ 90 mm
Cutting width	92 cm	102 cm	102 cm	102 cm	122 cm	122 cm
Grass catcher capacity	280 litres	300 litres	300 litres	300 litres	350 litres	350 litres
Engaging the grass catcher	manual	manual	manual	electric	manual	electric
Dimensions (mm)						
A	1150	1150	1150	1150	1150	1150
B	835	880	880	880	880	880
C	950	950	950	950	950	950
D	1870	1870	1870	1870	1870	1870
E	2480	2460	2460	2460	2460	2460
F	960	1060	1060	1060	1250	1250
G	980	990	990	990	990	990
H	1100	1120	1120	1120	1120	1120
I	1290	1290	1290	1290	1290	1290
Carbon dioxide (CO ₂) emissions (**)	See " CO ₂ information list " on www.honda-engines-eu.com/co2					

(**) CO₂ measurement is the result of a fixed cycle test under laboratory conditions of an engine (parent) representing the engine type (engine family) and will not imply or demonstrate the guaranteed performance of a particular engine.

Maximum noise and vibration levels

MODELS	HF2317HME	HF2417HBE	HF2417HME	HF2417HTE	HF2625HMEH	HF2625HTEH
Guaranteed acoustic power level (2000/14/EC, 2005/88/EC)	dB(A) 100	100	100	100	105	105
Measured acoustic power level (2000/14/EC, 2005/88/EC)	dB(A) 100	100	100	100	103	103
Measuring uncertainty	dB(A) 0,67	0,34	0,34	0,34	0,77	0,77
Sound pressure level at the ear (EN ISO 5395-1:2013 + A1:2018 / EN ISO 5395-3:2013 + A1:2017 + A2:2018)	dB(A) 85	85	85	85	89	89
Measuring uncertainty	dB(A) 0,72	1,20	1,20	1,20	2,03	2,03
Real measured value of acceleration on seat (EN ISO 5395-1:2013 + A1:2018 / EN ISO 5395-3:2013 + A1:2017 + A2:2018)	m/s ² 0,8	0,8	0,8	0,8	0,7	0,7
Measuring uncertainty	m/s ² 0,30	0,24	0,24	0,24	0,18	0,18
Real value of acceleration on steering wheel (EN ISO 5395-1:2013 + A1:2018 / EN ISO 5395-3:2013 + A1:2017 + A2:2018)	m/s ² 2,9	3,3	3,3	3,3	3,5	3,5
Measuring uncertainty	m/s ² 1,07	0,93	0,93	0,93	0,97	0,97



(*) The value of the engine power indicated in this document is the effective power output, tested on the engine of the production models GCV530 and GXV690H, measured according to SAE J1349 at 3600 min⁻¹ (Effective power) and at 2800 min⁻¹. (Net power). Mass-produced engines may have different values. The power output of the engine mounted on the machine can vary, depending on many factors, including the engine operating speed during use, environmental conditions, maintenance and other variables

10. ALPHABETICAL INDEX

Accelerator		
Function and use	4.3	
Acoustic signal		
Function.....	4.13-o	
Intervention	5.4.6	
Auxiliary port for USB accessories		
Function.....	4.10	
Battery		
Description	2.2-7	
Connection	3.1	
Long periods of disuse	5.4.13	
Maintenance and recharging	6.2.3	
Brake		
Pedal function	4.21	
Efficiency control	5.3.4	
Brake use	5.4.3	
Adjustments	6.3.4	
Choke		
Function and use	4.2	
Cleaning		
Implementing procedures	5.4.11	
Cruise control		
Function and use	4.9	
Cutting		
Hight Adjustment	4.6	
Cutting in reverse	4.7	
Cutting modes	5.4.5	
Cutting end	5.4.9	
Cutting advice	5.7	
“Mulching” function.....	5.4.8	
Cutting-means assembly		
Description	2.2-1	
Internal washing	5.4.11	
Removal	6.3.1-a	
Aligning	6.3.2	
Cutting means		
Description	2.2-2	
Engagement.....	4.8	
Disassembly and sharpening	6.3.1-b	
Engagement adjustment	6.3.3	
Discharge chute		
Description	2.2-3	
Emptying	5.4.7	
Discharge guard		
Description	2.2-5	
Assembly on the machine	5.3.5	
Drive pedals		
Pedals function	4.22 - 4.23	
Forward drive	5.4.2	
Reverse	5.4.4	
Engine		
Engine oil.....	6.4.1	
Oil filter	6.4.2	
Air filter	6.4.3	
Fuel filter	6.4.4	
Spark plug	6.4.5	
Fuse		
Replacing	6.4.9	
Grass catcher		
Description	2.2-4	
Tipping control	4.11	
Assembly on the machine	5.3.5	
Emptying	5.4.6	
Coupling adjustment.....	6.3.6	
Headlights		
Ignition control	4.13-i, 4.13-i.1	
Lamp replacement	6.4.8	
Key		
Function.....	4.4	
Maintenance		
Implementing procedures.....	6.1 - 6.2	
Mulching		
Engagement lever	4.12	
Function.....	5.4.8	
Parking brake		
Leverage function	4.5	
Refuelling		
Refuelling procedures	5.3.3	
Safety		
General regulations	1.1	
Labels and pictograms	1.3	
Device intervention	5.2	
Efficiency control	5.3.6	
Seat		
Description	2.2-8	
Adjustments	5.3.1	
Slops		
Use Precautions	5.5	
Speed change		
Forward drive	5.4.2	
Reverse	5.4.4	
Start-up		
Start-up procedure	5.4.1	
Steering wheel		
Function.....	4.1	
Towing		
Instructions	1.4	
Transport		
Implementing procedures	5.6	
Tyres		
Tyres pressure	5.3.2	
Repair and replacement	6.4.7	
Warning lights		
Function.....	4.13	
Wheels		
Replacing	6.4.6	
Wheel drive		
Belt adjustment.....	6.3.5	

PRÉSENTATION

Cher client,

Nous tenons avant tout à vous remercier de la préférence que vous avez accordée à nos produits et nous souhaitons que l'emploi de cette nouvelle tondeuse à gazon à conducteur assis vous réserve de grandes satisfactions et qu'il réponde pleinement à vos attentes.


Ce manuel a été réalisé pour vous permettre de bien connaître votre machine et de l'utiliser dans les meilleures conditions de sécurité et d'efficacité. N'oubliez pas qu'il fait partie intégrante de la tondeuse elle-même, conservez-le donc à portée de main pour le consulter à tout moment et assurez-vous qu'en cas de revente il accompagne bien la tondeuse.


Cette nouvelle machine a été conçue et fabriquée conformément aux normes en vigueur, et elle ne sera fiable et sûre que si vous l'utilisez pour la tonte et le ramassage de l'herbe, dans le plein respect des indications contenues dans ce manuel (**usage prévu**) ; toute autre utilisation, ou le non respect des normes de sécurité lors de l'utilisation, de l'entretien et de la réparation qui sont indiquées dans le manuel, sont considérés comme un « **emploi impropre** » (☛ 5.1) : dans ce cas, la garantie perd tout effet et le Fabricant décline toute responsabilité, en laissant à la charge de l'utilisateur les conséquences des dommages ou des lésions qu'il a causés à lui-même ou à autrui.

Si vous remarquez une légère différence entre ce qui est décrit dans ces pages et la machine en votre possession, souvenez-vous que, compte tenu de l'évolution technologique constante de ce produit, les informations contenues dans ce manuel peuvent être modifiées sans avis préalable ni obligation de mise à jour, étant toutefois bien entendu que les caractéristiques essentielles de sécurité et de fonctionnement restent inchangées. En cas de doute, n'hésitez pas à contacter votre Concessionnaire. Bon travail!

Assistance

Ce manuel fournit toutes les indications nécessaires pour utiliser la machine et pour effectuer correctement l'entretien de base à la charge de l'utilisateur. Pour toute intervention non contenue dans ce manuel, consultez votre Concessionnaire.

 **H F 2** | _ | _ | _ | _ | _ | _ | _
Inscrire ici le modèle de la machine

 **M A** | _ | _ | _ | _ | _ | _ | _ | _ | _ | _ | _
Inscrire ici le numéro de série de la machine

COMMENT CONSULTER LE MANUEL

Dans le texte de ce Manuel, certains paragraphes contenant des informations très importantes pour la sécurité ou le fonctionnement sont signalés de différentes façons, comme indiqué ci-après :

REMARQUE

ou

IMPORTANT


Pour donner des précisions ou d'autres éléments à ce qui vient d'être indiqué, dans le but de ne pas endommager la machine ou de ne pas causer de dommages.

ATTENTION! Possibilité de lésions à l'utilisateur ou à autrui en cas de non-respect des consignes.

DANGER! Possibilité de lésions graves à l'utilisateur ou à autrui, et danger de mort, en cas de non-respect des consignes.

Le manuel décrit plusieurs versions de machine qui peuvent se différencier les unes des autres essentiellement selon :

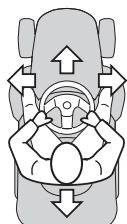
- le type de transmission : avec réglage hydrostatique continu de la vitesse ;
- aménagements particuliers et/ou équipements.

Le symbole  indique les différences relatives à l'utilisation et il est suivi de l'indication de la version à laquelle il se réfère.

Le symbole "☛" renvoie à un autre point du manuel, pour d'autres éclaircissements ou informations.

REMARQUE

Toutes les indications « avant », « arrière », « droite » et « gauche » se rapportent à la position de l'opérateur assis.



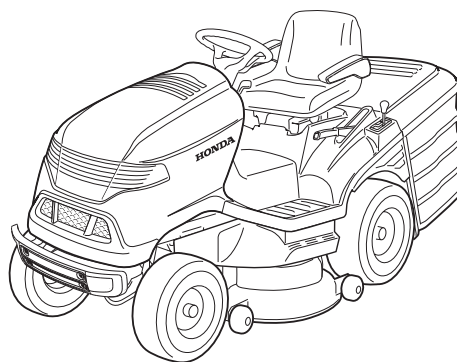
HONDA

NOTICE ORIGINALE

MANUEL D'UTILISATION

Tondeuse à gazon à conducteur assis

HF2317 • HF2417 • HF2625



CE

FRANÇAIS

SOMMAIRE

1. NORMES DE SÉCURITÉ	2
Contient les consignes d'utilisation de la machine en toute sécurité	
2. IDENTIFICATION DE LA MACHINE ET DE SES COMPOSANTS	5
Explique comment identifier la machine ainsi que les principaux éléments qui la composent	
3. DÉBALLAGE ET MONTAGE	6
Explique comment déballer et monter les pièces séparées	
4. COMMANDES ET OUTILS DE CONTRÔLE	8
Indique la position et la fonction de toutes les commandes	
5. RÈGLES D'UTILISATION	12
Cette section contient toutes les indications pour bien travailler en toute sécurité.	
5.1 Recommandations pour la sécurité	12
5.2 Critères d'intervention des dispositifs de sécurité	12
5.3 Opérations à effectuer avant de débiter le travail	13
5.4 Utilisation de la machine	14
5.5 Utilisation sur terrains en pente	18
5.6 Position de transport	18
5.7 Quelques conseils pour effectuer une bonne tonte	18
5.8 Récapitulatif des principales actions à accomplir selon les différentes situations	19
6. ENTRETIEN	19
Contient toutes les informations pour que la machine maintienne son efficacité	
6.1 Recommandations pour la sécurité	19
6.2 Entretien périodique	20
6.3 Contrôles et réglages	21
6.4 Interventions de démontage et remplacement	24
7. GUIDE DE DEPISTAGE DES PANNES	27
Vous aide à résoudre rapidement tout éventuel problème d'utilisation	
8. ÉQUIPEMENTS EN OPTION	29
Les équipements disponibles pour des exigences de travail particulières sont illustrés	
9. CARACTÉRISTIQUES TECHNIQUES	30
Résume les principales caractéristiques de votre machine	
10. SOMMAIRE ALPHABÉTIQUE	31
Indique où se trouvent les informations	

ADRESSES DES PRINCIPAUX CONCESSIONNAIRES HONDA

“EC Declaration of Conformity”

CONTENT OUTLINE

Honda France Manufacturing S.A.S.

Pôle 45 - Rue des Châtaigniers - 45140 ORMES - FRANCE

All rights reserved 12-2019 Imprimé en Italie

HF2317 - HF2417K5 - HF2625

1. NORMES DE SÉCURITÉ

1.1 CONSIGNES GÉNÉRALES DE SÉCURITÉ

⚠ ATTENTION! **LIRE ATTENTIVEMENT LE MANUEL AVANT D'UTILISER CETTE MACHINE. Conserver pour toute consultation future.**

A) FORMATION

1) ATTENTION! Lire attentivement ces instructions avant d'utiliser la machine. Se familiariser avec les commandes et avec la bonne utilisation de la machine. Apprendre à arrêter rapidement le moteur. Le non-respect des avertissements et des instructions peut causer des incendies et/ou de graves lésions. Conserver tous les avertissements et les instructions pour toute consultation future.

2) Ne jamais permettre à des enfants ou à des personnes ne connaissant pas suffisamment les instructions d'utiliser la machine. La réglementation locale peut fixer un âge minimum pour l'utilisateur.

3) Ne pas utiliser la machine lorsque des personnes, en particulier des enfants ou des animaux se trouvent à proximité.

4) Ne jamais utiliser la machine en cas de fatigue ou de maladie, ou après absorption de médicaments, de drogues, d'alcool ou de substances dangereuses susceptibles d'affecter les réflexes et la concentration de l'utilisateur.

5) Se rappeler que l'opérateur ou l'utilisateur est responsable des accidents et des imprévus qui peuvent arriver à d'autres personnes ou à leurs biens. L'utilisateur est responsable de l'évaluation des risques potentiels du terrain à travailler et de la mise en place de toutes les précautions nécessaires pour assurer sa sécurité et celle d'autrui, en particulier sur les terrains en pente, les sols accidentés, glissants ou instables.

6) Si la machine est cédée ou prêtée à des tiers, vérifier que l'utilisateur prenne connaissance des consignes d'utilisation contenues dans le présent manuel.

7) Ne pas transporter des enfants ou d'autres passagers sur la machine, car ils pourraient tomber ou occasionner des lésions graves ou compromettre la conduite en sécurité de la machine.

8) Le conducteur de la machine doit suivre scrupuleusement les instructions relatives à la conduite et en particulier :

– Ne pas se distraire et rester suffisamment concentré pendant le travail.

– Se rappeler qu'il n'est pas possible de reprendre le contrôle d'une machine qui glisse sur une pente en utilisant le frein. Les causes principales de la perte du contrôle sont :

- Manque d'adhérence des roues ;
- Vitesse excessive ;
- Freinage inadéquat ;
- Machine inadaptée à l'utilisation ;
- Manque de connaissance des effets pouvant dériver des conditions du terrain, en particulier dans les pentes ;
- Mauvaise utilisation comme véhicule de remorquage.

9) La machine est équipée d'une série de minirupteurs et de dispositifs de sécurité qu'il ne faut jamais modifier ou enlever, sous peine d'annuler la garantie et de soulever le fabricant de toute responsabilité. Toujours contrôler que les dispositifs de sécurité fonctionnent avant d'utiliser la machine.

B) OPÉRATIONS PRÉLIMINAIRES

1) Lors de l'utilisation de la machine, toujours porter des chaussures de sécurité résistantes, antidérapantes et des pantalons longs. Ne pas utiliser la machine pieds nus ou avec des chaussures ouvertes. Ne pas porter d'écharpes, chemisiers, colliers, bracelets, vêtements flottants, ou munis de lacets ou de cravates et de toute façon tout accessoire pendant ou long susceptible de s'accrocher dans la machine ou dans des objets et des matériaux présents sur le lieu de travail. Attacher les cheveux longs. Porter des protections auditives.

2) L'utilisation de protections auditives peut réduire la capacité d'entendre d'éventuels avertissements (cris ou alarmes). Faire très attention à ce qui se déroule autour de la zone de travail.

3) Inspecter minutieusement toute la zone de travail et enlever tout ce qui pourrait être éjecté par la machine ou tout ce qui pourrait en-

dommager l'ensemble des organes de coupe et le moteur (cailloux, branches, fils de fer, os, etc..).

4) ATTENTION : DANGER ! L'essence est très inflammable.

– Conserver le carburant dans des récipients homologués pour cet usage, dans des lieux sûrs, loin de toute source de chaleur ou de flammes nues ; Ne pas laisser les récipients à la portée des enfants.

– Faire le plein d'essence à l'aide d'un entonnoir, en plein air uniquement et ne pas fumer pendant cette opération, ni lors de la manipulation du carburant ;

– Ajouter de l'essence avant de démarrer le moteur et ne jamais enlever le bouchon du réservoir de carburant ou faire le plein lorsque le moteur est en fonctionnement ou tant qu'il est encore chaud ;

– Ne pas faire démarrer le moteur si de l'essence a été répandue ; éloigner la machine de la zone où le carburant a été renversé, et éviter de créer toute possibilité d'incendie tant que le carburant ne s'est pas évaporé et que les vapeurs d'essence ne se sont pas dissipées ;

– Remettre et serrer correctement les bouchons du réservoir et du récipient.

– Éviter d'inhaler les vapeurs de carburant.

– Ouvrir lentement le bouchon du réservoir, en laissant diminuer progressivement la pression interne.

– Ne jamais remettre la machine en marche à l'endroit où l'on a fait le plein de carburant ; le démarrage du moteur doit se faire à une distance d'au moins 3 mètres de l'endroit où l'on a effectué le remplissage de carburant.

– Éviter que les vêtements n'entrent en contact avec le carburant et, dans un tel cas, changer de vêtements avant de faire démarrer le moteur.

5) Remplacer les silencieux défectueux.

6) Procéder à un contrôle général de la machine avant son utilisation, en particulier :

de l'aspect de l'organe de coupe, contrôler que les vis et l'ensemble des organes de coupe ne sont ni usés ni endommagés. Remplacer en bloc les organes de coupe et les vis endommagées ou usées pour maintenir l'équilibrage. Les éventuelles réparations doivent être exécutées dans un centre spécialisé.

7) Contrôler l'état de la batterie à intervalles réguliers. La remplacer si l'enveloppe de la batterie, le couvercle ou les bornes sont endommagés.

8) Avant de commencer toute activité, toujours monter les protections d'éjection (sac de ramassage, protection d'éjection arrière).

C) PENDANT L'UTILISATION

1) Ne pas faire fonctionner le moteur dans des endroits confinés où des gaz nocifs contenant du monoxyde de carbone peuvent s'accumuler. Les opérations de démarrage doivent s'effectuer en plein air ou dans un endroit suffisamment aéré. Ne pas oublier que les gaz d'échappement sont toxiques. Pendant le démarrage de la machine ne pas diriger le silencieux, et donc les gaz d'échappement, vers des matières inflammables.

2) Travailler uniquement à la lumière du jour ou avec un bon éclairage et des conditions de bonne visibilité. Tenir les personnes, les enfants et les animaux éloignés de la zone de travail. Il faut que les enfants soient surveillés par un autre adulte.

3) Éviter de travailler dans l'herbe mouillée, sous la pluie et avec risque d'orages, spécialement de foudres.

4) Avant de démarrer le moteur, débrayer l'organe de coupe ou la prise de force, mettre la transmission au point mort.

5) Faire très attention à la proximité d'obstacles qui pourraient limiter la visibilité.

6) Serrer le frein de stationnement pour garer la machine.

7) Ne jamais utiliser la machine sur des pentes supérieures à 10° (17%), indépendamment du sens de la marche.

8) Se rappeler qu'il n'existe pas de pente "sûre". Se déplacer sur des terrains en pente demande une attention particulière. Pour éviter de basculer ou de perdre le contrôle de la machine :

– Ne pas s'arrêter ou repartir brusquement dans une pente ou dans une côte ;

– Embrayer doucement et toujours garder une vitesse engagée,

- surtout en descente ;
 - Réduire la vitesse dans les pentes et dans les virages serrés ;
 - Faire attention aux dos d'âne, aux cassis et aux dangers cachés ;
 - Ne jamais tondre en travers de la pente. Les pelouses en pente se tondent dans le sens de la montée et de la descente et jamais transversalement. Faire très attention aux changements de direction et à ce que les roues en amont ne rencontrent pas d'obstacles (cailloux, branches, racines, etc.) susceptibles de faire glisser la machine sur le côté, de la renverser ou d'entraîner une perte de contrôle du véhicule.
- 9) Réduire la vitesse avant tout changement de direction sur des terrains en pente et mettre le frein de stationnement avant de laisser la machine à l'arrêt et sans surveillance.
- 10) Faire très attention à proximité d'escarpements, de fossés ou de talus. La machine peut se renverser si une roue franchit un bord ou si le bord cède.
- 11) Prêter la plus grande attention pendant la tonte et les manœuvres en marche arrière. Regarder derrière soi avant et pendant la marche arrière pour s'assurer qu'il n'y ait pas d'obstacles.
- 12) Faire attention lorsque vous remorquez des charges ou que vous utilisez un outillage lourd :
- Pour les barres de remorquage, n'utiliser que des points d'attelage homologués ;
 - Limiter les charges à celles qui peuvent être aisément contrôlées ;
 - Ne pas braquer brusquement. Faire attention en marche arrière ;
 - Utiliser des contrepoids ou des poids sur les roues quand cela est indiqué par le manuel d'utilisation.
- 13) Débrayer l'organe de coupe ou la prise de force lors de traversée de surfaces sans herbe lors de déplacement de ou vers la zone à tondre et mettre l'ensemble de l'organe de coupe dans la position la plus haute.
- 14) Faire très attention à la circulation routière lors de l'utilisation de la machine en bordure de route.
- 15) **ATTENTION !** La machine n'est pas homologuée pour circuler sur les voies publiques. Elle s'utilise exclusivement (conformément au Code de la Route) dans des zones privées interdites au trafic.
- 16) Ne jamais utiliser la machine si les protections sont endommagées, absentes ou mal positionnées (sac de ramassage, protection d'éjection arrière).
- 17) Toujours tenir les mains et les pieds éloignés de l'organe de coupe, tant pendant le démarrage du moteur que pendant l'utilisation de la machine. Attention : l'élément de coupe continue à tourner pendant quelques secondes même après sa désactivation ou après la coupure du moteur. Toujours rester à distance de l'ouverture d'éjection.
- 18) Ne pas laisser la machine arrêtée dans l'herbe haute avec le moteur en marche afin d'éviter de provoquer des incendies.
- 19) Lors de l'utilisation des équipements, ne jamais diriger l'éjection vers les personnes.
- 20) Utiliser les équipements approuvés par le fabricant de la machine uniquement.
- 21) Ne pas utiliser la machine si les équipements / appareils ne sont pas installés aux endroits prévus.
- 22) Faire attention lors de l'utilisation des sacs de ramassage et des équipements car ils peuvent altérer la stabilité de la machine, en particulier dans les pentes.
- 23) Ne jamais modifier les réglages du moteur, ni mettre le moteur en surrégime.
- 24) Ne pas toucher les composants du moteur qui chauffent pendant l'utilisation. Risque de brûlures.
- 25) Débrayer l'organe de coupe ou la prise de force, mettre au point mort et insérer le frein de stationnement, arrêter le moteur et retirer la clé (en s'assurant que toutes les parties en mouvement sont complètement arrêtées) :
- À chaque fois que la machine est laissée sans surveillance ou que le poste de conduite est abandonné ;
 - Avant de supprimer les causes d'un blocage ou de déboucher la goulotte d'éjection ;
 - Avant toute opération de nettoyage, de vérification ou de réparation de la machine ;
 - Après avoir heurté un objet étranger. Vérifier si la machine est

- endommagée et effectuer les réparations nécessaires avant de l'utiliser à nouveau.
- 26) Débrayer l'organe de coupe ou la prise de force et arrêter le moteur (en s'assurant que toutes les parties en mouvement sont complètement arrêtées) :
- Avant de faire le plein de carburant ;
 - À chaque fois qu'on enlève ou que l'on remonte le sac de ramassage ;
 - À chaque fois qu'on enlève ou remonte le déflecteur d'éjection.
 - Avant de régler la hauteur de coupe, si cette opération ne peut pas être effectuée depuis le poste du conducteur.
- 27) Débrayer l'organe de coupe ou la prise de force pendant le transport et à chaque fois qu'ils ne sont pas utilisés.
- 28) Réduire le régime du moteur avant de l'arrêter. À la fin du travail, couper l'alimentation du carburant en suivant les instructions fournies par le manuel.
- 29) Faire attention à l'ensemble des organes de coupe avec plus d'un organe de coupe car un organe de coupe en rotation peut déterminer la rotation des autres.
- 30) Ne pas débrancher, désactiver, retirer ni manipuler les systèmes de sécurité/microinterrupteurs présents.
- 31) **ATTENTION** – En cas de ruptures ou d'accidents pendant l'utilisation de la machine, arrêter immédiatement le moteur et éloigner la machine afin de ne pas provoquer de dommages supplémentaires ; en cas d'accidents avec lésions personnelles ou à des tiers, activer immédiatement les procédures d'urgence les mieux adaptées à la situation en cours et s'adresser à une structure médicale pour la dispense des soins nécessaires. Enlever soigneusement les éventuels détritiques qui, si ignorés, pourraient causer des dommages ou des lésions aux personnes ou aux animaux.
- 32) **ATTENTION** – Le niveau de bruit et de vibration indiqués par cette notice sont les valeurs maximum d'utilisation de la machine. L'utilisation d'un organe de coupe non équilibré, d'une vitesse de mouvement excessive et l'absence d'entretien ont une influence significative sur les émissions sonores et les vibrations. Il faut donc adopter des mesures préventives afin d'éliminer tout dommage possible dû à un bruit élevé et aux contraintes issues des vibrations ; veiller à l'entretien de la machine, porter un casque anti-bruit, faire des pauses pendant le travail.
- 33) Ne pas utiliser d'accessoires USB lors de la tonte de l'herbe ou la conduite.

D) ENTRETIEN ET ENTREPOSAGE

- 1) **ATTENTION !** – Enlever la clé et lire les instructions correspondantes avant d'entamer tout nettoyage ou entretien. Porter des vêtements appropriés et des gants de travail dans toutes les situations entraînant un risque pour les mains.
- 2) **ATTENTION !** – Ne jamais utiliser la machine si certaines de ses pièces sont usées ou endommagées. Les pièces défectueuses ou détériorées doivent être remplacées et ne doivent jamais être réparées. Utiliser les pièces de rechange originales uniquement : l'utilisation de pièces de rechange non originales et/ou montées de manière incorrecte compromet la sécurité de la machine, peut provoquer des accidents ou des lésions personnelles et relève le constructeur de toute obligation ou responsabilité.
- 3) Toutes les interventions de réglage et d'entretien qui ne sont pas décrites dans ce manuel doivent être exécutées par le revendeur ou un centre spécialisé disposant des connaissances et des équipements nécessaires pour que le travail soit exécuté correctement, en maintenant le niveau de sécurité de la machine d'origine. Les opérations exécutées dans des structures inadéquates ou par des personnes non qualifiées entraînent la déchéance de toute forme de garantie que ce soit et de toute obligation ou responsabilité du fabricant.
- 4) Après chaque utilisation, retirer la clé et contrôler les éventuels dommages.
- 5) Maintenir tous les écrous et les vis serrés afin de toujours assurer les conditions de fonctionnement en sécurité de la machine. Un entretien régulier est essentiel pour la sécurité et le maintien du niveau de performances.
- 6) Contrôler régulièrement que les vis de l'organe de coupe soient

bien serrées.

7) Porter des gants de travail pour manipuler l'organe de coupe, pour le démonter ou le remonter.

8) Faire attention à l'équilibrage des organes de coupe quand ils sont affûtés. Toutes les opérations concernant les organes de coupe (démontage, affûtage, équilibrage, remontage et/ou remplacement) sont des travaux complexes qui demandent une compétence spécifique outre à l'utilisation d'équipements spéciaux ; pour des raisons de sécurité, il faut donc toujours les faire exécuter dans un centre spécialisé.

9) Contrôler le fonctionnement des freins à intervalles réguliers. L'entretien des freins est important et, si besoin, les réparer.

10) Contrôler à intervalles réguliers la protection d'éjection latérale ou la protection d'éjection, le sac de ramassage et la grille d'aspiration. Les remplacer si endommagées.

11) Remplacer les étiquettes indiquant les instructions ou les avertissements, si endommagées.

12) Lorsque la machine doit être rangée ou laissée sans surveillance, abaisser l'ensemble des organes de coupe.

13) Placer la machine dans un lieu inaccessible aux enfants.

14) Ne pas entreposer la machine avec du carburant dans le réservoir dans un endroit où les vapeurs d'essence pourraient atteindre une flamme, une étincelle ou une forte source de chaleur.

15) Laisser refroidir le moteur avant de ranger la machine à un endroit quelconque.

16) Pour réduire le risque d'incendie, débarrasser le moteur, le silencieux d'échappement, le compartiment de la batterie et la zone d'entreposage de l'essence des résidus d'herbe, de feuilles ou d'excès de graisse. Toujours vider le sac de ramassage et ne pas laisser de récipients avec l'herbe coupée à l'intérieur d'un local.

17) Pour réduire le risque d'incendie, contrôler régulièrement la présence de pertes d'huile et/ou de carburant.

18) Si le réservoir doit être vidangé, effectuer cette opération en plein air et lorsque le moteur est froid.

19) Ne jamais laisser les clés insérées ou à la portée des enfants ou de personnes non aptes. Enlever la clé avant de commencer toute opération d'entretien.

20) Pendant les opérations de réglage de la machine, faire attention afin d'éviter de se coincer les doigts entre l'organe de coupe en mouvement et les parties fixes de la machine.

E) TRANSPORT

1) ATTENTION ! - Si la machine doit être transportée sur un camion ou une remorque, utiliser des rampes d'accès ayant une résistance, une largeur et une longueur adéquates. Charger la machine avec le moteur éteint, sans conducteur et en la poussant seulement, avec l'effort d'un nombre de personnes adéquat. Pendant le transport abaisser l'ensemble de l'organe de coupe ou l'équipement, positionner la machine de façon qu'elle ne constitue aucun danger pour personne, et

la bloquer solidement au véhicule de transport à l'aide de cordes et de sangles pour éviter son renversement ce qui risquerait de causer des dommages et des échappements de carburant.

F) PROTECTION DE L'ENVIRONNEMENT

1) La protection de l'environnement doit être un aspect important et prioritaire dans l'utilisation de la machine, au profit de la société civile et de l'environnement dans lequel nous vivons. Éviter de déranger le voisinage.

2) Suivre scrupuleusement les normes locales pour l'élimination des emballages, des huiles, de l'essence, des pièces détériorées ou de tout élément ayant un effet important sur l'environnement ; ces déchets ne doivent pas être jetés à la poubelle, mais doivent être séparés et confiés aux centres de collecte prévus, qui procéderont au recyclage des matériaux.

3) Suivre scrupuleusement les normes locales pour l'élimination des déchets après la coupe.

4) Au moment de la mise hors service, ne pas abandonner la machine dans la nature, mais contacter un centre de collecte, selon les normes locales en vigueur.

1.2 DESCRIPTION DE LA MACHINE ET DOMAINE D'UTILISATION

Cette machine est un équipement de jardinage et plus précisément une tondeuse à gazon à conducteur assis.

La machine est équipée d'un moteur qui actionne l'organe de coupe, protégé par un carter, ainsi qu'un groupe de transmission qui actionne le mouvement de la machine.

L'opérateur est en mesure de conduire la machine et d'actionner les commandes principales en restant toujours assis au poste de conduite.

Les dispositifs montés sur la machine prévoient l'arrêt du moteur et de l'organe de coupe, en quelques secondes, dès que les actions de l'opérateur ne sont pas conformes aux conditions de sécurité prévues.

Usage prévu

Cette tondeuse a été conçue et construite pour couper l'herbe.

L'utilisation d'équipements particuliers, prévus par le fabricant comme l'équipement original ou vendu séparément, permet d'effectuer la tonte en fonction des différents modes opératoires, illustrés par ce manuel ou dans le mode d'emploi qui accompagne les équipements.

De la même façon, la possibilité d'utiliser des équipements supplémentaires (si prévus par le fabricant) peut élargir l'usage prévu à d'autres fonctions, selon les limites et les conditions indiquées dans le mode d'emploi accompagnant l'équipement.

Typologie d'utilisateur

Cette machine est destinée à être utilisée par un particulier, à savoir des opérateurs non-professionnels, à leurs débuts et/ou non experts. Cette machine est destinée à un "usage amateur".

Usage impropre

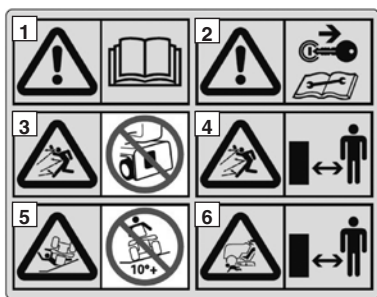
Tout usage autre que ceux cités ci-dessus peut se révéler dangereux et nuire aux personnes et/ou aux choses. Font partie de l'usage impropre (à titre d'exemple, mais pas seulement) :

- transporter sur la machine ou sur une remorque d'autres personnes, enfants ou animaux ;
- remorquer ou pousser des charges sans utiliser l'équipement spécialement prévu pour le remorquage ;
- utiliser la machine pour passer sur des terrains instables, glissants, glacés, rocailloux ou inégaux, des flaques ou des mares ne permettant pas d'évaluer la consistance du terrain ;
- actionner l'organe de coupe sur des sections non herbeuses ;
- utiliser la machine pour ramasser des feuilles ou des débris.

L'usage impropre de la machine implique la déchéance de la garantie et soulève le fabricant de toute responsabilité, en reportant sur l'utilisateur tous les frais dérivants de dommages ou de lésions corporelles à l'utilisateur ou des tiers.

1.3 ÉTIQUETTES DE SÉCURITÉ

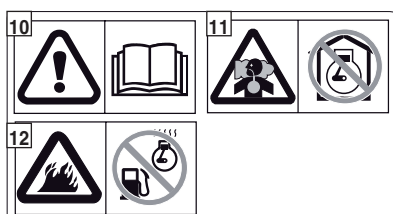
Votre machine doit être utilisée avec prudence. Dans ce but, des étiquettes destinées à vous rappeler les principales précautions d'utilisation ont été placées sur la machine sous forme de pictogrammes. Ces étiquettes sont considérées comme faisant partie intégrante de la machine. Si une étiquette se détache ou devient illisible, contactez votre revendeur qui veillera à la remplacer. Leur signification est expliquée ci-après.



- 1 = Attention** : Lire les instructions avant d'utiliser la machine.
- 2 = Attention** : Enlever la clé de contact et lire les instructions avant toute opération d'entretien ou de réparation.
- 3 = Danger ! Projection d'objets** : Ne pas utiliser la machine sans avoir monté la protection d'éjection arrière ou le sac de ramassage.
- 4 = Danger ! Projection d'objets** : Tenir les personnes éloignées de la machine.
- 5 = Danger ! Renversement de la machine** : Ne pas utiliser cette machine sur des pentes supérieures à 10°.
- 6 = Danger ! Mutilations** : Tenir les enfants éloignés de la machine lorsque le moteur est en marche.
- 6a =** Ne pas monter sur la machine en marchant sur les protections de l'ensemble organes de coupe.



- 7 = Risque de coupure.** Organe de coupe en mouvement. Ne pas introduire les mains et les pieds à l'intérieur du siège des organes de coupe
- 8 = Attention** : Ne pas manipuler le micro-contacteur.
- 9 = Éviter les lésions venant de l'entraînement des courroies** : Ne pas démarrer la machine sans les protections montées. Se tenir éloigné des courroies.



- 10 = Attention** : Lire les instructions avant d'utiliser la machine.
- 11 = Attention** : Le moteur relâche du monoxyde de carbone, qui est un gaz toxique. Ne pas mettre en marche dans un lieu fermé.
- 12 = Attention !** L'essence est extrêmement inflammable et explosive. Éteindre le moteur et laisser refroidir avant d'effectuer le plein d'essence.



- 13 = Attention** : Lors du fonctionnement, le silencieux devient très chaud et le reste pour un certain temps même après l'arrêt du moteur.



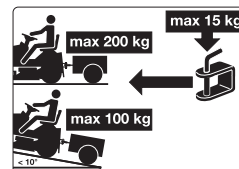
- 14 = Produit recyclable.** Contient du plomb. Ne pas jeter dans l'environnement et jeter en décharge selon les normes en vigueur.



- 15 = Vapeurs inflammables** - Ne pas approcher des flammes nues.
- 16 =** Porter des lunettes de protection.
- 17 =** Tenir hors de la portée des enfants.
- 18 = Liquide corrosif.** En cas de contact, laver immédiatement à l'eau, et consulter un médecin.
- 19 =** Lire le mode d'emploi.
- 20 =** Risque d'explosion.

1.4 CONSIGNES POUR LE REMORQUAGE

Un kit pour le remorquage d'une petite remorque est disponible en option; cet équipement doit être monté conformément aux consignes fournies.



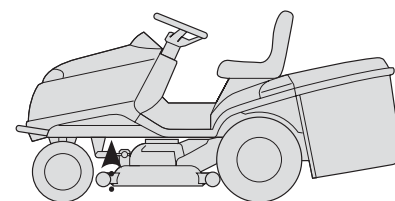
Dans l'emploi, ne pas dépasser les limites de chargement reportées sur l'étiquette et respecter les normes de sécurité, (☛ 1.2, C-6).

Poids total tractable : sur du plat: 200 kg ou moins
en pente (10° ou moins) : jusqu'à 100 kg

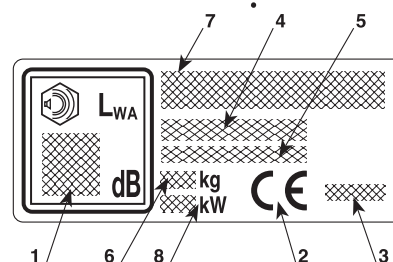
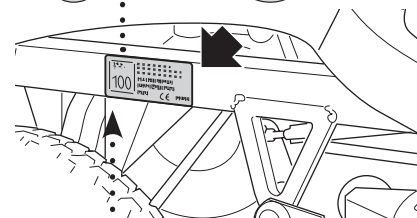
2. IDENTIFICATION DE LA MACHINE ET DE SES COMPOSANTS

2.1 IDENTIFICATION DE LA MACHINE

L'étiquette d'identification, placée sur le côté gauche du châssis, présente les informations principales de chaque machine.



Le numéro de série (5) est indispensable chaque fois que vous demandez une intervention technique ou que vous commandez des pièces détachées.



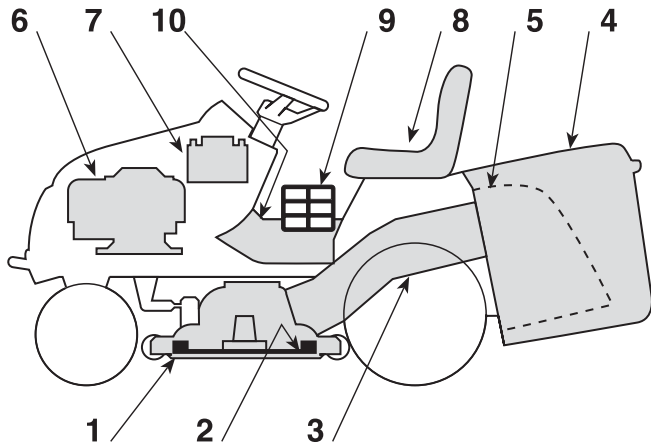
1. Niveau de puissance acoustique selon les directives 2000/14/CE, 2005/88/CE
2. Marquage de conformité, selon les directives 2006/42/CE, 2005/88/CE, 2014/30/EU
3. Année de fabrication
4. Modèle et type de machine
5. Numéro de série
6. Poids en kg (avec le réservoir vide)
7. Le nom et l'adresse du constructeur sont signalés dans la "EC Declaration of Conformity" – CONTENT OUTLINE présente dans ce manuel d'utilisation.
8. Puissance nominale du moteur (à 2800 min⁻¹)

COMMENT IDENTIFIER VOTRE MACHINE

Cette notice décrit les opérations de préparation, d'utilisation et d'entretien d'une gamme de machines qui présentent quelques différences entre elles ; il est donc important d'identifier avec certitude le modèle de votre machine pour pouvoir suivre correctement toutes les informations qui s'y réfèrent.

Le modèle de votre machine est indiqué sur « l'étiquette d'identification » au point 4 et se compose d'une série de lettres et de chiffres.

Dans les pages suivantes de cette notice, chaque opération concernant l'un ou plusieurs modèles est précédée de l'indication des modèles auxquels elle se réfère ; si aucune indication n'apparaît, cette description est valide pour tous les modèles.



2.2 IDENTIFICATION DES PIÈCES PRINCIPALES

La machine est composée de pièces principales distinctes dont les fonctions sont les suivantes :

- 1. Ensemble des organes de coupe** : c'est le carter qui renferme les organes de coupe.
- 2. Organes de coupe** : ce sont les éléments placés pour la tonte de l'herbe ; les ailettes situées à l'extrémité favorisent le transport de l'herbe coupée vers la goulotte d'éjection.
- 3. Goulotte d'éjection** : c'est la pièce permettant de raccorder l'ensemble des organes de coupe au sac de ramassage.
- 4. Sac de ramassage** : il sert d'une part à ramasser l'herbe tondu et d'autre part, il constitue un élément de sécurité puisqu'il empêche aux objets éventuellement pris par les organes de coupe d'être éjectés loin de la machine.
- 5. Protection d'éjection arrière (disponible en option)** : montée à la place du sac de ramassage, elle empêche aux objets éventuellement pris par les organes de coupe d'être éjectés loin de la machine.
- 6. Moteur** : il met en mouvement tant les organes de coupe que la traction des roues ;
- 7. Batterie** : fournit l'énergie pour le démarrage du moteur ; ses caractéristiques sont décrites dans un manuel à part.
- 8. Siège de conduite** : c'est le poste de travail de l'opérateur et il est muni d'un capteur qui détecte sa présence pour l'intervention des dispositifs de sécurité.
- 9. Étiquettes de prescriptions et de sécurité** : rappellent les principales précautions à prendre pour opérer en toute sécurité ; leur signification est fournie dans le chap. 1
- 10. Volet d'inspection** : pour accéder à certains réglages.

3. DÉBALLAGE ET MONTAGE

Pour des raisons de stockage et de transport, certains éléments de la machine ne sont pas assemblés en usine mais doivent être montés après déballage. Pour leur montage, suivre les consignes ci-après.

⚠ ATTENTION ! *Le déballage de la machine et l'achèvement du montage doivent être effectués sur une surface plane et solide, avec un espace suffisant pour la manutention de la machine et des emballages, en utilisant toujours les outils appropriés. Ne pas utiliser la machine avant d'avoir terminé les opérations indiquées à la section « MONTAGE ».*

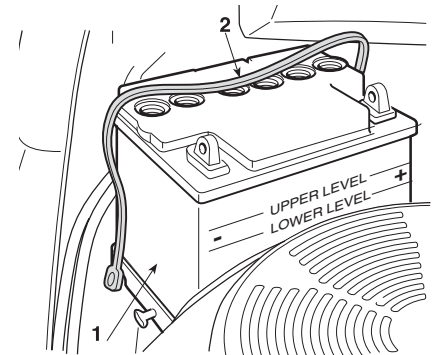
3.1 ACTIVATION ET RACCORDEMENT DE LA BATTERIE

IMPORTANT BATTERIE À CHARGE SÈCHE !

La batterie (1) est logée dans l'espace moteur et retenue par une sangle (2).

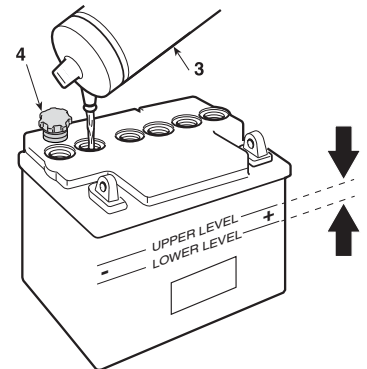
Décrocher la sangle (2) et ôter la batterie.

Enlever la bande de garantie et verser la solution électrolytique (3) (Acide sulfurique non fourni : poids spécifique 1,280) en la répartissant uniformément entre les six éléments, jusqu'à atteindre le niveau « UPPER LEVEL » signalé sur la batterie.



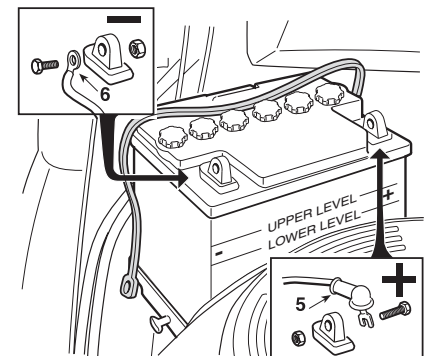
IMPORTANT Lors du remplissage, la solution électrolytique ne doit pas dépasser 30 °C/86 °F.

Laisser la batterie en position de repos pendant au moins une demi-heure après le remplissage. Le niveau de la solution électrolytique doit baisser. Verser à nouveau la solution électrolytique jusqu'à atteindre le niveau de référence « UPPER LEVEL ».



Le niveau doit toujours se trouver entre « UPPER LEVEL » et « LOWER LEVEL » signalés sur la batterie.

Positionner et serrer les six bouchons (4) fournis et charger la batterie.



IMPORTANT Après avoir activé la batterie, pourvoyez toujours à la charger complètement, en vous adressant à votre concessionnaire qui possède les équipements adéquats. Le chargeur de batterie fourni avec la machine NE PEUT PAS effectuer la première recharge après l'activation.

Relier d'abord le câble rouge (5) au pôle positif (+), et ensuite le câble noir (6) au pôle négatif (-) à l'aide des vis fournies et en procédant dans l'ordre indiqué. Étendre sur les bornes de la graisse silicone, et vérifier que le capuchon de protection du câble rouge (5) est correctement positionné.

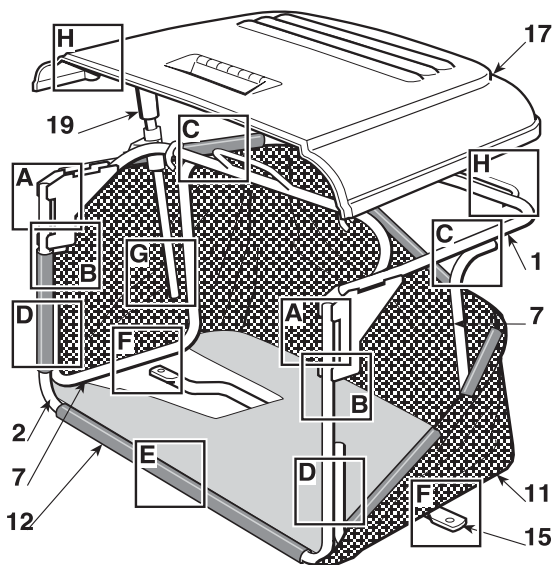
IMPORTANT Afin d'éviter l'intervention de la protection de la carte électronique, il est impératif de ne pas mettre le moteur en marche avant la recharge complète !

ATTENTION! L'acide de la batterie est corrosif et polluant. Utiliser des gants de protection pour le manipuler et procéder à l'éventuelle mise en décharge dans le respect des normes en vigueur.

IMPORTANT Utiliser SEULEMENT la batterie spécifique mod. CNB 31500-VK1-810-M1.

3.2 MONTAGE DU SAC DE RAMASSAGE

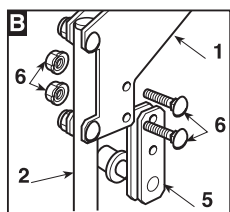
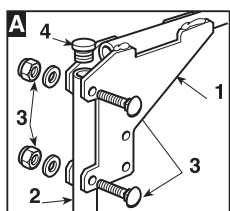
A) Unir la partie supérieure du châssis (1) à l'élément avant (2), en utilisant les vis et les écrous fournis (3) comme indiqué. Introduire les



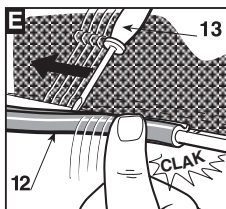
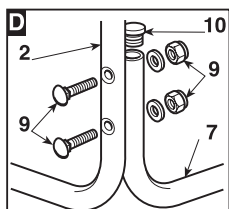
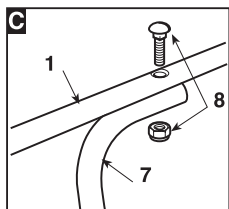
deux bouchons en caoutchouc (4) dans les trous du tube du châssis avant (2).

HF2...HT

B) Avant de serrer complètement les écrous (3), introduire entre les plaques du châssis supérieur (1) les deux supports (5), avec les rouleaux tournés vers l'intérieur, et fixer avec les vis et les écrous (6) ; serrer ensuite complètement les écrous (3).



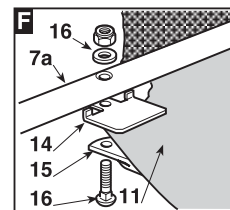
C-D) Monter les deux éléments latéraux (7), en utilisant les vis et les écrous (8 et 9) comme indiqué. Introduire les deux bouchons en caoutchouc (10) dans les trous des deux éléments latéraux (7).



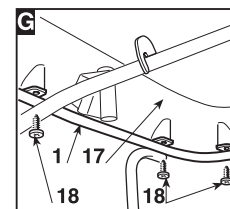
E) Insérer le châssis ainsi monté dans la housse en toile (11), en veillant à la bonne mise en place sur l'embase. Accrocher tous les profils plastiques (12) aux tubes du châssis à l'aide d'un tournevis (13).

HF2...HB **HF2...HM**

F) Introduire la plaquette (14) entre la toile et la partie inférieure de l'élément latéral droit (7a) du châssis, en faisant coïncider les trous.



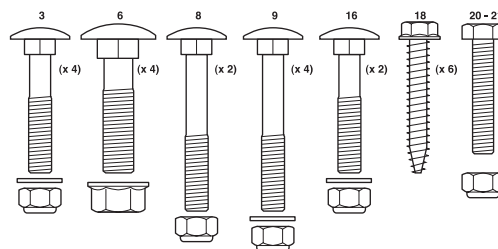
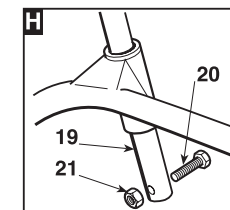
F) Monter l'entretoise de renforcement (15) sous le châssis en maintenant la partie plate orientée vers la toile et fixer le tout à l'aide des vis et des écrous (16).



G) Monter le carter (17), en le fixant sur la partie supérieure du châssis (1) à l'aide des six vis (18).

HF2...HB **HF2...HM**

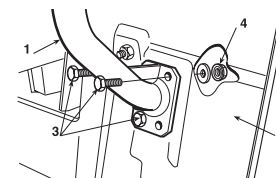
H) Introduire le levier de vidage (19) dans son siège et monter la vis d'arrêt (20) avec l'écrou correspondant (21).



3.3 MONTAGE DES SUPPORTS DU SAC DE RAMASSAGE

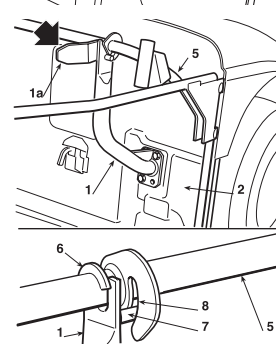
Monter les deux supports (1) sur la plaque arrière (2) en utilisant pour chaque support les trois vis (3) fournies, comme indiqué, sans bloquer les écrous (4) correspondants.

Les supports (1) doivent être montés de sorte que les ailettes (1a) soient tournées vers l'intérieur.



Accrocher aux supports la partie supérieure (5) du cadre du sac de ramassage et la centrer par rapport à la plaque arrière (2).

Régler la position des deux supports (1) par rapport à la butée (6) de sorte que, lors de la rotation du cadre du sac de ramassage, l'axe (7) se fixe correctement dans son logement (8).

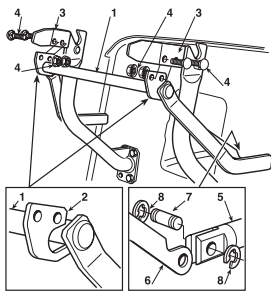


S'assurer à nouveau que le cadre (5) est bien centré par rapport à la plaque arrière (2) et que la rotation se produit correctement, comme indiqué ci-dessus, puis serrer les vis (3) et les écrous (4) de fixation.

3.4 MONTAGE DES LEVIERS DE RENVERSEMENT DU SAC DE RAMASSAGE

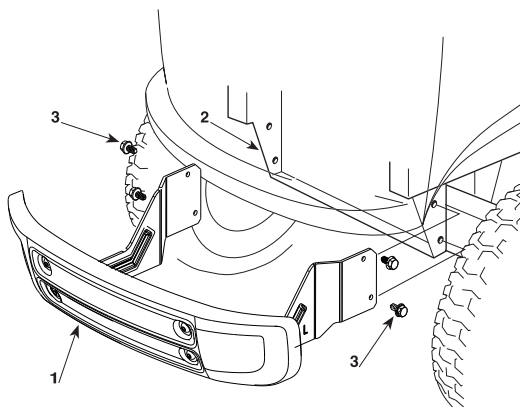
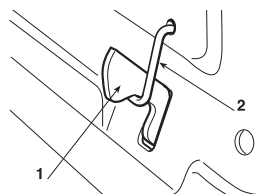
▶ **HF2...HT**

- Mettre en place l'axe des leviers (1) dans l'espace entre les deux plaquettes (2) et la fixer dans les supports du sac de ramassage (3) à l'aide des vis et des écrous (4) fournis en suivant la séquence indiquée dans la figure.
- Fixer l'extrémité de la tige (5) du piston de soulèvement au levier (6) à l'aide du pivot (7) et monter les deux anneaux élastiques (8).
- Avant de monter le sac de ramassage sur les supports, vérifier que le mouvement des leviers de renversement est effectué correctement.



35 RETRAIT DU DISPOSITIF DE BLOCAGE DU CROCHET DE FIXATION DU SAC DE RAMASSAGE

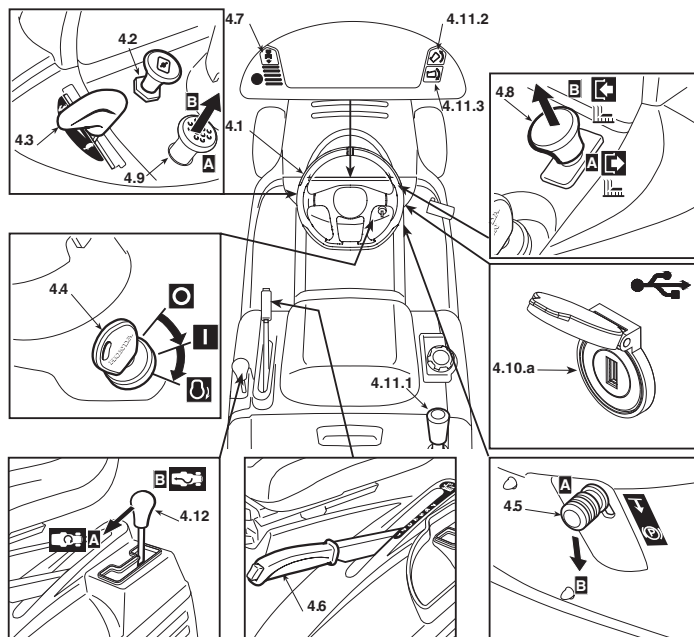
Pour des raisons de transport, le crochet (1) de fixation du sac de ramassage est bloqué à la plaque arrière grâce au dispositif de blocage (2). Ce dispositif de blocage doit être retiré avant de continuer le montage des supports du sac de ramassage et ne doit plus être utilisé.



3.6 MONTAGE DU PARE-CHOCS ANTÉRIEUR

Monter le pare-chocs avant (1) sur la partie inférieure du châssis (2), en utilisant les quatre vis (3).

4. COMMANDES ET OUTILS DE CONTRÔLE



4.1 VOLANT DE DIRECTION

Il commande le braquage des roues avant.

4.2 COMMANDE CHOKE

On l'utilise pour allumer le moteur à froid. Elle provoque un enrichissement du mélange et doit être utilisée seulement pendant le temps strictement nécessaire.

4.3 LEVIER D'ACCÉLÉRATEUR

Il permet de régler la vitesse du moteur. Les positions, indiquées sur la plaque, indiquent :

- ☰ "LENT" correspondant à la vitesse minimum
- ☷ "RAPIDE" correspondant à la vitesse maximum

- Sur les trajets pour le déplacement de la machine, choisir une position intermédiaire entre « LENT » et « RAPIDE ».
- Durant la tonte, porter le levier en position « RAPIDE ».

4.4 INTERRUPTEUR D'ALLUMAGE À CLÉ

Cette commande à clé compte trois positions :

- «ARRÊT» correspondant à tout éteint ;
- I «MARCHE» actionne tous les services ;
- Ⓚ «DÉMARRAGE» Lance le démarreur et le moteur démarre.

En relâchant la clé à partir de la position «DEMARRAGE», elle se remet automatiquement sur «MARCHE».

4.5 LEVIER DE FREIN DE STATIONNEMENT

Ce levier sert à empêcher à la machine de se déplacer lorsqu'elle est à l'arrêt. Le levier d'embrayage a deux positions, correspondant à :

⏏ «A» = Frein retiré

Ⓟ «B» = Frein inséré

- Pour enclencher le frein de stationnement, appuyer à fond sur la pédale (4.21) et porter le levier en position «B» ; quand on relâche le pied de la pédale, le frein reste bloqué en position abaissée.
- La condition de « Frein inséré » est signalée par le voyant (4.13.e) allumé.
- Pour déclencher le frein de stationnement, appuyer sur la pédale (4.21), ainsi le levier se reporte en position «A».

4.6 LEVIER DE RÉGLAGE DE LA HAUTEUR DE TONTE

Ce levier permet de soulever et d'abaisser l'ensemble organes de coupe qui peut être positionné sur 7 hauteurs de tonte différentes.



Les sept positions sont marquées de «1» à «7» sur la plaque correspondante et indiquent un même nombre de hauteurs de tonte, dont les valeurs sont indiquées dans le tableau « Caractéristiques techniques » (☛ chap. 10).

- Pour passer d'une position à l'autre, pousser le bouton de déblocage situé sur l'extrémité du levier.

4.7 BOUTON D'AUTORISATION DE TONTE EN MARCHÉ ARRIÈRE



En maintenant le bouton appuyé, il est possible de reculer avec les organes de coupe embrayés, sans provoquer l'arrêt du moteur.

4.8 COMMANDE D'EMBRAYAGE ET FREIN DES ORGANES DE COUPE

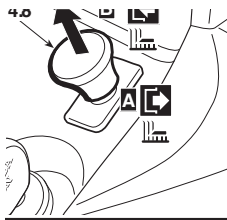
Cette commande permet d'insérer les organes de coupe grâce à un embrayage électromagnétique :



⏏ «A» Appuyé
= Organes de coupe débrayés



Ⓟ «B» Tiré =
Organes de coupe embrayés



- La condition de «Organes de coupe débrayés» est signalée par le voyant (☛ 4.13.g).
- Si les organes de coupe sont embrayés sans que les conditions de sécurité prévues ne soient respectées, le moteur s'éteint ou ne peut pas être démarré (☛ 5.2).
- Débrayer les organes de coupe (position « A »), un frein est actionné en même temps et bloque leur rotation en quelques secondes.
- L'engagement des organes de coupe en marche arrière n'est possible qu'en maintenant le bouton 4.7. pressé.

4.9 DISPOSITIF DE MAINTIEN DE LA VITESSE (CRUISE CONTROL)



HF2417HM•

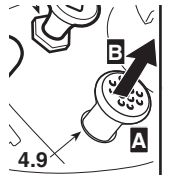
HF2417HT•

HF2625H♦

- Ce dispositif permet de maintenir la vitesse désirée en marche avant, sans qu'il soit nécessaire de maintenir la pédale appuyée (4.22).
- Le bouton champignon a deux positions :



1. «A» = Appuyé. Dispositif déconnecté (pas activé)
2. «B» = Tiré. Dispositif connecté (activé)



- - Si l'on active le dispositif tout en allant en marche avant, la machine maintient la vitesse atteinte à ce moment, sans qu'il y ait besoin d'actionner la pédale (4.22).
- - En marche arrière, il n'est pas possible d'activer ce dispositif.
- - Lorsque le dispositif est actif, il n'est pas possible d'utiliser la pédale de marche arrière (fig. 4.23).
- - Sur les terrains en montée ou en descente, la vitesse peut varier par rapport à la vitesse programmée sur terrain plat.
- Pour déconnecter le dispositif et rétablir la commande de la vitesse avec pédale (4.22), il suffit de :
 - appuyer sur la pédale (4.22) ;
 - ou
 - appuyer sur la pédale du frein (4.21).
- Dans ces deux cas, le bouton champignon se remet automatiquement dans la position « Appuyé ».

4.10.a PRISE AUXILIAIRE POUR ACCESSOIRES USB



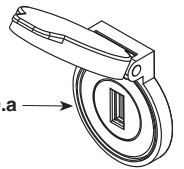
HF2417HM•

HF2417HT•

HF2625H♦

- Cette prise permet de charger les dispositifs USB. Sa fonction est seulement de recharger.
- La prise n'a pas de fonction de communication avec le dispositif USB qui y est branché.

4.10.a



- La prise n'est sous tension que lorsque la clé (4.4) est en position «MARCHÉ».
- Recharger le dispositif USB avec le moteur en marche, sans quoi la batterie se décharge.
- Ne pas recharger le dispositif USB s'il pleut ou si l'humidité est importante. L'utilisation dans ces conditions entraîne la déchéance de la garantie et dégage le fabricant de toute responsabilité en cas de problèmes.
- Ne pas retirer le cache de la prise USB s'il pleut ou si vous vous trouvez dans un lieu poussiéreux.
- Ne pas utiliser d'appareil lors de déplacement ou lors de la tonte.
- Avant de brancher l'appareil à la prise auxiliaire, assurez-vous d'avoir sauvegardé toutes les données qu'il contient.
- Le fabricant décline toute responsabilité si, lors de l'utilisation du port USB, les données sont effacées.

4.10.b PORT ACCESSOIRE USB

▶ HF2417HM• HF2417HT• HF2625H♦

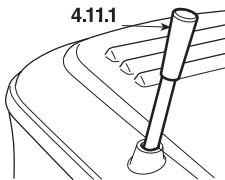
- Support pour poser l'accessoire USB.



4.11 COMMANDE RENVERSEMENT SAC DE RAMASSAGE

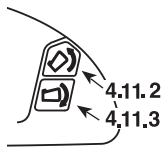
▶ HF2...HB• HF2...HM•

- Le renversement du sac de ramassage pour le vider est effectué à l'aide du levier (4.11.1) amovible.



▶ HF2...HT•

- Le renversement du sac de ramassage pour son vidage se fait en appuyant sur le bouton (4.11.2), et en maintenant la pression jusqu'à ce que le sac arrive dans la position la plus haute (☛ 5.4.6).

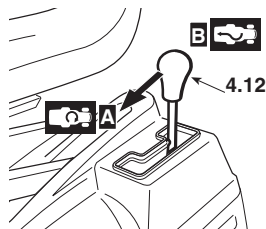


- Maintenir le bouton (4.11.3) appuyé jusqu'à ce que le crochet soit accroché et que le moteur de commande s'arrête pour remettre le sac de ramassage en position de travail.

4.12 LEVIER D'ACTIVATION DU « MULCHING »

▶ HF2417HM• HF2417HT• HF2625H♦

- Avec le levier on active la fonction de « mulching ».

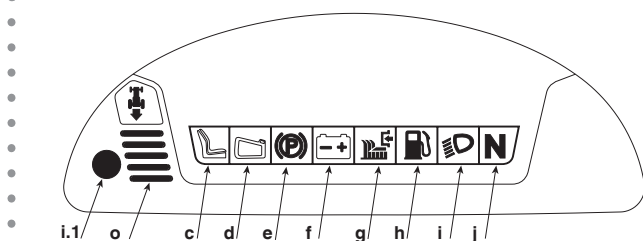


- « A » = fonction branchée
- « B » = fonction débranchée

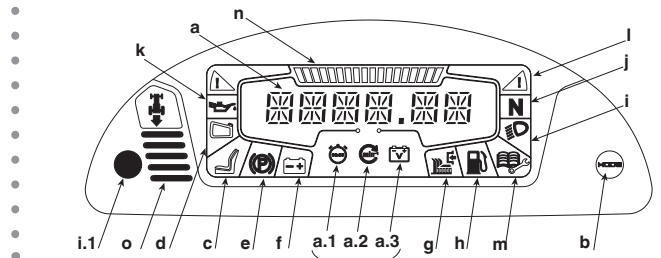
- – L'actionnement du levier doit avoir lieu quand l'organe de coupe est débrayé.
- – Lorsque la fonction de « mulching » est activée, il faut toujours que les protections de sortie (sac de ramassage ou protection d'éjection) soient montées (☛ 5.3.5).

4.13 VOYANTS ET DISPOSITIF DE SIGNALISATION ACOUSTIQUE SUR LE TABLEAU DE BORD

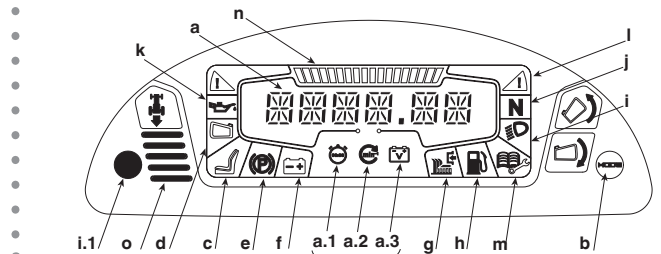
▶ HF2317...♦



▶ HF2417HB•/HM• HF2625HM•



▶ HF2417HT• HF2625HT•



Lors de l'introduction de la clé (4.4) en position «MARCHE», tous les témoins s'allument simultanément pendant une demi-seconde environ (en émettant un bref signal sonore), indiquant le bon fonctionnement de la machine.

L'écran (a) entre en modalité « informations » et, avec le bouton MODE (b), il est possible de sélectionner les fonctions suivantes :

- a.1) **Compteur** : Les symboles alphanumériques indiquent les heures de conduites effectuées, divisées en heures et dixièmes d'heures. L'unité de mesure est suivie de la lettre h ;

▶ HF2625...♦

- a.2) **Compte-tours** : indique le régime de rotation du moteur avec des valeurs numériques. Valeur affichée :




< 1600 min ⁻¹	moteur au minimum
> 2600 min ⁻¹	vitesse pour déplacement, vitesse pour tonte
- a.3) **Voltmètre** : Les symboles alphanumériques indiquent la tension de la batterie.

Appuyer brièvement sur le bouton MODE et relâcher pour allumer en séquence les icônes a.1, a.2, a.3. Sur les symboles alphanumériques de l'écran se trouvent les données associées à l'icône sélectionnée ; le dernier chiffre est réservé à l'unité de mesure.




Ne pas utiliser la valeur des compte-tours pour régler la vitesse du moteur.

Ensuite, un témoin s'allume pour signaler :

- c) l'opérateur est absent ;
- d) le sac de ramassage n'est pas présent ;
 - S'il clignote, cela signifie que le sac de ramassage est rempli et qu'il faut le vider.
- e) frein de stationnement inséré ;
- f) recharge insuffisante de la batterie : rechercher les causes dans le chapitre 7 de ce manuel ;
 - S'il clignote, cela signifie que la batterie a atteint le seuil de surtension ; arrêter immédiatement la machine, débrancher la batterie et contacter un centre d'assistance autorisé.

- g)  organes de coupe embrayés ;
- h)  carburant dans la réserve : indique qu'il ne reste plus que 1,5 litre de carburant dans le réservoir, soit 30-40 minutes de travail en régime ;
- i)  phares allumés ;
- i.1) Le capteur placé sur le tableau de bord commande l'allumage automatique des phares après quelques secondes d'obscurité et leur arrêt après quelques secondes de jour. Pour éviter tout allumage non souhaité, il est nécessaire de nettoyer régulièrement la zone du capteur et de ne pas poser de torchons ou d'objets sur le tableau de bord.
Le niveau de luminosité des phares pourrait se réduire pendant quelques secondes à la suite d'une chute de tension lors de l'allumage.

ATTENTION! *Ne pas regarder directement le phare à LED. Il peut avoir un effet négatif sur les yeux.*

- j)  transmission au « point mort ».
- k)  anomalies de lubrification du moteur : arrêter immédiatement le moteur, vérifier le niveau d'huile du moteur (5.3.3) et si le problème persiste contacter votre Concessionnaire.
- l)  L'inclinaison de la machine a atteint une pente non recommandée.

REMARQUE *Cette icône est seulement informative et permet à l'utilisateur de reconnaître l'angle d'inclinaison de la machine. Le voyant pourrait s'allumer en cas de départs/arrêts brusques ou en cas de braquages inattendus. Éviter le plus possible ce genre d'actions.*


REMARQUE *Assembler correctement tous les composants en suivant les consignes d'assemblage décrites dans le manuel, sinon le voyant pourrait ne pas fonctionner correctement.*


Le temps d'allumage de l'icône peut être influencé par le poids de l'opérateur, le poids du sac de ramassage et par la pression des pneus.

Il est possible de modifier la durée d'allumage du voyant lorsqu'un accessoire optionnel est installé.

Le calibrage du capteur utilisé pour la fonction du voyant est effectué auprès de votre concessionnaire afin qu'il fonctionne parfaitement.

REMARQUE *Si les voyants s'allument souvent dans des situations incongrues, veuillez contacter votre concessionnaire (exemple, l'icône s'allume alors que la machine est sur le plat ou sur une pente faible, etc.).*

- m)  Entretien nécessaire.
Lorsque ce voyant s'allume, l'écran affiche le seuil horaire d'intervention, sous forme de code :
- M20** = Intervalle d'entretien toutes les 20 heures
 - M50** = Intervalle d'entretien toutes les 50 heures
 - M100** = Intervalle d'entretien toutes les 100 heures
 - M300** = Intervalle d'entretien toutes les 300 heures

Les entretiens à effectuer pour chaque seuil horaire sont décrits au ( 6.2).

Le code de l'entretien à effectuer reste affiché sur l'écran jusqu'à l'allumage du moteur ou jusqu'au changement des fonctions de l'écran. Le voyant indiquant la nécessité d'un entretien reste allumé indépendamment de l'état du moteur ou des fonctions de l'écran.

Si plusieurs seuils horaires sont ajoutés simultanément, les codes d'entretien alternent sur l'écran toutes les 2 secondes, de manière croissante.

Remettre à zéro l'opération à la fin de chaque entretien, sinon le code d'intervention et l'icône restent affichés sur l'écran et l'intervalle d'entretien ne peut plus être compté correctement.

Pour remettre à zéro :

- Appuyer sur la touche « MODE » (4.13.b) pendant plus de 10 secondes, avec la clé en position de « MARCHÉ » et avec le moteur à l'arrêt.

Le code d'entretien et l'icône seront à nouveau affichés sur l'écran une fois que le seuil horaire d'intervention successif sera atteint.

Si vous effectuez la remise à zéro des indications d'entretien avant d'avoir atteint le seuil horaire d'intervention, le temps d'entretien sera quand même affichée dès le premier intervalle utile. Dans ce cas, remettre à nouveau à zéro l'opération si l'entretien a déjà été effectué auparavant.


HF2417...

-
-
-
-
-
-
-

Si les indications d'entretien ne peuvent pas être remises à zéro immédiatement après l'arrêt du moteur, attendre que la tension de la batterie descende en-dessous des 12,7 V. Après quoi, essayer de vérifier le code d'entretien.

HF2625...

-
-
-
-
-
-
-

- n)  Indicateur graphique du régime du moteur : les marques affichées sur l'échelle graphique augmentent au fur et à mesure que le régime du moteur augmente.
L'indicateur graphique et la valeur numérique sur l'écran (a.2) changent simultanément.

- o) Le bip sonore peut être :

- **continu** signale l'intervention de la protection de la carte électronique ; tourner la clé en position « ARRÊT » pour arrêter le bip sonore.
- **intermittent** indique que le sac est plein.

4.21 PÉDALE FREIN

Cette pédale actionne le frein sur les roues arrière.

4.22 PÉDALE DE MARCHÉ AVANT

Avec cette pédale on met la traction des roues arrière en marche avant et on règle la vitesse de la machine.

- En augmentant la pression sur la pédale, on augmente progressivement la vitesse de la machine.

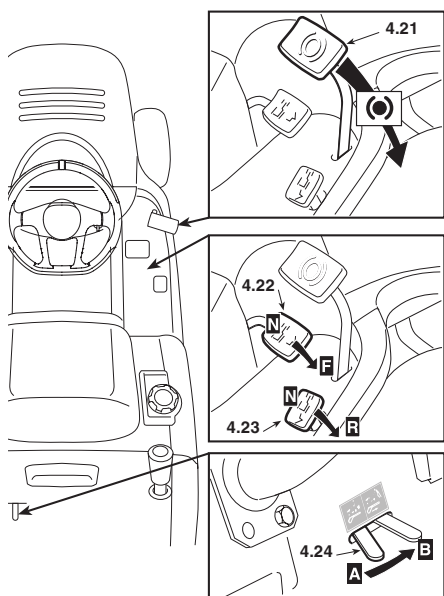
- Quand on relâche la pédale, on retourne automatiquement en position de point mort « N ».

- La condition de "Point mort" «N» est signalée par le voyant (4.13.j) allumé.

4.23 PÉDALE DE MARCHÉ ARRIÈRE

Avec cette pédale on met la traction des roues en marche arrière et on règle la vitesse de la machine.

- En augmentant la pression sur la pédale, on augmente progressivement la vitesse de la machine.
- Quand on relâche la pédale, on retourne automatiquement en position de point mort « N ».
- La condition de "Point mort" «N» est signalée par le voyant (4.13.j) allumé.



ATTENTION ! La marche arrière doit être insérée seulement à l'arrêt.

REMARQUE

Si l'une des pédales de la traction est actionnée avec le frein de stationnement (4.5) enclenché, le moteur s'arrête.

4.24 LEVIER DE DÉBLOCAGE DE LA TRANSMISSION HYDROSTATIQUE

Ce levier a deux positions, indiquées par une plaquette :



"A" = Transmission enclenchée : pour toutes les conditions d'utilisation, en marche et pendant la tonte ;



"B" = Transmission débloquée : réduit considérablement l'effort nécessaire pour déplacer la machine à la main, avec le moteur éteint.

5. RÈGLES D'UTILISATION

5.1 RECOMMANDATIONS POUR LA SÉCURITÉ

DANGER ! N'utiliser la machine que pour effectuer ce à quoi elle est destinée (tonte et ramassage de l'herbe). Toute autre utilisation est considérée comme un "emploi impropre" : dans ce cas, la garantie perd tout effet et le Fabricant décline toute responsabilité, en laissant à la charge de l'utilisateur les conséquences des dommages ou des lésions causés à lui-même ou à autrui.

Font partie de l'usage impropre (à titre d'exemple, mais pas seulement) :

- transporter sur la machine ou sur une remorque d'autres personnes, enfants ou animaux ;
- remorquer ou pousser des charges sans utiliser l'équipement spécialement prévu pour le remorquage ;
- utiliser la machine pour passer sur des terrains instables, glissants, glacés, rocailleux ou inégaux, des flaques ou des mares ne permettant pas d'évaluer la consistance du terrain ;
- utiliser la machine pour ramasser des feuilles ou des détritrus ;
- actionner les organes de coupe sur des sections non herbeuses.

DANGER ! Ne pas modifier ou enlever les dispositifs de sécurité dont la machine est équipée. NE PAS OUBLIER QUE L'UTILISATEUR EST TOUJOURS RESPONSABLE DES DOMMAGES CAUSÉS À AUTRUI.

Avant d'utiliser la machine :

- lire les consignes générales de sécurité (☛ 1.1), en accordant une attention toute particulière à la marche et à la tonte sur des terrains en pente ;
- lire attentivement les instructions, se familiariser avec les commandes et apprendre à arrêter rapidement les organes de coupe et le moteur.
- tenir les mains et les pieds éloignés des pièces tournantes. Se tenir toujours à l'écart de la goulotte d'éjection.

Ne pas utiliser la machine en cas de mauvaises conditions physiques ou sous l'effet de médicaments ou de substances pouvant nuire à la capacité de réflexe et de vigilance.

Il est de responsabilité de l'utilisateur d'évaluer les risques potentiels du terrain à travailler et de prendre toutes les précautions nécessaires pour assurer sa sécurité, et celle d'autrui, en particulier dans les pentes, sur les sols accidentés, glissants ou instables.

Ne pas laisser la machine arrêtée dans l'herbe haute avec le moteur en marche afin d'éviter de provoquer des incendies.

ATTENTION ! Cette machine ne doit pas être utilisée sur des pentes supérieures à 10° (17%) (☛ 5.5).

IMPORTANT

Toutes les références relatives aux positions des commandes sont celles illustrées dans le chapitre 4.

5.2 CRITÈRES D'INTERVENTION DES DISPOSITIFS DE SÉCURITÉ

Les dispositifs de sécurité agissent selon deux critères :

- empêcher le démarrage du moteur si toutes les conditions de sécurité ne sont pas respectées ;
- arrêter le moteur si ne serait-ce qu'une seule condition de sécurité n'est plus respectée.

Pour démarrer le moteur, il faut dans tous les cas que :

- la transmission soit au point mort ;
- les organes de coupe soient débrayés ;
- l'opérateur soit assis.

Le moteur s'arrête quand :

- l'opérateur abandonne le siège ;
- on soulève le sac de ramassage ou on enlève la protection d'éjection sans avoir débrayé les organes de coupe ;
- on passe la marche arrière lorsque les organes de coupe sont embrayés. Cette éventualité peut être exclue en maintenant le bouton 4.7. pressé.
- actionnement de la marche avant ou marche arrière avec le frein de stationnement enclenché ;

Le tableau suivant reporte certaines situations de travail et indique la cause de l'intervention.

OPÉRATEUR	SAC DE RAMASSAGE	ORGANES DE COUPE	TRANSMISSION	FREIN	MOTEUR
A) TABLEAU ACTIVÉ (Clé en position «MARCHÉ»)					
Assis	OUI	Débrayés	«N»	Enclenché	À l'arrêt
Assis	NO	Débrayés	«N»	Déclenché	À l'arrêt
B) DÉMARRAGE (Clé en position "DÉMARRAGE")					
Assis	-/	Débrayés	F/R (**)	Enclenché	NE démarre PAS
Assis	-/	Embrayés	«N»	Enclenché	NE démarre PAS
Absent	-/	Débrayés	«N»	Déclenché	NE démarre PAS
C) LORS DE LA MARCHÉ (Clé en position «MARCHÉ»)					
Assis	OUI	Débrayés	F/R (**)	Enclenché	S'arrête
Absent	OUI	Débrayés	«N»	Déclenché	S'arrête
D) PENDANT LA TONTE DE L'HERBE (Clé en position "MARCHÉ")					
Assis	NO	Embrayés	-/	Déclenché	S'arrête
Assis	OUI	Embrayés	R	Déclenché	S'arrête*
Absent	OUI	Débrayés	«N»	Déclenché	S'arrête
Absent	OUI	Embrayés	-/	Enclenché	S'arrête

* Cette éventualité peut être exclue en maintenant le bouton 4.7. pressé

** F : marche avant engagée - R: marche arrière engagée

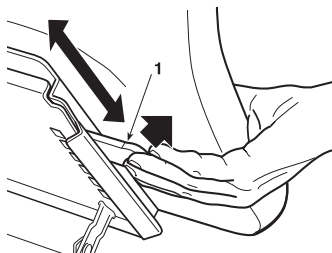
5.3 OPÉRATIONS À EFFECTUER AVANT DE COMMENCER LE TRAVAIL

Avant de commencer à travailler, il faut effectuer une série de contrôles et d'opérations pour assurer que le travail soit effectué de façon convenable et dans des conditions de sécurité maximales.

5.3.1 Réglage du siège

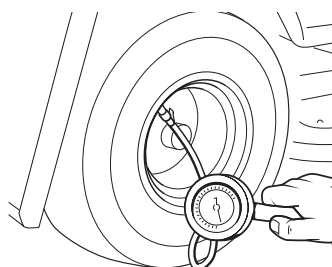
Le siège est coulissant et réglable sur six différentes positions.

Pour effectuer le réglage, soulever la poignée (1) et faire coulisser le siège jusqu'à ce qu'il se bloque dans la position désirée.



5.3.2 Pression des pneus

Dévisser les bouchons de protection et raccorder les valves à une prise d'air comprimé équipée d'un manomètre.



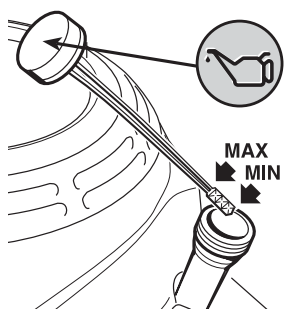
Une bonne pression des pneus est la condition essentielle pour obtenir un alignement parfait de l'ensemble des organes de coupe et donc une tonte uniforme de la pelouse. Les pressions doivent être :

AVANT	1,5 bar (13 x 5.00-6)
	1,0 bar (15 x 6.00-6)
ARRIÈRE	1,2 bar

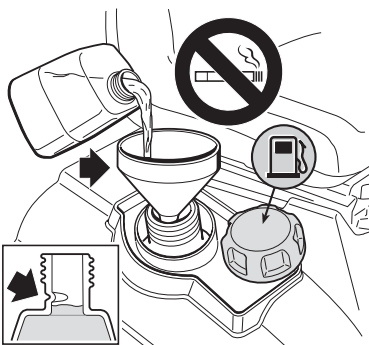
5.3.3 Faire le plein d'huile et d'essence

IMPORTANT Utiliser de l'huile SAE 10W30 et de l'essence sans plomb (verte) Euro 95.

IMPORTANT Faire tourner le moteur avec une quantité d'huile insuffisante peut l'endommager irréversiblement. L'utilisation d'une huile non détergente ou pour des moteurs à deux-temps peut réduire la longévité du moteur.



Sur une surface plane et avec le moteur à l'arrêt, retirez le bouchon avec la jauge et séchez-la. Introduisez-la au fond sans la visser, puis extrayez-la pour vérifier le niveau d'huile. Si le niveau est proche ou en-dessous de la limite inférieure (MIN) de la jauge, faire le plein jusqu'à atteindre la limite supérieure (MAX). Visser à nouveau le bouchon avec la jauge.



Faire le plein de carburant en utilisant un entonnoir.

Éviter de remplir complètement le réservoir ; le niveau maximal est indiqué sur le haut du réservoir.

Le contenu du réservoir est indiqué au chapitre 10.

IMPORTANT Les dommages provoqués à l'installation d'alimentation ou des problèmes de prestations du moteur issus de la négligence dans les opérations de stockage ne sont pas couverts par la garantie.

REMARQUE Si vous versez de l'essence sur la carrosserie, nettoyez immédiatement les traces.

⚠ DANGER ! Le plein doit s'effectuer quand le moteur est éteint, en plein air ou en tout lieu suffisamment aéré. Ne pas oublier que les vapeurs d'essence sont inflammables ! NE JAMAIS APPROCHER UNE FLAMME DU RÉSERVOIR POUR EN VÉRIFIER LE CONTENU ET NE PAS FUMER PENDANT LE PLEIN.

• Essence contenant alcool

IMPORTANT Si vous utilisez de l'essence contenant de l'alcool, vérifiez que son indice d'octane est au moins égal à l'indice conseillé par Honda (indice d'octane 86). Il existe deux types de mélange essence/alcool : l'un contenant de l'éthanol et l'autre du méthanol.

Caractéristiques du carburant nécessaires pour maintenir les performances du système de réglage des émissions : carburant E10 cité dans la norme UE.

Ne pas utiliser de mélange essence/alcool avec plus de 10 % d'éthanol. Ne pas utiliser d'essence avec un niveau de méthanol (alcool méthylique ou alcool de bois) supérieur à 5 % et sans solvants ou inhibiteurs de corrosion pour méthanol.

IMPORTANT

- Les dommages causés au système d'alimentation du carburant ou les problèmes de performances du moteur qui résultent de l'emploi d'essence contenant un niveau d'alcool supérieur à celui conseillé ne sont pas couverts par la garantie.
- Avant de faire le plein dans une station-service que vous ne connaissez pas, informez-vous si l'essence contient de l'alcool et, le cas échéant, quel est le type d'alcool et dans quel pourcentage.

Si lors de l'utilisation d'une essence spécifique, vous remarquez des problèmes de fonctionnement, optez pour une essence avec un niveau inférieur d'alcool à la quantité conseillée.

5.3.4 Contrôle du système de frein

S'assurer que la capacité de freinage de la machine est adaptée aux conditions d'utilisation, en évitant de débiter le travail si l'on doute de l'efficacité du frein. En cas de nécessité, réglez le frein (6.3.4) et si vous avez encore des doutes sur son efficacité, veuillez vous rendre chez votre concessionnaire.

5.3.5 Installation des protections d'éjection (sac de ramassage ou protection d'éjection)

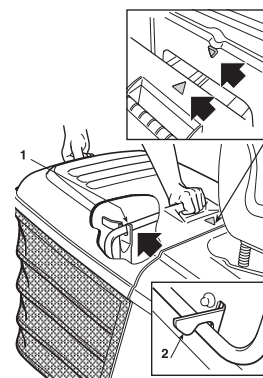
⚠ ATTENTION! Ne jamais utiliser la machine sans avoir installé les protecteurs de sortie!

▶ HF2•••HT•

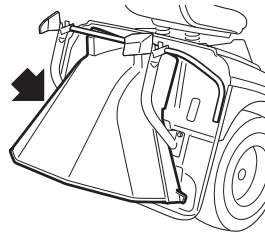
- Le montage des protecteurs doit se faire avec les leviers de renversement abaissés.

Accrocher le sac de ramassage en introduisant le tube supérieur du châssis dans les encoches des deux supports (1).

Pour centrer correctement le sac de ramassage, aligner les deux symboles reportés sur le sac de ramassage et sur la plaque arrière



S'assurer que le tube inférieur de l'entrée du sac de ramassage se fixe au crochet de fixation prévu à cet effet (2). Si l'accrochage est difficile ou trop relâché, régler le ressort de rappel (☛ 6.3.6).



Si l'on désire travailler sans le sac de ramassage, un kit protection d'éjection (☛ 8.2) est disponible en option. Il doit être fixé à la plaque arrière comme indiqué dans les instructions correspondantes.

5.3.6 Contrôle de la sécurité et de l'efficacité de la machine

1. Vérifier que les dispositifs de sécurité agissent conformément aux indications (☛ 5.2).
2. S'assurer que le frein fonctionne convenablement.
3. Ne pas commencer à couper si les organes de coupe vibrent ou si l'on a des doutes sur l'affûtage ; toujours se rappeler que :
 - Un organe de coupe mal aiguisé arrache l'herbe et fait jaunir la pelouse.
 - Un organe de coupe desserré cause des vibrations anormales et peut provoquer une situation de danger.

ATTENTION! *N'utilisez pas la machine si vous n'êtes pas sûrs de son efficacité et des conditions de sécurité, et contactez immédiatement votre Revendeur pour toutes les vérifications ou réparations nécessaires.*

5.4 UTILISATION DE LA MACHINE

5.4.1 Démarrage

DANGER! *Les opérations de démarrage doivent s'effectuer en plein air ou dans un endroit suffisamment aéré. NE PAS OUBLIER QUE LES GAZ D'ÉCHAPPEMENT DU MOTEUR SONT TOXIQUES!*

Pour démarrer le moteur:

- opérateur assis;
- mettre le levier de vitesses au point mort («N») (☛ 4.22) ;
- débrayer les organes de coupe (☛ 4.8) ;
- enclencher le frein de stationnement, sur les terrains en pente ;
- dans les cas de démarrage à froid, activer la commande Choke (☛ 4.2) ;
- en cas de moteur déjà chaud, il suffit de positionner le levier entre « LENT » et « RAPIDE » ;
- introduire la clé, la tourner sur « MARCHE » pour établir le contact électrique, puis la positionner sur « DÉMARRAGE » pour démarrer le moteur ;
- relâchez-la dès qu'il a démarré.

Lorsque le moteur est en marche, positionner l'accélérateur sur « LENT ».

IMPORTANT *La commande choke doit être désactivée dès que le moteur tourne régulièrement ; s'il est employé lorsque le moteur est déjà chaud, il peut salir la bougie et causer un fonctionnement irrégulier du moteur.*

REMARQUE *Si la mise en marche s'avère problématique, ne pas trop insister afin de ne pas décharger la batterie ou noyer le moteur. Replacer la clé sur « ARRÊT », attendre quelques secondes et répéter l'opération. Si le problème persiste, consulter le chapitre « 7 » de ce manuel et le manuel d'utilisation du moteur.*

IMPORTANT *Ne pas oublier que les dispositifs de sécurité empêchent le démarrage du moteur lorsque les conditions de sécurité ne sont pas respectées (☛ 5.2). Dans ces cas, après*

avoir rétabli la situation d'autorisation de démarrage, il faut reporter la clé sur « ARRÊT » avant de pouvoir démarrer à nouveau le moteur.

5.4.2 Marche avant et déplacements

ATTENTION! *La machine n'est pas homologuée pour circuler sur les voies publiques. Elle s'utilise exclusivement (conformément au Code de la Route) dans des zones privées interdites au trafic.*

Pendant les déplacements :

- débrayer les organes de coupe ;
- porter l'ensemble organes de coupe en position de hauteur maximum (position « 7 ») ;

Placer le levier de l'accélérateur dans une position intermédiaire entre « LENT » et « RAPIDE ».

Déclencher le frein de stationnement et relâcher la pédale du frein (☛ 4.21).

Appuyer sur la pédale de traction (☛ 4.22) et atteindre la vitesse désirée, en agissant sur la pédale et sur l'accélérateur.

ATTENTION! *L'embrayage de la traction doit être effectué selon les modalités déjà décrites (☛ 4.22) afin d'éviter qu'un embrayage trop brusque ne cause le braquage et la perte de contrôle du véhicule, en particulier dans les pentes.*

5.4.3 Freinage

Ralentir d'abord la vitesse de la machine en réduisant les tours du moteur puis appuyer sur la pédale du frein (☛ 4.21) pour réduire davantage la vitesse, jusqu'à l'arrêt du véhicule.

REMARQUE *Un ralentissement sensible de la machine est obtenu en relâchant la pédale de la traction en marche avant ou arrière.*

5.4.4 Marche arrière

L'engagement de la marche arrière DOIT s'effectuer à l'arrêt.

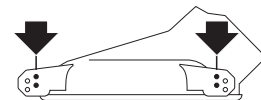
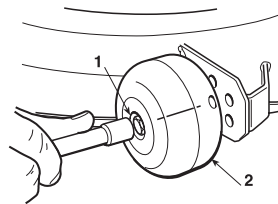
Quand la machine est arrêtée, commencer la marche arrière en appuyant sur la pédale de traction en direction « R » (☛ 4.23).

5.4.5 Tonte de la pelouse

Une fois que l'on est sur la pelouse à tondre, veiller à ce que le sac de ramassage ou la protection d'éjection soient correctement montés.

HF24 **HF26**

- Les roulettes anti scalp servent à toujours conserver une distance de sécurité entre le terrain et le bord de l'ensemble des organes de coupe afin d'empêcher que ce dernier ne puisse endommager la pelouse en cas de terrain irrégulier.
- Chacune des roulettes anti scalp de l'ensemble des organes de coupe peut être montée à deux hauteurs différentes : en position basse, elle sert à conserver une distance de sécurité ; en position élevée, son efficacité n'est plus garantie.



Pour changer de position, dévisser et sortir l'axe (1) et repositionner la roulette (2) dans le trou supérieur ou inférieur de la file indiqué sur l'image.

⚠ ATTENTION! Cette opération doit toujours être effectuée sur les quatre roulettes, LE MOTEUR ÉTEINT ET LES ORGANES DE COUPE DÉBRAYÉS.

Pour débiter la tonte :

- Placer l'accélérateur sur « RAPIDE ».
- porter l'ensemble des organes de coupe en position de hauteur maximum ;
- embrayer les organes de coupe (☛ 4.8) ;
- avancer très graduellement sur le gazon et en faisant bien attention, comme déjà décrit précédemment
- régler la vitesse d'avancement et la hauteur de tonte (☛ 4.6) selon les conditions de la pelouse (hauteur, densité et humidité de l'herbe) ; sur les terrains plats, on peut suivre les conseils indicatifs suivants :

Herbe haute et touffue - pelouse humide	2,5 km/h
Herbe moyenne	4 ... 6 km/h
Herbe basse - pelouse sèche	plus 6 km/h

La vitesse adéquate est obtenue de façon graduelle et progressive grâce à la pression exercée sur la pédale de traction.

⚠ ATTENTION! Pour les tontes sur terrains en pente, il faut réduire la vitesse d'avancement pour garantir les conditions de sécurité (☛ 1.2 - 5.5).

Il est dans tous les cas préférable de réduire la vitesse dès que le moteur peine ; ne pas oublier en effet que la tonte ne sera jamais bonne si la vitesse est trop élevée par rapport à la quantité d'herbe coupée.

Débrayer les organes de coupe et lever l'ensemble des organes de coupe en position de hauteur maximum dès qu'un obstacle doit être affronté.

5.4.6 Vidage du sac de ramassage

Ne pas attendre que le sac de ramassage soit trop plein, afin d'éviter que la goulotte d'éjection ne se bouche.

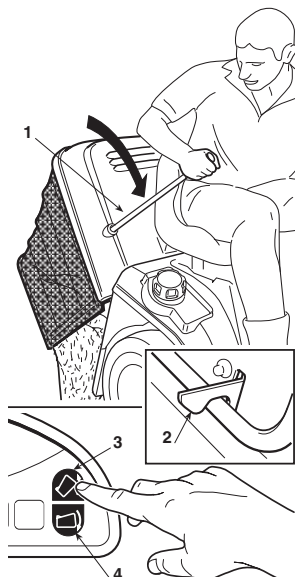
Un avertissement sonore intermittent et le clignotement du voyant (4.13.d) signale le remplissage du sac de ramassage ; il faut alors :

- réduire le régime du moteur ;
- mettre au point mort (N) (☛ 4.22 ou 4.23) et s'arrêter ;
- enclencher le frein de stationnement sur les pentes ;
- débrayer les organes de coupe (☛ 4.8) et l'avertissement s'interrompt.

▶ **HF2...HB• HF2...HM•**

REMARQUE N'effectuer cette opération que lorsque les organes de coupe sont débrayés ; dans le cas contraire, le moteur s'arrêterait.

- Extraire le levier (1) (☛ 4.11.1) et renverser le sac de ramassage pour le vider ;
- refermer le sac de ramassage de façon à ce qu'il reste fixé au crochet de fixation (2) et relâcher le levier (1).

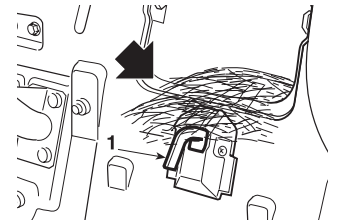


▶ **HF2...HT•**

REMARQUE La commande du renversement du sac de ramassage n'entre en fonction que lorsque les organes de coupe sont débrayés

- lorsque l'opérateur est assis, maintenir appuyé le bouton (3) (☛ 4.11.2) jusqu'à ce que le sac de ramassage soit entièrement renversé ;
- lorsque le vidage est terminé, maintenir appuyé le bouton (4) (☛ 4.11.3) jusqu'à ce que le sac de ramassage soit entièrement baissé, en vérifiant que le crochet de fixation reste accroché (2).

REMARQUE Il peut arriver qu'après avoir vidé le sac de ramassage, l'avertisseur sonore se déclenche à nouveau au moment de l'embrayage des organes de coupe, à cause des résidus d'herbe restés sur le palpeur (1) du microcontacteur de signalisation ; dans ce cas, il suffit de débrayer et d'embrayer immédiatement les organes de coupe pour l'arrêter. Si l'avertisseur sonore persiste, arrêter le moteur, ôter le sac de ramassage et enlever les débris d'herbe qui se seraient éventuellement accumulés sur le palpeur (1).



5.4.7 Vidage de la goulotte d'éjection

La tonte d'herbe très haute ou mouillée, unie à une vitesse d'avancement trop élevée, peut provoquer l'engorgement de la goulotte d'éjection. En cas d'engorgement, il faut :

- s'arrêter, débrayer les organes de coupe et arrêter le moteur ;
- enlever le sac de ramassage ou la protection d'éjection ;
- enlever l'herbe accumulée, en agissant depuis la partie de l'ouverture d'éjection de la goulotte.

⚠ ATTENTION! Cette opération doit toujours être effectuée avec le moteur coupé.

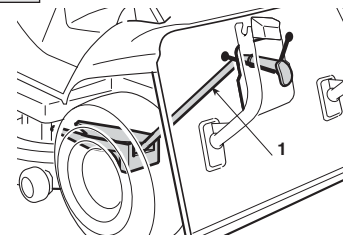
5.4.8 Fonction « mulching »

La fonction de « Mulching » consiste à recycler l'herbe à l'intérieur de l'ensemble des organes de coupe et simultanément la réduire en fils finement broyés, en les répandant régulièrement sur la pelouse.

Si l'herbe coupée est déchargée autour de l'ensemble des organes de coupe ou qu'elle se disperse en petits tas pendant l'opération de mulching, cela peut vouloir dire que l'herbe est trop longue ou que la taille de coupe est excessive. La taille de coupe pour le mulching doit être réglée à environ 1/3 de la hauteur de l'herbe (maximum 10-13 cm avant le mulching).

▶ **HF2317... HF2417HB•**

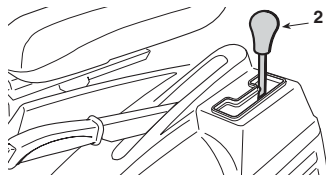
- Cet accessoire (disponible en option) doit être monté comme indiqué dans les consignes relatives.



▶ **HF2417HM• HF2417HT• HF2625H•**

- La machine est dotée d'un mécanisme qui permet de passer de la fonction ramassage de l'herbe à la fonction mulching. Veuillez vous assurer d'avoir bien compris les conditions d'emploi des deux fonctions avant de les utiliser.

- Pour activer ou désactiver la fonction de « Mulching », on utilise un levier (2) prévu à cet effet (☛ 4.12).



- Actionner le levier de la fonction mulching avec le sac de ramassage retiré de la machine, pour vous assurer qu'elle fonctionne librement et qu'elle n'est pas obstruée par l'herbe qui pourrait gêner son fonctionnement. S'il y a de l'herbe devant le volet, l'enlever à l'aide d'un bâton ou d'un outil similaire.

IMPORTANT Trop forcer le levier lorsque le câble n'est pas correctement réglé ou qu'il y a des dépôts d'herbe peut provoquer la rupture du câble ou la déformation du support causée par la charge excessive. Si l'on sent qu'un effort excessif est exercé sur le levier, ne pas forcer mais contacter son Distributeur.

Après la coupe

Après avoir terminé la session de coupe journalière, il est opportun de nettoyer les des organes de coupe, la goulotte d'éjection et le sac de ramassage de l'herbe de façon à éviter tout incident et à assurer un fonctionnement sans problème lorsque la machine sera utilisée la fois d'après.

Arrêter le moteur, ôter la clé, enclencher le frein de stationnement et retirer le sac de ramassage de l'herbe.

S'assurer que la goulotte d'éjection n'est pas bouchée par l'herbe en l'observant à travers l'ouverture d'éjection (si elle est bouchée, enlever l'herbe).

5.4.9 Fin de la tonte

Après la tonte, débrayer les organes de coupe, réduire le nombre de tours du moteur et lever l'ensemble des organes de coupe au maximum pour parcourir le trajet de retour.

5.4.10 Fin du travail

Arrêter la machine, positionner le levier de l'accélérateur sur « LENT » et couper le contact en positionnant la clé sur « ARRÊT ». Cette opération provoque la fermeture automatique du robinet du carburant.

ATTENTION! Ne pas oublier d'enlever la clé de contact avant de laisser la machine sans surveillance!

5.4.10 Nettoyage et remisage

Ranger la machine dans un lieu sec, à l'abri des intempéries et, si possible, la recouvrir avec une bâche. Après chaque utilisation, nettoyer l'extérieur de la machine, vider son sac de ramassage et le secouer pour le débarrasser de tout résidu d'herbe ou de terre. Chercher et éliminer toute accumulation d'herbe dans le compartiment moteur et au-dessus de l'ensemble des organes de coupe pour que la machine conserve un bon niveau d'efficacité.

ATTENTION! Toujours vider le sac de ramassage et ne pas laisser de récipients avec l'herbe coupée à l'intérieur d'un local.

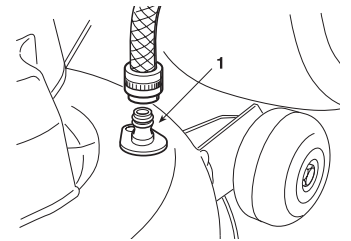
Laver les éléments en plastique de la carrosserie à l'aide d'une éponge imbibée d'eau et de détergent ; veiller à ne mouiller ni le moteur ni les composants de l'installation électrique ni la carte électronique située sous le tableau de bord.

IMPORTANT Ne jamais utiliser de lances à haute pression ni de liquides agressifs pour laver la carrosserie et le moteur!

Le lavage de l'intérieur de l'ensemble organes de coupe et de la goulotte d'éjection doit être effectué sur un sol résistant, avec :

- le sac de ramassage ou la protection d'éjection arrière montés ;
- l'opérateur assis ;
- le moteur en marche ;
- le changement de vitesses au point mort ;
- le frein de stationnement enclenché ;
- les organes de coupe débrayés.

Relier alternativement un tuyau d'arrosage aux raccords prévus à cet effet (1) et faire couler l'eau pendant quelques minutes dans chacun, avec les organes de coupe en mouvement.



Au cours du lavage, il est opportun que l'ensemble des organes de coupe soit entièrement baissé. Enlever ensuite le sac de ramassage, le vider, le rincer et le ranger de telle sorte qu'il puisse sécher rapidement.

IMPORTANT Pour ne pas nuire au bon fonctionnement de l'embrayage électromagnétique :

- éviter tout contact de l'huile avec l'embrayage ;
- ne pas diriger des jets d'eau à haute pression directement sur le groupe d'embrayage ;
- ne pas nettoyer l'embrayage à l'essence.

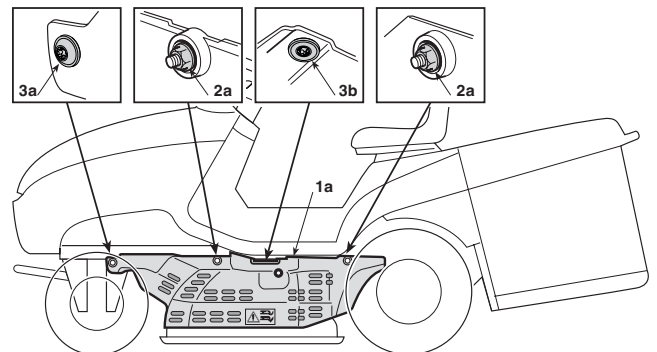
5.4.12 Retrait des protections de la courroie et nettoyage de l'ensemble organes de coupe

ATTENTION! Il faut éviter que des débris et des résidus d'herbe sèche ne s'accumulent sur la partie supérieure de l'ensemble des organes de coupe pour maintenir le niveau optimal d'efficacité et de sécurité de la machine. Cette opération doit être exécutée 2-3 fois par an et avant de laisser la machine inutilisée pendant longtemps (par exemple, mais pas seulement, en fin de saison).

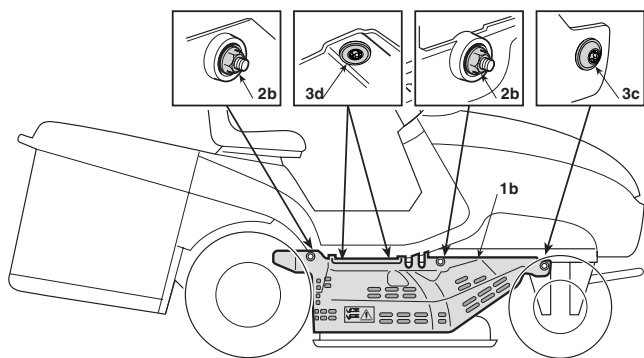
ATTENTION! Sur votre machine se trouvent deux protections des courroies de transmission (l'une à droite et l'autre à gauche), qui empêche les contacts accidentels lors de l'utilisation.

HF2317

- La protection gauche (1a) est fixée par :
 - – deux écrous (2a), dévissables avec une clé de 10 mm.
 - – une vis avant (3a) et une vis centrale (3b), dévissable avec une clé Torx T30 ;



- La protection droite (1b) est fixée par :
 - – deux écrous (2b), dévissables avec une clé de 10mm. ;
 - – une vis avant (3c) et deux vis centrales (3d), dévissables avec une clé Torx T30 ;

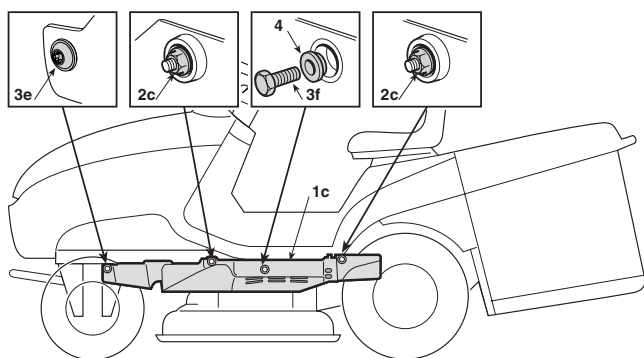


REMARQUE En retirant la protection gauche (1a), prenez garde à ne pas débrancher les tubes de leur raccord servant au lavage intérieur de l'ensemble organes de coupe.

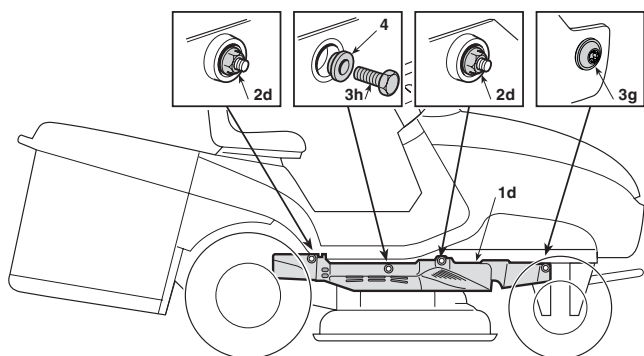
Au moment de remonter les protections gauche et droite, repositionner les écrous (2a) et (2b), puis toutes les vis.

▶ **HF24♦♦♦♦** **HF26♦♦♦♦**

- La protection gauche (1c) est fixée par :
- deux écrous (2c), dévissables avec une clé de 10 mm. ;
 - une vis avant (3e), dévissable avec une clé Torx T30 ;
 - une vis centrale (3f) avec une rondelle (4), dévissables avec une clé de 10 mm.



- La protection droite (1d) est fixée par :
- deux écrous (2d), dévissables avec une clé de 10 mm. ;
 - une vis avant (3g), dévissable avec une clé Torx T30.
 - une vis centrale (3h) avec une rondelle (4), dévissables avec une clé de 10 mm.



Lors du montage des protections gauche et droite, prenez garde à repositionner correctement les rondelles (4) sous les vis (3f) et (3h).

Pour enlever chaque protection et nettoyer l'ensemble des organes de coupe, il faut :

- mettre le plateau de coupe en position « 1 » (complètement abaissé) ;

- à l'aide des clés appropriées, dévisser tous les écrous et toutes les vis, à droite et à gauche, et retirer les deux protections gauche et droite ;
- en utilisant un jet d'air comprimé, éliminer les débris et les résidus d'herbe de la partie supérieure de l'ensemble organes de coupe.

ATTENTION! La machine ne doit pas être utilisée si les deux protections ne sont pas montées correctement. Remplacer toujours les protections si elles sont endommagées.

5.4.13 Remisage et inactivité prolongée

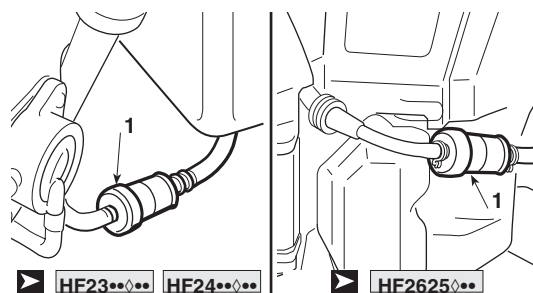
En cas d'arrêt prolongé de l'utilisation (plus d'un mois), veuillez déconnecter le câble de mise à la terre de la batterie (en noir). Lubrifier également toutes les articulations, selon les consignes données (☛ 6.2.1).

ATTENTION! Prendre bien soin de retirer les dépôts d'herbe sèche qui se seraient éventuellement accumulés à proximité du moteur et du silencieux d'échappement : cela évitera d'éventuels débuts d'incendie à la reprise du travail!

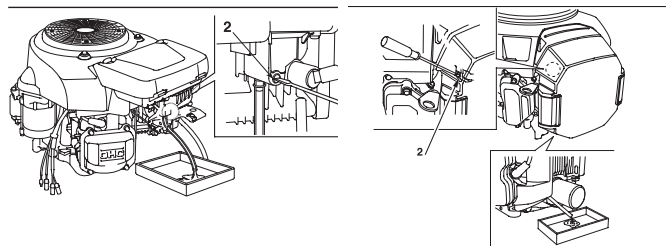
Vidanger le réservoir carburant en détachant le tube situé à l'entrée du filtre à essence (1) dans un récipient adapté.

Brancher à nouveau le tube de l'essence. Desserrer la vis de purge (2) du carburateur et vidanger l'essence dans un récipient adapté. Resserrer la vis de purge (2).

Démonter les deux bougies d'allumage et verser 1 cuillère à soupe d'huile moteur propre dans les cylindres. Faire tourner le moteur pendant 1 à 2 secondes avec le démarreur électrique en tournant la clé de contact. Cela permettra de bien répartir l'huile dans les cylindres. Revisser les bougies (☛ 6.4.5).



▶ **HF23♦♦♦♦** **HF24♦♦♦♦** ▶ **HF2625♦♦♦♦**



▶ **HF23♦♦♦♦** **HF24♦♦♦♦** ▶ **HF2625♦♦♦♦**

DANGER! L'essence est hautement inflammable. Conserver le carburant dans les bidons prévus à cet effet. Refermer correctement le réservoir et le récipient en serrant convenablement les bouchons.

IMPORTANT La batterie doit être conservée dans un lieu frais et sec. Avant une longue période de pause (supérieure à 1 mois), recharger toujours la batterie avec le chargeur fourni avec la machine et recharger avant de reprendre l'activité (☛ 6.2.3).

Lors de la reprise du travail, s'assurer qu'il n'y a pas de fuites d'essence des tubes et du carburateur.

5.4.14 Dispositif de protection de la carte

La carte électronique est munie d'une protection à redémarrage automatique qui interrompt le circuit en cas d'anomalie dans l'installation électrique ; cette intervention provoque l'arrêt du moteur et est signalée par un signal sonore qui se désactive une fois la clé retirée.

Le circuit se remet en marche automatiquement quelques secondes après ; rechercher et éliminer les causes de l'anomalie afin d'éviter de nouvelles interruptions.

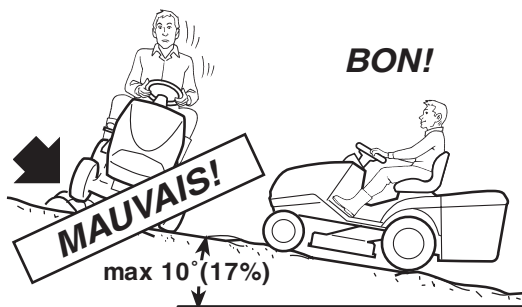
IMPORTANT Pour éviter l'intervention de la protection :

- ne pas inverser les pôles de la batterie ;
- ne pas utiliser la machine sans batterie, pour éviter d'abîmer le régulateur de charge ;
- veiller à ne pas provoquer de courts-circuits.

5.5 UTILISATION SUR TERRAINS EN PENTE

Dans le respect des limites indiquées (**max 10° - 17%**), les pelouses en pente se tondent en montant et en descendant - jamais transversalement ; faire très attention aux changements de direction : les roues qui se trouvent en amont ne doivent jamais rencontrer d'obstacles (cailloux, branches, racines, etc.) susceptibles de faire glisser la machine sur les côtés, de la retourner ou d'entraîner une perte de contrôle du véhicule.

L'icône (4.13.I) montre que l'angle d'inclinaison de la machine s'approche de la limite de pente recommandée.



⚠ DANGER ! RÉDUIRE LA VITESSE AVANT TOUT CHANGEMENT DE DIRECTION EN PENTE et ne pas oublier d'enclencher le frein de stationnement avant de laisser la machine à l'arrêt et sans surveillance.

⚠ ATTENTION! Sur les terrains en pente, il faut partir en marche avant en faisant très attention pour éviter le cabrage de la machine. Réduire la vitesse d'avancement avant d'affronter une pente, surtout en descente.

⚠ DANGER ! Ne jamais passer la marche arrière pour réduire la vitesse dans les pentes : cela pourrait provoquer la perte de contrôle du véhicule, surtout sur des terrains glissants.

Parcourir les descentes sans actionner la pédale de la traction (☛ 4.22), afin d'exploiter l'effet freinant de la transmission hydrostatique quand la transmission n'est pas insérée.

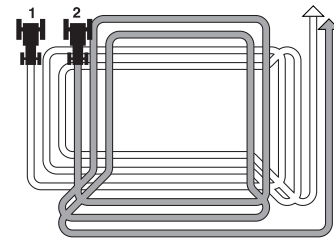
5.6 POSITION DE TRANSPORT

⚠ ATTENTION! Si la machine doit être transportée sur un camion ou une remorque, utiliser des rampes d'accès ayant une résistance, une largeur et une longueur adéquates. Charger la machine avec le moteur éteint, sans conducteur, et en la poussant seulement, avec l'effort d'un nombre de personnes adéquat. Pendant le transport, abaisser l'en-

semble des organes de coupe, enclencher le frein de stationnement et fixer adéquatement la machine au moyen de transport avec des câbles ou des sangles.

5.7 QUELQUES CONSEILS POUR EXECUTER UN BONNE TONTE

1. Pour garder une pelouse d'un bel aspect, verte et souple, il faut la tondre régulièrement et sans traumatiser l'herbe.
2. Il est toujours préférable de tondre l'herbe quand la pelouse est bien sèche.
3. Les organes de coupe doivent être intègres et bien affûtés, de façon à ce que la coupe soit nette et sans effilochements qui entraînent le jaunissement des pointes.
4. Le moteur doit être utilisé au maximum des tours, aussi bien pour assurer une tonte nette de l'herbe que pour obtenir une bonne poussée de l'herbe coupée à travers la goulotte d'éjection.
5. La fréquence des tontes doit être proportionnelle à la croissance de l'herbe, en évitant qu'entre une tonte et l'autre l'herbe pousse trop.
6. Pendant les périodes les plus chaudes et sèches, il est conseillé de garder l'herbe légèrement plus haute afin de réduire le dessèchement du terrain.
7. Si l'herbe est très haute, il vaut mieux la tondre en deux fois, à un jour d'intervalle : passer une première fois sur la pelouse avec les organes de coupe levés à la hauteur maximum et avec une largeur éventuellement réduite ; passer la deuxième fois à la hauteur désirée.
8. L'aspect de la pelouse sera meilleur si les tontes sont exécutées en les alternant dans les deux directions.



9. Si la goulotte d'éjection se bouche, réduire la vitesse de déplacement car celle-ci peut être excessive par rapport aux conditions du gazon ; si le problème persiste, les organes de coupe ne sont pas assez affûtés ou le profil des ailettes est déformé.
10. Faire très attention à proximité des buissons et des bordures car ils pourraient endommager le parallélisme, le bord de l'ensemble organes de coupe et les organes de coupe.

5.8 RÉCAPITULATIF DES PRINCIPALES ACTIONS A ACCOMPLIR SELON LES DIFFÉRENTES SITUATIONS D'UTILISATION

Pour ...	Il faut ...
Démarrer le moteur (☛ 5.4.1)	Prévoir les situations d'autorisation au démarrage et actionner la clé.
Avancer en marche avant (☛ 5.4.2)	Régler l'accélérateur ; Enfoncer la pédale de la traction en avant (☛ 4.22).
Freiner ou s'arrêter (☛ 5.4.3)	Réduire le régime moteur et appuyer sur la pédale du frein.
Faire marche arrière (☛ 5.4.4)	Arrêter la machine ; Enfoncer la pédale de la traction en arrière (☛ 4.23).
Tondre la pelouse (☛ 5.4.5)	Accrocher le sac de ramassage ou la protection arrière ; Régler la hauteur des roulettes anti scalp (sauf : HF2317***) ; Régler l'accélérateur ; Activer les organes de coupe ; Régler la hauteur de tonte ; Enfoncer la pédale de la traction en avant (☛ 4.22) ;
Vider le sac de ramassage (☛ 5.4.6)	Arrêter l'avancement, débrayer les organes de coupe et actionner les commandes pour le renversement du sac de ramassage.
Déboucher la goulotte déjection (☛ 5.4.7)	Actionner plusieurs fois le levier de réglage de la hauteur de coupe, de façon à secouer la goulotte d'éjection et la libérer. Arrêter l'avancement, débrayer les organes de coupe et arrêter le moteur ; enlever le sac de ramassage et nettoyer la goulotte.
Activer la fonction de « Mulching » (☛ 5.4.8)	☛ HF2317** ☛ HF2417HB* Cet accessoire (disponible en option) doit être monté comme indiqué dans les consignes correspondantes. ☛ HF2417HM* ☛ HF2417HT* ☛ HF2625** Pour activer ou désactiver la fonction de « Mulching », on utilise un levier prévu à cet effet (☛ 4.12).
Terminer la tonte (☛ 5.4.9)	Débrayer les organes de coupe et réduire les tours du moteur
Arrêter le moteur (☛ 5.4.10)	Réduire les tours du moteur, attendre quelques secondes, actionner la clé.
Ranger la machine (☛ 5.4.11)	Enclencher le frein de stationnement, enlever la clé et, si nécessaire, laver la machine, l'intérieur de l'ensemble des organes de coupe, la goulotte et le sac de ramassage.

doivent jamais être réparées. N'utiliser que des pièces de rechange d'origine : les pièces de qualité non équivalente peuvent endommager la machine et compromettre votre sécurité et celle des autres.

IMPORTANT

Ne jamais répandre les huiles usées, l'essence ou tout autre produit susceptible de polluer l'environnement!

Récapitulatif des principales situations qui peuvent nécessiter une intervention.

Chaque fois que ...	Il faut ...
Les organes de coupe vibrent	Vérifier leur fixation (☛ 6.3.1) ou équilibrer les organes de coupe (☛ 6.3.1)
Les organes de coupe arrachent l'herbe et la pelouse jaunit.	Aiguiser les organes de coupe (☛ 6.3.1)
La tonte est irrégulière	Régler l'alignement de l'ensemble organes de coupe (☛ 6.3.2)
L'embrayage des organes de coupe est irrégulier	Régler l'embrayage (☛ 6.3.3)
La machine ne freine pas	Régler le ressort du frein (☛ 6.3.4)
L'avancement est irrégulier	Régler le ressort du tendeur (☛ 6.3.5)
Le sac de ramassage cahote et tend à s'ouvrir	Régler le ressort (☛ 6.3.6)

6. ENTRETIEN

6.1 RECOMMANDATIONS POUR LA SÉCURITÉ

⚠ ATTENTION! **Enlever la clé et lire les instructions correspondantes avant d'entamer tout nettoyage, entretien ou réparation. Porter des vêtements appropriés et des gants de travail pour le démontage et le remontage des organes de coupe et dans toutes les situations entraînant un risque pour les mains. Avant de procéder à l'entretien, s'assurer que le moteur est froid.**

⚠ ATTENTION! **Ne jamais utiliser la machine si certaines de ses pièces sont usées ou endommagées. Les pièces défectueuses ou détériorées doivent être remplacées et ne**

6.2 ENTRETIEN PERIODIQUE

6.2.1 GUIDE A L'ENTRETIEN PROGRAMMÉ

Le but de ce tableau est de vous aider à maintenir votre machine efficace et sûre. Il rassemble l'ensemble des principales opérations d'entretien et de lubrification avec l'indication de la périodicité à laquelle elles doivent être effectuées.

▶ **HF2417...** **HF2625...**

- Ne pas oublier de réinitialiser le voyant et la périodicité de maintenance (4.13.m) après chaque intervention.

OPÉRATION	ACTION	FRÉQUENCE				
		À CHAQUE UTILISATION	3 MOIS ou 20 HEURES	6 MOIS ou 50 HEURES	1 AN ou 100 HEURES	300 HEURES
Procéder à l'entretien à chaque intervalle d'heures ou de mois de fonctionnement, en fonction de celui qui aura lieu en premier						
Huile moteur	Contrôle	●				
	Vidange		● (1)	●		
Filtre de l'air	Contrôle	●				
	Contrôle			◆		
	Remplacement				● (3)	● (4)
Grille du conduit de l'air de refroidissement	Contrôle	●				
Silencieux	Contrôle	●				
Grille du ventilateur de refroidissement	Contrôle	●				
Batterie	Chargement				● (*)	
	Vérifier le niveau de l'électrolyte	●				
	Vérifier le niveau de l'électrolyte et la densité de l'acide			●		
Pneus et pression de gonflage	Contrôle	●				
Courroie de l'ensemble organes de coupe	Contrôle	●				
Courroie de transmission	Contrôle		●			
Frein	Condition du frein	●				
	Serrage du frein et de la tige de commande de l'embrayage		● (1)	● (2)		
	Course pédale de frein			●		
	Frein de stationnement			●		
Condition des boulons des organes de coupe	Inspection	●				
Serrage des boulons des organes de coupe	Contrôle			●	●	
Condition des organes de coupe	Contrôle	●				
Graissage axe avant et arrière	Graissage			●		
Bougie	Contrôle et nettoyage				●	
	Remplacement					●
Câble de l'accélérateur	Contrôle et réglage			●		
Réservoir, tuyau et filtre	Contrôle et réglage					●
Jeu des valves	Contrôle, remplacement si nécessaire					●
Ailettes du moteur et cloison	Contrôle et réglage					●
Bague de pédale d'actionnement	Nettoyage			●		
Système mulching	Contrôle et nettoyage	●				
	Réglage (si nécessaire)					●

(*) Si la machine n'a pas été utilisée plus d'1 mois.

◆ Nettoyer plus fréquemment le filtre à air si la machine est utilisée dans des milieux poussiéreux.

(1) Utiliser cet intervalle uniquement pour le premier entretien.

(2) Cet intervalle se rapporte au deuxième entretien et aux

entretiens suivants.

(3) GCV530

(4) GXV690H

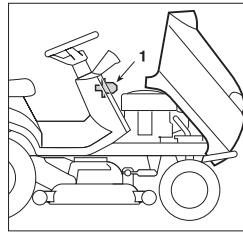
6.2.2 Axe arrière

Il est constitué d'un groupe monobloc scellé et ne nécessite pas d'entretien ; il est chargé de lubrifiant permanent, qui n'a pas besoin de remplacement ou d'appoint.

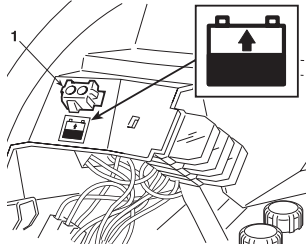
6.2.3 Batterie

Un entretien soigneux de la batterie est un élément essentiel pour garantir une longue durée de vie. La batterie de votre machine doit impérativement être chargée :

- avant d'utiliser la machine, la première fois après l'avoir achetée (☛ 3.1) ;
- avant chaque période d'inactivité prolongée de la machine ;
- avant de la mettre en service après une période d'inactivité prolongée.



La machine est équipée d'un connecteur (1) pour la recharge. Celui-ci doit être branché au connecteur correspondant du chargeur de batteries de maintien fourni.



IMPORTANT

Ce connecteur sert exclusivement au branchement du chargeur de batterie.

Lors des périodes d'inactivité, le niveau de charge peut être maintenu en utilisant le chargeur de batterie de maintien fourni.

IMPORTANT

Le maintien de la charge doit se faire avec le chargeur de batterie, selon les consignes reportées dans les instructions d'utilisation. D'autres systèmes de charge peuvent endommager irrémédiablement la batterie.

Une batterie déchargée doit être rechargée au plus vite, sans quoi les dommages sur les éléments de la batterie pourraient être irréversibles.

Contrôler périodiquement le niveau de l'électrolyte ; pour les éventuels pleins, utiliser EXCLUSIVEMENT de l'eau distillée pour batteries.

6.3 CONTROLES ET RÉGLAGES

6.3.1 Démontage, aiguisage et équilibrage des organes de coupe

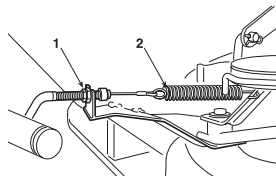
Un organe de coupe mal aiguisé arrache l'herbe, réduit la capacité de chargement et fait jaunir la pelouse.

IMPORTANT

Pour accéder aux organes de coupe, il est opportun de retirer l'ensemble des organes de coupe équipé d'un dispositif de décrochage rapide qui facilite son retrait de la machine.

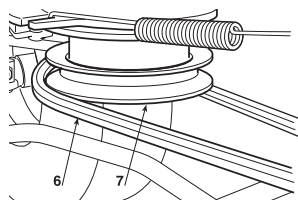
a) Retrait de l'ensemble des organes de coupe

Enlever les protections latérales avant de retirer l'ensemble des organes de coupe. (☛ 5.4.12).

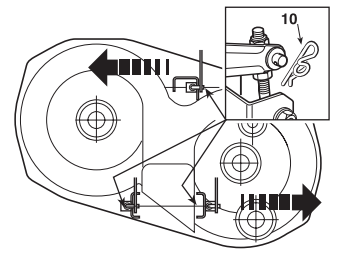
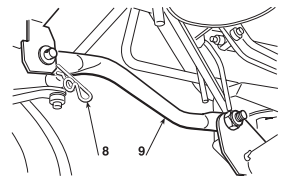


▶ HF2317◆◆

- Après avoir placé le levier de réglage de la hauteur de coupe sur la position «1», desserrer le dispositif de réglage du câble d'embrayage (1) et décrocher le ressort (2).



- Libérer la courroie des organes de coupe (6) de la poulie de l'embrayage (7).
- Extraire les deux goupilles de sécurité (8) qui fixent les deux bielles (9) au châssis.
- Décrocher les trois goupilles de sécurité (10) de blocage des pivots sur les leviers de soulèvement, en ayant soin de ne pas toucher aux écrous et contre-écrous pour pouvoir retrouver au montage les mêmes situations de parallélisme.

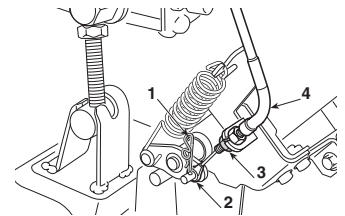


- Après avoir vérifié qu'il n'y a aucun problème, on peut enlever l'ensemble des organes de coupe, en le dégageant vers la gauche, pour que tous les pivots sortent de leurs sièges.

- Lors du montage, effectuer dans l'ordre inverse les opérations susmentionnées en veillant à ce que la partie terminale antérieure de la goulotte déjection s'engage correctement à la sortie de l'ensemble des organes de coupe.

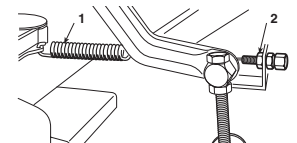
▶ HF2417HM◆ HF2417HT◆ HF2625H◆

- Enlever le câble d'actionnement du "Mulching". Enlever la goupille (1) et extraire l'œillet (2). Desserrer l'écrou (3) et enlever le câble (4).

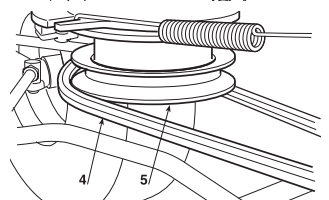


▶ HF24◆◆◆ HF26◆◆◆

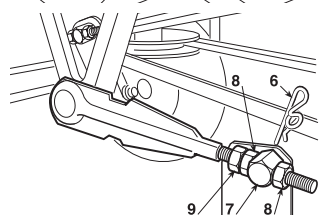
- Amener le levier de réglage de la hauteur de tonte sur la position "1".



- Décrocher le ressort (1) de l'embrayage des organes de coupe.



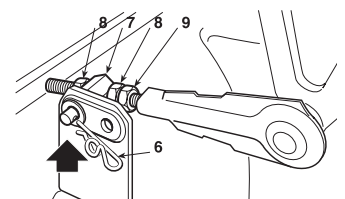
- Desserrer la vis de registre (2) et l'extraire de son logement



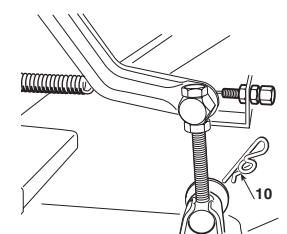
- Libérer la courroie des organes de coupe (4) de la poulie de l'embrayage (5).

▶ HF24◆◆◆

- Dévisser les deux goupilles de sécurité (6) des deux pivots (7) des bielles antérieures, sans desserrer ni modifier la position des écrous (8) et des contre-écrous (9).

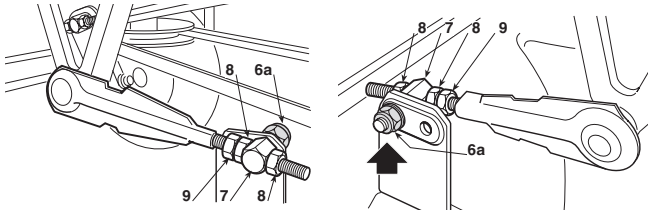


- Enlever les deux goupilles de sûreté (10) des pivots postérieurs, puis, après avoir vérifié qu'il n'y a aucun empêchement, il est possible d'enlever l'ensemble des organes de coupe en le retirant de sorte que tous les pivots sortent de leurs sièges.

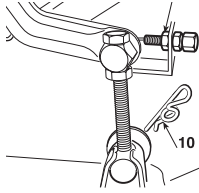


HF26

Dévisser les deux écrous (6a) des deux pivots (7) des bielles antérieures, sans desserrer ni modifier la position des écrous (8) et des contre-écrous (9).
Enlever les deux goupilles de sûreté (10) des pivots postérieurs, puis, après avoir vérifié qu'il n'y a aucun empêchement, il est possible d'enlever l'ensemble des organes de coupe en le retirant de sorte que tous les pivots sortent de leurs sièges.



Lors du montage, veiller à utiliser les deux trous postérieurs des équerres pour la fixation des pivots (7) ; effectuer dans l'ordre inverse les opérations susmentionnées en vérifiant que la partie terminale antérieure de la goulotte d'éjection s'engage correctement à la sortie de l'ensemble des organes de coupes.

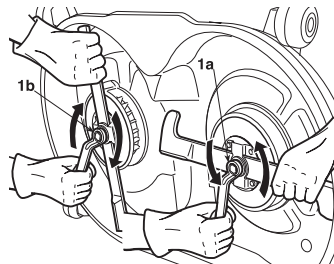


B) Démontage, aiguisage et équilibrage des organes de coupe

ATTENTION! Toutes les opérations concernant les organes de coupe (démontage, aiguisage, équilibrage, remontage et remplacement) sont des travaux compliqués qui requièrent une compétence spécifique ainsi que l'utilisation d'outillages spéciaux ; pour des raisons de sécurité, il est donc toujours conseillé de les faire exécuter dans un centre spécialisé, si l'on ne dispose pas des outillages ou des connaissances adéquats.

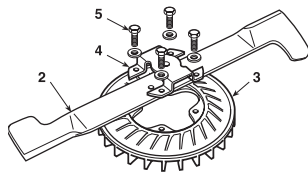
ATTENTION! Porter des gants robustes pour manipuler les organes de coupe.

Pour démonter un organe de coupe, le saisir fermement et dévisser la vis centrale (1a - 1b) à l'aide d'une clé de 15 mm dans le sens indiqué par la flèche pour chaque organe de coupe étant donné que les vis de fixation sont, l'une, avec filetage à pas droit, et l'autre, avec filetage à pas gauche.

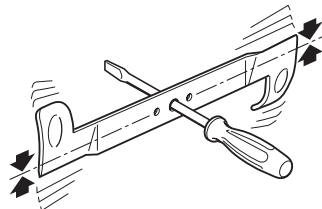


- 1a = vis avec filetage à droite (dévisser dans le sens contraire des aiguilles d'une montre)
- 1b = vis avec file à gauche (dévisser dans le sens des aiguilles d'une montre)

L'organe de coupe (2) est fixé à la roue à ailettes (3) par un support (4) et quatre vis avec rondelles (5). Avec une clé de 10 mm, dévisser les quatre vis (5) et libérer l'organe de coupe (2) du support (4).



Aiguiser les deux tranchants de l'organe de coupe en utilisant une meule à grain moyen et vérifier l'équilibrage de l'organe de coupe en le soutenant avec un tournevis introduit dans le trou central.



ATTENTION! Toujours remplacer les organes de coupe endommagés ou tordus ; ne jamais essayer de les réparer !
TOUJOURS UTILISER LES ORGANES DE COUPE ORIGINAUX !

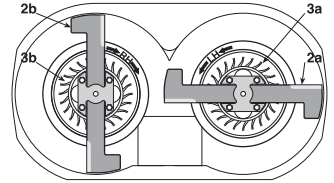
Sur cette machine n'employer que les paires des organes de coupe

HF 2317 :	2b	80395-Y09-003 (82004345/1)	-	80394-Y09-003 (82004344/1)	2a
HF 2417 :	2b	72511-VK1-A11 (82004341/1)	-	72531-VK1-A11 (82004340/1)	2a
HF 2625 :	2b	72511-VK1-B11 (82004343/0)	-	72531-VK1-B11 (82004342/0)	2a

suivantes :

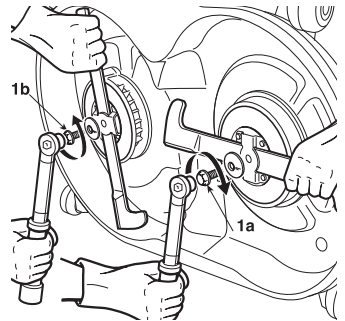
ATTENTION! Les organes de coupe (2) et les roues à ailettes (3) sont différents entre eux et contrarotatifs. Lors de leur montage, vérifier que les positions initiales sont respectées.

Remonter chaque organe de coupe (2a - 2b) sur sa roue à ailettes (3a - 3b) en suivant les indications "RH" (droite) et "LH" (gauche) gravées sur la roue et à l'intérieur de l'ensemble des organes de coupe, puis serrer les quatre vis (5) et leurs rondelles à l'aide d'une clé dynamométrique tarée à 9,5 Nm.

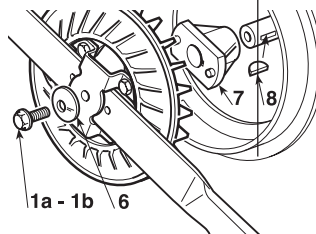


REMARQUE Les indications « droite » et « gauche » sont référées à la position de conduite.

ATTENTION! Si, pendant le démontage des organes de coupe, un moyeu ou les deux moyeux (7) sont sortis de l'arbre, s'assurer que les clavettes (8) sont bien insérées dans leurs sièges respectifs. Lors du montage, respecter les séquences indiquées en veillant à ce que les ailettes des organes de coupe soient tournées vers l'intérieur de l'ensemble des organes de coupe et que la partie concave du disque élastique (6) soit en appui contre l'organe de coupe. Serrer les vis de fixation (1a - 1b), en utilisant une clé dynamométrique tarée à 45-50 Nm.



- 1a = vis avec filetage à droite (serrer dans le sens des aiguilles d'une montre)
- 1b = vis avec file à gauche (serrer dans le sens contraire des aiguilles d'une montre)



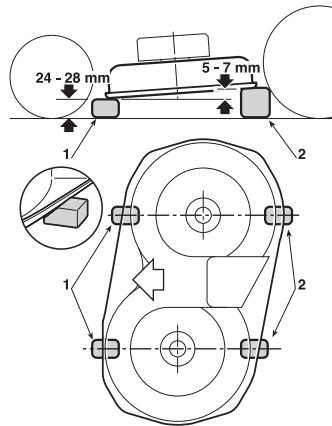
6.3.2 Alignement de l'ensemble des organes de coupe

Pour tondre une pelouse de manière uniforme, il est essentiel que l'ensemble des organes de coupe soit bien réglé.

REMARQUE

Pour obtenir une bonne tonte, il est opportun que la partie avant soit toujours plus basse de 5 - 7 mm par rapport à la partie arrière.

- Garer la tondeuse sur une surface plane et contrôler la bonne pression des pneus ;
- au niveau de la ligne médiane des organes de coupe, placer deux cales (1) de 24-28 mm sous le bord antérieur de l'ensemble des organes de coupe et deux cales (2) 5-7 mm plus épaisses sous le bord postérieur ;
- mettre le levier de levage en position «1».

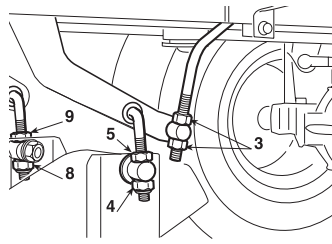


▶ HF2317♦♦♦

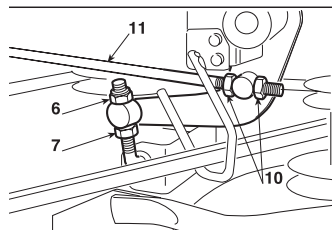
- Dévisser complètement les deux écrous (3), les écrous (4 - 6 - 8) et les contre-écrous (5 - 7 - 9) des trois bielles d'articulation jusqu'à ce que l'ensemble des organes de coupe se pose sur les cales ;
- visser les deux écrous supérieurs droits (6 - 8) et l'écrou inférieur gauche (4) jusqu'à ce que l'ensemble des organes de coupe commence à se soulever ; bloquer les trois contre-écrous (5 - 7 - 9) et actionner les écrous (3) jusqu'à ce qu'un mouvement minimum du levier de levage provoque un mouvement analogue de toutes les bielles de levage.

- On peut compenser une certaine différence de hauteur par rapport au terrain entre le bord droit et le bord gauche de l'ensemble des organes de coupe en agissant opportunément sur les deux écrous (4 - 8) et contre-écrous (5 - 9) des seules bielles postérieures.

- Mettre le levier de commande sur 2 ou 3 positions différentes, en vérifiant que l'ensemble des organes de coupe se soulève uniformément et que, dans chaque position, il maintient une hauteur constante par rapport au terrain entre le bord antérieur et le bord postérieur.



- Si la partie antérieure a tendance à anticiper ou retarder la montée par rapport à la position, il est possible de régulariser le mouvement en agissant opportunément sur les écrous (10) de la tige de liaison (11).



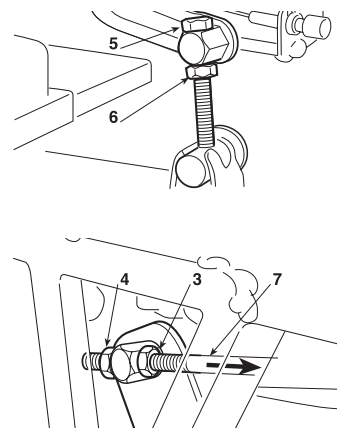
- Si l'on serre les écrous sur la tige, la partie antérieure a tendance à se soulever et à anticiper la montée ; si on les desserre, on obtient l'effet contraire.

▶ HF24♦♦♦♦

▶ HF26♦♦♦♦

- Dévisser les écrous (3), les vis (5) et les contre-écrous (4 - 6) aussi bien sur le côté droit que sur le côté gauche de sorte que l'ensemble des organes de coupe repose stablement sur les

- cales ;
- pousser vers l'arrière les deux tiges de connexion (7) et visser sur leurs tiges respectives les deux écrous (3), jusqu'à ce qu'on remarque le début du soulèvement de la partie antérieure de l'assemblage d'organes de coupe, tant à droite qu'à gauche ;
- puis bloquer les deux contre-écrous relatifs (4) ;
- agir sur les deux vis postérieures (5) jusqu'à ce qu'on remarque le début du soulèvement de la partie postérieure de l'ensemble des organes de coupe, tant à droite qu'à gauche ; puis bloquer les contre-écrous relatifs (6).



Si l'on ne parvient pas à obtenir un réglage optimal de l'ensemble des organes de coupe, consulter son Concessionnaire.

6.3.3 Réglage de l'embrayage et du frein des organes de coupe

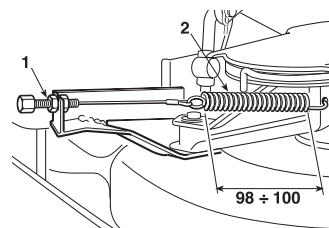
Lorsqu'on actionne la commande pour débrayer les organes de coupe, on actionne en même temps un frein qui arrête sa rotation en quelques secondes.

L'allongement du câble et/ou les variations de longueur de la courroie peuvent entraîner un embrayage et une rotation irréguliers des organes de coupe.

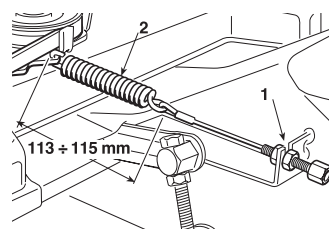
Dans ce cas, actionner le registre selon les différentes modalités prévues pour chaque modèle.

Actionner le registre (1) jusqu'à obtenir la bonne longueur du ressort (2).

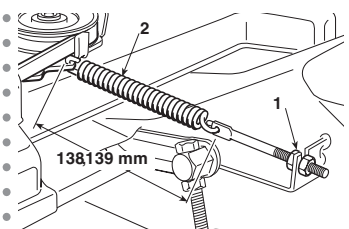
▶ HF2317♦♦♦



▶ HF2417♦♦♦



▶ HF2625♦♦♦



Si toutefois, après le réglage, l'embrayage ne parvient pas à actionner régulièrement la courroie ou que l'arrêt des organes de coupe ne pas lieu dans les secondes qui suivent, contacter immédiatement le Concessionnaire.

6.3.4 Réglage du frein

Le prolongement des distances de freinage par rapport aux valeurs indiquées (☛ 5.3.6), demande le réglage du ressort du frein.

Le réglage doit être effectué avec le frein de stationnement enclenché.

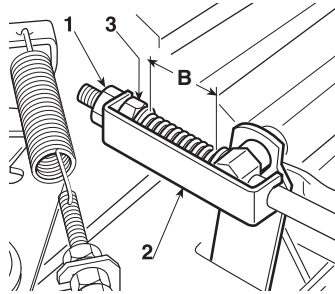
L'accès au réglage est possible en ouvrant le volet se trouvant sur le

tunnel à la base du siège.

Desserrer l'écrou (1) qui fixe l'étrier (2) et agir sur l'écrou (3) jusqu'à obtenir une longueur du ressort de :

$$B = 45 - 47 \text{ mm}$$

mesurée à l'intérieur des rondelles. Une fois le réglage effectué, bloquer l'écrou (1).



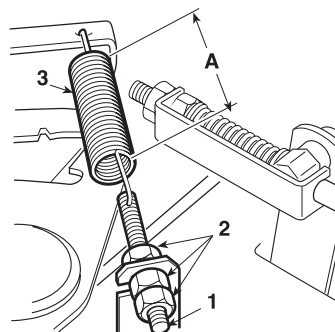
IMPORTANT

Ne jamais visser en dessous de ces valeurs pour éviter de surcharger le groupe frein.

ATTENTION! Si, après ce réglage, le frein ne fonctionne pas correctement, contacter immédiatement le Concessionnaire. NE PAS TENTER D'AUTRES INTERVENTIONS SUR LE FREIN EN PLUS DE CELLE DÉCRITE.

6.3.5 Réglage de la tension de la courroie de traction

Si la machine présente une insuffisante capacité d'avancement, il faut agir sur la tension du ressort du tendeur jusqu'à rétablir les conditions optimales de fonctionnement. L'accès au réglage est possible en ouvrant le volet se trouvant sur le tunnel à la base du siège.



Dévisser les écrous de blocage (2) et desserrer ou serrer au besoin la vis (1) pour obtenir la longueur « A » du ressort (3) de :

$$A = 109 - 111 \text{ mm}$$

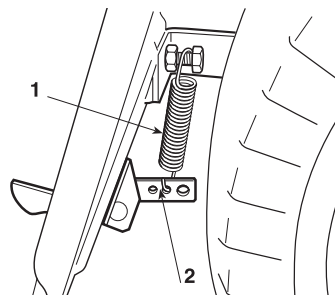
mesurée à l'extérieur des spires. Une fois le réglage effectué, bloquer les écrous (2).

REMARQUE

En cas de remplacement de la courroie, faire très attention au cours des premières utilisations car l'embrayage pourrait être plus brusque tant que la courroie n'est pas suffisamment rodée.

6.3.6 Réglage du ressort du crochet de fixation du sac de ramassage

Si le sac de ramassage tend à cahoter et à s'ouvrir sur des terrains irréguliers ou que l'opération de raccrochage après le vidage s'avère difficile, régler la tension du ressort (1).

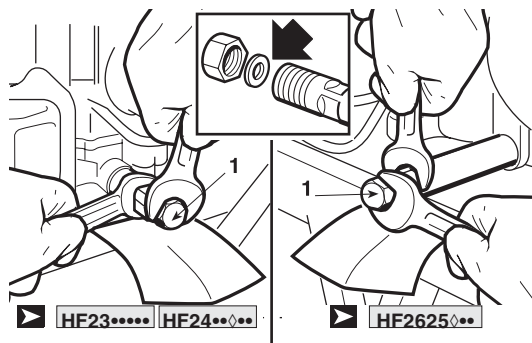


Modifier le point d'attache en utilisant un des trous (2) jusqu'à obtenir le résultat désiré.

6.4 INTERVENTIONS DE DEMONTAGE ET REMPLACEMENT

6.4.1 Remplacement huile moteur

Vidanger l'huile lorsque le moteur est froid.



Extraire

le bouchon de remplissage avec la tige et placer un carton ou un objet similaire sous le tube d'échappement, pour éviter que l'huile s'écoule sur le châssis de la machine.

Dévisser le bouchon (1) ; en remontant le bouchon, prenez garde au positionnement du joint interne.

Effectuer le remplissage avec l'huile conseillée, jusqu'à atteindre la limite supérieure de la jauge (☛ 5.3.3). Visser à nouveau le bouchon avec la jauge.

6.4.2 Changement du filtre à huile

1. Faire la vidange de l'huile moteur (☛ 6.4.1).
2. Enlever le filtre à huile (1) avec la clé à filtre (2) et faire la vidange de l'huile restante. Jeter le filtre à huile.
3. Nettoyer la base du filtre (3).
4. Recouvrir le nouveau joint torique (4) sur le nouveau filtre avec de l'huile moteur propre.
5. Installer le nouveau filtre à huile sur la base du filtre et serrer à la main jusqu'à ce que le joint torique se trouve dans son emplacement contre la base du filtre.
6. Visser le filtre à huile en respectant le couple de serrage (12 Nm - 1,20 kgm).

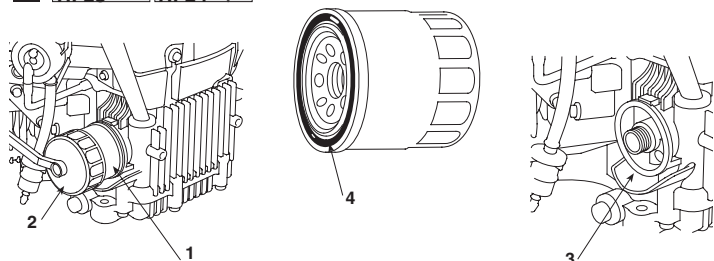
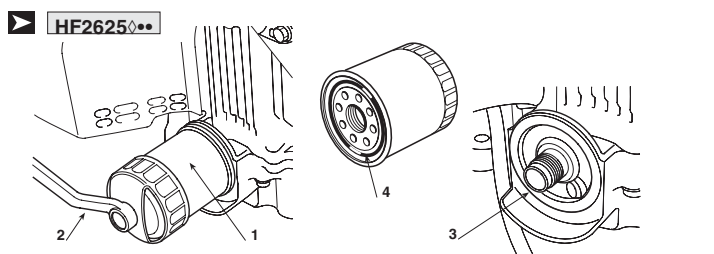
IMPORTANT

Utiliser exclusivement un filtre à huile d'origine Honda ou un filtre de qualité équivalente spécifique pour ce modèle. En utilisant un filtre Honda non adapté ou un filtre autre que Honda d'une qualité non équivalente, vous pourriez abîmer le moteur.

7. Remplir le moteur avec la quantité d'huile conseillée. Allumer le moteur et contrôler que le filtre ne présente pas de fuites.
8. Éteindre le moteur et recontrôler le niveau d'huile. Si nécessaire, ajouter de l'huile jusqu'à atteindre le niveau approprié.

REMARQUE

Veillez contacter votre concessionnaire Honda autorisé pour des conseils relatifs à la clé à filtre (outil spécial).



6.4.3 Nettoyage du filtre à air

ATTENTION! Ne jamais nettoyer le filtre à air avec de l'essence ou des solvants très inflammables. Cela pourrait entraîner des explosions ou des incendies.

IMPORTANT Ne pas faire tourner le moteur sans filtre à air. Des corps étrangers comme de la poussière et des saletés pourraient pénétrer et entraîner une usure rapide du moteur.

1.

▶ **HF23♦♦♦♦** **HF24♦♦♦♦** :

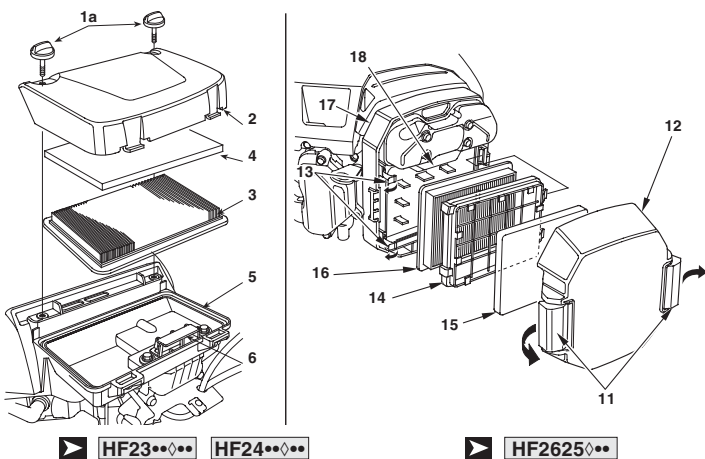
- Desserrer les deux boulons (1a) du couvercle du filtre à air et enlever le couvercle.
- Retirer l'élément en papier (3) du corps du filtre à air (5). Retirer l'élément en caoutchouc mousse (4) du corps du filtre à air (2).

▶ **HF2625♦♦♦♦** :

- Détacher les deux languettes (11) de blocage du couvercle (12) du filtre à air.
- Décrocher les deux languettes (13) du porte-élément du filtre (14), puis enlever le porte-élément du filtre (14) et ôter l'élément filtrant en mousse (15) du porte-élément. Enlever l'élément filtrant en papier (16).

2. Nettoyer les éléments du filtre à air si vous souhaitez les réutiliser.

- **Élément en caoutchouc mousse (4-15)** : nettoyer à l'eau chaude et avec du savon, rincer et sécher complètement. Ou bien le nettoyer dans un solvant non inflammable et sécher. Immerger l'élément filtrant dans de l'huile moteur propre, puis le presser pour expulser l'excès d'huile. Si on laisse trop d'huile sur l'élément filtrant en mousse, lorsqu'on allumera le moteur, il fumera.
- **Élément en papier (3-16)** : racler légèrement l'élément plusieurs fois sur une surface dure pour éliminer la saleté incrustée, ou avec de l'air comprimé (qui ne dépasse pas les 2,1 kg/cm² à travers le filtre du côté du corps du filtre à air. Ne jamais brosser la saleté ; le brossage introduirait la saleté dans les fibres. Remplacer l'élément en papier s'il est excessivement sale.



3. Essuyer la saleté de l'intérieur du cache et du logement de filtre à air (5-17) en utilisant un chiffon humide. Faire attention à empêcher que la saleté ne pénètre pas dans la chambre nettoyée (6-18) qui arrive au carburateur.

4. Réinstaller les éléments de filtre à air ainsi que le couvercle.

▶ **HF23♦♦♦♦** **HF24♦♦♦♦** : Bien serrer les deux boulons (1a) du couvercle du filtre à air.

▶ **HF2625♦♦♦♦** : Attacher solidement les languettes (11) de blocage.

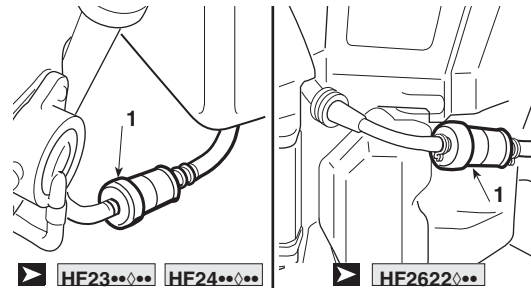
REMARQUE Lors de l'entretien du filtre à air, ne pas laisser la poussière, les salissures ni des débris quelconques pénétrer dans

le coffret propre (boîtier de filtre à air).

6.4.4 Entretien du filtre à carburant

ATTENTION! L'essence est une substance hautement inflammable qui peut exploser dans certaines conditions. Ne pas fumer et ne pas approcher de flammes ou d'étincelles près du moteur.

Contrôler qu'il n'y a pas d'eau ou de sédiments accumulés dans le filtre à carburant (1). Le cas échéant, porter le moteur au revendeur autorisé Honda.



6.4.5 Entretien bougie

Bougies recommandées :

▶ **HF23♦♦♦♦** **HF24♦♦♦♦** :

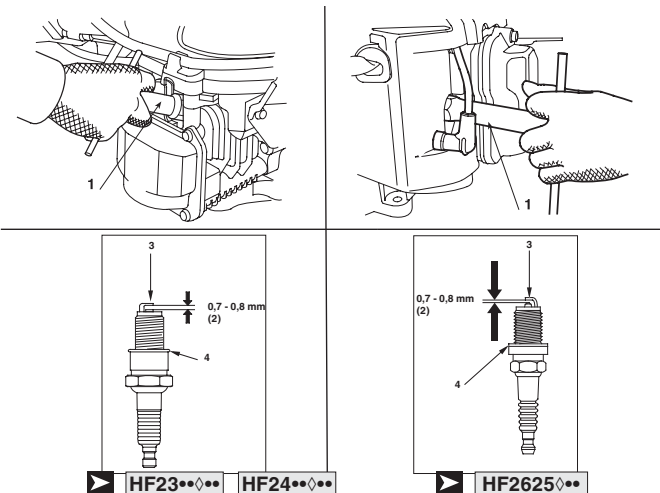
- BPR5ES (NGK) - W16EPR-U (DENSO).

▶ **HF2625♦♦♦♦** :

- ZFR5F (NGK)

IMPORTANT Ne jamais utiliser une bougie d'une gamme thermique inappropriée.

Pour assurer le bon fonctionnement du moteur, la distance des électrodes des bougies doit être appropriée et les bougies ne doivent pas présenter de dépôts de carbone.



1. Retirer les capuchons des bougies et utiliser une clé à bougie (1) pour démonter les bougies.

ATTENTION! Si le moteur a été démarré, le pot est très chaud. Prenez garde à ne pas vous brûler.

2. Contrôler visuellement les bougies. mettre de côté la bougie si vous constatez qu'elle est usée ou que l'isolateur est abîmé. Nettoyer les bougies avec une brosse métallique si vous souhaitez les réutiliser.

3. Mesurer à l'aide d'une jauge d'épaisseur l'intervalle entre les électrodes (2) et la bougie, et corrigez si nécessaire en pliant l'électrode latérale (3). L'intervalle doit être : 0,7 - 0,8 mm.

4. Contrôler que la rondelle de la bougie (4) est en bonne condition et visser la bougie à la main de sorte à ne pas endommager le filetage.
5. Une fois que la bougie est posée sur sa base, la serrer avec une clé à bougie (1) afin qu'elle comprime la rondelle.

REMARQUE

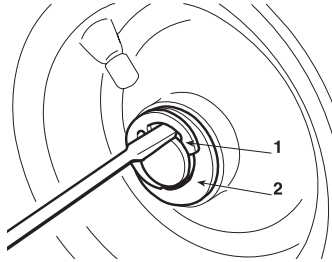
Une fois que la nouvelle bougie a été installée, veuillez la serrer d'un 1/2 tour pour comprimer la rondelle. Si vous réinstallez une bougie usée, veuillez la serrer de 1/8 ou 1/4 tour pour comprimer la rondelle.

IMPORTANT

Les bougies doivent être bien serrées. Si les bougies ne sont pas correctement serrées, elles pourraient surchauffer et abîmer le moteur.

6.4.6 Remplacement des roues

Placer la machine sur une surface plane, disposer des cales sous l'une des pièces portantes du cadre, du côté de la roue à changer.



Les roues sont retenues par une bague élastique (1) qu'il est possible d'enlever à l'aide d'un tournevis.

Les roues arrière sont montées directement sur les demi-axes, avec une clavette intégrée dans le moyeu de la roue.

REMARQUE

En cas de remplacement d'une ou des deux roues arrière, s'assurer qu'elles sont du même diamètre, puis contrôler le réglage du parallélisme de l'ensemble des organes de coupe afin d'éviter une tonte irrégulière.

IMPORTANT

Avant de remonter une roue, enduire l'axe de graisse et replacer soigneusement le clip élastique (1) et la rondelle de protection (2).

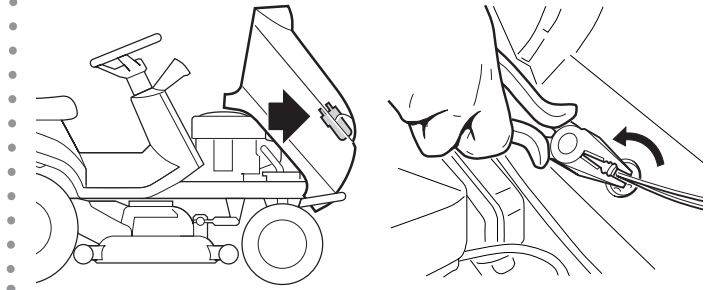
6.4.7 Réparation ou remplacement des pneus

Les pneus sont du type « Tubeless » ; par conséquent, seul un réparateur professionnel peut remplacer un pneu ou réparer un pneu crevé, selon les modalités requises pour ce type de pneu.

6.4.8 Remplacement lampes

▶ **HF23••♦••** **HF2417HB•** :

- Les lampes (10W) à baïonnette sont montées dans le porte-lampe ; pour extraire le porte-lampe, utiliser une pince et le faire tourner dans le sens contraire aux aiguilles d'une montre.



6.4.9 Remplacement d'un fusible

La machine est dotée de plusieurs fusibles, de portée différente. Leurs fonctions et caractéristiques sont les suivantes :

- 1 - 10 Amp - (Rouge) protection des circuits géné-

raux et de puissance de la carte électronique ;

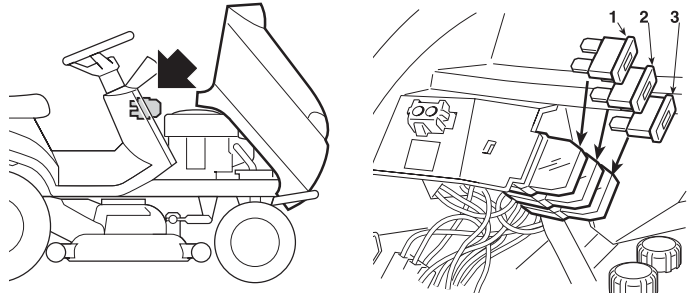
▶ **HF23••♦••** **HF2417HM•** **HF2625HM•**

- 2 - 15 Amp - (Bleu) protection du circuit de rechargement ;

▶ **HF2417HT•** **HF2625HT•**

- 2 - 15 Amp - (Bleu) protection du circuit de rechargement ;
- 3 - 10 Amp - (Rouge) protection du circuit de commande de renversement sac.

- L'intervention du fusible (1) provoque l'arrêt de la machine et l'arrêt complet du tableau de bord.
- L'intervention du fusible (2) est signalé par l'allumage du voyant de la batterie (☛ 4.13.f).
- L'intervention du fusible (3) empêche le fonctionnement du moteur de commande de renversement du sac.



IMPORTANT

Un fusible grillé doit toujours être remplacé par un de même type et de même intensité ; ne jamais remplacer le fusible par un fusible d'intensité différente.

Dans l'impossibilité d'éliminer les causes d'intervention, contacter votre Concessionnaire.

6.4.10 Substitution des courroies

Le remplacement des courroies nécessitant des démontages puis des réglages assez complexes, il est indispensable de le confier à votre Concessionnaire.

REMARQUE

Remplacer les courroies dès qu'elles présentent des signes évidents d'usure! UTILISER TOUJOURS DES COURROIES D'ORIGINE!

7. GUIDE DE DEPISTAGE DES PANNES

PROBLÈME	CAUSE PROBABLE	SOLUTIONS
1. Avec la clé en position « MARCHÉ », le tableau de bord reste éteint sans aucun signal sonore.	Intervention de la protection de la carte électronique à cause de : <ul style="list-style-type: none"> - batterie mal branchée - inversion de polarité de la batterie - batterie complètement déchargée ou sulfatée - fusible grillé - masse incertaine sur le moteur ou sur le châssis 	Avec la clef en position « ARRÊT » et rechercher les causes de la panne : <ul style="list-style-type: none"> - vérifier les branchements (☛ 3.1) - vérifier les branchements (☛ 3.1) - recharger la batterie (☛ 6.2.3) - remplacer le fusible (10 A) (☛ 6.4.9) - vérifier les branchements des câbles noirs de masse
2. Avec la clé en position « MARCHÉ », le tableau de bord reste éteint mais un signal sonore continu est audible.	Intervention de la protection de la carte électronique à cause de : <ul style="list-style-type: none"> - carte mouillée - voltage de la batterie trop élevé - problèmes sur la carte électronique 	Avec la clef en position « ARRÊT » et rechercher les causes de la panne : <ul style="list-style-type: none"> - essuyer avec de l'air tiède - vérifier le voltage de la batterie - vérifier les branchements (☛ 3.1) - remplacer la batterie - contacter votre Concessionnaire
3. Avec la clé sur « DÉMARRAGE », le tableau de bord s'allume, mais le démarreur ne tourne pas	<ul style="list-style-type: none"> - batterie insuffisamment chargée - masse incertaine du démarreur - absence d'autorisation au démarrage (☛ 5.2) 	<ul style="list-style-type: none"> - recharger la batterie (☛ 6.2.3) - vérifier les branchements à la masse - débrayer les organes de coupe ; (si le problème persiste, contrôler le micro-interrupteur correspondant) - mettre le levier de vitesses au point mort (« N ») - s'asseoir sur le siège
4. Avec la clé sur « DÉMARRAGE », le démarreur tourne, mais le moteur ne démarre pas	<ul style="list-style-type: none"> - batterie insuffisamment chargée - l'essence n'arrive pas - défaut d'allumage - manque d'huile 	<ul style="list-style-type: none"> - recharger la batterie (☛ 6.2.3) - vérifier le niveau dans le réservoir (☛ 5.3.3) - contrôler le câblage du solénoïde d'ouverture carburant - vérifier le filtre à essence (☛ 6.4.4) - vérifier la fixation du capuchon de la bougie (☛ 6.4.5) - vérifier la propreté et la distance correcte entre les électrodes (☛ 6.4.5) - vérifier le niveau de l'huile moteur et faire le plein si nécessaire (☛ 5.3.3)
5. Démarrage difficile ou fonctionnement irrégulier du moteur	<ul style="list-style-type: none"> - problèmes au carburateur 	<ul style="list-style-type: none"> - nettoyer ou remplacer le filtre à air (☛ 6.4.3) - nettoyer la cuve du carburateur (☛ 5.4.13) - vider le réservoir et mettre de l'essence fraîche (☛ 5.4.13) - contrôler et éventuellement remplacer le filtre à essence (☛ 6.4.4)
6. La machine ne démarre pas :	<ul style="list-style-type: none"> - transmission pas au point mort (N) avec « Cruise Control » resté enclenché depuis la précédente utilisation. 	<ul style="list-style-type: none"> - Mettre la clé sur « ARRÊT » - Désactiver le dispositif « Cruise Control » (☛ 4.9) - Vérifier que le voyant de transmission au point mort (N) (4.13.j) s'allume sur l'écran. - Si l'inconvénient persiste, contacter votre concessionnaire.
7. Baisse de rendement du moteur pendant la tonte	<ul style="list-style-type: none"> - vitesse d'avancement élevée par rapport à la hauteur de tonte (☛ 5.4.5) 	<ul style="list-style-type: none"> - réduire la vitesse d'avancement et/ou augmenter la hauteur de l'ensemble des organes de coupe.
8. En embrayant les organes de coupe, le moteur s'éteint.	<ul style="list-style-type: none"> - il manque une autorisation à l'embrayage des organes de coupe (☛ 5.2) - Organes de coupe embrayés lorsque la marche arrière est engagée 	<ul style="list-style-type: none"> - s'asseoir correctement (si l'inconvénient persiste, contrôler le micro-interrupteur) - vérifier que le sac de ramassage ou la protection d'éjection arrière sont correctement appliqués (si le problème persiste, contrôler le micro-contacteur correspondant) - Appuyer sur le bouton d'autorisation de coupe en marche arrière (☛ 4.7)
9. Le dispositif « Cruise Control » ne s'enclenche pas (activé)		
10. Le dispositif « Cruise Control » ne se désactive pas (désactivé) : <ul style="list-style-type: none"> - en appuyant sur le bouton champignon (4.9) - en actionnant la pédale marche avant (4.22) - en actionnant la pédale de frein (4.23) 	<ul style="list-style-type: none"> - Les composants du dispositif sont bloqués ou abîmés 	<ul style="list-style-type: none"> - Mettre la clé sur « ARRÊT » - Contacter votre Concessionnaire.
11. Le voyant de la batterie ne s'éteint pas après quelques minutes de travail.	<ul style="list-style-type: none"> - recharge insuffisante de la batterie 	<ul style="list-style-type: none"> - vérifier les branchements

PROBLÈME	CAUSE PROBABLE	SOLUTIONS
12. Le témoin de la batterie clignote	<ul style="list-style-type: none"> – la batterie est en train d’atteindre le seuil de surtension 	<ul style="list-style-type: none"> – Mettre immédiatement la clé sur «ARRÊT» ; – Débrancher la batterie ; – Contacter votre Concessionnaire
13. Le témoin de l’huile s’allume durant le travail	<ul style="list-style-type: none"> – problèmes de lubrification du moteur 	<p>Mettre immédiatement la clé sur «ARRÊT» :</p> <ul style="list-style-type: none"> – rétablir le niveau d’huile (☛ 5.3.3) – remplacer le filtre (si l’inconvénient persiste, contacter votre Concessionnaire
14. Calibrage manqué. Les voyants d’inclinaison (4.13.I) clignotent alternativement	<ul style="list-style-type: none"> – les conditions de la machine ne sont pas respectées – calibrage hors temps 	<ul style="list-style-type: none"> – Mettre la clé sur «ARRÊT», vérifier les conditions de la machine et contacter votre concessionnaire pour étalonner le capteur.
15. Les voyants d’inclinaison (4.13.I) s’allument souvent par erreur	<ul style="list-style-type: none"> – dysfonctionnement du capteur 	<ul style="list-style-type: none"> – Contacter votre Concessionnaire
16. Les voyants d’inclinaison (4.13.I) s’allument alors que la machine est sur le plat ou sur une pente faible.	<ul style="list-style-type: none"> – la conduite n’est pas sûre – pression des pneus trop basse – capteur d’inclinaison mal calibré – problèmes sur la carte électronique 	<ul style="list-style-type: none"> – Conduire sans à-coups : départ, arrêt et braquage – vérifier la pression des pneus – contacter votre Concessionnaire – contacter votre Concessionnaire
17. Avec la clé sur « MARCHÉ », le dispositif USB ne se recharge pas	<ul style="list-style-type: none"> – dispositif mal branché – dispositif débranché – dysfonctionnement du câble USB – température de la prise USB trop élevée – batterie insuffisamment chargée 	<p>Avec la clef en position « ARRÊT » et rechercher les causes de la panne :</p> <ul style="list-style-type: none"> – vérifier le branchement du dispositif – vérifier le branchement du dispositif – utiliser un autre câble USB – attendre que la prise se refroidisse et réessayer – vérifier le voltage de la batterie et le système de rechargement
18. Le code d’intervalle d’entretien ne s’affiche pas lorsque le seuil d’intervention est atteint. (☛ modèles HF2417•••)	<ul style="list-style-type: none"> - voltage de la batterie trop élevé 	<ul style="list-style-type: none"> – vérifier le voltage de la batterie sur l’écran et attendre que la valeur de tension descende en-dessous de 12,7 V. Réessayer.
19. Le code d’intervalle d’entretien et l’icône ne peuvent pas être remis à zéro même si le moteur est à l’arrêt. (☛ modèles HF2417•••)		
20. Les heures de conduite (4.13.a.1) ne sont pas comptées (☛ modèles HF2417•••)	<ul style="list-style-type: none"> – régulateur débranché – panne du régulateur ou de la carte électronique 	<ul style="list-style-type: none"> – vérifier le branchement du régulateur – vérifier le voltage de la batterie avec le moteur allumé. Si la valeur de tension est inférieure à 12,7 V, la panne concerne le régulateur. Si la valeur de tension est supérieure à 12,7 V, la panne concerne la carte électronique.
21. Les heures de conduite (4.13.a.1) ne sont pas comptées (☛ modèles HF2625•••)	<ul style="list-style-type: none"> – signal des tours moteur débranché – panne du moteur ou de la carte électronique 	<ul style="list-style-type: none"> – vérifier le branchement du signal de tours moteur – vérifier la valeur numérique et l’indicateur graphique des tours moteur sur l’écran avec le moteur allumé. Si la valeur numérique et l’indicateur graphique sont affichés, la panne pourrait concerner la carte électronique. Si les deux ne sont pas affichés, la panne concerne le moteur.
22. La luminosité du phare principal à LED se réduit lors du travail.	<ul style="list-style-type: none"> – voltage de la batterie bas – la température du dispositif électronique à l’intérieur de l’ensemble phares est trop élevée. 	<p>Avec la clef en position « ARRÊT » et rechercher les causes de la panne :</p> <ul style="list-style-type: none"> – vérifier le voltage de la batterie et le système de rechargement – attendre un peu. Ensuite redémarrer.
23. Le phare principal à LED ne s’allume pas dans les conditions de sécurité, avec le phare de position (lumière du jour) allumé.	<ul style="list-style-type: none"> – connecteur débranché – câble mal branché – problèmes sur la carte électronique – câblage abîmé 	<p>Avec la clef en position « ARRÊT » et rechercher les causes de la panne :</p> <ul style="list-style-type: none"> – vérifier les branchements et les câbles – contacter votre Concessionnaire
24. Le phare de position (lumière de jour) ne s’allume pas	<ul style="list-style-type: none"> – connecteur débranché – câble mal branché – câblage abîmé 	<p>Avec la clef en position « ARRÊT » et rechercher les causes de la panne :</p> <ul style="list-style-type: none"> – vérifier les branchements et les câbles – contacter votre Concessionnaire
25. Le moteur s’arrête et un signal sonore s’active	<p>Intervention du dispositif de protection de la carte électronique à cause de :</p> <ul style="list-style-type: none"> – batterie activée chimiquement mais non chargée – surtension provoquée par le régulateur de charge – batterie mal branchée (contacts incertains) – masse moteur incertaine 	<p>Avec la clef en position « ARRÊT » et rechercher les causes de la panne :</p> <ul style="list-style-type: none"> – recharger la batterie (☛ 6.2.3) – contacter votre Concessionnaire – vérifier les branchements (☛ 3.1) – vérifier la masse du moteur

<p>26. Le moteur s'arrête sans aucun signal sonore</p>	<ul style="list-style-type: none"> - batterie débranchée - manque de masse sur le moteur - problèmes au moteur 	<ul style="list-style-type: none"> - vérifier les branchements (☛ 3.1) - vérifier la masse du moteur - contacter votre Concessionnaire
<p>27. Les organes de coupe ne s'embranchent pas</p>	<ul style="list-style-type: none"> - courroie desserrée - problèmes de l'embrayage électromagnétique 	<ul style="list-style-type: none"> - agir sur le dispositif de réglage (☛ 6.3.3) - contacter votre Concessionnaire
<p>28. Tonte irrégulière et ramassage insuffisant</p>	<ul style="list-style-type: none"> - ensemble des organes de coupe non parallèle au terrain - organes de coupe inefficaces - vitesse d'avancement élevée par rapport à la hauteur de l'herbe à couper (5.4.5) - engorgement de la goulotte - l'ensemble organes de coupe est plein d'herbe 	<ul style="list-style-type: none"> - contrôler la pression des pneus (☛ 5.3.2) - rétablir l'alignement de l'ensemble des organes de coupe par rapport au terrain (☛ 6.3.2) - vérifier le montage correct des organes de coupe (☛ 6.3.1) - aiguiser ou remplacer les organes de coupe (☛ 6.3.1) - contrôler la tension de la courroie et le câble d'embrayage de la commande des organes de coupe (☛ 6.3.3) - réduire la vitesse d'avancement et/ou augmenter la hauteur de l'ensemble des organes de coupe. - attendre que l'herbe soit sèche - enlever le sac et vider la goulotte d'éjection (☛ 5.4.7) - nettoyer l'ensemble des organes de coupe (☛ 5.4.11)
<p>29. Vibrations anormales pendant le fonctionnement</p>	<ul style="list-style-type: none"> - les organes de coupe sont déséquilibrés - organes de coupe desserrés - fixations desserrées 	<ul style="list-style-type: none"> - équilibrer ou remplacer les organes de coupe s'ils sont abîmés (☛ 6.3.1) - vérifier la fixation des organes de coupe (☛ 6.3.1) - vérifier et serrer les vis de fixation du moteur et du châssis
<p>30. En actionnant la pédale de la traction lorsque le moteur est en marche, la machine ne se déplace pas</p>	<ul style="list-style-type: none"> - levier de blocage sur « B » (☛ 4.24) 	<ul style="list-style-type: none"> - le replacer sur « A »
<p>31. Difficulté d'actionnement du levier "mulching" (☛ modèles HF2417HM • - HF2417HT • HF2625H♦♦)</p>	<ul style="list-style-type: none"> - Le levier ne bouge pas (incident dû à l'accumulation d'herbe dans la goulotte d'éjection ou dans l'ensemble des organes de coupe) - le volet ne se ferme pas correctement 	<ul style="list-style-type: none"> - enlever le matériel qui s'est déposé dans la goulotte d'éjection et dans l'ensemble organes de coupe - contacter le distributeur

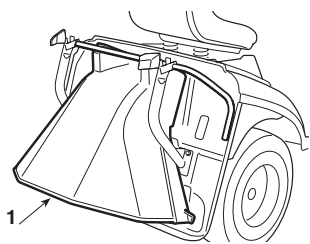
Si les inconvénients persistent après qu'on a exécuté les opérations décrites ci-dessus, contacter le Concessionnaire.

⚠ ATTENTION! *Ne jamais tenter d'effectuer des réparations compliquées sans avoir les moyens et les connaissances techniques nécessaires. Toute intervention mal exécutée entraîne automatiquement la déchéance de la garantie et, dans ce cas, le fabricant décline toute responsabilité.*

8. ÉQUIPEMENTS EN OPTION

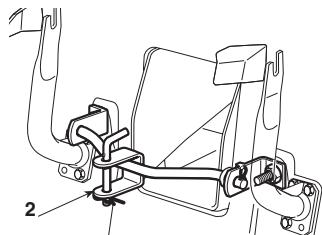
1. KIT PROTECTION D'ÉJECTION 80609-VK1-003

À utiliser à la place du sac de ramassage lorsque l'herbe n'est pas ramassée.



2. KIT TRACTION 80596-VK1-003

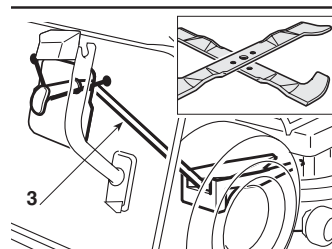
Pour remorquer une petite remorque.



3. BOUCHON ET ORGANES DE COUPE POUR "MULCHING"

HF2317 : 80597-VK1-003
HF2417HB : 06805-VK1-A10

Pour tailler finement l'herbe coupée et la laisser sur le pré, au lieu de la récolter dans le sac.



⚠ ATTENTION! *Pour garantir votre sécurité, il est impérativement interdit de monter tout autre accessoire que ceux qui sont compris dans la liste donnée ci-dessus, et qui sont conçus expressément pour le modèle et pour le type de votre machine.*

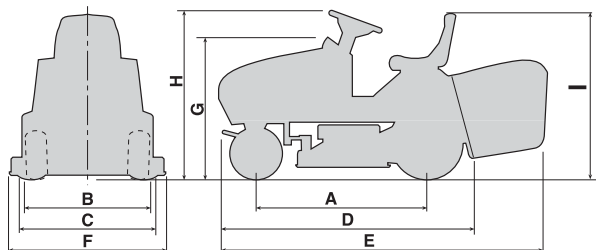
9. CARACTÉRISTIQUES TECHNIQUES

MODÈLES	HF2317HME	HF2417HBE	HF2417HME	HF2417HTE	HF2625HMEH	HF2625HTEH
Fonction						
Système électrique	12V	12V	12V	12V	12V	12V
Batterie	24 Ah	24 Ah	24 Ah	24 Ah	24 Ah	24 Ah
Moteur : HONDA type	GCV530	GCV530	GCV530	GCV530	GXV690H	GXV690H
Système de refroidissement	Air, ventilation forcée					
Nombre et disposition des cylindres (4 temps)	2 / 90 ° V	2 / 90 ° V	2 / 90 ° V	2 / 90 ° V	2 / 90 ° V	2 / 90 ° V
Disposition valves	OHC	OHC	OHC	OHC	OHV	OHV
Cylindrée totale	530 cm ³	530 cm ³	530 cm ³	530 cm ³	690 cm ³	690 cm ³
Puissance effective du moteur (*) kW / min ⁻¹	11,3kW / 3600	11,3 kW / 3600	11,3 kW / 3600	11,3 kW / 3600	16,5 kW / 3600	16,5 kW / 3600
Puissance nominale du moteur kW / min ⁻¹	9,7 kW / 2800	9,7 kW / 2800	9,7 kW / 2800	9,7 kW / 2800	13,9 kW / 2800	13,9 kW / 2800
Vitesse d'exercice min ⁻¹	2800 min ⁻¹ (0,-150)	2800 min ⁻¹ (0,-150)	2800 min ⁻¹ (0,-150)	2800 min ⁻¹ (0,-150)	2800 min ⁻¹ (0,-150)	2800 min ⁻¹ (0,-150)
Type de carburant	Essence sans plomb E10					
Capacité du réservoir d'huile	1,1 litres	1,1 litres	1,1 litres	1,1 litres	1,7 litres	1,7 litres
Pneus avant	13 x 5,00-6	15 x 6,00-6	15 x 6,00-6	15 x 6,00-6	15 x 6,00-6	15 x 6,00-6
Pneus arrière	18 x 8,50-8	18 x 8,50-8	18 x 8,50-8	18 x 8,50-8	18 x 8,50-8	18 x 8,50-8
Pression de gonflage avant	1,5 bar	1,0 bar	1,0 bar	1,0 bar	1,0 bar	1,0 bar
Pression de gonflage arrière	1,2 bar	1,2 bar	1,2 bar	1,2 bar	1,2 bar	1,2 bar
Capacité du réservoir de carburant	5,4 litres	5,4 litres	8,5 litres	8,5 litres	8,5 litres	8,5 litres
Masse à vide (avec huile et sans essence)	221 kg	243 kg	245 kg	256 kg	267 kg	276 kg
Vitesse de déplacement						
en marche avant	0 - 8,2 km/h	0 - 8,2 km/h	0 - 8,2 km/h	0 - 8,2 km/h	0 - 8,2 km/h	0 - 8,2 km/h
en marche arrière	0 - 4,2 km/h	0 - 4,2 km/h	0 - 4,2 km/h	0 - 4,2 km/h	0 - 4,2 km/h	0 - 4,2 km/h
Rayon minimal de l'herbe non taillée	1,0 m	1,0 m	1,0 m	1,0 m	0,8 m	0,8 m
Hauteur de coupe	29 ÷ 80 mm	29 ÷ 90 mm	29 ÷ 90 mm	29 ÷ 90 mm	29 ÷ 90 mm	29 ÷ 90 mm
Largeur de coupe	92 cm	102 cm	102 cm	102 cm	122 cm	122 cm
Capacité du sac de ramassage	280 litres	300 litres	300 litres	300 litres	350 litres	350 litres
Actionnement du sac de ramassage	manuel	manuel	manuel	électrique	manuel	électrique
Dimensions (mm)						
A	1150	1150	1150	1150	1150	1150
B	835	880	880	880	880	880
C	950	950	950	950	950	950
D	1870	1870	1870	1870	1870	1870
E	2460	2460	2460	2460	2460	2460
F	960	1060	1060	1060	1250	1250
G	980	990	990	990	990	990
H	1100	1120	1120	1120	1120	1120
I	1290	1290	1290	1290	1290	1290
Émission de dioxyde de carbone (CO ₂) (**)	Voir « Liste des informations CO ₂ » sur www.honda-engines-eu.com/co2					

(**) La mesure du CO₂ est le résultat d'un test en cycle fixe dans des conditions de laboratoire d'un moteur (produit-souche) qui représente le type de moteur (famille de moteurs) et ne constitue pas une garantie des performances d'un moteur spécifique.

Valeurs maximales de bruit et de vibrations

MODÈLES	HF2317HME	HF2417HBE	HF2417HME	HF2417HTE	HF2625HME	HF2625HTEH
Niveau de puissance acoustique garanti (2000/14/CE, 2005/88/CE)	dB(A) 100	100	100	100	105	105
Niveau de puissance acoustique mesuré (2000/14/CE, 2005/88/CE)	dB(A) 100	100	100	100	103	103
Incertitude de mesure	dB(A) 0,67	0,34	0,34	0,34	0,77	0,77
Pression acoustique oreille opérateur (EN ISO 5395-1 :2013 + A1 :2018 / EN ISO 5395-3 :2013 + A1 :2017 + A2 :2018)	dB(A) 85	85	85	85	89	89
Incertitude de mesure	dB(A) 0,72	1,20	1,20	1,20	2,03	2,03
Valeur effective de l'accélération sur le siège (EN ISO 5395-1 :2013 + A1 :2018 / EN ISO 5395-3 :2013 + A1 :2017 + A2 :2018)	m/sec ² 0,8	0,8	0,8	0,8	0,7	0,7
Incertitude de mesure	m/sec ² 0,30	0,24	0,24	0,24	0,18	0,18
Valeur effective de l'accélération sur le volant (EN ISO 5395-1 :2013 + A1 :2018 / EN ISO 5395-3 :2013 + A1 :2017 + A2 :2018)	m/sec ² 2,9	3,3	3,3	3,3	3,5	3,5
Incertitude de mesure	m/sec ² 1,07	0,93	0,93	0,93	0,97	0,97



(*) La valeur de la puissance du moteur indiquée dans ce document est la puissance fournie effective, testée sur un moteur des modèles GCV530 et GXV690H de production, mesurée selon la norme SAE J1349 à 3600 min⁻¹. (Puissance effective) et à 2800 min⁻¹. (Puissance nette). Les moteurs produits en série peuvent avoir des valeurs différentes. La puissance fournie par le moteur monté sur la machine peut varier en fonction de nombreux facteurs, y compris la vitesse de service du moteur pendant l'utilisation, les conditions environnementales, l'entretien et d'autres variables.

10. SOMMAIRE ALPHABÉTIQUE

Accélérateur		
Fonction et utilisation	4.3	
Batterie		
Description	2.2-7	
Branchement	3.1	
Inactivité prolongée	5.4.13	
Entretien et recharge	6.2.3	
Changement de vitesse		
Marche avant	5.4.2	
Marche arrière	5.4.4	
Choke		
Fonction et utilisation	4.2	
Clé		
Fonction	4.4	
Démarrage		
Procédure de démarrage	5.4.1	
Dispositif de maintien de la vitesse		
Fonction et utilisation	4.9	
Ensemble organes de coupe		
Description	2.2-1	
Lavage interne	5.4.11	
Retrait	6.3.1-a	
Alignement	6.3.2	
Entretien		
Modalité d'exécution	6.1 - 6.2	
Frein		
Fonction de la pédale	4.21	
Contrôle efficacité	5.3.4	
Utilisation du frein	5.4.3	
Réglage	6.3.4	
Frein de stationnement		
Fonction du levier	4.5	
Fusible		
Remplacement	6.4.9	
Goulotte d'éjection		
Description	2.2-3	
Vidange	5.4.7	
Moteur		
Huile moteur	6.4.1	
Filtre à huile	6.4.2	
Filtre à air	6.4.3	
Filtre à carburant	6.4.4	
Bougie	6.4.5	
Mulching		
Lever insertion	4.12	
Fonction	5.4.8	
Nettoyage		
Modalité d'exécution	5.4.11	
Organes de coupe		
Description	2.2-2	
Embrayage	4.8	
Démontage et aiguisage	6.3.1-b	
Réglage de l'embrayage	6.3.3	
Pédales traction		
Fonction des pédales	4.22 - 4.23	
Marche avant	5.4.2	
Marche arrière	5.4.4	
Pentes		
Précautions d'utilisation	5.5	
Phares		
Commande allumage	4.13-i, 4.13-i.1	
Remplacement ampoule	6.4.8	
Pneus		
Pression de gonflage	5.3.2	
Réparation et remplacement	6.4.7	
Prise auxiliaire pour accessoires USB		
Fonction	4.10	
Protection d'éjection		
Description	2.2-5	
Montage sur la machine	5.3.5	
Ravitaillements		
Modalité de ravitaillement	5.3.3	
Roues		
Remplacement	6.4.6	
Sac de ramassage		
Description	2.2-4	
Commande renversement	4.11	
Montage sur la machine	5.3.5	
Vidange	5.4.6	
Réglage accrochage	6.3.6	
Sécurité		
Normes générales	1.1	
Étiquettes et pictogrammes	1.3	
Intervention des dispositifs	5.2	
Contrôle efficacité	5.3.6	
Siège		
Description	2.2-8	
Réglage	5.3.1	
Signal acoustique		
Fonction	4.13-o	
Intervention	5.4.6	
Voyants lumineux		
Fonction	4.13	
Tonte		
Réglage hauteur	4.6	
Tonte en marche arrière	4.7	
Modalité de tonte	5.4.5	
Fin de la tonte	5.4.9	
Conseils pour la tonte	5.7	
Fonction « Mulching »	5.4.8	
Traction		
Prescriptions	1.4	
Traction des roues		
Réglage de la courroie	6.3.5	
Transport		
Modalité d'exécution	5.6	
Volant		
Fonction	4.1	

EINFÜHRUNG

Sehr geehrte Kundin, sehr geehrter Kunde,

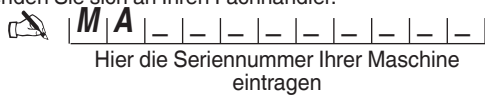
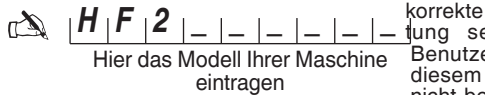
Wir danken Ihnen, dass Sie unseren Produkten den Vorzug gegeben haben und wünschen Ihnen, dass Ihnen der Gebrauch Ihrer neuen Aufsitzmäher Freude macht und Ihren Erwartungen vollkommen entspricht. Dieses Handbuch wurde herausgegeben, um Sie mit Ihrer Maschine vertraut zu machen und diese sicher und wirksam einsetzen zu können. Beachten Sie, dass das Handbuch ein wesentlicher Bestandteil der Maschine ist. Halten Sie es stets griffbereit, um es jederzeit einsehen zu können, und liefern Sie es mit, sollten Sie die Maschine eines Tages an Dritte abtreten.

Diese Maschine wurde nach den geltenden Bestimmungen entwickelt und hergestellt. Sie arbeitet sicher und zuverlässig, wenn sie - unter strikter Beachtung der in diesem Handbuch enthaltenen Anweisungen - für das Mähen und Abräumen von Gras verwendet wird (**Bestimmungsgemäßer Gebrauch**). Jede andere Verwendung oder die Nichtbeachtung der angezeigten Sicherheitsvorschriften beim Gebrauch bzw. der Anweisungen für Wartung und Reparatur werden als **„Unsachgemäße Verwendung“** (☛ 5.1) der Maschine angesehen und haben den Verfall der Garantie und die Ablehnung jeder Verantwortung seitens des Herstellers zur Folge. Dem Benutzer selbst dadurch entstandene oder Dritten zugefügte Schäden oder Verletzungen gehen zu Lasten des Benutzers.

Dem Benutzer selbst dadurch entstandene oder Dritten zugefügte Schäden oder Verletzungen gehen zu Lasten des Benutzers. Falls Sie kleinere Unterschiede zwischen der Beschreibung im Handbuch und der Maschine feststellen sollten, können Sie davon ausgehen, dass die in diesem Handbuch enthaltenen Informationen auf Grund fortwährender Verbesserungen des Erzeugnisses Änderungen unterliegen, ohne dass der Hersteller die Pflicht zur Bekanntgabe oder zur Aktualisierung hat, unter der Voraussetzung, dass sich die wesentlichen Eigenschaften für Sicherheit und Betriebsweise nicht verändern. Im Zweifelsfall wenden Sie sich bitte an Ihren Fachhändler. Viel Spaß bei der Arbeit!

Kundendienst

Dieses Handbuch bietet die erforderlichen Anleitungen zum Bedienen der Maschine und eine korrekte Grundwartung seitens des Benutzers. Für in diesem Handbuch nicht beschriebene Eingriffe wenden Sie sich an Ihren Fachhändler.



WIE IST DAS HANDBUCH ZU LESEN

Abschnitte mit besonders wichtigen Informationen zur Sicherheit und zum Betrieb sind im Text des Handbuchs nach folgenden Kriterien unterschiedlich hervorgehoben:

HINWEIS oder **WICHTIG** liefern erläuternde Hinweise oder andere Angaben über bereits an früherer Stelle gemachte Aussagen, in der Absicht, die Maschine nicht zu beschädigen bzw. Schäden zu vermeiden.

ACHTUNG! Im Falle der Nichtbeachtung besteht die Möglichkeit, sich selbst oder Dritte zu verletzen.

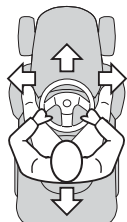
GEFAHR! Im Falle der Nichtbeachtung besteht die Möglichkeit, sich selbst oder Dritte schwer zu verletzen, mit Todesgefahr.

Im Handbuch sind verschiedene Ausführungen der Maschine beschrieben, die sich voneinander unterscheiden können, hauptsächlich durch:
- Antriebstop: Mit stufenloser hydrostatischer Drehzahleinstellung.
- besondere Ausrüstungen und/oder Zubehörteile.

Das Symbol hebt jeden Unterschied im Gebrauch hervor und wird gefolgt von der Angabe der Ausführung, auf die es sich bezieht.

Das Symbol „☛“ verweist auf einen anderen Abschnitt des Handbuchs für weitere Klärungen und Informationen.

HINWEIS Alle Angaben wie „vorne“, „hinten“, „rechts“ und „links“ beziehen sich auf den Bediener in sitzender Position.

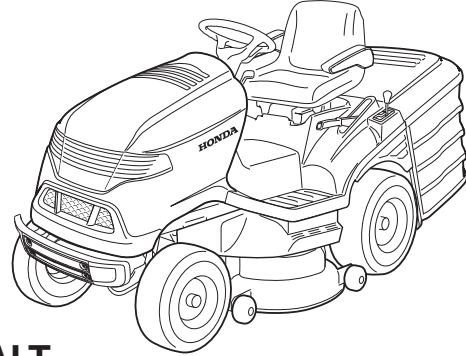


Honda France Manufacturing S.A.S.
Pôle 45 - Rue des Châtaigniers - 45140 ORMES - FRANCE
Alle Rechte vorbehalten 12-2019 In Italien gedruckt
HF2315 - HF2417K5 - HF2625

HONDA

ÜBERSETZUNG DER ORIGINALBETRIEBSANLEITUNG GEBRAUCHSANLEITUNG Aufsitzmäher

HF2317 • HF2417 • HF2625



DEUTSCH

INHALT

1. SICHERHEITSVORSCHRIFTEN	2
Enthält die Vorschriften zum sicheren Gebrauch der Maschine	
2. KENNZEICHNUNG DER MASCHINE UND SEINER BAUTEILE	5
Erläutert, wie die Maschine und ihre wesentlichen Bauteile gekennzeichnet sind	
3. AUSPACKEN UND ZUSAMMENBAU	6
Erläutert, wie die Verpackung zu entfernen und die Montage der getrennten Bauteile zu vervollständigen ist	
4. BEDIENUNGSEINRICHTUNGEN UND KONTROLLINSTRUMENTE	8
Informiert über den Platz und die Funktion aller Bedienteile	
5. GEBRAUCHSANWEISUNG	11
Enthält alle Anweisungen, um gut und sicher zu arbeiten	
5.1 Empfehlungen für die Sicherheit	12
5.2 Kriterien für das Auslösen der Sicherheitseinrichtungen	12
5.3 Vorbereitungen vor Arbeitsbeginn	13
5.4 Gebrauch der Maschine	14
5.5 Betrieb an Hängen	18
5.6 Transportstellung	18
5.7 Einige Ratschläge für einen guten Schnitt	18
5.8 Zusammenfassung der wesentlichen Maßnahmen in verschiedenen Betriebssituationen	19
6. WARTUNG	19
Enthält alle Informationen, um die Maschine leistungsfähig zu halten	
6.1 Empfehlungen für die Sicherheit	19
6.2 Periodische Wartung	20
6.3 Kontrollen und Einstellungen	21
6.4 Ausbau und Ersetzen von Teilen	24
7. ANLEITUNG ZUM FESTSTELLEN VON STÖRUNGEN	27
Hilft Ihnen, eventuelle Probleme beim Gebrauch schnell zu lösen	
8. SONDERZUBEHÖR	29
Es werden die Zubehörteile dargestellt, die für besondere Betriebsanwendungen zur Verfügung stehen	
9. TECHNISCHE EIGENSCHAFTEN	30
Fasst die wesentlichen Eigenschaften Ihrer Maschine zusammen	
10. ALPHABETISCHES SACHREGISTER	31
Zeigt an, wo Informationen zu finden sind	

VERZEICHNIS DER WICHTIGSTEN HONDA-HÄNDLER. i

EG-Konformitätserklärung”
INHALTSÜBERSICHT ii

1. SICHERHEITSVORSCHRIFTEN

1.1 ALLGEMEINE SICHERHEITSVORSCHRIFTEN

⚠ ACHTUNG! VOR INBETRIEBNAHME DER MASCHINE DAS VORLIEGENDE HANDBUCH AUFMERKSAM LESEN. Für jede zukünftige Notwendigkeit aufbewahren.

A) ALLGEMEINE HINWEISE

1) ACHTUNG! Bitte lesen Sie vor der Inbetriebnahme diese Gebrauchsanweisungen aufmerksam durch. Machen Sie sich mit den Bedienungsteilen und dem richtigen Gebrauch der Maschine vertraut. Lernen Sie, den Motor schnell abzustellen. Die Nichtbeachtung der Sicherheitshinweise und der Anweisungen kann zu Unfällen bzw. schweren Verletzungen führen. Bewahren Sie alle Hinweise und die Anweisungen für zukünftiges Nachschlagen auf.

2) Erlauben Sie niemals Kindern oder Personen, die nicht über die erforderlichen Kenntnisse dieser Gebrauchsanweisung verfügen, die Maschine zu benutzen. Örtliche Bestimmungen können das Mindestalter des Benutzers festlegen.

3) Benutzen Sie die Maschine niemals, wenn sich Personen, besonders Kinder, oder Tiere in ihrer Nähe aufhalten.

4) Die Maschine niemals verwenden, wenn der Benutzer müde ist oder sich nicht wohl fühlt, oder wenn er Arzneimittel oder Drogen, Alkohol oder andere Stoffe zu sich genommen hat, die seine Aufmerksamkeit und Reaktionsfähigkeit beeinträchtigen.

5) Beachten Sie, dass der Benutzer für Unfälle und Schäden verantwortlich ist, die anderen Personen oder deren Eigentum widerfahren können. Es gehört zum Verantwortungsbereich des Benutzers, potenzielle Risiken des Geländes, auf dem gearbeitet wird, einzuschätzen. Außerdem muss er alle erforderlichen Vorsichtsmaßnahmen für seine eigene Sicherheit und die der andern ergreifen, insbesondere an Hängen, auf unebenem, rutschigem oder nicht festem Gelände.

6) Falls die Maschine an andere übergeben oder überlassen wird, muss sichergestellt werden, dass der Benutzer die Gebrauchsanweisungen in diesem Handbuch liest.

7) Keine Kinder oder andere Mitfahrer auf der Maschine befördern, denn sie könnten herunterfallen und sich schwer verletzen oder die sichere Fahrt beeinträchtigen.

8) Der Benutzer der Maschine muss die Anweisungen zu deren Führung strengstens beachten, insbesondere:

- Sich während der Arbeit nicht ablenken lassen und die notwendige Konzentration beibehalten;

- daran denken, dass die Kontrolle über eine Maschine, die auf einem Hang abgleitet, nicht durch Bremsen wiedererlangt werden kann. Die wesentlichen Gründe für den Verlust der Kontrolle sind:

- Mangelnde Bodenhaftung der Räder;
- zu schnelles Fahren;
- unangemessenes Bremsen;
- die Maschine ist für den Einsatz nicht geeignet;
- mangelnde Kenntnisse über Wirkungen, die von den Bodenverhältnissen herrühren können, insbesondere am Hang;
- falsche Verwendung als Zugfahrzeug.

9) Die Maschine verfügt über eine Reihe von Mikroschaltern und Sicherheitsvorrichtungen, die nie verändert oder entfernt werden dürfen, was den Verfall der Garantie und die Ablehnung jeder Haftung durch den Hersteller zur Folge hätte. Bevor Sie die Maschine benutzen, kontrollieren Sie immer, dass die Sicherheitsvorrichtungen funktionieren.

B) VORBEREITENDE MASSNAHMEN

1) Bei Benutzung der Maschine immer geschlossenes, rutschfestes Schuhwerk und lange Hosen tragen. Mähen Sie nicht barfußig oder mit leichten Sandalen bekleidet. Keine Schals, Hemden, Halsketten, Armbänder, Kleidungsstücke mit fliegenden Teilen oder mit Bändern oder Krawatten und andere lose hängende Accessoires tragen, die sich in der Maschine oder in eventuell auf dem Arbeitsplatz befindlichen Gegenständen verfangen könnten. Binden Sie langes Haar zusammen. Gehörschutz tragen.

2) Der Einsatz eines Gehörschutzes kann die Fähigkeit vermindern, eventuelle Warnungen zu hören (Schrei oder Alarm). Den Vorfällen rund um den Arbeitsbereich höchste Aufmerksamkeit schenken.

3) Überprüfen Sie sorgfältig das ganze Gelände, auf dem die Maschine eingesetzt wird, und entfernen Sie alle Gegenstände, die von der Maschine weggeschleudert werden oder das Schneidwerkzeug und den Motor beschädigen könnten (Steine, Äste, Eisendrähte, Knochen usw.).

4) ACHTUNG: GEFAHR! Benzin ist hochgradig entflammbar.

- Den Kraftstoff ausschließlich in eigens für Kraftstoffe zugelassenen Behältern aufbewahren und zwar an einem sicheren Ort, fern von Wärmequellen oder offenen Flammen. Die Behälter niemals in Reichweite von Kindern aufbewahren.

- Tanken Sie nur im Freien und benutzen Sie einen Trichter. Nicht rauchen, während Sie tanken und immer wenn Sie Benzin handhaben;

- Benzin ist vor dem Starten des Motors einzufüllen. Während der Motor läuft oder bei heißer Maschine darf der Tankverschluss nicht geöffnet bzw. Benzin nachgefüllt werden;

- Falls Benzin übergelaufen ist, darf kein Versuch unternommen werden, den Motor zu starten. Stattdessen ist die Maschine von der benzinverschmutzten Fläche zu entfernen. Bis das Benzin vollständig verdampft ist und die Benzindämpfe verflüchtigt sind, vermeiden Sie alles, was einen Brand verursachen könnte;

- Tankverschluss und Verschluss des Benzinbehälters müssen immer gut zugeschraubt sein.

- Vermeiden, die Dämpfe des Kraftstoffs einzuatmen.

- Tankverschluss langsam öffnen, um den darin entstandenen Druck langsam abzubauen.

- Maschine nicht am Befüllungsort starten. Der Motor darf erst angelassen werden, wenn er mindestens 3 m vom Kraftstoff-Befüllungsort entfernt ist.

- Den Kontakt von Kraftstoff mit Kleidung vermeiden. Andernfalls die Kleidung wechseln, bevor der Motor gestartet wird.

5) Beschädigte Schalldämpfer auswechseln.

6) Vor dem Gebrauch die ganze Maschine gründlich überprüfen, insbesondere:

Eine Sichtkontrolle des Schneidwerkzeugs durchführen und kontrollieren, ob die Schrauben oder das Schneidwerkzeug abgenutzt oder beschädigt sind. Sind Schneidwerkzeug und Schrauben abgenutzt oder beschädigt, müssen diese gemeinsam ausgetauscht werden, damit die Auswuchtung erhalten bleibt. Eventuelle Reparaturen müssen bei einem Fachbetrieb ausgeführt werden.

7) Regelmäßig den Zustand der Batterie überprüfen. Im Falle von Beschädigungen an ihrer Hülle, am Deckel oder an den Klemmen muss sie ersetzt werden.

8) Bevor man mit der Arbeit beginnt, immer die Schutzeinrichtungen an der Auswurföffnung montieren (Grasfangeinrichtung, seitlicher Auswurfschutz oder hinterer Auswurfschutz).

C) HANDHABUNG

1) Der Motor darf nicht in geschlossenen Räumen laufen, in denen sich gefährliche Kohlenmonoxid-Gase ansammeln können. Das Anlassen muss im Freien oder an einem gut belüfteten Ort erfolgen. Man muss sich immer bewusst sein, dass die Abgase des Motors giftig sind! Während des Maschinenstarts Schalldämpfer und folglich auch Abgase nicht gegen entflammbare Materialien richten.

2) Nur bei Tageslicht oder bei guter künstlicher Beleuchtung und mit guten Sichtverhältnissen arbeiten. Personen, Kinder und Tiere vom Arbeitsbereich fern halten. Kinder müssen von einem Erwachsenen beaufsichtigt werden.

3) Vermeiden, im feuchten Gras, bei Regen oder Gewittergefahr zu arbeiten, insbesondere wenn die Möglichkeit von Blitzen besteht.

4) Vor dem Starten des Motors, die Schneidvorrichtung oder die Zapfwelle ausschalten und das Getriebe in den „Leerlauf“ stellen.

5) Geben Sie besonders Acht, wenn Sie sich Hindernissen annähern, die die Sicht behindern könnten.

6) Die Feststellbremse anziehen, wenn man die Maschine parkt.

7) Die Maschine darf nicht an Steigungen von mehr als 10° (17%) verwendet werden, unabhängig von der Arbeitsrichtung.

8) Beachten Sie, dass es keinen „sicheren“ Hang gibt. Das Fahren auf Rasen in Hanglagen erfordert besondere Aufmerksamkeit. Um zu vermeiden, dass die Maschine kippt oder man die Kontrolle verliert:

- Bei Bergauf- oder Bergabfahrten nicht ruckartig anhalten oder anfahren.

- Das Getriebe sanft einkuppeln und den Gang stets eingelegt lassen. Dies gilt insbesondere bei Bergabfahrten;

- die Geschwindigkeit ist an Hängen und in engen Kurven zu vermindern;

- auf Erhebungen, Vertiefungen und unsichtbare Gefahren achten;

- niemals quer zum Hang mähen. An Hängen muss in Richtung des Gefälles aufwärts/abwärts und nicht quer gefahren werden. Bei

Richtungswechsel ist sehr darauf zu achten, dass die hangaufwärts gerichteten Räder nicht auf Hindernisse stoßen (Steine, Äste, Wurzeln usw.), die ein seitliches Abrutschen, Umstürzen oder den Verlust der Kontrolle über die Maschine verursachen könnten.

9) Vor jedem Richtungswechsel am Hang ist die Geschwindigkeit zu vermindern und, wenn man die Maschine abstellt und unbewacht lässt, ist immer die Feststellbremse anzuziehen.

10) In der Nähe von abschüssigen Stellen, Gräben oder Dämmen besonders vorsichtig sein. Die Maschine kann umstürzen, wenn ein Rad über einen Rand hinaus geht oder wenn der Rand abrutscht.

11) Besonders vorsichtig sein, wenn man im Rückwärtsgang fährt und arbeitet. Schauen Sie hinter sich, bevor Sie in den Rückwärtsgang schalten und während Sie zurücksetzen, um sicherzustellen, dass keine Hindernisse vorhanden sind.

12) Seien Sie vorsichtig beim Ziehen von Lasten oder wenn Sie schwere Ausrüstungen verwenden:

- Für die Zugstangen nur zugelassene Anhängervorrichtungen benutzen.
- Lasten auf diejenigen beschränken, die leicht zu kontrollieren sind.
- Nicht ruckartig lenken. Vorsicht beim Rückwärtsfahren;
- Sofern im Handbuch empfohlen, Gegengewichte oder Gewichte an den Rädern benutzen.

13) Schalten Sie das Schneidwerkzeug oder die Zapfwelle aus und stellen Sie die Schneidwerkzeugbaugruppe in die höchste Position, wenn der Mäher über andere Flächen als Gras transportiert wird und wenn Sie die Maschine zur Mähfläche hin- und wieder abtransportieren.

14) Wenn Sie die Maschine in der Nähe der Straße verwenden, achten Sie auf den Verkehr.

15) ACHTUNG! Die Maschine ist zum Fahren auf öffentlichen Straßen nicht zugelassen. Ihr Einsatz (im Sinne der Straßenverkehrsordnung) darf ausschließlich auf privatem Gelände erfolgen, das dem öffentlichen Verkehr nicht zugänglich ist.

16) Die Maschine nie mit beschädigten, fehlenden oder nicht korrekt angebrachten Schutzvorrichtungen verwenden (Grasfangeinrichtung, seitlicher oder hinterer Auslasschutz).

17) Halten Sie Hände und Füße immer von den Schneidwerkzeugen fern. Dies gilt sowohl beim Anlassen des Motors als auch während des Gebrauchs der Maschine. Achtung: Das Schneideelement dreht sich auch nach dem Auskuppeln noch einige Sekunden nach dem Ausschalten des Motors weiter. Halten Sie sich immer entfernt von der Auswurföffnung.

18) Lassen Sie die Maschine nicht mit laufendem Motor im hohen Gras stehen, um Brandgefahr zu vermeiden.

19) Wenn Sie das Zubehör verwenden, richten Sie den Auswurf nie gegen Personen.

20) Verwenden Sie ausschließlich vom Hersteller der Maschine genehmigte Zubehörteile.

21) Die Maschine nicht verwenden, wenn das Zubehör/die Werkzeuge nicht in den vorgesehenen Punkten installiert sind.

22) Seien Sie vorsichtig, wenn Sie Grasfangeinrichtungen und Anbauteile verwenden, die die Stabilität der Maschine beeinträchtigen können, vor allem an Hängen.

23) Ändern Sie nicht die Grundeinstellung des Motors und lassen Sie ihn nicht überdrehen.

24) Die Komponenten des Motors, die sich während des Gebrauchs erhitzen nicht berühren. Es besteht Verbrennungsgefahr.

25) Das Schneidwerkzeug oder die Zapfwelle ausschalten, in den Leerlauf gehen und die Feststellbremse ziehen, den Motor anhalten und den Schlüssel abziehen (sicherstellen, dass alle beweglichen Teile vollkommen stillstehen):

- Wenn Sie die Maschine unbewacht lassen, oder die Fahrerposition verlassen;
- bevor Sie Verstopfungen beseitigen oder den Auswurfkanal reinigen;
- bevor Sie die Maschine überprüfen, reinigen oder Arbeiten an ihr durchführen;
- nachdem ein Fremdkörper getroffen wurde. Prüfen Sie, ob Schäden an der Maschine entstanden sind, und führen Sie die erforderlichen Reparaturen aus, bevor Sie die Maschine wieder benutzen.

26) Das Schneidwerkzeug oder die Zapfwelle ausschalten und den

Motor anhalten (sicherstellen, dass alle beweglichen Teile vollkommen stillstehen):

- Bevor Sie nachtanken;
- jedes Mal, wenn die Grasfangeinrichtung abgenommen oder wieder montiert wird;
- jedes Mal, wenn der Auswurfdeflektor abgenommen oder wieder montiert wird.
- Bevor man die Schnitthöhe einstellt, falls dies nicht vom Fahrersitz aus erfolgen kann.

27) Das Schneidwerkzeug oder die Zapfwelle während des Transports und immer wenn sie nicht verwendet werden ausschalten.

28) Bevor Sie den Motor abstellen, nehmen Sie das Gas zurück. Nach Ende der Arbeit, schließen Sie die Benzinzufuhr, indem Sie die Anweisungen im Handbuch befolgen.

29) Auf die Schneidwerkzeugbaugruppe mit mehr als einem Schneidwerkzeug Acht geben, da ein sich drehendes Schneidwerkzeug die Rotation der anderen bewirken kann.

30) Die vorhandenen Sicherheitssysteme/Mikroschalter dürfen nicht abgeschaltet, deaktiviert, entfernt oder verändert werden.

31) ACHTUNG – Im Fall von Brüchen oder Unfällen während der Arbeit, sofort den Motor abstellen und die Maschine entfernen, damit sie keine weiteren Schäden anrichtet. Wenn bei einem Unfall man selbst oder Dritte verletzt werden, unverzüglich die der Situation angemessene erste Hilfe leisten und zur notwendigen Behandlung ein Krankenhaus aufsuchen. Entfernen Sie sorgfältig alle eventuellen Rückstände, die – falls sie unbeaufsichtigt bleiben – Schäden oder Verletzungen an Personen oder Tieren verursachen könnten.

32) ACHTUNG – Die in dieser Anleitung angegebenen Geräusch- und Vibrationspegel sind Höchstwerte beim Betrieb der Maschine. Der Einsatz eines nicht ausgewuchteten Schneidwerkzeugs, die zu hohe Fahrgeschwindigkeit und die fehlende Wartung wirken sich signifikant auf die Geräuschemissionen und die Vibrationen aus. Demzufolge müssen vorbeugende Maßnahmen getroffen werden, um mögliche Schäden durch zu hohen Lärm und Belastungen durch Vibrationen zu vermeiden; die Maschine warten, Gehörschutz tragen, während der Arbeit Pausen einlegen.

33) Während des Grasschnitts oder während des Fahrens kein USB-Zubehör einsetzen.

D) WARTUNG UND LAGERUNG

1) ACHTUNG! - Vor jedem Eingriff zur Reinigung oder Wartung den Zündschlüssel abziehen und die entsprechenden Anweisungen lesen. In allen Situationen, die Gefahren für die Hände mit sich bringen, geeignete Kleidung und Arbeitshandschuhe tragen.

2) ACHTUNG! - Die Maschine nicht verwenden, wenn Teile abgenutzt oder beschädigt sind. Schadhafte oder abgenutzte Teile sind zu ersetzen und dürfen nicht repariert werden. Nur Original-Ersatzteile verwenden: Die Verwendung von nicht Original-Ersatzteilen und/oder nicht korrekt montierten Ersatzteilen beeinträchtigt die Sicherheit der Maschine, kann Unfälle und Verletzungen an Personen verursachen und befreit den Hersteller von jeder Verpflichtung und Haftung.

3) Alle Einstell- und Wartungsarbeiten, die nicht in diesem Handbuch beschrieben sind, müssen von Ihrem Händler oder einem Fachbetrieb ausgeführt werden, die über das Wissen und die erforderlichen Werkzeuge für eine korrekte Arbeitsausführung verfügen, um das ursprüngliche Sicherheitsniveau der Maschine beizubehalten. Eingriffe, die nicht von einer Fachstelle oder von unqualifiziertem Personal ausgeführt werden, haben grundsätzlich den Verfall der Garantie und jeglicher Haftung oder Verantwortung des Herstellers zur Folge.

4) Nach jedem Gebrauch den Schlüssel abziehen und die Maschine auf eventuelle Schäden überprüfen.

5) Sorgen Sie dafür, dass alle Muttern und Schrauben fest angezogen sind, um sicher zu sein, dass die Maschine immer unter guten Bedingungen arbeitet. Eine regelmäßige Wartung ist unerlässlich für die Sicherheit und die Erhaltung der Leistungsfähigkeit.

6) Kontrollieren Sie regelmäßig, dass die Schrauben des Schneidwerkzeugs fest angezogen sind.

7) Arbeitshandschuhe tragen, um die Schneidwerkzeuge zu handhaben, sie abzunehmen oder wieder zu montieren.

8) Beim Schärfen der Schneidwerkzeuge ist auf deren Auswuchtung zu achten. Alle Arbeiten, die Schneidwerkzeuge betreffen (Ausbau, Schärfen, Auswuchten, Einbau und/oder Auswechseln), sind aufwändige Arbeiten, die außer der Verwendung spezieller Werkzeuge

auch ein bestimmtes Fachkönnen erfordern. Aus Sicherheitsgründen müssen diese Arbeiten daher immer in einem Fachbetrieb ausgeführt werden.

9) Regelmäßig die Funktion der Bremsen kontrollieren. Die Wartung der Bremsen ist wichtig. Falls erforderlich müssen sie repariert werden.

10) Prüfen Sie regelmäßig den seitlichen bzw. den Auswurfschutz, die Grasfangeinrichtung und das Ansauggitter. Falls sie beschädigt sind, müssen sie ersetzt werden.

11) Beschädigte Warn- und Hinweisschilder müssen ausgewechselt werden.

12) Wenn Sie die Maschine parken oder unbewacht lassen, senken Sie die Schneidwerkzeugbaugruppe ab.

13) Stellen Sie die Maschine an einem für Kinder unzugänglichen Platz ab.

14) Bewahren Sie die Maschine mit Benzin im Tank niemals in einem Raum auf, in dem Benzindämpfe mit offenem Feuer, einer Hitzequelle oder Funken in Berührung kommen könnten.

15) Lassen Sie den Motor abkühlen, bevor Sie die Maschine in einem Raum abstellen.

16) Um Brandgefahr zu vermeiden, halten Sie Motor und Auspufftopf, den Platz für die Batterie sowie den Platz, an dem Benzinkanister gelagert werden, frei von Gras, Blättern oder austretendem Fett. Die Grasfangeinrichtung leeren und keine Behälter mit gemähertem Gras in einem geschlossenen Raum aufbewahren.

17) Um Brandgefahr zu vermeiden, kontrollieren Sie regelmäßig, dass keine Öl- und/oder Kraftstoffverluste auftreten.

18) Falls der Tank zu entleeren ist, muss dies im Freien und bei kaltem Motor erfolgen.

19) Lassen Sie die Schlüssel nie eingesteckt oder in Reichweite von Kindern oder nicht befähigten Personen. Vor Beginn aller Wartungseingriffe immer den Zündschlüssel abziehen.

20) Während der Arbeiten zur Einstellung der Maschine darauf achten, dass die Finger nicht zwischen dem sich drehenden Schneidwerkzeug und den festen Teilen der Maschine eingeklemmt werden.

E) TRANSPORT

1) ACHTUNG! - Wenn die Maschine auf einem Lastwagen oder Anhänger transportiert werden soll, müssen Auffahrampen von geeigneter Tragkraft, Breite und Länge verwendet werden. Die Maschine darf ausschließlich mit ausgeschaltetem Motor, ohne Fahrer und indem sie von einer entsprechenden Zahl von Personen geschoben wird aufgeladen werden. Während des Transports das Schneidwerkzeug oder Zubehör absenken, die Feststellbremse anziehen, die Maschine so positionieren, dass sie für niemanden eine Gefahr darstellt.

Sie fest mithilfe von Seilen oder Ketten an das Transportmittel fixieren, um ein Umkippen mit möglicher Beschädigung und Austreten von Kraftstoff zu vermeiden.

F) UMWELTSCHUTZ

1) Der Umweltschutz muss ein wesentlicher und vorrangiger Aspekt bei der Verwendung der Maschine sein, zum Vorteil des zivilen Zusammenlebens und unserer Umgebung. Vermeiden Sie es, Ihre Nachbarschaft zu stören.

2) Halten Sie sich strikt an die örtlichen Vorschriften für die Entsorgung von Verpackungen, Öl, Benzin, Filter, beschädigten Teilen oder sämtlichen weiteren umweltschädlichen Stoffen. Diese Stoffe dürfen nicht zusammen mit dem Hausmüll entsorgt werden, sondern müssen getrennt gesammelt und zum Wertstoffhof gebracht werden, der für die Wiederverwendung der Materialien sorgt.

3) Halten Sie sich strikt an die örtlichen Vorschriften für die Entsorgung der Schneidreste.

4) Bei der Außerbetriebnahme darf die Maschine nicht einfach in der Umwelt abgestellt werden, sondern muss gemäß der örtlichen Vorschriften an einen Wertstoffhof übergeben werden.

1.2 BESCHREIBUNG DER MASCHINE UND EINSATZBEREICH

Diese Maschine ist ein Gartenbaugerät, genauer gesagt ein Aufsitzmäher.

Die Maschine verfügt über einen Motor, der das Schneidwerkzeug betätigt und durch ein Gehäuse geschützt ist, sowie über ein Antrieb-

saggregat, das für die Bewegung der Maschine sorgt.

Der Bediener kann die Maschine führen und die Hauptsteuerungen betätigen ohne den Fahrersitz zu verlassen.

Die an der Maschine montierten Vorrichtungen sehen das Anhalten des Motors und der Schneidvorrichtung innerhalb weniger Sekunden vor, falls die Handlungen des Bedieners nicht mit den vorgesehenen Sicherheitsbedingungen übereinstimmen.

Bestimmungsgemäße Verwendung

Diese Maschine ist zum Mähen von Gras geplant und gebaut.

Die Verwendung von speziellem Zubehör, das vom Hersteller als Original-Ausrüstung vorgesehen ist oder separat gekauft werden kann, ermöglicht es, diese Arbeit in verschiedenen Betriebsarten durchzuführen, die in diesem Handbuch oder in den Anleitungen zu den einzelnen Zubehöerteilen beschrieben sind.

Ebenso kann die Möglichkeit, zusätzliche Anbaugeräte (falls vom Hersteller vorgesehen) anzubringen, den bestimmungsgemäßen Gebrauch auf andere Funktionen erweitern, innerhalb der Beschränkungen und zu den Bedingungen, die in den Anleitungen zu den einzelnen Anbaugeräten aufgeführt sind.

Benutzer

Diese Maschine ist für die Benutzung durch Verbraucher bestimmt, d.h. Laien ohne Erfahrung. Diese Maschine ist für den „Hobbygebrauch“ bestimmt.

Unsachgemäße Verwendung

Jede andere Verwendung, die von der oben genannten abweicht, kann sich als gefährlich erweisen und Personen- und/oder Sachschäden verursachen. Als nicht bestimmungsgemäße Verwendung gelten (beispielhaft):

- Transport von anderen Personen, Kindern oder Tieren auf der Maschine oder einem Anhänger;
- Ziehen oder Schieben von Lasten ohne Verwendung des entsprechenden, für den Zugbetrieb vorgesehenen Zubehörs.
- Die Maschine zum Befahren von instabilem, rutschigem, vereistem, steinigem oder lockerem Untergrund, Pfützen oder stehendem Wasser, die eine Beurteilung der Bodenbeschaffenheit nicht möglich machen, benutzen;
- das Schneidwerkzeug in graslosen Bereichen betätigen;
- die Maschine für das Sammeln von Laub oder Abfall verwenden.

Die nicht bestimmungsgemäße Verwendung der Maschine hat den Verfall der Garantie und die Ablehnung jeder Haftung seitens des Herstellers zur Folge. Dem Benutzer selbst dadurch entstandene oder Dritten zugefügte Schäden oder Verletzungen gehen zu Lasten des Benutzers.

1.3. SICHERHEITSETIKETTEN

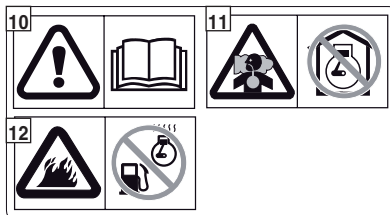
Bitte seien Sie bei der Benutzung Ihrer Maschine vorsichtig. Um Sie daran zu erinnern, haben wir auf der Maschine Aufkleber mit Symbolen angebracht, die Sie auf die wichtigsten Vorsichtsmaßnahmen beim Gebrauch hinweisen. Diese Aufkleber sind als wesentlicher Bestandteil der Maschine anzusehen. Wenn sich ein Aufkleber löst oder unleserlich wird, wenden Sie sich an Ihren Händler, um sie zu ersetzen. Die Bedeutung der Symbole ist nachstehend erklärt.



- 1 = **Achtung:** Vor dem Gebrauch der Maschine die Gebrauchsanweisungen lesen.
- 2 = **Achtung:** Den Zündschlüssel abziehen und die entsprechenden Anweisungen lesen, bevor Sie Wartungs- oder Reparaturarbeiten ausführen.
- 3 = **Gefahr! Auswurf von Gegenständen:** Nicht arbeiten, wenn der hintere Auswurfschutz oder die Grasfangeinrichtung nicht montiert sind.
- 4 = **Gefahr! Auswurf von Gegenständen:** Personen fernhalten.
- 5 = **Gefahr! Umstürzen der Maschine:** Nicht an Hängen mit einer Neigung über 10° einsetzen.
- 6 = **Gefahr! Körperverstümmelungen:** Sich vergewissern, dass Kinder von der Maschine fern bleiben, wenn der Motor läuft.
- 6a = Nicht auf die Maschine steigen und auf die Schutzeinrichtungen der Schneidwerkzeugbaugruppe treten.



- 7 = **Schnittgefahr.** Schneidwerkzeuge in Bewegung. Führen Sie nie Hände oder Füße in den Sitz der Schneidwerkzeuge ein.
- 8 = **Achtung:** Den Mikroschalter nicht manipulieren.
- 9 = **Verletzungen durch Riemen vermeiden:** Die Maschine nicht ohne montierte Schutzabdeckungen in Betrieb nehmen. Von den Riemen fernbleiben.



- 10 = **Achtung:** Vor dem Gebrauch der Maschine die Gebrauchsanweisungen lesen.
- 11 = **Achtung:** Der Motor gibt Kohlenmonoxid ab, das ein toxisches Giftgas ist. Nicht in einem geschlossenen Raum auslösen.
- 12 = **Achtung!** Benzin ist extrem entflammbar und explosiv. Den Motor ausschalten und abkühlen lassen, bevor nachgetankt wird.



- 13 = **Achtung:** Während des Betriebs wird der Schalldämpfer sehr heiß und bleibt das auch nach dem Stillstand des Motors für eine bestimmte Zeit.



- 14 = **Recyclbares Produkt.** Enthält Blei. Nicht an die Umwelt abgeben. Nach den geltenden Normen entsorgen.

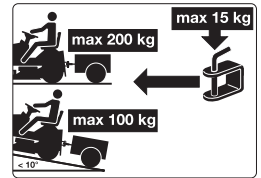


- 15 = **Brennbare Dämpfe** – Keine offenen Flammen annähern.
- 16 = Eine Schutzbrille tragen.
- 17 = Außerhalb der Reichweite von Kindern aufbewahren.
- 18 = **Ätzende Flüssigkeit.** Im Falle eines Kontakts, sofort mit Wasser abspülen und einen Arzt aufsuchen
- 19 = Die Gebrauchsanweisung lesen.
- 20 = Explosionsgefahr.

1.4 ANWEISUNGEN FÜR DEN ANHÄNGER

Auf Anfrage ist ein Kit zum Ziehen eines kleinen Anhängers erhältlich; dieses Zubehör muss gemäß den mitgelieferten Anleitungen montiert werden.

Beim Gebrauch die auf dem Aufkleber angegebenen Lastgrenzen nicht überschreiten und die Sicherheitsvorschriften beachten, (☛ 1.2, C-6).

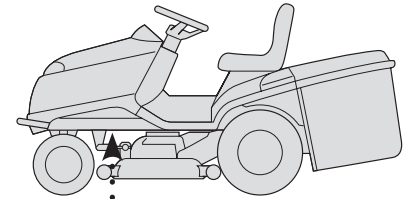


Gesamtzuggewicht: eben: 200 kg oder bei geringen Neigungen (10° oder weniger): 100 kg oder weniger

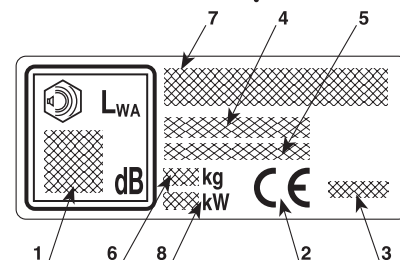
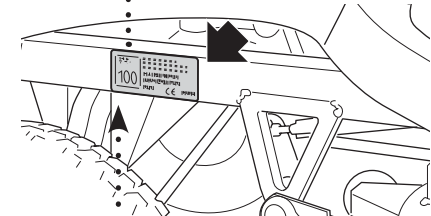
2. KENNZEICHNUNG DER MASCHINE UND IHRER BAUTEILE

2.1 GEBRAUCH DER MASCHINE

Das Identifikationsschild, das sich auf der linken Rahmenseite befindet, enthält die wesentlichen Daten jeder Maschine.



Die Seriennummer (5) ist unbedingt anzugeben, wenn Sie den Technischen Kundendienst anfordern oder Ersatzteile bestellen.



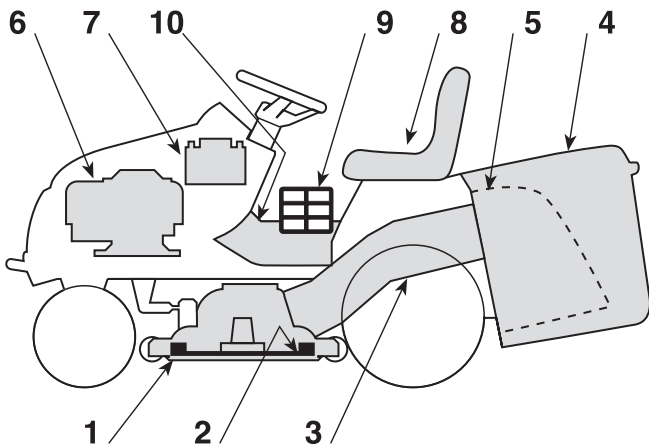
1. Schalleistungspegel gemäß Richtlinie 2000/14/EG, 2005/88/EG
2. Konformitätszeichen gemäß der Richtlinie 2006/42/EG, 2005/88/EG, 2014/30/EU
3. Herstellungsjahr
4. Maschinentyp
5. Seriennummer
6. Gewicht in kg (mit leerem Tank)
7. Name und Adresse des Herstellers sind in der "EG-Konformitätserklärung" – INHALTSÜBERSICHT wiedergegeben, die in diesem Hinweishandbuch enthalten ist.
8. Nennleistung des Motors (bei 2800 min⁻¹)

SO ERKENNEN SIE IHRE MASCHINE WIEDER

In diesem Handbuch sind die Vorbereitungs-, Betriebs- und Wartungsarbeiten einer Maschinenpalette beschrieben, die jeweils einige Unterschiede untereinander aufweisen. Deshalb ist es wichtig, dass Sie das Modell Ihrer Maschine sicher identifizieren, um alle Informationen korrekt befolgen zu können, die sich darauf beziehen.

Das Modell Ihrer Maschine ist auf dem "Typenschild" unter Punkt 4 angegeben und besteht aus einer Reihe von Buchstaben und Zahlen.

Auf den folgenden Seiten dieses Handbuchs geht jedem Arbeitsschritt bezüglich eines oder mehrerer Modelle die Angabe der Modelle voraus, auf die er sich bezieht. Falls es keine Angabe gibt, so muss diese Beschreibung für alle Modelle als gültig angesehen werden.



2.2 KENNZEICHNUNG DER WESENTLICHEN BAUTEILE

Die Maschine hat einige wesentliche Bauteile mit folgenden Funktionen:

- 1. Schneidwerkzeugbaugruppe:** ist das Gehäuse, das die rotierenden Schneidwerkzeuge umschließt.
- 2. Schneidwerkzeuge:** Sind die zum Mähen des Grasses bestimmten Bauteile. Die an den Außenseiten angebrachten Flügel erleichtern die Zuführung des gemähten Grasses zum Auswurfkanal.
- 3. Auswurfkanal:** ist das Verbindungselement zwischen Schneidwerkzeugbaugruppe und Grasfangeinrichtung.
- 4. Grasfangeinrichtung:** außer der Funktion, das gemähte Gras einzusammeln, kommt der Grasfangeinrichtung eine Sicherheitsfunktion zu. Sie verhindert, dass eventuell durch die Schneidwerkzeuge aufgenommene Gegenstände weit von der Maschine weggeschleudert werden.
- 5. Hinterer Auswurfschutz (auf Anfrage erhältlich):** wenn er anstelle der Grasfangeinrichtung montiert wird, verhindert er, dass eventuell durch die Schneidwerkzeuge aufgenommene Gegenstände weit von der Maschine weggeschleudert werden.
- 6. Motor:** liefert den Antrieb sowohl für die Schneidwerkzeuge als auch für die Räder.
- 7. Batterie:** liefert die Energie zum Anlassen des Motors. Ihre Eigenschaften und Gebrauchsvorschriften sind in einem besonderen Handbuch beschrieben.
- 8. Sitz:** ist der Arbeitsplatz des Benutzers. Er ist mit einem Fühler ausgerüstet, der die Anwesenheit des Benutzers registriert und erforderlichenfalls ein Auslösen der Sicherheitsvorrichtungen bewirkt.
- 9. Aufkleber mit Vorschriften und Sicherheitshinweisen:** enthalten die wichtigsten Sicherheitsvorschriften für die Arbeit. Ihre Bedeutung ist in Kapitel 1 erläutert.
- 10. Inspektionsklappe:** um auf einige Einstellungen zuzugreifen.

3. AUSPACKEN UND ZUSAMMENBAU

Aus Gründen der Lagerung und des Transports werden einige Bauteile der Maschine nicht in der Fabrik eingebaut, sondern müssen nach Entfernung der Verpackung nach den folgenden Anweisungen montiert werden.

⚠ ACHTUNG! *Das Auspacken und die Montage müssen auf einer ebenen und stabilen Oberfläche erfolgen. Es muss genügend Platz zur Bewegung der Maschine und der Verpackung sowie das geeignete Werkzeug zur Verfügung stehen. Die Maschine nicht verwenden, bevor die Anweisungen des Abschnitts "MONTAGE" ausgeführt wurden.*

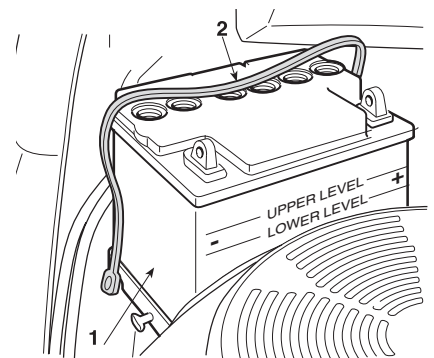
3.1 AKTIVIERUNG UND ANSCHLUSS DER BATTERIE

WICHTIG TROCKENBATTERIE!

Die Batterie (1) befindet sich hinter dem Motor, und wird durch ein elastisches Band (2) gehalten.

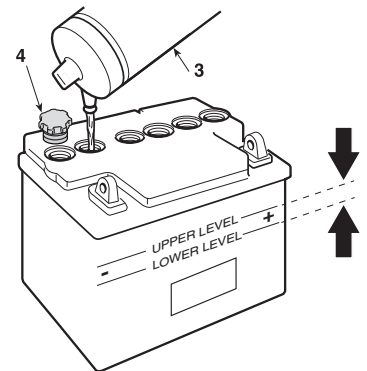
Das elastische Band (2) lösen und die Batterie herausnehmen.

Das Klebeband abnehmen und die Elektrolytlösung (3) eingießen (Verdünnte Schwefelsäure nicht mitgeliefert: spezifisches Gewicht 1,280). Sie dabei einheitlich auf die sechs Elemente verteilen, bis das auf der Batterie angegebene "OBERE NIVEAU" als Bezugsniveau erreicht ist.

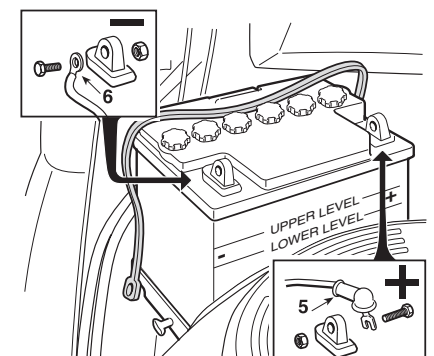


WICHTIG *Im Augenblick des Auffüllens darf die Elektrolytlösung 30 °C/86 °F nicht überschreiten).*

Die Batterie nach dem Auffüllen mindestens eine halbe Stunde lang in Ruheposition lassen. Das Niveau der Elektrolytlösung muss absinken. Die Elektrolytlösung erneut bis zum Bezugsniveau "OBERE NIVEAU" auffüllen.



Das Niveau muss immer zwischen dem Bezugspunkt "OBERE NIVEAU" und "UNTERES NIVEAU" verbleiben, die auf der Batterie angegeben sind.



Die sechs mitgelieferten Deckel (4) in Position bringen und verschrauben und die Batterie laden.

WICHTIG *Nach dem Befüllen der Batterie muss diese immer vollständig bei Ihrem Fachhändler geladen werden, der über geeignete Ladegeräte verfügt. Das mitgelieferte Ladegerät ist*

NICHT in der Lage, die erste Ladung nach der Aktivierung auszuführen.

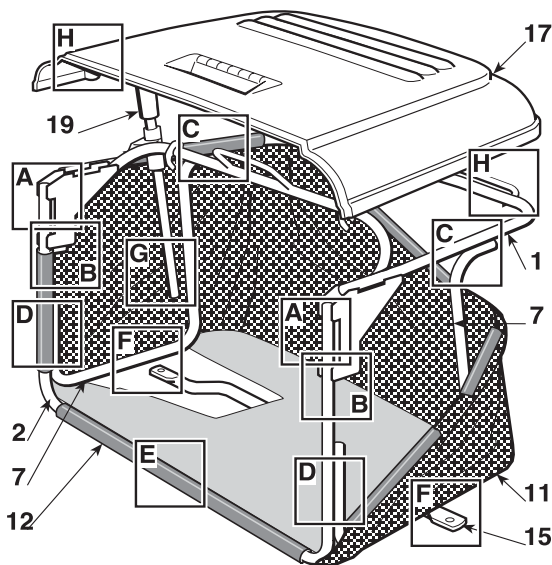
Zuerst das rote Kabel (5) an den Pluspol (+) und anschließend das schwarze Kabel (6) an den Minuspol (-) mit den mitgelieferten Schrauben wie angezeigt anschließen. Die Klemmen mit Silikonfett bestreichen und auf die korrekte Positionierung der Schutzkappe des roten Kabels (5) achten.

WICHTIG Um ein Auslösen der Schutzeinrichtung der elektronischen Steuerkarte zu vermeiden, darf der Motor keinesfalls angelassen werden, ehe die Batterie vollständig geladen ist!

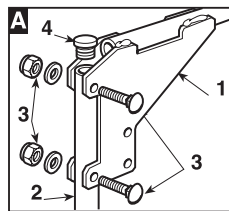
ACHTUNG! Die Batteriesäure ist ätzend und umweltschädlich. Verwenden Sie bei der Behandlung Handschuhe und entsorgen Sie die Batterie gemäß der geltenden Richtlinien.

WICHTIG LEDIGLICH die spezifische Batterie des Modells CNB 31500-VK1-810-M1 verwenden.

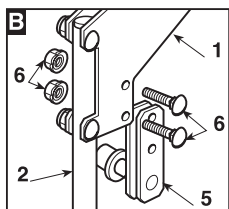
3.2 MONTAGE DER GRASFANGEINRICHTUNG



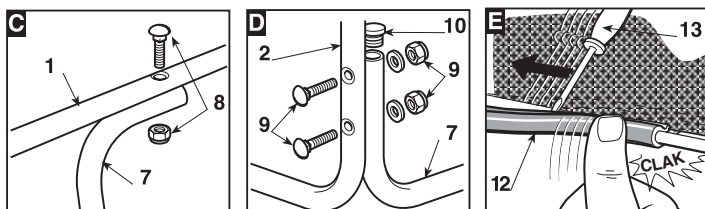
A) Der obere Teil (1) mit dem vorderen Teil (2) unter Verwendung der mitgelieferten Schrauben und Muttern (3) verbinden, wie dies angezeigt ist. Setzen Sie die beiden Gummistöpsel (4) in die Bohrungen des vorderen Rahmenrohrs (2) ein.



B) Bevor die Muttern (3) festgezogen werden, zwischen den Platten des oberen Rahmens (1) die zwei Halterungen (5) mit den nach innen gewendeten Rollen einführen und sie mit den Schrauben und Muttern (6) befestigen. Die Muttern (3) dann festziehen.



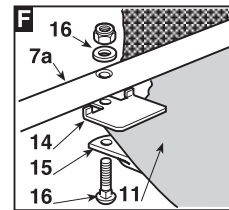
C-D) Die zwei seitlichen Elemente (7) montieren und hierzu die Schrauben und Muttern (8 und 9) wie angegeben verwenden. Setzen Sie die beiden Gummistöpsel (10) in die Bohrungen der beiden seitlichen Elemente (7) ein.



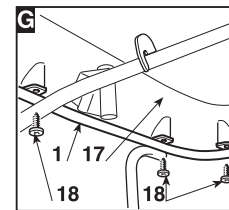
E) Den so montierten Rahmen in den Stoff sack (11) einführen und dafür sorgen, dass er genau entlang des Bodenumrisses positioniert wird. Mit Hilfe eines Schraubenziehers (13) alle Kunststoffprofile (12) über die Rohre des Rahmens stülpen.

HF2...HB **HF2...HM**

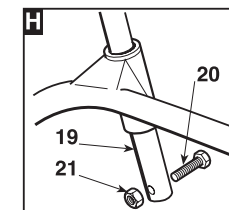
F) Die Platte (14) zwischen Tuch und unterem Teil des rechten Seitenteils (7a) des Rahmens einsetzen, die Bohrungen dabei in Übereinstimmung bringen.



F) Die Querleiste (15) zur Verstärkung mit Hilfe der Schrauben und Muttern (16) unter dem Rahmen montieren. Dabei muss die flache Seite dem Tuch zugewandt sein.



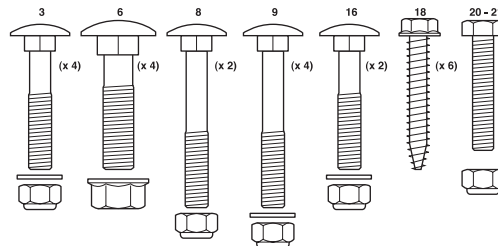
G) Die Abdeckung (17) montieren, diese mit den sechs Schrauben (18) am oberen Teil des Rahmens (1) befestigen.



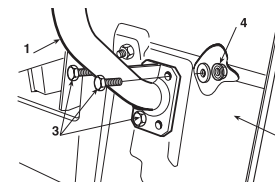
HF2...HB **HF2...HM**

H) Den Hebel zum Entleeren (19) in seinen Sitz einführen und die Sperrschraube (20) mit der dazu gehörenden Mutter (21) montieren.

3.3 MONTAGE DER HALTERUNGEN DER GRASFANGEINRICHTUNG

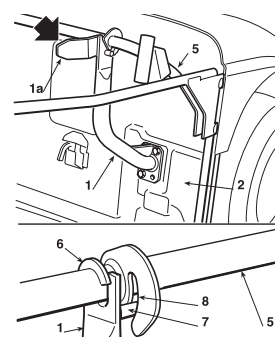


Die beiden Halter (1) auf der hinteren Platte (2) unter Verwendung der drei mitgelieferten Schrauben (3) wie dargestellt montieren, ohne die dazu gehörenden Muttern (4) festzuziehen. Die Halterungen (1) müssen so montiert werden, dass die Flügel (1a) nach innen gewendet sind.



Die obere Seite (5) des Rahmens der Grasfangeinrichtung in die Halter einhaken und auf die hintere Platte (2) ausrichten.

Die Position der beiden Halter (1) in Bezug auf den Anschlag (6) so einrichten, dass beim Drehen des Rahmens der Grasfangeinrichtung der Stift (7) genau in den Sitz (8) passt.

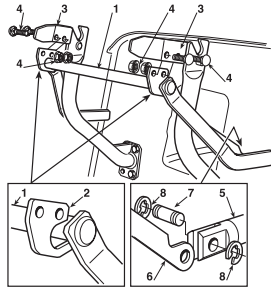


Sich nochmals vergewissern, dass der Rahmen (5) in Bezug auf die hintere Platte (2) gut zentriert ist und dass die Drehbewegung, wie oben gezeigt, korrekt erfolgt. Dann die Schrauben (3) und die Muttern (4) zur Befestigung festziehen.

3.4 MONTAGE DER KIPPHEBEL DER GRASFANGEINRICHTUNG

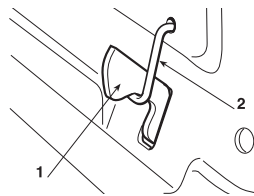


- Die Achse der Hebel (1) in der Aussparung der beiden Platten (2) positionieren, und an der Innenseite der Halterungen der Grasfangeinrichtung (3) mit den mit gelieferten Schrauben und Muttern (4) in der Reihenfolge wie in der Abbildung angegeben befestigen.
- Das Ende der Stange (5) des Hubkolbens über den Zapfen (7) mit dem Hebel (6) verbinden und die beiden Sprengringe (8) montieren.
- Bevor man die Grasfangeinrichtung auf die Halterungen montiert sicherstellen, dass die Bewegung der Kipphebel regulär erfolgt.

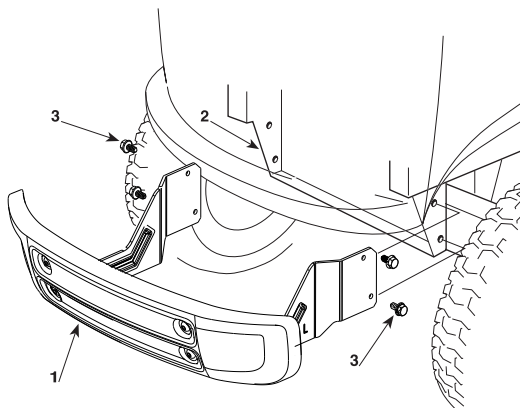


3.5 ENTFERNEN DER FESTSTELLVORRICHTUNG FÜR DIE SPERRKLINKE DER AUFHÄNGUNG DER GRASFANGEINRICHTUNG

Für den Transport ist die Sperrklinke (1) der Aufhängung der Grasfangeinrichtung mittels einer Feststellvorrichtung (2) an der hinteren Platte verriegelt. Diese Feststellvorrichtung muss entfernt werden, ehe die Halterungen der Grasfangeinrichtung montiert werden, und darf nicht mehr verwendet werden.

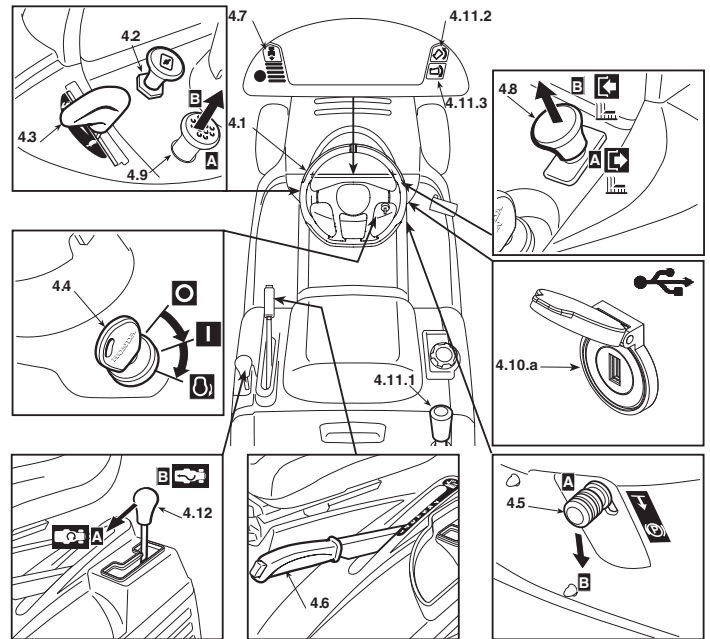


3.6 MONTAGE DER VORDEREN STOSSSTANGE



Die vordere Stoßstange (1) mit den vier Schrauben (3) am unteren Teil des Rahmens (2) montieren.

4. BEDIENUNGSEINRICHTUNGEN UND KONTROLLINSTRUMENTE



4.1 LENKRAD

Steuert die Lenkung der Vorderräder.

4.2 CHOKE-STEUERUNG

Wird beim Starten eines kalten Motors benutzt. Bewirkt eine Anreicherung des Gemisches und darf nur während der notwendigen Zeit benutzt werden.

4.3 GASHEBEL

Die Motorgeschwindigkeit einstellen. Die auf dem Schild angezeigten Positionen entsprechen:

«LANGSAM» niedrigste Motordrehzahl

«SCHNELL» höchste Motordrehzahl

- Beim Fahren wählt man eine Position zwischen «LANGSAM» und «SCHNELL».
- Während des Mähens ist den Hebel auf «SCHNELL» stellen.

4.4 SCHLÜSSELSCHALTER

Dieser Schalter mit Schlüssel hat die folgenden drei Positionen:

○ «STOPP» alles ausgeschaltet;

I «EIN» alle Funktionen aktiviert;

⓪ «STARTEN» betätigt den Anlassermotor und der Motor schaltet ein.

Beim Loslassen des Zündschlüssels aus der Position «STARTEN» kehrt dieser automatisch in die Position «EIN» zurück.

4.5 HEBEL DER FESTSTELLBREMSE

Die Feststellbremse verhindert, dass sich die Maschine in Parkstellung bewegt. Der Bremshebel hat zwei Positionen:

⏴ «A» = Bremse gelöst

Ⓟ «B» = Bremse angezogen

- Um die Feststellbremse einzulegen, muss das Pedal (4.21) ganz durchgedrückt und der Hebel in die Position «B» gebracht werden. Wenn man den Fuß vom Pedal nimmt, bleibt dieses unten und wird in dieser Stellung vom Hebel blockiert.
- Der Zustand "Bremse angezogen" wird durch die Kontrolllampe (4.13.e) angezeigt.
- Um die Feststellbremse zu lösen, ist erneut das Pedal (4.21) zu drücken und der Hebel geht in Position «A» zurück.

4.6 HEBEL ZUR REGULIERUNG DER SCHNITTHÖHE

Durch diesen Hebel erfolgt das Anheben und Absenken der Schneidwerkzeugbaugruppe, die in 7 verschiedenen Schnitthöhen positioniert werden kann.

1

7



Die sieben Positionen sind auf dem entsprechenden Schild mit den Zahlen von «1» bis «7» angezeigt und entsprechen ebenso vielen Schnitthöhen. Ihre Werte sind in der Tabelle "Technische Eigenschaften" (☛ Kap. 10) angegeben.

- Um von einer Position in eine andere zu wechseln, muss zum Entsperrern der Druckknopf am Ende des Hebels gedrückt werden.

4.7 FREIGABETASTE SCHNEIDEN IM RÜCKWÄRTSGANG



Wenn man die Taste gedrückt hält, kann man mit eingeschalteten Schneidwerkzeugen rückwärts fahren, ohne dass der Motor anhält.

4.8 HEBEL ZUM EINSCHALTEN UND ABBREMSEN DER SCHNEIDWERKZEUGE

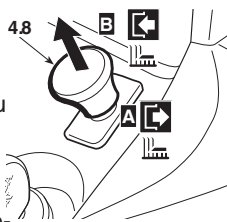
Dieser Schalter ermöglicht das Einschalten der Schneidwerkzeuge über eine elektromagnetische Kupplung.



«A» Gedrückt = Schneidwerkzeuge ausgeschaltet



«B» Gezogen = Schneidwerkzeuge eingeschaltet



- Der Zustand "Schneidwerkzeuge eingeschaltet" wird durch die Kontrolllampe (☛ 4.13.g) angezeigt.
- Wenn die Schneidwerkzeuge eingeschaltet werden, ohne dass die vorgesehenen Sicherheitsbedingungen erfüllt sind, schaltet sich der Motor aus und kann nicht angelassen werden (☛ 5.2).
- Beim Ausschalten der Schneidwerkzeuge (Position «A») wird gleichzeitig ein Bremsvorgang ausgelöst, welcher die Schneidwerkzeuge in wenigen Sekunden zum Stillstand bringt.
- Das Einschalten der Schneidwerkzeuge im Rückwärtsgang ist nur möglich, wenn man die Taste 4.7 gedrückt hält.

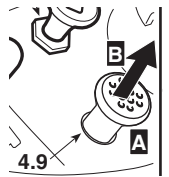
4.9 VORRICHTUNG ZUR ERHALTUNG DER GESCHWINDIGKEIT (CRUISE CONTROL)

▶ HF2417HM • HF2417HT • HF2625H♦

- Diese Vorrichtung ermöglicht es, die im Vorwärtsgang gewünschte Geschwindigkeit beizubehalten, ohne dass man das Pedal (4.22) getreten halten muss.
- Der Pilztaster hat zwei Positionen:



1. «A» = gedrückt. Vorrichtung ausgeschaltet (nicht aktiv)
2. «B» = gezogen. Vorrichtung eingeschaltet (aktiv)



- - Wenn man die Vorrichtung einschaltet, während man vorwärts fährt, behält die Maschine die in diesem Moment erreichte Geschwindigkeit bei, ohne dass das Pedal (4.22) getreten werden muss.
- - Im Rückwärtsgang kann die Vorrichtung nicht eingeschaltet werden.
- - Bei eingeschalteter Vorrichtung ist es nicht möglich, das Pedal für den Rückwärtsgang (Abb. 4.23) zu betätigen.
- - Auf ansteigenden oder abfallenden Abschnitten kann sich die Geschwindigkeit in Bezug auf die in der Ebene eingestellte Geschwindigkeit ändern.

- Um die Vorrichtung auszuschalten und die Vorschubgeschwindigkeit wieder über das Pedal (4.22) zu steuern, braucht man nur:
- das Pedal (4.22) drücken

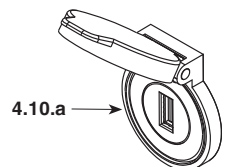
oder

- das Bremspedal (4.21) drücken.
- In beiden Fällen kehrt der Pilztaster automatisch in die Stellung «Gedrückt» zurück.

4.10 USB-ZUBEHÖRSTECKDOSE

▶ HF2417HM • HF2417HT • HF2625H♦

- Diese Steckdose kann USB-Geräte laden. Sie hat nur eine Aufladefunktion.
- Die Steckdose hat keine Kommunikationsfunktion mit dem angeschlossenen USB-Gerät.



- Die Steckdose wird nur mit Strom versorgt, wenn der Schlüssel (4.4) in Stellung «EIN» steht.

- Das USB-Gerät mit laufendem Motor aufladen.
- Andernfalls entlädt sich die Batterie.

- Das USB-Zubehör nicht bei Regen oder Feuchtigkeit aufladen.
- Die Verwendung unter den oben genannten Bedingungen führt zum Verfallen der Garantie. In diesem Fall lehnt der Hersteller jegliche Haftung ab, wenn Probleme auftreten.

- Den Deckel der USB-Steckdose nicht unter Regenbedingungen oder in regnerischen Bereichen öffnen.

- Während des Transports oder während des Mähens keinerlei Gerät verwenden.

- Bevor das Gerät an die Zubehörsteckdose angeschlossen wird, sicherstellen, dass alle enthaltenen Daten gespeichert wurden.
- Wenn während der Verwendung des USB-Anschlusses Daten gelöscht werden, lehnt der Hersteller jegliche Haftung ab.

4.10.1 USB-ZUBEHÖR-ANSCHLUSS

▶ HF2417HM• HF2417HT• HF2625H♦

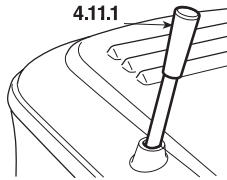
- Support, um das USB-Zubehör anzuschließen.



4.11 BEFEHL ZUM KIPPEN DER GRASFANGEINRICHTUNG

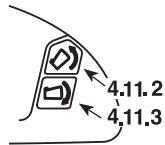
▶ HF2...HB• HF2...HM•

- Das Kippen der Grasfangeinrichtung zum Entleeren erfolgt über den Hebel (4.11.1), der aus seinem Sitz genommen werden kann.



▶ HF2...HT•

- Das Kippen der Grasfangvorrichtung zum Entleeren erfolgt durch Drücken der Taste (4.11.2). Hierbei muss gedrückt werden, bis die Grasfangvorrichtung ihre höchste Position erreicht (☛ 5.4.6).

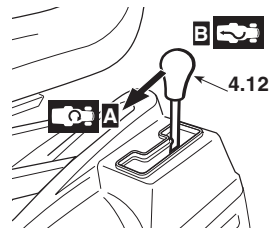


- Die Grasfangeinrichtung kehrt in Arbeitsposition zurück, wenn man die Taste (4.11.3) drückt und sie gedrückt hält, bis der Haken eingehängt ist und der Steuermotor anhält.

4.12 EINSCHALTHEBEL «MULCHING»

▶ HF2417HM• HF2417HT• HF2625H♦

- Mit dem Hebel wird die «Mulching»-Funktion eingeschaltet.

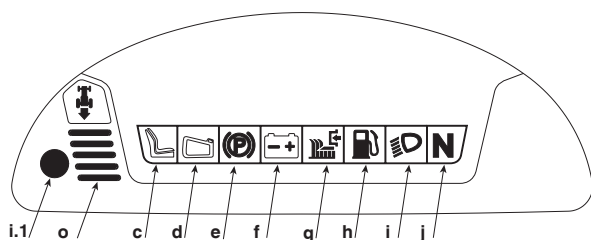


- «A» = Funktion eingeschaltet
- «B» = Funktion ausgeschaltet

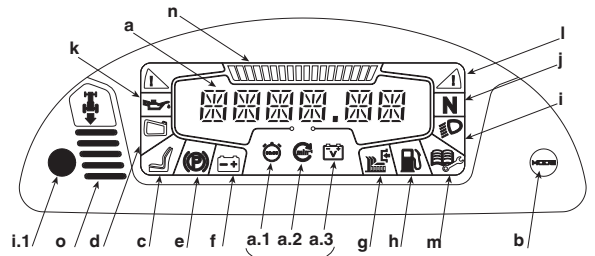
- - Der Hebel muss bei eingeschalteter Schneidvorrichtung betätigt werden.
- - Bei eingeschalteter «Mulching»-Funktion müssen die Schutzeinrichtungen an der Auswurföffnung (Grasfangeinrichtung oder Auswurfschutz) immer montiert sein (☛ 5.3.5).

4.13 KONTROLLAMPEN UND AKUSTISCHE SIGNALEINRICHTUNG AM ARMATURENBRETT

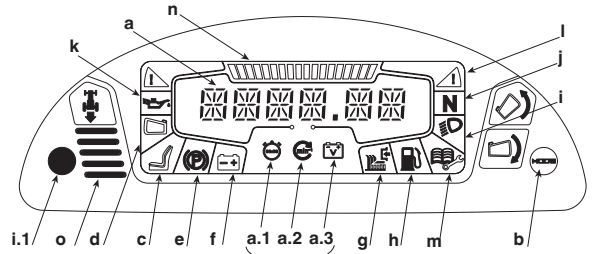
▶ HF2317...♦



▶ HF2417HB•/HM• HF2625HM•



▶ HF2417HT• HF2625HT•



Die Kontrolllampen schalten sich mit Zündschlüssel (4.4) in Pos. «EIN» ein, und bleiben für ca. eine Sekunde eingeschaltet (mit einem kurzen akustischen Signal) um den korrekten Betrieb anzuzeigen.

Das Display (a) tritt in den "Informations"modus ein und mittels der MODE-Taste (b) können die folgenden Funktionen ausgewählt werden:

- a.1) **Stundenzähler:** Die alphanumerischen Ziffern zeigen die ausgeführten Fahrstunden an, die in Stunden und Zehntelstunden unterteilt sind. Der Maßeinheit folgt der Buchstabe h;

▶ HF2625...♦




- a.2) **Drehzahlmesser:** gibt die Motordrehzahl durch numerische Werte an.
Anzeigewert
< 1600 Leerlaufdrehzahl
> 2600 Transportdrehzahl, Schneidedrehzahl
- a.3) **Voltmeter:** Die alphanumerischen Ziffern zeigen die Batteriespannung.

Kurz die MODE-Taste drücken und sie loslassen, um nacheinander die Symbole a.1, a.2, a.3 einzuschalten. Auf den alphanumerischen Ziffern des Displays werden die Daten angezeigt, die mit dem ausgewählten Symbol verbunden sind. Die letzte Ziffer ist der Maßeinheit vorbehalten.


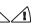
Nicht den Wert des Drehzahlmessers verwenden, um die Motorgeschwindigkeit einzustellen.

Danach zeigt das Einschalten einer Kontrolllampe Folgendes an:

- c) Benutzer abwesend;
- d) Grasfangeinrichtung fehlt.
 - Wenn sie blinkt, bedeutet dies, dass die Grasfangeinrichtung voll ist und dass sie ausgeleert werden muss.
- e) Feststellbremse angezogen;
- f) nicht ausreichende Batterieladung: die Ursachen im Kap. 7 des vorliegenden Handbuchs untersuchen.
 - Wenn sie blinkt, bedeutet dies, dass die Batterie gerade zur Überspannungsschwelle übergeht. Die Maschine sofort anhalten, die Batterie abklemmen und sich an das autorisierte Kundendienstzentrum wenden.

- g)  Schneidwerkzeuge eingeschaltet;
- h)  Kraftstoff auf Reserve: zeigt an, dass circa 1,5 Liter im Tank verblieben sind. Dies reicht für circa 30 - 40 Minuten Arbeit im Dauerbetrieb;
- i)  Scheinwerfer an;
- i.1) Der Sensor, der sich innerhalb des Armaturenbretts befindet, steuert das automatische Einschalten der Scheinwerfer nach einigen Sekunden Dunkelheit. Nach einigen Sekunden Helligkeit werden sie ausgeschaltet. Um ein unerwünschtes Einschalten zu vermeiden, muss der Sensorbereich sauber gehalten werden und es dürfen keine Lappen oder Gegenstände auf das Armaturenbrett gelegt werden.
Das Helligkeitsniveau der Scheinwerfer könnte einige Sekunden lang geringer werden, wenn die Spannung bei der Startphase abfällt.

⚠ ACHTUNG! *Den LED-Scheinwerfer nicht direkt ansehen. Er kann einen negativen Einfluss auf die Augen haben.*

- j) **N** Antrieb im „Leerlauf“;
- k)  Störungen bei der Motorschmierung an: Der Motor muss sofort ausgeschaltet, der Motorölstand (5.3.3) geprüft, und falls das Problem weiterhin besteht, muss der Fachhändler informiert werden.
- l)  Die Maschine hat eine zu große Neigung erreicht.

HINWEIS *Dieses Symbol hat reinen Informationscharakter und hilft dem Benutzer den Neigungswinkel der Maschine zu erkennen. Die Kontrolllampe könnte aufleuchten, wenn ruckartige Starts/Stopps oder plötzliche Lenkmanöver ausgeführt werden. Diese Aktionsweisen vermeiden.*


HINWEIS *Alle Bauteile korrekt zusammenbauen. Hierbei die im Handbuch beschriebenen Montageanweisungen befolgen. Andernfalls könnte die Neigungskontrolllampe nicht korrekt funktionieren.*

Die Startzeit des Symbols kann vom Bediengewicht, vom Gewicht der Grasfangeinrichtung sowie vom Reifendruck beeinflusst werden.

Es besteht die Möglichkeit, die Einschaltzeit der Kontrolllampe zu ändern, wenn ein optionales Zubehörteil montiert wird.

Die Kalibrierung des für die Kontrolllampenfunktion verwendeten Sensors muss bei Ihrem Fachhändler erfolgen, damit dieser korrekt funktioniert.

HINWEIS *Wenn die Kontrolllampen häufig in falschen Situationen aufleuchten, so wenden Sie sich an Ihren Fachhändler (zum Beispiel: das Symbol leuchtet auf, wenn die Maschine auf ebener oder leicht geneigter Fläche fährt, usw.).*

- m)  Wartung erforderlich.
Gleichzeitig mit dem Einschalten der Kontrolllampe erscheint auf dem Display die Stundeneingriffsschwelle in Form eines Codes:
- M20** = Wartungsintervall in 20 Stunden
 - M50** = Wartungsintervall in 50 Stunden
 - M100** = Wartungsintervall in 100 Stunden
 - M300** = Wartungsintervall in 300 Stunden

Die für jede Stundenschwelle zu befolgende Wartung sind beschrieben unter (☛ 6.2).

Der Wartungscode bleibt auf dem Display angezeigt, bis der Motor angeschaltet wird oder bis die Funktionen des Displays gewechselt werden. Die Wartungskontrolllampe bleibt dagegen unabhängig vom Motorstatus oder von den Displayfunktionen eingeschaltet.

Wenn gleichzeitig mehrere Stundeneingriffsschwellen erreicht werden, wechseln sich die entsprechenden Wartungs_codes auf dem Display alle 2 Sekunden in aufsteigender Reihenfolge ab.

Den Arbeitsschritt am Ende jeder Wartung zurückstellen. Andernfalls bleiben sowohl der Eingriffscode als auch das Symbol auf dem Display angezeigt und das Wartungsintervall kann nicht korrekt gezählt werden.

Um den Betrieb wiederherzustellen:


- Die "MODE"-Taste (4.13.b) mehr als 10 Sekunden lang gedrückt halten, wobei der Schlüssel auf der Position «EIN» und der Motor ausgeschaltet bleibt. Der Wartungscode und das Symbol werden erneut auf dem Display angezeigt, wenn die folgende Stundeneingriffsschwelle erreicht wird.

Wenn die Wartungsangaben wieder zurückgesetzt werden, bevor die Stundeneingriffsschwelle erreicht wird, so wird die Wartungszeit in jedem Fall beim ersten nützlichen Intervall angezeigt. In diesem Fall den Arbeitsschritt erneut zurücksetzen, wenn die Wartung bereits vorher erfolgt ist.

 **HF2417...**

- Falls die Wartungsangaben nicht sofort nach dem Anhalten des Motors zurückgesetzt werden können, warten bis die Batteriespannung unter 12,7 V fällt. Danach den Wartungscode überprüfen.

 **HF2625...**

- **n)**  Grafische Anzeige der Motordrehzahl: die in der Grafikska angezeigten Markierungen steigen parallel zu den Motordrehzahlen an.
Die grafische Anzeige und der Zahlenwert auf dem Display (a.2) ändern sich gleichzeitig.

o) Das akustische Signal kann sein:

- **Kontinuierlich** zeigt den Eingriff des Schutzes der Steuerkarte an. Den Schlüssel von der Pos. «STOPP» auf die Position «EIN» drehen.
- **Ton mit Unterbrechungen** Anzeige für volle Grasfangeinrichtung.

4.21 BREMSPEDAL

Dieses Pedal betätigt die Bremse der Hinterräder.

4.22 PEDAL FÜR DIE VORWÄRTSFAHRT

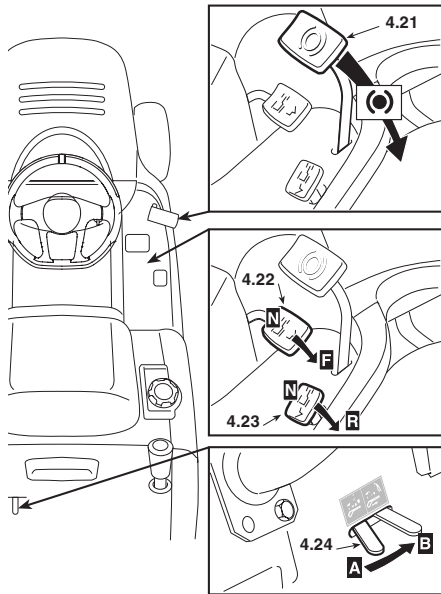
Mit diesem Pedal wird der Vorwärts-Antrieb der hinteren Räder zugeschaltet und die Geschwindigkeit der Maschine geregelt.

- Bei Zunahme des Drucks auf das Pedal nimmt die Maschinengeschwindigkeit fortlaufend zu.
- Lässt man das Pedal los, kehrt dieses automatisch in die Leerlaufposition «N» zurück.
- Der Zustand "Leerlauf" «N» wird durch das Leuchten der Kontrolllampe (4.13.j) angezeigt.

4.23 PEDAL FÜR DEN RÜCKWÄRTSGANG

Mit diesem Pedal wird der Rückwärts-Radantrieb zugeschaltet und die Geschwindigkeit der Maschine geregelt.

- Bei Zunahme des Drucks auf das Pedal nimmt die Maschinengeschwindigkeit fortlaufend zu.
- Lässt man das Pedal los, kehrt dieses automatisch in die Leerlaufposition «N» zurück.
- Der Zustand "Leerlauf" «N» wird durch das Leuchten der Kontrolllampe (4.13.j) angezeigt.



⚠ ACHTUNG! Das Einlegen des Rückwärtsganges muss im Stillstand erfolgen.

HINWEIS

Wenn eines der Antriebspedale mit betätigter Feststellbremse (4.5) ausgelöst wird, bleibt der Motor stehen.

4.24 HEBEL ZUM ENTRIEGELN DES HYDROSTATISCHEN ANTRIEBS

Dieser Hebel hat zwei Positionen, die durch ein Schild gekennzeichnet sind:

- «A» = Antrieb eingeschaltet: für alle Betriebszustände beim Fahren und während des Mähens;
- «B» = Antrieb entriegelt: vermindert wesentlich die erforderliche Kraft, um die Maschine, **bei ausgeschaltetem Motor**, von Hand zu schieben.

5. GEBRAUCHSANLEITUNG

5.1 EMPFEHLUNGEN FÜR DIE SICHERHEIT

⚠ GEFAHR! Benutzen Sie die Maschine ausschließlich für die Zwecke, für die sie bestimmt ist (Mähen und Sammeln von Gras).

Jede andere Verwendung wird als „unzweckmäßige Verwendung“ der Maschine angesehen und hat den Verfall der Garantie und die Ablehnung jeder Verantwortung seitens des Herstellers zur Folge. Dem Benutzer selbst dadurch entstandene oder Dritten zugefügte Schäden oder Verletzungen gehen zu Lasten des Benutzers.

Als nicht bestimmungsgemäße Verwendung gelten (beispielhaft):

- Transport von anderen Personen, Kindern oder Tieren auf der Maschine oder einem Anhänger;
- Ziehen oder Schieben von Lasten ohne Verwendung des entsprechenden, für den Zugbetrieb vorgesehenen Zubehörs.
- Die Maschine zum Befahren von instabilem, rutschigem, vereistem, steinigem oder lockerem Untergrund, Pfützen oder stehendem Wasser, die eine Beurteilung der Bodenbeschaffenheit nicht möglich machen, benutzen;
- Die Maschine für das Sammeln von Laub oder Abfall verwenden;
- Das Schneidwerkzeug in graslosen Bereichen betätigen.

⚠ GEFAHR! Die Sicherheitseinrichtungen, mit denen die

Maschine ausgestattet ist, dürfen nicht verändert oder entfernt werden. SEIEN SIE SICH STETS BEWUSST, DASS DER BENUTZER IMMER FÜR DRITTEN ZUGEFÜGTE SCHÄDEN VERANTWORTLICH IST.

Ehe die Maschine benutzt wird:

- Die allgemeinen Sicherheitsvorschriften lesen (1.1), , hierbei mit besonderer Aufmerksamkeit die über das Fahren und Mähen am Hang;
- die Gebrauchsanweisungen aufmerksam lesen, sich mit den Bedienungseinrichtungen vertraut machen und damit, wie man Schneidwerkzeuge und Motor schnell ausschaltet.
- Sich nicht mit Händen oder Füßen den rotierenden Teilen von der Seite oder von unten nähern und sich immer von der Auswurföffnung fernhalten.

Die Maschine nicht benutzen, wenn man sich in schlechtem gesundheitlichem Zustand befindet oder unter dem Einfluss von Arzneimitteln oder anderen Substanzen steht, welche die Reflexe oder die Konzentration vermindern können.

Es gehört zum Verantwortungsbereich des Benutzers, potentielle Risiken des Geländes, auf dem gearbeitet wird, einzuschätzen. Außerdem muss er alle erforderlichen Vorsichtsmaßnahmen für seine eigene Sicherheit und die der andern ergreifen, insbesondere an Hängen, auf unebenem, rutschigem oder nicht festem Gelände.

Die Maschine nicht mit laufendem Motor im hohen Gras stehen lassen, um Brandgefahr zu vermeiden.

⚠ ACHTUNG! Diese Maschine darf nicht an Hängen mit einer Steigung eingesetzt werden, die größer ist als 10° (17%) (5.5).

WICHTIG

Alle Hinweise, die sich auf die Positionen der Bedienungseinrichtungen beziehen, sind in Kapitel 4 dargestellt.

5.2 KRITERIEN FÜR DAS AUSLÖSEN DER SICHERHEITSEINRICHTUNGEN

Die Sicherheitseinrichtungen lösen nach zwei Kriterien aus:

- Das Anlassen des Motors verhindern, wenn nicht alle Voraussetzungen für die Sicherheit gegeben sind.
- Den Motor ausschalten, wenn auch nur eine der Sicherheitsbedingungen ausfällt.

Um den Motor anzulassen, muss/müssen in jedem Fall:

- die Gangschaltung im „Leerlauf“ stehen;
- die Schneidwerkzeuge ausgeschaltet sein;
- der Benutzer sitzen.

Der Motor wird ausgeschaltet, wenn:

- Der Benutzer den Sitz verlässt;
- bei eingeschalteten Schneidwerkzeugen die Grasfangeinrichtung angehoben oder der Auswurfschutz abgenommen wird;
- der Rückwärtsgang bei eingeschalteten Schneidwerkzeugen eingelegt wird. Dies kann ausgeschlossen werden, indem man die Taste 4.7 gedrückt hält.
- Der Vorwärtsgang wird mit betätigter Feststellbremse eingelegt.

Die folgende Tabelle gibt einige Betriebssituationen mit den **wesentlichen** Gründen für das Auslösen wieder.

BEDIENER	GRASFANGEINRICHTUNG	SCHNEIDWERKZEUGEN	GETRIEBE	BREMSE	MOTOR
A) TAFEL EINGEFÜHRT (Schlüssel auf Position «EIN»)					
Sitzt	JA	Ausgeschaltet	«N»	Angezogen	Stillstehend
Sitzt	NEIN	Ausgeschaltet	«N»	Nicht angezogen	Stillstehend
B) ANLASSEN (Zündschlüssel in Position «STARTEN»)					
Sitzt	-/-	Ausgeschaltet	E/R	Angezogen	läuft NICHT an
Sitzt	-/-	Eingeschaltet	«N»	Angezogen	läuft NICHT an
Abwesend	-/-	Ausgeschaltet	«N»	Nicht angezogen	läuft NICHT an
C) WÄHREND DER FAHRT (Zündschlüssel in Pos. «EIN»)					
Sitzt	JA	Ausgeschaltet	E/R	Angezogen	Schaltet aus
Abwesend	JA	Ausgeschaltet	«N»	Nicht angezogen	Schaltet aus
D) BEIM MÄHEN (Zündschlüssel in Position «EIN»)					
Sitzt	NEIN	Eingeschaltet	-/-	Nicht angezogen	Schaltet aus
Sitzt	JA	Eingeschaltet	R	Nicht angezogen	Schaltet aus*
Abwesend	JA	Ausgeschaltet	«N»	Nicht angezogen	Schaltet aus
Abwesend	JA	Eingeschaltet	-/-	Angezogen	Schaltet aus

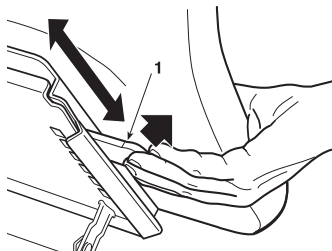
* Dies kann ausgeschlossen werden, indem man die Taste 4.7 gedrückt hält.

5.3 VORBEREITUNGEN VOR ARBEITSBEGINN

Vor dem Beginn der Arbeit muss man eine Reihe von Kontrollen und Arbeiten durchführen, um sicherzustellen, dass die besten Ergebnisse erzielt und maximale Sicherheit erreicht wird.

5.3.1 Einstellung des Sitzes

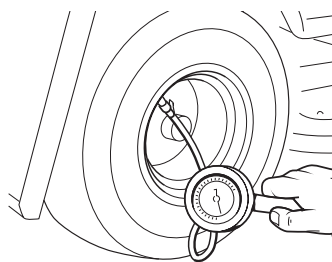
Der Sitz ist auf einer Schiene verstellbar und kann in sechs Stellungen eingestellt werden.



Die Einstellung erfolgt durch Anheben des Handgriffs (1) und Verschieben des Sitzes mit Blockierung in der gewünschten Stellung.

5.3.2 Reifendruck

Die Schutzkappen ausschrauben und die Ventile mit einem Druckluftanschluss verbinden, der mit einem Druckmesser versehen ist.



Der korrekte Reifendruck ist eine wesentliche Voraussetzung für die perfekte Ausrichtung der Schneidwerkzeugbaugruppe und folglich, um einen gleichmäßig gemähten Rasen zu bekommen.

Die Drücke müssen wie folgt sein:

VORNE	1,5 bar (13 x 5,00-6)
	1,0 bar (15 x 6,00-6)
HINTEN	1,2 bar

5.3.3 Tanken und Öl einfüllen

WICHTIG

Öl des Typs SAE 10W30 und bleifreies Benzin (grün) Euro 95 verwenden.

WICHTIG

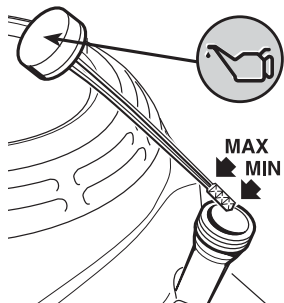
Den Motor mit einer ungenügenden Ölmenge drehen zu lassen, kann ihn schwer beschädigen. Der Einsatz eines nicht reinigenden Öles oder für Zweitaktmotoren kann die Haltbarkeit des Motors verringern.

Auf einer ebenen Fläche und mit stillstehendem Motor, den Deckel mit dem Ölmesstab entfernen und Letzteren abtrocknen. Ihn vollständig einführen ohne ihn festzuschrauben und dann herausziehen, um den Ölstand zu überprüfen. Wenn der Ölstand nahe am oder unterhalb des unteren Grenzwertes (MIN) des Stabes ist, mit dem empfohlenen Öl nachfüllen, bis der obere Grenzwert (MAX) erreicht ist. Den Deckel mit dem Ölmesstab erneut zuschrauben.

Den Kraftstoff mithilfe eines Trichters nachfüllen.

Vermeiden, den Tank vollständig aufzufüllen. Das maximale Niveau ist auf dem Tankhals angegeben.

Der Tankinhalt ist im Kapitel 10 angegeben.



WICHTIG

Die Schäden an der Versorgungsanlage oder Leistungsprobleme des Motors aufgrund Nachlässigkeit beim Unterstellen der Maschine sind nicht durch die Garantie gedeckt.

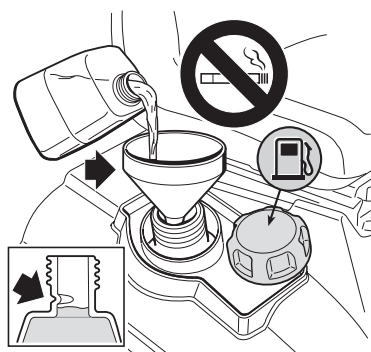
HINWEIS

Falls Benzin auf die Karosserie geschüttet werden sollte, sofort jegliche Spur davon reinigen.

GEFAHR!

Das Tanken muss bei abgestelltem Motor im Freien und an einem gut belüfteten Ort erfolgen. Man muss

sich stets bewusst sein, dass Benzindämpfe brennbar sind! KEINE FLAMMEN IN DIE NÄHE DER TANKÖFFNUNG BRINGEN, UM DEN TANKINHALT ZU PRÜFEN, UND WÄHREND DES TANKENS NICHT RAUCHEN.



• Benzin, das Alkohol enthält

WICHTIG

Wenn Benzin eingesetzt wird, das Alkohol enthält, sicherstellen, dass die Oktanzahl zumindest gleich als der vom Honda empfohlene Index (Oktanindex 86) ist. Es gibt zwei Arten von Benzin-/Alkoholgemisch: eine enthält Ethanol und die andere Methanol.

Kraftstoffspezifikationen, die für die Leistungserhaltung des Emissionsregelungssystems notwendig sind: Kraftstoff E10, der in der EU-Richtlinie erwähnt wird.

Nie Benzin-/Alkoholgemische verwenden, die mehr als 10 % Ethanol enthalten. Nie Benzin mit einem Methanolniveau (Methylalkohol oder Holzalkohol) mit mehr als 5 % und ohne Lösungsmittel oder Korrosionsinhibitoren für Methanol verwenden.

WICHTIG

- Die am Kraftstoffversorgungssystem verursachten Schäden oder die Leistungsprobleme des Motors, die sich durch den Einsatz von Benzin ergeben, das ein höheres als das empfohlene Alkoholniveau bietet, werden nicht von der Garantie abgedeckt.
- Bevor Sie bei einer nicht sehr bekannten Tankstelle tanken, informieren Sie sich, ob das Benzin Alkohol enthält. Falls dem so sein sollte, fragen Sie nach dem verwendeten Alkoholtyp und dessen Prozentsatz.

Wenn während der Verwendung eines spezifischen Benzins unerwünschte Funktionssymptome auftreten, kehren Sie zu einem Benzin zurück, dessen Alkoholgehalt sicherlich geringer ist als die empfohlene Alkoholmenge.

5.3.4 Kontrolle des Bremssystems

Sich vergewissern, dass die Bremsleistung der Maschine den Einsatzbedingungen entspricht. Falls Zweifel an der Leistungsfähigkeit der Bremsen bestehen, die Arbeit nicht beginnen. Erforderlichenfalls die Bremse einstellen (☛ 6.3.4) Falls die Zweifel über die Leistungsfähigkeit weiter bestehen, muss man den Fachhändler aufsuchen.

5.3.5 Montage der Schutzeinrichtungen an der Auswurföffnung (Grasfangeinrichtung oder Auswurfschutz)

ACHTUNG!

Niemals die Maschine ohne eingebauten Auswurfschutz verwenden!

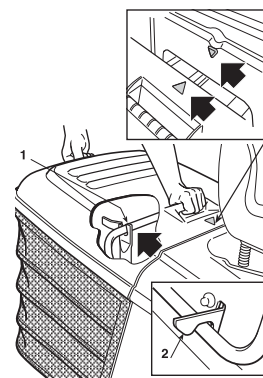
HF2...HT

- Die Montage der Schutzvorrichtungen muss mit abgesenkten Kippebeln erfolgen.

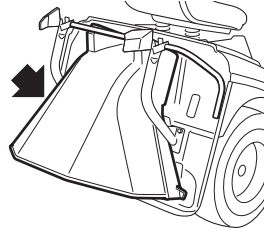
Die Grasfangeinrichtung einhängen, indem man das obere Rohr des Rahmens in die Ösen der beiden Halterungen (1) einführt.

Um die Grasfangeinrichtung korrekt zu zentrieren, die beiden Symbole auf der Grasfangeinrichtung und auf der hinteren Platte ausrichten.

Sich vergewissern, dass sich das untere Rohr der Öffnung der Grasfangeinrichtung in den da-



für bestimmten Haken der Feststellvorrichtung (2) einhakt. Falls das Einhängen schwierig oder zu locker ist, die Rückholfeder einstellen (☛ 6.3.6).



Falls man ohne Grasfangeinrichtung arbeiten will, steht auf Wunsch ein Auswurfschutz-Kit (☛ 8.2) zur Verfügung, der an der hinteren Platte zu befestigen ist, wie in den entsprechenden Anweisungen angegeben.

5.3.6 Kontrolle der Sicherheit und Funktionsfähigkeit der Maschine

1. Prüfen, dass die Sicherheitseinrichtungen wie angegeben ansprechen (☛ 5.2).
2. Sicherstellen, dass die Bremse korrekt funktioniert.
3. Nicht mit dem Mähen beginnen, falls die Schneidwerkzeuge vibrieren oder Zweifel am Messerschleiff bestehen. Bedenken Sie immer:
 - Ein schlecht geschärftes Schneidwerkzeug reißt das Gras aus und verursacht ein Vergilben des Rasens.
 - Ein lockeres Schneidwerkzeug verursacht anomale Vibrationen und kann Gefahren hervorrufen.

⚠ ACHTUNG! Die Maschine nicht verwenden, wenn Sie Zweifel an deren Funktionsfähigkeit und Sicherheit haben. Setzen Sie sich sofort mit Ihrem Händler für die erforderlichen Kontrollen oder Reparaturen in Verbindung.

5.4 GEBRAUCH DER MASCHINE

5.4.1 Anlassen

⚠ GEFAHR! Das Anlassen muss im Freien oder an einem gut belüfteten Ort erfolgen. MAN MUSS SICH IMMER BEWUSST SEIN, DASS DIE ABGASE DES MOTORS GIFTIG SIND!

Um den Motor anzulassen

- den Schalthebel in die Leerlaufstellung («N») (☛ 4.22) bringen;
- die Schneidwerkzeuge ausschalten (☛ 4.8);
- an Hängen die Feststellbremse anziehen;
- Beim Kaltstart: Die Choke-Steuerung einsetzen (☛ 4.2);
- bei bereits warmem Motor genügt es, den Hebel zwischen «LANGSAM» und «SCHNELL» zu stellen;
- den Zündschlüssel in das Zündschloss stecken, in die Stellung «EIN» drehen, um den Stromkreis einzuschalten und schließlich in die Stellung «STARTEN» bringen, um den Motor anzulassen;
- den Zündschlüssel nach dem Anspringen des Motors loslassen.

Wenn der Motor läuft, den Gashebel in die Stellung «LANGSAM» bringen.

WICHTIG Die Choke-Steuerung muss ausgeschaltet werden, sobald sich der Motor normal dreht. Seine Betätigung bei bereits warmem Motor kann die Zündkerze verschmutzen und den unregelmäßigen Lauf des Motors zur Folge haben.

HINWEIS Falls beim Anlassen Schwierigkeiten auftreten sollten, den Anlasser nicht zu lange betätigen, um zu vermeiden, dass sich die Batterie entlädt und der Motor absäuft. Den Zündschlüssel in die Stellung «STOPP» zurückstellen, einige Sekunden warten und dann den Vorgang wiederholen. Falls die Störung andauern sollte, verweisen wir auf Kapitel «8» des vorliegenden Handbuchs und auf die Gebrauchsanweisung des Motors.

WICHTIG Immer beachten, dass die Sicherheitseinrichtungen ein Anlassen des Motors verhindern, falls die Sicherheitsbedingungen nicht eingehalten werden (☛ 5.2). In diesen Fällen muss man, nachdem die Voraussetzungen für das Anlassen ge-

schaffen worden sind, den Zündschlüssel in die Stellung «STOPP» zurückstellen, ehe man den Motor erneut anlässt.

5.4.2 Fahren der Maschine

⚠ ACHTUNG! Diese Maschine ist zum Fahren auf öffentlichen Straßen nicht zugelassen. Ihr Einsatz (im Sinne der Straßenverkehrsordnung) darf ausschließlich auf privatem Gelände erfolgen, das dem öffentlichen Verkehr nicht zugänglich ist.

Während des Fahrens:

- Die Schneidwerkzeuge ausschalten;
- die Schneidwerkzeugbaugruppe in die oberste Stellung bringen (Position «7»).

Den Gashebel in eine Stellung zwischen «LANGSAM» und «SCHNELL» bringen.

Die Feststellbremse lösen und das Bremspedal loslassen (☛ 4.21).

Den Hebel zur Regulierung der Geschwindigkeit (☛ 4.22) nach vorne verstellen und durch zweckmäßige Betätigung des Schalthebels und des Beschleunigers die gewünschte Geschwindigkeit erreichen.

⚠ ACHTUNG! Die Betätigung des Pedals muss stufenweise erfolgen (4.22), um zu vermeiden, dass ein zu bruskes Einlegen des Antriebs auf die Räder ein Aufbäumen und den Verlust der Kontrolle über das Fahrzeug verursacht. Dies gilt insbesondere an Hängen.

5.4.3 Bremsen

Zuerst durch Verminderung der Motordrehzahl die Geschwindigkeit der Maschine verlangsamen, dann das Bremspedal (☛ 4.21) drücken, um die Geschwindigkeit weiter zu verlangsamen, bis die Maschine anhält.

HINWEIS Bereits beim Loslassen des Antriebspedals im Vorwärts- oder Rückwärtsgang erzielt man eine spürbare Verlangsamung der Maschine.

5.4.4 Rückwärtsgang

Der Rückwärtsgang MUSS bei stehender Maschine eingelegt werden.

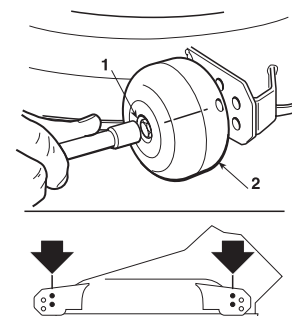
Um nach dem Anhalten der Maschine den Rückwärtsgang einzulegen, den Hebel zur Regulierung der Geschwindigkeit in Richtung Position «R» bringen (☛ 4.23).

5.4.5 Gras mähen

Wenn man den zu schneidenden Rasen erreicht hat, sicherstellen, dass die Grasfangeinrichtung oder der Auswurfschutz korrekt montiert sind.



- Die Funktion der Schnitenschutz-Rädchen ist es, immer einen Zwischenraum zwischen Boden und Rand der Schneidwerkzeugbaugruppe beizubehalten, um zu vermeiden, dass letztere den Rasen im Fall von unebenen Böden beschädigen kann.
- Jedes Schnitenschutz-Rädchen der Schneidwerkzeugbaugruppe kann in zwei verschiedenen Höhen montiert werden: In der unteren Position erfüllt es seine Funktion der Raumschaffung; in der oberen Position wird seine Wirkung ausgeschlossen.
- Um die Stellung zu ändern, den



- Stift (1) ausschrauben, herausziehen und das Rädchen (2) in die obere oder untere Bohrung der in der Abbildung angegebenen Reihe wieder einsetzen.

⚠ ACHTUNG! *Dieser Arbeitsgang ist immer BEI AUSGESCHALTETEM MOTOR UND AUSGESCHALTETEN SCHNEIDWERKZEUGEN an den vier Rädchen auszuführen.*

Um mit dem Mähen zu beginnen:

- Den Gashebel in die Stellung «SCHNELL» bringen;
- die Schneidwerkzeugbaugruppe in die oberste Stellung bringen;
- die Schneidwerkzeuge einschalten (☛ 4.8);
- die Vorwärtsfahrt auf dem mit Gras bewachsenen Bereich allmählich und vorsichtig beginnen, wie zuvor bereits beschrieben;
- die Fahrgeschwindigkeit und die Schnitthöhe (☛ 4.6) entsprechend des Zustands des Rasens (Höhe, Dichte und Feuchtigkeit des Grasses) einstellen. Für ebene Böden können die folgenden Faustregeln gelten:

Hohes und dichtes Gras - feuchter Rasen	2,5 km/h
Durchschnittliche Bedingungen	4 ... 6 km/h
Niedriges Gras - trockener Rasen	über 6 km/h

Die Anpassung der Geschwindigkeit erzielt man durch stufenweise und progressive Veränderung des auf das Antriebspedal ausgeübten Drucks.

⚠ ACHTUNG! *Beim Mähen an Hängen muss man die Fahrgeschwindigkeit vermindern, um die Voraussetzungen für die Sicherheit zu erfüllen (☛ 1.2 - 5.5).*

In jedem Fall muss man die Geschwindigkeit jedes Mal dann vermindern, wenn man ein Abfallen der Motordrehzahl feststellt. Man muss sich bewusst sein, dass man niemals einen guten Schnitt des Rasens erzielt, wenn die Fahrgeschwindigkeit in Bezug auf die Menge des zu mähenden Grasses zu hoch ist.

Jedes Mal, wenn ein Hindernis überwunden werden soll, die Schneidwerkzeuge ausschalten und die Schneidwerkzeugbaugruppe in die oberste Stellung bringen.

5.4.6 Entleeren der Grasfangeinrichtung

Die Grasfangeinrichtung nicht zu voll werden lassen, um zu vermeiden, dass der Auslassförderer verstopft wird.

Ein intermittierendes akustisches Signal und das Blinken der Kontrolllampe (4.13.d) zeigen an, dass die Grasfangeinrichtung gefüllt ist. An dieser Stelle:

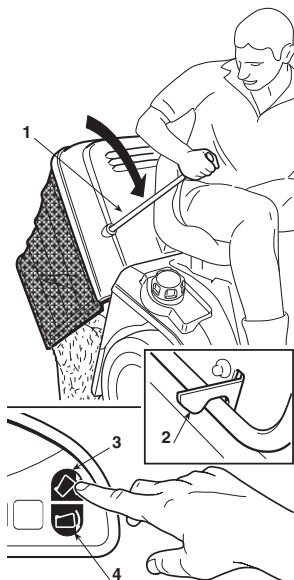
- Die Motordrehzahl vermindern;
- in die Leerlaufstellung (N) (☛ 4.22 oder 4.32) stellen und anhalten;
- an Hängen die Feststellbremse anziehen;
- die Schneidwerkzeuge ausschalten (☛ 4.8), dann bricht das Signal ab.

▶ **HF2...HB• HF2...HM•**

HINWEIS

Die Entleerung der Grasfangeinrichtung darf nur bei ausgeschalteten Schneidwerkzeugen durchgeführt werden, andernfalls würde der Motor abschalten.

- Den Hebel (1) (☛ 4.11.1) herausziehen und die Grasfangeinrichtung zum Entleeren kippen;
- die Grasfangeinrichtung wieder so schließen, dass sie im Haken der Feststellvorrichtung (2)



eingehakt bleibt und den Hebel (1) einsetzen.

▶ **HF2...HT•**

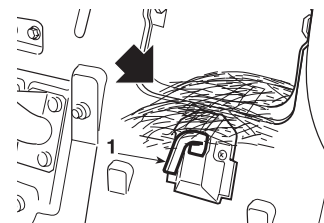
HINWEIS

Die Kippsteuerung der Grasfangeinrichtung wirkt nur bei ausgeschalteten Schneidwerkzeugen.

- Bei sitzendem Bediener die Taste (3) (☛ 4.11.2) gedrückt halten, bis die Grasfangeinrichtung ganz gekippt ist;
- nach dem Entleeren, die Taste (4) (☛ 4.11.3) weiter gedrückt halten, bis die Grasfangeinrichtung ganz abgesenkt ist und dabei sicherstellen, dass sie am Haken der Feststellvorrichtung (2) eingehängt bleibt.

HINWEIS

Es kann vorkommen, dass nach dem Entleeren der Grasfangeinrichtung das akustische Signal beim Einschalten des Schneidwerkzeugs wieder ertönt, weil auf dem Taster (1) des Mikroschalters für das Signal Grasreste verblieben sind. In diesem Fall genügt es, die Schneidwerkzeugen auszuschalten und gleich wieder einzuschalten, damit das Signal aufhört. Wenn das akustische Signal weiter ertönt, den Motor abstellen, die Grasfangeinrichtung abnehmen und eventuelle Grasanhäufungen vom Taster (1) entfernen.



5.4.7 Entleeren des Auswurfkanals

Das Mähen von sehr hohem oder nassem Gras kann in Verbindung mit einem zu schnellen Vorschub ein Verstopfen des Auswurfkanals verursachen. In diesem Fall muss man:

- Die Maschine anhalten, die Schneidwerkzeuge ausschalten und den Motor abstellen;
- die Grasfangeinrichtung oder den Auswurfschutz abnehmen;
- das angesammelte Gras von der Austrittsöffnung des Auswurfkanals aus entfernen.

⚠ ACHTUNG!

Diese Arbeit muss immer bei abgestelltem Motor erfolgen.

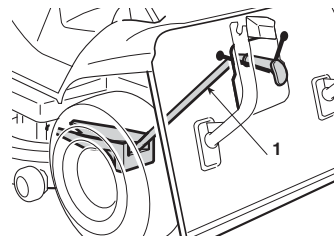
5.4.8 „Mulching“-Funktion

Mit der "Mulching"-Funktion wird das Gras im Inneren der Schneidwerkzeugbaugruppe recycelt und gleichzeitig fein zerkleinert, um es dann gleichmäßig auf dem Rasen zu verteilen.

Wenn das geschnittene Gras um die Schneidwerkzeugbaugruppe herum ausgeworfen oder während des Mulchens angehäuft wird, kann es sein, dass das Gras zu lang oder das Schnittmaß zu groß ist. Das Schnittmaß für das Mulchen muss auf ca. 1/3 der Grashöhe (höchstens 10-13 cm vor dem Mulchen) eingestellt werden.

▶ **HF2317... HF2417HB•**

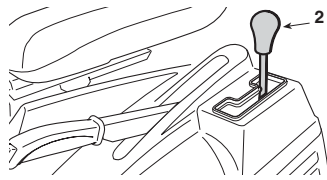
- Dieses Zubehör (auf Anfrage erhältlich) muss so montiert werden, wie in den entsprechenden Anleitungen angegeben.



▶ **HF2417HM• HF2417HT• HF2625H•**

- Die Maschine ist mit einem Mechanismus ausgerüstet, der ermöglicht, von der Grasfang-Funktion zur Mulching-Funktion überzugehen. Es ist wichtig, die Einsatzbedingungen der zwei Funktionen gut zu verstehen, bevor sie angewendet werden.

- Die «Mulching»-Funktion wird über den speziellen Hebel (2) ein- oder ausgeschaltet (4.12).



- Den Hebel der Mulching-Funktion auslösen, wenn die Grasfangeinrichtung von der Maschine entfernt wurde, um sicherzustellen, dass sie frei funktioniert und nicht durch das Gras verstopft wird, das ihr Funktionieren beeinträchtigen würde.
- Wenn sich Gras vor der Klappe befindet, muss dieses mit einem Stock oder einem ähnlichen Werkzeug entfernt werden.

WICHTIG

Wenn man, bei nicht korrekt eingestelltem Kabel oder Grasablagerungen, übermäßig Kraft auf den Hebel ausübt, kann dies zum Bruch des Kabels oder zur Verformung der Halterung aufgrund der zu hohen Belastung führen. Falls Sie eine übermäßige Belastung des Hebels feststellen, üben Sie keine Kraft auf diesen aus, sondern wenden Sie sich an Ihren Händler.

Nach dem Schnitt

Nachdem der tägliche Schneideinsatz beendet ist, sollte man das Schneidwerkzeug, den Auswurfkanal und den Grassack reinigen, um Störungen zu vermeiden und beim nächsten Einsatz der Maschine einen problemlosen Betrieb zu gewährleisten.

Den Motor anhalten, den Schlüssel abziehen, die Feststellbremse betätigen und die Grasfangeinrichtung abnehmen.

Sicherstellen, dass der Auswurfkanal nicht durch Gras verstopft ist, indem man ihn durch die Austrittsöffnung kontrolliert (falls er verstopft ist, das Gras entfernen).

5.4.9 Beendigung des Mähens

Nach dem Mähen die Schneidwerkzeuge ausschalten, die Motordrehzahl vermindern und die Rückfahrt mit der Schneidwerkzeugbaugruppe in der höchstmöglichen Stellung zurücklegen.

5.4.10 Arbeitsende

Die Maschine abstellen, den Gashebel in die Position «LANGSAM» stellen und den Motor durch Drehen des Zündschlüssels in die Stellung «STOPP» ausschalten.

Dieser Arbeitsschritt löst eine automatische Schließung des Kraftstoffventils aus.

ACHTUNG! Stets den Zündschlüssel abziehen, ehe die Maschine unbewacht abgestellt wird!

5.4.11 Reinigung und Einlagerung

Die Maschine an einem trockenen, vor Witterungseinflüssen geschützten Ort abstellen und, wenn möglich, mit einer Plane abdecken. Nach jedem Gebrauch die Maschine außen reinigen, die Grasfangeinrichtung leeren und ausschütteln, um sie von Gras- und Erdresten zu befreien.

Den Motorraum und die Schneidwerkzeugbaugruppe auf das Vorhandensein von Grasanhäufungen untersuchen und diese – soweit vorhanden – entfernen, um derart die optimale Leistung der Maschine zu bewahren.

ACHTUNG! Die Grasfangeinrichtung immer leeren und keine Behälter mit gemähtem Gras in einem geschlossenen Raum aufbewahren.

Die Kunststoffteile der Karosserie mit einem mit Wasser und Reinigungsmittel getränkten Schwamm abreiben. Dabei ist darauf zu achten, dass der Motor, die Bauteile der elektrischen Anlage und die elektronische Steuerkarte unter dem Armaturenbrett nicht feucht werden.

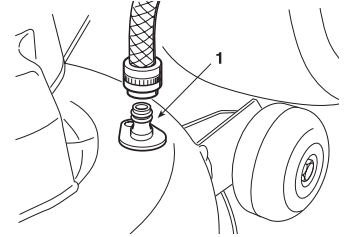
WICHTIG

Keine Druckdüsen oder aggressive Flüssigkeiten zum Waschen der Karosserie und des Motors benutzen.

Das Auswaschen der Schneidwerkzeugbaugruppe und des Auswurfkanals muss auf festem Boden durchgeführt werden, mit:

- Montierter Grasfangeinrichtung oder Auswurfschutz;
- sitzendem Benutzer;
- laufendem Motor;
- auf Leerlauf gestellte Schaltung;
- betätigter Feststellbremse;
- eingeschalteten Schneidwerkzeugen.

Einen Wasserschlauch an die dafür bestimmten Anschlüsse (1) anschließen. Man lässt an jedem Anschluss einige Minuten lang bei sich drehenden Schneidwerkzeugen Wasser durchfließen.



Während des Waschens sollte die Schneidwerkzeugbaugruppe ganz abgesenkt sein. Dann die Grasfangeinrichtung abnehmen, leeren, auswaschen und so abstellen, dass sie schnell trocknen kann.

WICHTIG

Um den einwandfreien Betrieb der Magnetkupplung nicht zu beeinträchtigen:

- verhindern, dass die Kupplung mit Öl in Berührung kommt;
- kein Wasser mit hohem Druck direkt auf die Kupplungsgruppe richten;
- die Kupplung nicht mit Benzin reinigen.

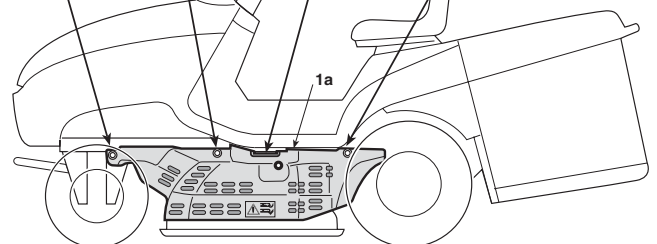
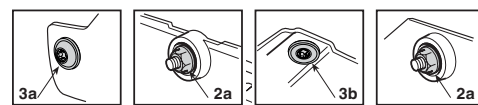
5.4.12 Entfernen der Schutzabdeckung des Riemens und Reinigung der Schneidwerkzeugbaugruppe

ACHTUNG! Um eine optimale Wirkungsweise und Sicherheit der Maschine zu gewährleisten, dürfen sich auf der Oberseite der Schneidwerkzeugbaugruppe kein Schmutz oder trockenes Gras ansammeln. Die Reinigung muss 2-3 Mal im Jahr ausgeführt werden und bevor man die Maschine über längere Zeit nicht benutzt (beispielsweise, aber nicht nur, zum Ende der Saison).

ACHTUNG! Auf Ihrer Maschine sind zwei Schutzabdeckungen der Antriebsriemen montiert (eine rechts und eine links), um ungewollte Kontakte während des Gebrauchs zu vermeiden.

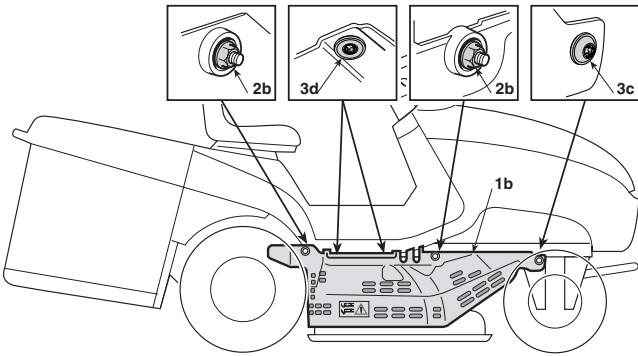
HF2317

- Die linke Schutzabdeckung (1a) ist befestigt mit:
 - zwei Muttern (2a), die mit einem 10 mm Schlüssel abgeschraubt werden können;
 - einer vorderen Schraube (3a) und einer mittleren Schraube (3b), die mit einem Torx-Schlüssel T30 abgeschraubt werden können.



- Die rechte Schutzabdeckung (1b) ist befestigt mit:
 - zwei Muttern (2b), die mit einem 10 mm Schlüssel abgeschraubt werden können.

- werden können;
- einer vorderen Schraube (3c) und zwei mittleren Schrauben (3d), die mit einem Torx-Schlüssel T30 abgeschraubt werden können.

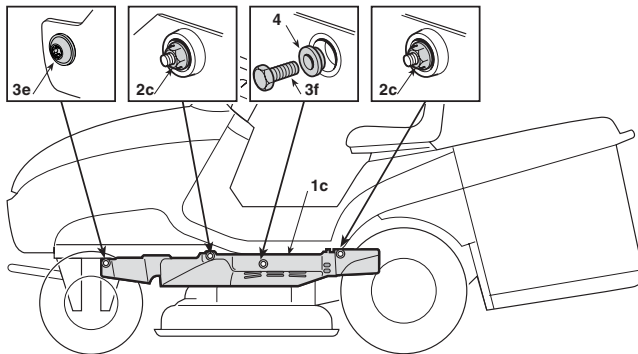


HINWEIS Wenn man die linke Schutzabdeckung (1a) abnimmt, darauf achten, die Leitungen nicht von dem Anschluss zum Auswaschen der Schneidwerkzeugbaugruppe abzutrennen.

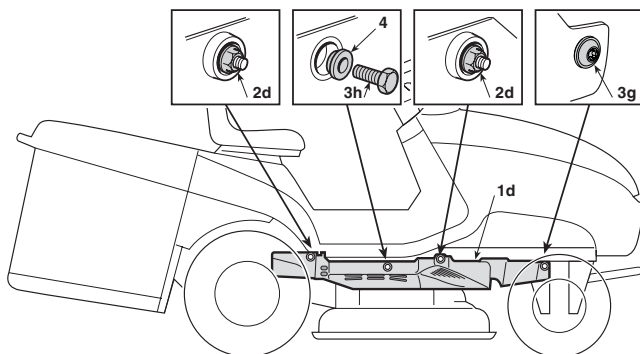
Wenn man die Schutzabdeckungen links und rechts wieder montiert, zuerst die Muttern (2a) und (2b) und daraufhin alle Schrauben anbringen.

HF24♦♦♦♦ HF26♦♦♦♦

- Die linke Schutzabdeckung (1c) ist befestigt mit:
- zwei Muttern (2c), die mit einem 10 mm Schlüssel abgeschraubt werden können;
- einer vorderen Schraube (3e), die mit einem Torx-Schlüssel T30 abgeschraubt werden kann;
- einer mittleren Schraube (3f) mit einem Distanzstück (4), die mit einem 10 mm Schlüssel abgeschraubt werden kann.



- Der rechte Schutz (1d) ist befestigt mit:
- zwei Muttern (2d), die mit einem 10 mm Schlüssel abgeschraubt werden können;
- einer vorderen Schraube (3g), die mit einem Torx-Schlüssel T30 abgeschraubt werden kann;
- einer mittleren Schraube (3h) mit einem Distanzstück (4), die mit einem 10 mm Schlüssel abgeschraubt werden kann.



- Bei der Montage der Schutzabdeckungen links und rechts darauf achten, die Distanzstücke (4) wieder korrekt unter den Schrauben (3f) und (3h) einzufügen.

Um jede Schutzabdeckung zu entfernen und die Schneidwerkzeugbaugruppe zu reinigen muss man:

- die Schneidwerkzeugbaugruppe in Position «1» stellen (vollständig abgesenkt);
- mit den passenden Schlüsseln alle Muttern und Schrauben, sowohl rechts als auch links abschrauben und die zwei Schutzabdeckungen links und rechts abnehmen;
- mit einem Druckluftstrahl Schmutz und Grasreste von der Oberseite der Schneidwerkzeugbaugruppe entfernen.

ACHTUNG! Die Maschine darf nur verwendet werden, wenn beide Schutzabdeckungen korrekt montiert sind. Die Schutzabdeckungen immer ersetzen, falls sie beschädigt sind.

5.4.13 Einlagerung für längere Zeit

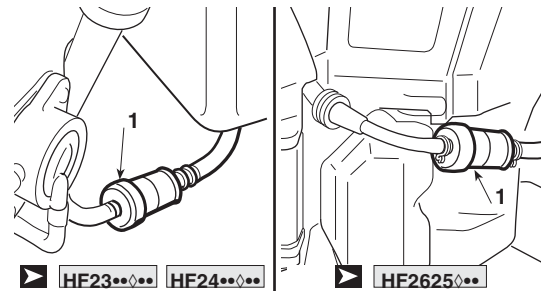
Wenn man eine längere Zeit der Stilllegung vorsieht (mehr als 1 Monat), muss man das Massekabel der Batterie (schwarz) abtrennen. Außerdem alle Gelenke nach den jeweiligen Angaben schmieren (6.2.1).

ACHTUNG! Ablagerungen von trockenem Gras, die sich in der Nähe des Motors und des Auspuffs ansammeln können, sorgfältig beseitigen, um zu vermeiden, dass bei der Wiederaufnahme der Arbeit eventuell ein Brand ausgelöst wird!

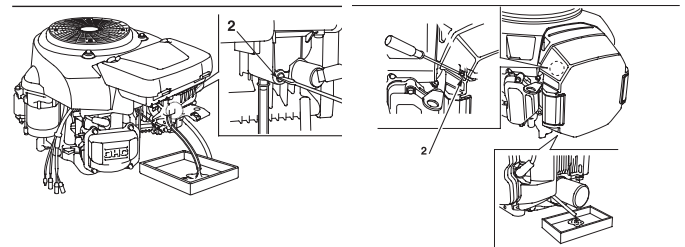
Den Kraftstofftank leeren. Dazu muss die Leitung am Eintritt des Benzinfilters (1) abgetrennt werden.

Die Benzinleitung wieder anschließen. Die Auslassschraube (2) des Kraftstoffs lockern und den Kraftstoff in einen geeigneten Behälter auslassen. Die Auslassschraube festziehen.

Die zwei Zündkerzen entfernen und einen Esslöffel sauberes Motoröl in die Zylinder gießen. Den Motor von 1 bis 2 Sekunden mittels des Startmotors drehen lassen, indem der Kontaktschlüssel gedreht wird. Dies ermöglicht, das Öl einheitlich in den Zylindern zu verteilen. Die Zündkerzen erneut montieren (6.4.5).



HF23♦♦♦♦ HF24♦♦♦♦ HF2625♦♦♦♦



HF23♦♦♦♦ HF24♦♦♦♦ HF2625♦♦♦♦

GEFAHR! Benzin ist hochgradig entflammbar. Den Kraftstoff in geeigneten Behältern aufbewahren. Tankverschluss und Verschluss des Benzinbehälters müssen immer gut zugeschraubt sein.

WICHTIG Die Batterie muss an einem kühlen und trockenen Ort aufbewahrt werden. Vor einem langen Untätigkeitsraum (mehr als 1 Monat), die Batterie immer nur mit dem entspre-

chend mit der Maschine mitgelieferten Batterieladegerät aufladen und erneut aufladen, bevor die Tätigkeit wieder aufgenommen wird (☛ 6.2.3).

Bei der Wiederaufnahme der Arbeit darauf achten, dass an den Leitungen und dem Vergaser keine undichten Stellen auftreten.

5.4.14 Vorrichtung zum Schutz der elektronischen Steuerkarte

Die elektronische Steuerkarte ist mit einer Schutzvorrichtung mit automatischer Rückstellung versehen, die den Stromkreis bei Störungen der elektrischen Anlage unterbricht. Das Auslösen verursacht das Abstellen des Motors und wird durch ein akustisches Signal angezeigt, das nur durch das Herausziehen des Zündschlüssels ausgeschaltet wird.

Nach einigen Sekunden baut sich der Stromkreis automatisch wieder auf; die Störungsursachen feststellen und beseitigen, um zu vermeiden, dass die Vorrichtung erneut anspricht.

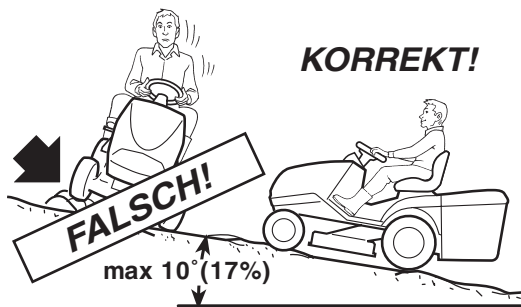
WICHTIG Um das Ansprechen der Schutzvorrichtung zu vermeiden:

- die Polarität der Batterie nicht vertauschen;
- die Maschine nicht ohne Batterie in Betrieb nehmen, um keine Betriebsstörungen des Ladereglers zu verursachen;
- darauf achten, dass kein Kurzschluss verursacht wird.

5.5 BETRIEB AN HÄNGEN

Mit Rücksicht auf die angezeigten Grenzen der Steigung (**max. 10° - 17%**) muss an Hängen in Richtung des Gefälles aufwärts/abwärts und darf nicht quer gefahren werden. Bei Richtungswechsel ist sehr darauf zu achten, dass die Hang aufwärts gerichteten Räder nicht auf Hindernisse stoßen (Steine, Äste, Wurzeln usw.), die ein seitliches Abrutschen, Umstürzen oder den Verlust der Kontrolle über die Maschine verursachen könnten.

Das Symbol (4.13.I) gibt an, dass der Neigungswinkel der Maschine sich an den empfohlenen Neigungsgrenzwert annähert.



GEFAHR! VOR JEDEM RICHTUNGSWECHSEL AM HANG IST DIE GESCHWINDIGKEIT ZU VERMINDERN und, wenn man die Maschine abstellt und unbewacht lässt, ist immer die Feststellbremse anzuziehen.

ACHTUNG! An Hängen mit besonderer Vorsicht anfahren, um ein Aufbäumen der Maschine zu vermeiden. Ehe man bergab fährt, die Fahrgeschwindigkeit verringern.

GEFAHR! Niemals den Rückwärtsgang einlegen, um beim Bergabfahren die Geschwindigkeit zu reduzieren: Dies könnte besonders bei rutschigem Untergrund zu einem Verlust der Fahrzeugkontrolle führen.

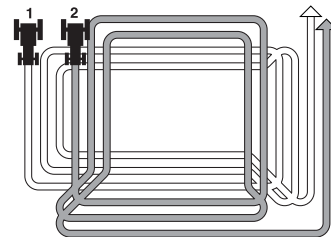
Bergabfahrten sind ohne Betätigung des Antriebspedals (☛ 4.22) durchzuführen, um die Bremswirkung des hydrostatischen Antriebs zu nutzen, wenn das Getriebe nicht eingeschaltet ist.

5.6 TRANSPORTSTELLUNG

ACHTUNG! Wenn die Maschine auf einem Lastwagen oder Anhänger transportiert werden soll, müssen Auffahrampen von geeigneter Tragkraft, Breite und Länge verwendet werden. Die Maschine darf ausschließlich mit ausgeschaltetem Motor, ohne Fahrer, durch Schieben mit einer entsprechenden Anzahl Personen aufgeladen werden. Während des Transports die Schneidwerkzeugbaugruppe absenken, die Feststellbremse anziehen und die Maschine auf dem Transportmittel mit Seilen oder Ketten auf geeignete Weise sichern.

5.7 EINIGE RATSCHLÄGE FÜR EINEN GUTEN SCHNITT

1. Damit der Rasen schön, grün und weich bleibt, muss man gleichmäßig mähen, ohne das Gras zu reißen.
2. Es ist immer empfehlenswert, das Gras zu mähen, wenn es trocken ist.
3. Die Schneidwerkzeuge müssen in gutem Zustand und gut geschliffen sein, damit der Schnitt sauber wird, ohne Ausfransungen, die zu einem Vergilben der Spitzen führen würden.
4. Der Motor muss mit maximaler Drehzahl laufen, um einen sauberen Schnitt des Rasens zu erzielen und um dem geschnittenen Gras einen wirkungsvollen Schub durch den Auswurfkanal zu verleihen.
5. Die Mähfrequenz muss im Verhältnis zum Wachstum des Grasses erfolgen, um zu vermeiden, dass das Gras zwischen einem Schnitt und dem andern zu stark wächst.
6. In den warmen und trockenen Jahreszeiten ist es zweckmäßig, das Gras etwas höher wachsen zu lassen, um das Austrocknen des Bodens zu vermindern.
7. Wenn das Gras sehr hoch ist, ist es besser, in zwei Durchgängen in einem Abstand von einem Tag zu mähen, den ersten mit den Schneidwerkzeugen in maximaler Höhe und eventuell reduzierter Schnittbreite, den zweiten in der gewünschten Höhe.



8. Das Aussehen des Rasens wird besser, wenn die Schnitte in wechselnden Richtungen ausgeführt werden.
9. Wenn der Auswurfkanal mit Gras zu verstopfen droht, ist es angebracht, die Fahrgeschwindigkeit zu vermindern, denn sie kann im Hinblick auf den Zustand des Rasens zu hoch sein. Wenn das Problem anhält, sind schlecht geschärfte Schneidwerkzeuge oder verformte Flügelprofile wahrscheinliche Ursachen.
10. Besondere Vorsicht ist beim Mähen in der Nähe von Sträuchern und niedrigen Bordsteinen geboten, welche die waagrechte Ausrichtung der Schneidwerkzeugbaugruppe beeinträchtigen und deren Rand, sowie die Schneidwerkzeuge beschädigen könnten.

5.8 ZUSAMMENFASSUNG DER WESENTLICHEN MASSNAHMEN IN VERSCHIEDENEN BETRIEBSITUATIONEN

Um	Muss man....
Den Motor anlassen (☛ 5.4.1)	Die Bedingungen für das Anlassen herstellen und den Zündschlüssel betätigen.
Vorwärts fahren (☛ 5.4.2)	Den Gashebel verstellen; Das Antriebspedal in Vorwärtsgang drücken (☛ 4.22).
Bremsen oder anhalten (☛ 5.4.3)	Die Motordrehzahl vermindern und das Bremspedal betätigen.
Rückwärts fahren (☛ 5.4.4)	die Maschine anhalten; Das Antriebspedal in Rückwärtsgang drücken (☛ 4.23).
Gras mähen (☛ 5.4.5)	Die Grasfangeinrichtung oder den Auswurfschutz einhängen; Die Höhe der Schnitthöhe-Rädchen einstellen (☛ HF2317***) ausgeschlo- sen); den Gashebel verstellen; die Schneidwerkzeuge einschalten; die Schnitthöhe regulieren; das Antriebspedal in Vorwärtsgang drücken (☛ 4.22);
die Grasfangeinrichtung leeren (☛ 5.4.6)	Anhalten, die Schneidwerkzeuge ausschalten und die Bedienelemente zum Kippen der Grasfangeinrichtung betätigen.
Die Verstopfung des Auswurfkanals beheben (☛ 5.4.7)	Den Einstellhebel der Schnitthöhe mehrmals betätigen, um den Auswurfkanal zu schütteln und zu befreien. Anhalten, die Schneidwerkzeuge ausschalten und den Motor abstellen; die Grasfangeinrichtung abnehmen und den Kanal reinigen.
Die Funktion «Mulching» einschalten (☛ 5.4.8)	☛ HF2317**☛ HF2417HB☛ Dieses Zubehör (auf Anfrage erhältlich) muss so montiert werden, wie in den entsprechenden Anleitungen angegeben. ☛ HF2417HM☛ HF2417HT☛ HF2625**☛ Die «Mulching»-Funktion wird über den speziellen Hebel ein- oder ausgeschaltet (☛ 4.12).
Das Mähen beenden (☛ 5.4.9)	Die Schneidwerkzeuge ausschalten und die Motordrehzahl vermindern.
Den Motor anhalten (☛ 5.4.10)	Die Motordrehzahl vermindern, einige Sekunden warten, den Zündschlüssel betätigen.
Die Maschine abstellen (☛ 5.4.11)	Die Feststellbremse anziehen, den Zündschlüssel abziehen, erforderlichenfalls die Maschine, das Innere der Schneidwerkzeugbaugruppe, den Auswurfkanal und die Grasfangeinrichtung waschen.

te Teile sind zu ersetzen und dürfen nicht repariert werden. Nur Original-Ersatzteile verwenden: Teile mit nicht gleichwertiger Qualität können die Maschine beschädigen und für Ihre eigene Sicherheit und die Sicherheit Dritter schädlich sein.

WICHTIG

Niemals verbrauchtes Öl, Benzin oder andere umweltschädigende Stoffe in der Umwelt ausschütten.

Jedes Mal, wenn ...	Muss man....
Die Schneidwerkzeuge vibrieren	Die Befestigung kontrollieren (☛ 6.3.1) oder die Schneidwerkzeuge auswuchten (☛ 6.3.1)
Die Schneidwerkzeuge reißen das Gras aus und der Rasen vergilbt.	Die Schneidwerkzeuge schärfen (☛ 6.3.1)
Der Schnitt unregelmäßig wird	Die Ausrichtung der Schneidwerkzeugbaugruppe einstellen (☛ 6.3.2)
Das Einkuppeln der Schneidwerkzeuge ist unregelmäßig	Den Regler der Kupplung einstellen (☛ 6.3.3).
Die Maschine nicht bremst	Die Feder der Bremse einstellen (☛ 6.3.4)
Die Fahrgeschwindigkeit unregelmäßig ist	Die Feder des Spanners einstellen (☛ 6.3.5)
Die Grasfangeinrichtung springt und neigt dazu, sich zu öffnen	Die Feder einstellen (☛ 6.3.6)

6. WARTUNG

6.1 EMPFEHLUNGEN FÜR DIE SICHERHEIT

⚠ ACHTUNG! *Vor jedem Eingriff zur Reinigung, Wartung oder Reparatur sind der Zündschlüssel zu ziehen und die entsprechenden Anweisungen zu lesen. Zweckmäßige Kleidung anziehen und beim Ausbau und erneuten Einbau der Schneidwerkzeugen sowie in allen Situationen, die Gefahren für die Hände mit sich bringen, Arbeitshandschuhe benutzen. Der Motor muss kalt sein, bevor man mit der Wartung beginnt.*

⚠ ACHTUNG! *Das Fahrzeug nicht verwenden, wenn Teile abgenutzt oder beschädigt sind. Schadhafte oder abgenutz-*

6.2 PERIODISCHE WARTUNG

6.2.1 ANLEITUNG FÜR DIE VORGESEHENE WARTUNG

Diese Tabelle hat den Zweck, Ihnen zu helfen, Ihre Maschine leistungsfähig und sicher zu halten. In ihr sind die wichtigsten Arbeitsschritte von Wartung und Schmierung mit Angaben der zeitlichen Abstände aufgeführt, in denen sie zu wiederholen sind. Neben jedem Arbeitsschritt finden Sie eine Reihe von Kästchen, in die Sie oder Ihr Fachhändler das Datum oder die Zahl der Betriebsstunden eintragen können, nach denen der Arbeitsschritt vorgenommen worden ist.



Das Symbol und den Eingriffsschwellencode (4.13.m) immer wieder zurückstellen, nachdem jegliche Wartungstätigkeit ausgeführt wurde.

ARBEITSGANG		TÄTIGKEIT	INTERVALL			
			BEI JEDER VERWENDUNG	3 MONATE oder 20 STUNDEN	6 MONATE oder 50 STUNDEN	1 JAHR oder 100 STUNDEN-300 STUNDEN
Die Wartung zu jedem Intervall in Betriebsstunden oder Monaten ausführen, je nachdem welches Intervall zuerst eintritt		Motoröl	●			
		Wechsel		● (1)	●	
Luftfilter		Kontrolle	●			
		Kontrolle			◆	
Gitter des Lüftungskanals		Auswechseln			● (3)	● (4)
		Kontrolle	●			
Schalldämpfer		Kontrolle	●			
Gitter des Lüfters		Kontrolle	●			
Batterie	Laden				● (*)	
	Den Elektrolytstand prüfen		●			
	Den Elektrolytstand und die Dichte der Säure prüfen			●		
Reifen und Reifendruck		Kontrolle	●			
Riemen der Schneidwerkzeugbaugruppe		Kontrolle	●			
Treibriemen		Kontrolle		●		
Bremsen	Zustand der Bremse	Kontrolle	●			
	Anzug der Bremse und der Schaltstange der Kupplung	Kontrolle		● (1)	● (2)	
	Bremspedalweg	Kontrolle und Einstellung			●	
	Feststellbremse	Kontrolle			●	
Zustand der Schraubbolzen der Schneidwerkzeuge		Inspektion	●			
Anzug der Schraubbolzen der Schneidwerkzeuge		Kontrolle			●	●
Zustand der Schneidwerkzeuge		Kontrolle	●			
Schmierens vordere und hintere Achse		Schmierens			●	
Zündkerze	Kontrolle und Reinigung				●	
	Auswechseln					●
Gaszug		Kontrolle und Einstellung			●	
Tank, Leitung und Filter		Kontrolle und Einstellung				●
Ventilspiel		Kontrolle, ggf. auswechseln				●
Kühlrippen und Schutzwand		Kontrolle und Einstellung				●
Buchse des Betätigunspedals		Reinigung			●	
Mulch-System	Kontrolle und Reinigung	●				
	Einstellung (falls erforderlich)					●

(*) Wenn die Maschine seit mehr als 1 Monat nicht benutzt wurde.
◆ Wenn die Maschine in staubigen Bereichen benutzt wird, den Luftfilter häufiger reinigen.

(1) Dieses Intervall nur für die erste Wartung verwenden.
(2) Dieses Intervall bezieht sich auf die zweite Wartung und auf die nachfolgenden Wartungen.

(3) GCV530
(4) GXV690

6.2.2 Hinterachse

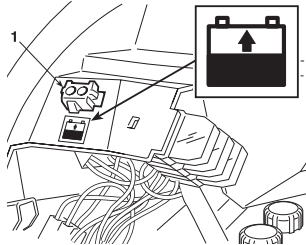
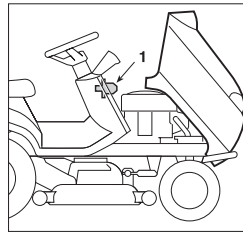
Sie besteht aus einer geschlossenen Einheit und bedarf keiner Wartung. Sie unterliegt einer Dauerschmierung, die nicht ausgewechselt oder nachgefüllt werden muss.

6.2.3 Batterie

Es ist äußerst wichtig, eine akkurate Wartung der Batterie vorzunehmen, um sicherzustellen, dass sie eine lange Lebensdauer hat. Die Batterie Ihrer Maschine muss unbedingt geladen werden:

- Bevor Sie die Maschine nach dem Kauf zum ersten Mal verwenden (☛ 3.1);
- vor jeder längeren Periode des Stillstands der Maschine;
- vor der Inbetriebnahme nach einer längeren Periode des Stillstands.

Die Maschine ist mit einem Ladeanschluss (1) ausgestattet, der an den entsprechenden Anschluss des geeigneten Batterieladegerätes anzuschließen ist, das mitgeliefert wird.



WICHTIG

Mit diesem Verbinder darf keine andere Vorrichtung als das Batterieladegerät verbunden werden.

In Zeiten der Untätigkeit kann das Ladeniveau durch die Verwendung des mitgelieferten Batterieladegerätes aufrecht erhalten werden.

WICHTIG

Das Aufrechterhalten der Ladung muss mit dem Batterieladegerät erfolgen. Hierzu die in der entsprechenden Betriebsanleitung wiedergegebenen Hinweise berücksichtigen. Andere Ladesysteme können der Batterie Schäden zufügen, die nicht zu beheben sind.

Eine entladene Batterie muss so bald wie möglich geladen werden. Andernfalls können die Elemente der Batterie dauerhafte Schäden erleiden.

Regelmäßig den Elektrolytstand prüfen; um ggf. aufzufüllen, AUS-SCHLIESSLICH destilliertes Wasser für Batterien verwenden.

6.3 KONTROLLEN UND EINSTELLUNGEN

6.3.1 Ausbau, Schärfen und Auswuchten der Schneidwerkzeuge

Ein schlecht geschärftes Schneidwerkzeug reißt das Gras aus, verringert die Ladekapazität und lässt den Rasen vergilben.

WICHTIG

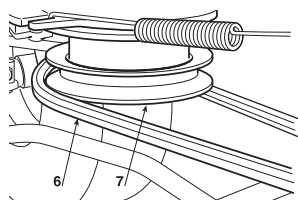
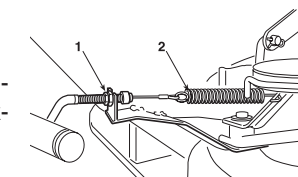
Um Zugang zu den Schneidwerkzeugen zu haben, sollte man die Schneidwerkzeugbaugruppe ausbauen, die über ein System zum schnellen Abhaken verfügt, durch das sie einfach von der Maschine abgenommen werden kann.

a) Ausbau der Schneidwerkzeugbaugruppe

Die seitlichen Schutzeinrichtungen abnehmen, bevor man die Schneidwerkzeugbaugruppe ausbaut (☛ 5.4.12).

HF2317◆◆

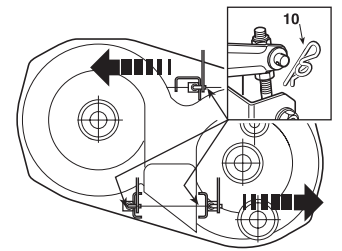
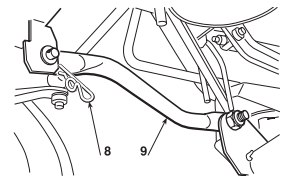
Nachdem der Hebel zum Einstellen der Höhe des Mähwerks auf Position «1» gestellt worden ist, den Regler des Kupplungsseils (1) herausziehen und die Feder (2) aushaken.



Den Riemen der Schneidwerkzeuge (6) von der Kupplungs-Riemenscheibe (7) lösen.

Die zwei Sicherheitssplinte (8) abziehen, welche die zwei Stangen (9) am Rahmen befestigen.

Die drei Sicherheitssplinte (10) zum Sperren der Bolzen auf den Hubhebeln herausziehen. Dabei ist darauf zu achten, dass die Muttern und Gegenmutter nicht verstellt werden, so dass beim Montieren derselbe Zustand der Parallelität wiedergefunden wird.

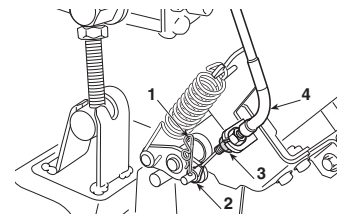


Nachdem man festgestellt hat, dass keine Hindernisse vorhanden sind, kann die Schneidwerkzeugbaugruppe nach der linken Seite so herausgezogen werden, dass die Bolzen aus ihren Sitzen springen.

Bei der Montage die oben angegebenen Schritte in umgekehrter Reihenfolge ausführen und dabei sicherstellen, dass das vordere Endstück des Auswurfkanals sich korrekt in den Ausgang der Schneidwerkzeugbaugruppe einfügt.

HF2417HM• HF2417HT• HF2625H◆

Das Betätigungskabel des "Mulching" entfernen. Den Splint (1) entfernen und die Öse (2) herausziehen. Die Mutter (3) lockern und das Kabel (4) entfernen.



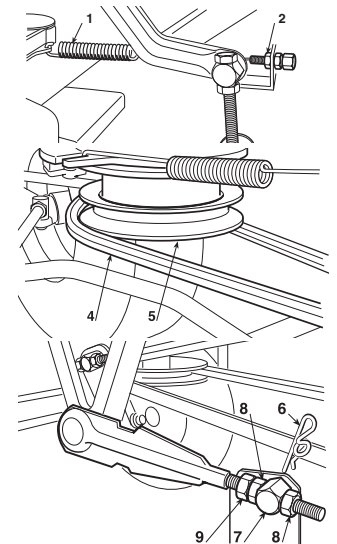
HF24◆◆◆ HF26◆◆◆

Den Einstellhebel der Höhe des Mähwerks in die Position «1» stellen.

Die Feder (1) zum Einkuppeln der Schneidwerkzeuge lösen.

Den Regler der Kupplung (2) lockern und aus seinem Sitz ziehen.

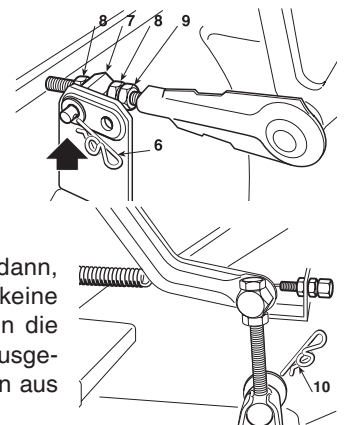
Den Riemen der Schneidwerkzeuge (4) von der Kupplungs-Riemenscheibe (5) lösen.



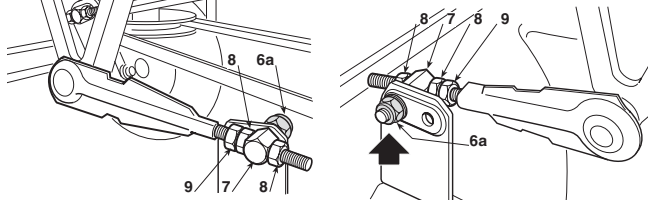
HF24◆◆◆

Die beiden Sicherheitssplinte (6) der beiden Zapfen (7) der vorderen Schubstangen abschrauben, ohne die Position der Muttern (8) und Gegenmutter (9) zu verändern.

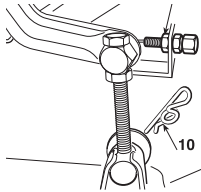
Die beiden Sicherheitssplinte (10) der hinteren Zapfen entfernen, dann, nachdem geprüft wurde, dass keine Hindernisse vorhanden sind, kann die Schneidwerkzeugbaugruppe herausgezogen werden, so dass alle Zapfen aus ihren Sitzen austreten.



Die zwei Muttern (6a) der beiden Zapfen (7) der vorderen Schubstangen abschrauben, ohne die Position der Muttern (8) und Gegenmutter (9) zu verändern.



Die beiden Sicherheitssplinte (10) der hinteren Zapfen entfernen, dann, nachdem geprüft wurde, dass keine Hindernisse vorhanden sind, kann die Schneidwerkzeugbaugruppe herausgezogen werden, so dass alle Zapfen aus ihren Sitzen austreten.



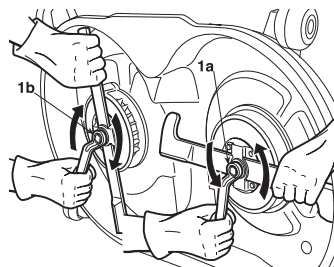
Bei der Montage darauf achten, die beiden hinteren Bohrungen der Winkel zur Befestigung der Zapfen (7) zu verwenden; die oben angegebenen Schritte in umgekehrter Reihenfolge ausführen und dabei sicherstellen, dass das vordere Endstück des Auswurfkanals sich korrekt in den Ausgang der Schneidwerkzeugbaugruppe einfügt.

b) Ausbau, Schärfen und Auswuchten der Schneidwerkzeuge

⚠ ACHTUNG! *Alle Arbeiten, die das Schneidwerkzeug betreffen (Ausbau, Schärfen, Auswuchten, Einbau und/oder Auswechseln), sind aufwändige Arbeiten, die außer der Verwendung spezieller Werkzeuge auch ein bestimmtes Fachkönnen erfordern. Aus Sicherheitsgründen sollten diese Arbeiten daher immer in einem Fachbetrieb ausgeführt werden, wenn die entsprechenden Ausrüstungen oder das erforderliche Fachwissen nicht vorliegen.*

⚠ ACHTUNG! *Bei Handhabung der Schneidwerkzeuge müssen immer feste Handschuhe getragen werden.*

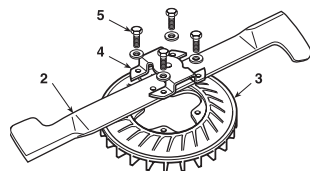
Um ein Schneidwerkzeug auszubauen, es gut festhalten und die Zentralschraube (1a – 1b) mit einem 15 mm Schlüssel in die durch den Pfeil für jedes Schneidwerkzeug angezeigte Richtung ausschrauben, weil die eine Befestigungsschraube ein Rechtsgewinde, die andere ein Linksgewinde hat.



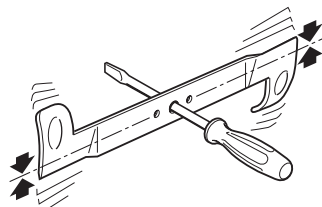
- 1a = Schraube mit Rechtsgewinde (gegen Uhrzeigersinn ausschrauben)
- 1b = Schraube mit Linksgewinde (im Uhrzeigersinn ausschrauben)

Das Schneidwerkzeug (2) ist mittels eines Halters (4) und vier Schrauben mit Scheiben (5) am Läufer (3) befestigt.

Mit einem Schraubenschlüssel SW 10 mm die vier Schrauben (5) ausdrehen und das Schneidwerkzeug (2) vom Halter (4) demontieren.



Beide Schneidkanten mit einem Schleifstein mittlerer Körnung schärfen und die Auswuchtung des Schneidwerkzeugs prüfen, indem man es mit einem in die Zentralbohrung eingeführten Schraubenzieher abstützt.



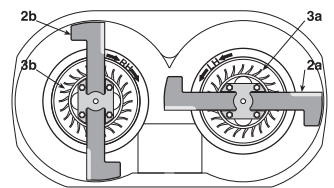
⚠ ACHTUNG! *Beschädigte oder verbogene Schneidwerkzeuge sind immer auszuwechseln; niemals versuchen, sie zu reparieren! STETS ORIGINAL SCHNEIDWERKZEUGE VERWENDEN!*

Bei dieser Maschine dürfen nur die folgenden Schneidwerkzeugs-paare verwendet werden:

HF 2317:	2b	80395-Y09-003 (82004345/1)	-	80394-Y09-003 (82004344/1)	2a
HF 2417:	2b	72511-VK1-A11 (82004341/1)	-	72531-VK1-A11 (82004340/1)	2a
HF 2625:	2b	72511-VK1-B11 (82004343/0)	-	72531-VK1-B11 (82004342/0)	2a

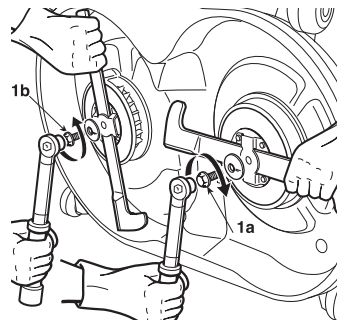
⚠ ACHTUNG! *Die Schneidwerkzeuge (2) und die Läufer (3) unterscheiden sich voneinander und sind gegenläufig. Bei der Montage sicherstellen, dass die Originalpositionen eingehalten werden.*

Jedes Schneidwerkzeug (2a – 2b) wieder am entsprechenden Läufer (3a – 3b) montieren, die Angaben „RH“ (rechts) und „LH“ (links) beachten, die am Läufer und auf der Innenseite der Schneidwerkzeugbaugruppe eingepreßt sind und die vier Schrauben (5) mit Scheiben mit einem auf 9,5 Nm eingestellten Drehmomentschlüssel festziehen.

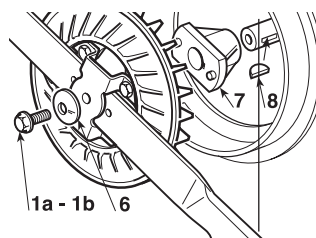


HINWEIS Die Angaben „rechts“ und „links“ beziehen sich auf die Fahrposition.

⚠ ACHTUNG! *Falls beim Ausbau der Schneidwerkzeuge eine oder beide Naben (7) von der Welle abgezogen worden sein sollten, muss man sich vergewissern, dass sich die Keile (8) richtig in ihren Sitzen befinden. Beim Einbau ist in der angegebenen Reihenfolge vorzugehen und darauf zu achten, dass die Flügel der Schneidwerkzeuge zur Innenseite der Schneidwerkzeugbaugruppe ausgerichtet sind und dass die konkave Seite des Sprenglings (6) gegen das Schneidwerkzeug drückt. Die Befestigungsschrauben (1a-1b) mit einem Drehmomentschlüssel festziehen, der auf 45-50 Nm eingestellt ist.*



- 1a = Schraube mit Rechtsgewinde (im Uhrzeigersinn festziehen)
- 1b = Schraube mit Linksgewinde (gegen Uhrzeigersinn festziehen)



6.3.2 Ausrichtung der Schneidwerkzeugbaugruppe

Eine gute Einstellung der Schneidwerkzeugbaugruppe ist wichtig, um einen gleichmäßig gemähten Rasen zu erhalten.

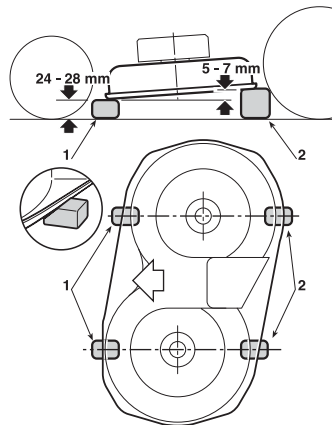
HINWEIS

Um einen guten Schnitt zu erzielen, ist es in jedem Fall angebracht, dass die vordere Seite im Vergleich zur hinteren immer um 5-7 mm tiefer liegt.

– Die Maschine auf einer ebenen Fläche abstellen und prüfen, ob der Reifendruck stimmt;

– in Höhe der Mittelachse der Schneidwerkzeuge zwei Unterlagen (1) von 24-28 mm unter den vorderen Rand der Schneidwerkzeugbaugruppe und zwei um 5-7 mm höhere Unterlagen (2) unter den hinteren Rand schieben;

– den Hubhebel in die Position «1» bringen;

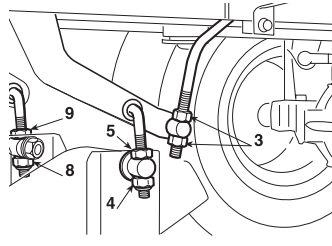


▶ HF2317...

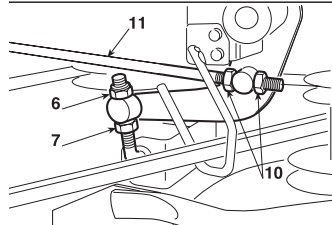
– die zwei Muttern (3), die Muttern (4 - 6 - 8) und die Gegenmutter (5 - 7 - 9) der drei Gelenkschubstangen vollkommen losschrauben, bis die Schneidwerkzeugbaugruppe auf den Unterlagen aufliegt;
– die beiden oberen Muttern rechts (6 - 8) und die untere Mutter links (4) einschrauben, bis man merkt, dass die Schneidwerkzeugbaugruppe beginnt, sich anzuheben; die drei Gegenmutter (5 - 7 - 9) blockieren und auf die Muttern (3) einwirken, bis eine minimale Bewegung des Lifthebels eine analoge Bewegung aller Hubstangen bewirkt.

Ein Unterschied der Höhe in Bezug auf den Boden zwischen dem rechten und dem linken Rand der Schneidwerkzeugbaugruppe kann zweckmäßigerweise durch Verstellen der zwei Muttern (4 - 8) und der Gegenmutter (5 - 9) ausschließlich der hinteren Gelenkschubstangen ausgeglichen werden.

Den Bedienungshebel in 2 oder 3 verschiedene Positionen stellen und kontrollieren, ob sich die Schneidwerkzeugbaugruppe gleichmäßig anhebt und ob der Höhenunterschied des vorderen und des hinteren Randes zum Boden konstant bleibt.



Wenn die vordere Seite dazu neigt, den Hub in Bezug auf die Position vorzuziehen oder zu verzögern, kann die Bewegung durch zweckmäßiges Verstellen der Muttern (10) der Verbindungsstange (11) reguliert werden.



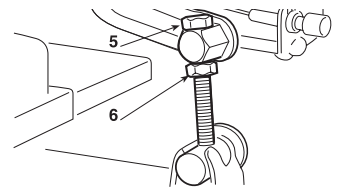
Durch Einschrauben der Muttern hebt die Stange die vordere Seite an und zieht den Hub vor, durch Ausschrauben der Muttern wird die gegenteilige Wirkung erzielt.

▶ HF24...◆◆

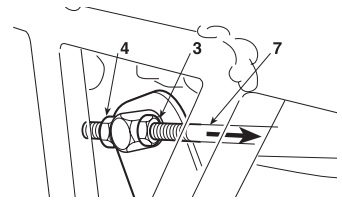
▶ HF26...◆◆

– Die Muttern (3), die Schrauben (5) und die Gegenmutter (4 - 6) sowohl auf der rechten als auch auf der linken Seite lockern, so dass die Schneidwerkzeugbaugruppe stabil auf den Unterlagen aufliegt;
– die beiden Verbindungsstangen (7) nach hinten drücken, und die beiden Muttern (3) auf den entsprechenden Stangen drehen, bis das Heben der vorderen Seite der Schneidwerkzeugbaugruppe

(links und rechts) festgestellt wird, dann die entsprechenden Gegenmutter (4) festziehen;
– beide hinteren Schrauben (5) drehen, bis das Heben der hinteren Seite der Schneidwerkzeugbaugruppe (links und rechts) festgestellt wird, dann die Gegenmutter (6) festziehen.



Falls es Ihnen nicht gelingen sollte, die Schneidwerkzeugbaugruppe gut einzustellen, wenden Sie sich bitte an Ihren Fachhändler.



6.3.3 Einstellen von Kupplung und Bremse der Schneidwerkzeuge

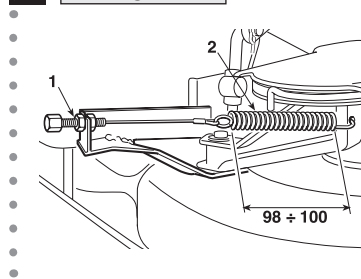
Wenn man das Bedienelement zum Ausschalten der Schneidwerkzeuge betätigt, wird gleichzeitig eine Bremse betätigt, die ihre Rotation in wenigen Sekunden anhält.

Eine Dehnung des Seils und/oder Veränderungen der Länge des Treibriemens können unregelmäßiges Kuppeln und Rotieren der Schneidwerkzeugen verursachen.

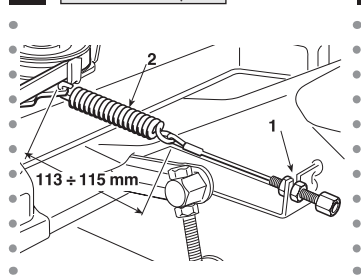
In diesem Fall muss auf die Einstellschraube eingewirkt werden, wie für das jeweilige Modell vorgesehen.

Die Einstellschraube (1) verstellen, bis man die richtige Länge der Feder (2) erhält.

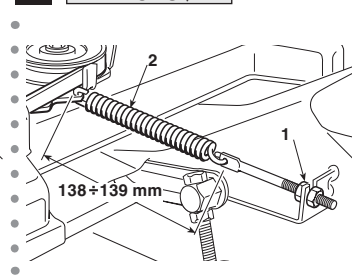
▶ HF2317...



▶ HF2417◆◆



▶ HF2625◆◆



Wenn nach der Einstellung die Kupplung nicht ordnungsgemäß den Riemen betätigt oder die Schneidwerkzeuge nicht innerhalb einiger Sekunden anhalten, wenden Sie sich bitte unverzüglich an Ihren Fachhändler.

6.3.4 Einstellung der Bremse

Die Verlängerung der Bremsräume gegenüber den angegebenen Werten (☛ 5.3.6) macht die Einstellung der Bremsfeder notwendig.

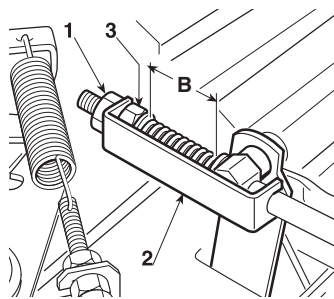
Die Einstellung muss bei angezogener Feststellbremse erfolgen.

Der Zugang zur Einstellung wird durch die Abnahme der Klappe möglich, die sich auf dem Tunnel an der Basis des Sitzes befindet.

Die Mutter (1) lösen, welche den Bügel (2) befestigt, und die Mutter (3) so lange verstellen, bis man eine Länge der Feder von:

B = 45 - 47 mm

erreicht. Die Messung erfolgt auf der Innenseite der Scheiben. Nach der Einstellung die Mutter (1) festziehen.



WICHTIG

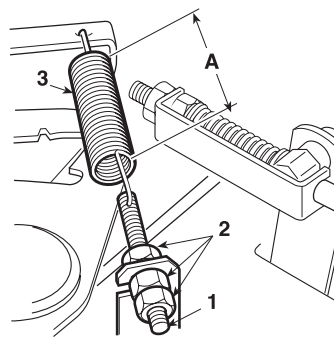
Nicht unter diesen Werten festschrauben, um eine Überlastung der Bremsgruppe zu vermeiden.

ACHTUNG!

Wenn nach dieser Einstellung die Bremse noch nicht richtig funktioniert, müssen Sie sofort Ihren Fachhändler kontaktieren. AUSSER DEN BESCHRIEBENEN ARBEITEN KEINE ANDEREN EINGRIFFE AN DER BREMSE VORNEHMEN.

6.3.5 Einstellung der Spannung des Treibriemens

Wenn die Maschine eine unzureichende Traktionsleistung zeigt, muss die Spannung der Feder des Riemenspanners verstellt werden, bis die optimalen Betriebsbedingungen wieder erreicht sind. Der Zugang zur Einstellung wird durch die Abnahme der Klappe möglich, die sich auf dem Tunnel an der Basis des Sitzes befindet.



Die Befestigungsmuttern (2) lockern und die Schraube (1) um den notwendigen Wert lockern oder festziehen, um die Länge "A" der Feder (3) zu erhalten von:

A = 109 - 111 mm.

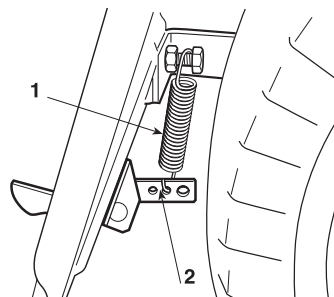
Die Messung erfolgt an der Außenseite der Windungen. Nach erfolgter Einstellung Muttern (2) festziehen.

HINWEIS

Falls der Riemen ausgewechselt wird, muss man bei den ersten Anfahrvorgängen vorsichtig vorgehen, weil das Kuppeln ruckartig erfolgen kann, bis der Treibriemen genügend eingelaufen ist.

6.3.6 Regulierung der Feder zum Einhaken der Grasfangeinrichtung

Wenn die Grasfangeinrichtung beim Befahren unebenen Böden dazu neigt, zu springen und sich zu öffnen, oder wenn das erneute Einhaken nach dem Leeren Schwierigkeiten bereitet, muss die Spannung der Feder (1) eingestellt werden.

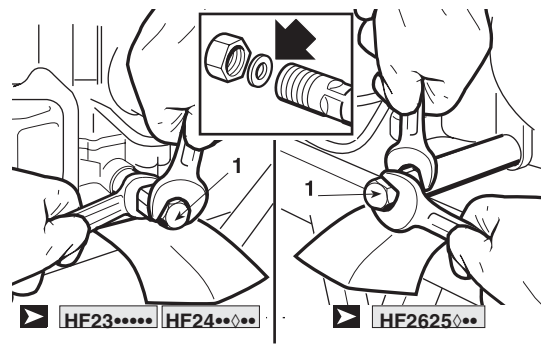


Den Einhakpunkt ändern, indem man eines der Löcher (2) verwendet, bis das gewünschte Ergebnis erhalten wird.

6.4 AUSBAU UND ERSETZEN VON TEILEN

6.4.1 Wechsel des Motoröls

Das Öl ablassen, wenn der Motor kalt ist.



Den Fülldeckel mit Ölmesstab herausziehen und das Kartonblatt oder einen ähnlichen Gegenstand unter die Auslassleitung legen, um zu vermeiden, dass das Öl auf den Rahmen der Maschine tropft.

Den Deckel (1) abschrauben. Wenn der Deckel erneut montiert wird, auf die Positionierung der inneren Dichtung achten.

Mit dem empfohlenen Öl nachfüllen bis der obere Grenzwert des Ölmesstabes erreicht ist (☛ 5.3.3). Den Deckel mit dem Ölmesstab erneut zuschrauben.

6.4.2 Wechsel des Ölfilters

1. Das Motoröl ablassen (☛ 6.4.1).
2. Den Ölfilter (1) mit dem Schlüssel des Filters (2) entfernen und das verbleibende Öl auslassen. Den Ölfilter wegwerfen.
3. Die Filterbasis reinigen (3).
4. Die neue toroidale Ringdichtung (4) mit sauberem Motoröl auf den neuen Filter legen.
5. Den neuen Ölfilter auf die Basis des Filters installieren und diesen per Hand festziehen, bis der O-Ring sich gegenüber der Filterbasis in Position befindet.
6. Den Ölfilter auf das angegebene Befestigungsdrehmoment (12 Nm - 1,20 kgm) festziehen.

WICHTIG

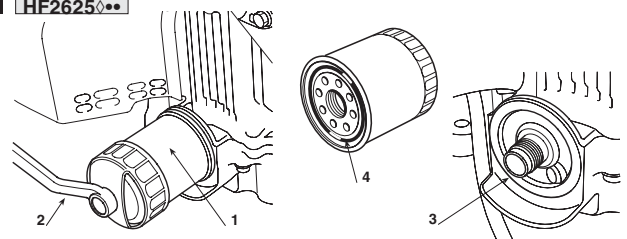
Ausschließlich einen Original-Honda-Ölfilter oder einen entsprechenden Qualitätsfilter für das eigene Modell einsetzen. Bei der Verwendung eines nicht geeigneten Honda-Filters oder eines entsprechenden minderwertigen Nicht-Honda-Filters könnte der Motor beschädigt werden.

7. Den Motor mit der angegebenen Menge des empfohlenen Öls füllen. Den Motor starten und kontrollieren, dass der Filter nicht leckt.
8. Den Motor ausschalten und den Ölstand erneut kontrollieren. Wenn notwendig, Öl hinzufügen, bis das geeignete Niveau erreicht ist.

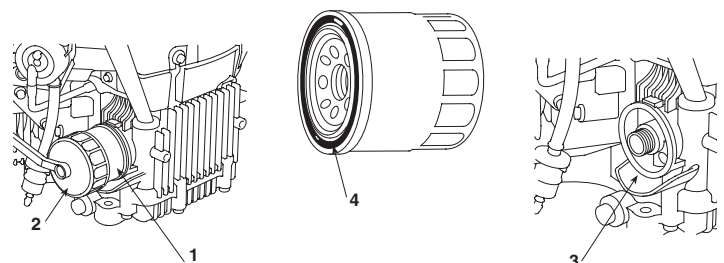
HINWEIS

Wenden Sie sich für Tipps bezüglich des Schlüssels für Filter (Spezialwerkzeug) an Ihren autorisierten Honda-Händler.

HF2625



HF23, HF24



6.4.3 Kundendienst für den Ölfilter

⚠ ACHTUNG! Nie den Luftfilter mit Benzin oder sehr entflammaren Lösungsmitteln reinigen. Dies könnte Explosionen oder Brände auslösen.

WICHTIG Den Motor nicht ohne Luftfilter drehen lassen. Es könnten Fremdkörper wie Staub oder Schmutz eindringen, welche den Motor schnell verschleiben lassen.

1.

▶ **HF23♦♦♦♦** **HF24♦♦♦♦** :

Die zwei Schrauben (1a) des Luftfilterdeckels vom Deckel des Luftfilters entfernen und den Deckel entfernen.

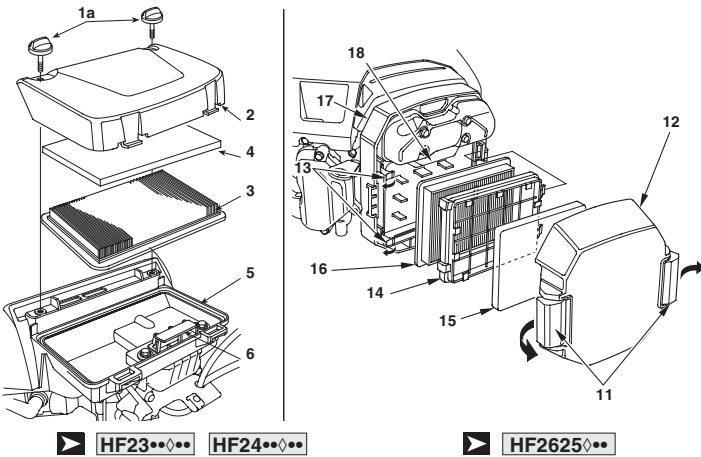
Den Papiereinsatz (3) vom Körper des Luftfilters (5) entfernen. Das schwammige Gummielement (4) vom Deckel des Luftfilters (2) entfernen.

▶ **HF2625♦♦♦♦** :

Die beiden Verriegelungslaschen (11) vom Luftfilterdeckel (12) ablösen. Die beiden Laschen (13) vom Filterhalter (14) lösen, dann den Filterhalter (14) entfernen und den Einsatz aus Schaumgummi (15) vom Halter abziehen. Den Papierfiltereinsatz (16) entnehmen.

2. Die Elemente des Luftfilters reinigen, wenn man diese erneut verwenden möchte.

- **Schwammiges Gummielement (4-15):** Mit heißem Wasser und Seife reinigen, abspülen und vollständig abtrocknen. Oder in nicht entflammarem Lösungsmittel reinigen und trocknen. Den Einsatz mit sauberem Motoröl durchtränken und das überschüssige Öl herausdrücken. Wenn zu viel Öl auf dem Schaumfiltereinsatz zurückbleibt, raucht der Motor beim Anlassen.
- **Papiereinsatz (3-16):** Den Einsatz leicht mehrere Male auf einer harten Oberfläche reiben, um den überschüssigen Schmutz zu entfernen oder durch den Filter von der Körperseite des Luftfilters mit Druckluft blasen (die 2,1 kg/cm² nicht überschreitet. Nie versuchen, den Schmutz wegzubürsten. Das Bürsten würde den Schmutz in die Fasern einführen. Den Papiereinsatz auswechseln, wenn er übermäßig verschmutzt ist.



3. Den Schmutz von der Innenseite des Luftfilterkörpers (5-17) und vom Deckel abreiben und hierzu einen feuchten Lappen verwenden. Darauf achten, dass der Schmutz nicht in die saubere Kammer (6-18) eindringt, die zum Vergaser geht.

4. Die Patronen des Luftfilters und den Deckel erneut installieren.

▶ **HF23♦♦♦♦** **HF24♦♦♦♦** : Die zwei Schrauben (1a) des Luftfilterdeckels fest anschrauben.

▶ **HF2625♦♦♦♦** : Die Verriegelungslaschen (11) stark befestigen.

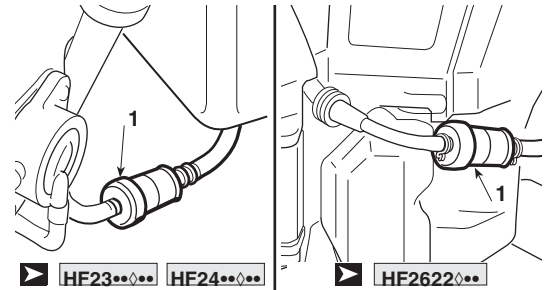
HINWEIS Vermeiden, dass Staub, Schmutz und Schutt während der Wartung des Luftfilters in die Reinigungskammer

(Luftfilterkörper) eintreten.

6.4.4 Wartung des Kraftstofffilters

⚠ ACHTUNG! Benzin ist eine hoch entflammare Substanz, die unter bestimmten Bedingungen explodieren kann. Nicht rauchen und Flammen oder Funken an den Motor annähern.

Kontrollieren, dass sich im Kraftstofffilter (1) kein Wasser oder keine Ablagerungen anhäufen. In einem derartigen Fall den Motor zum autorisierten Honda-Händler bringen.



6.4.5 Wartung der Zündkerze

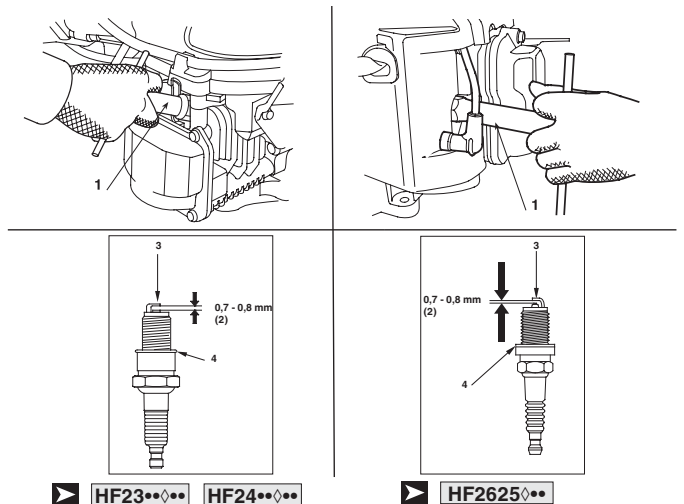
Empfohlene Zündkerzen:

- ▶ **HF23♦♦♦♦** **HF24♦♦♦♦** :
 - BPR5ES (NGK) - W16EPR-U (DICHT).
- ▶ **HF2625♦♦♦♦** :
 - ZFR5F (NGK)

WICHTIG Nie eine Zündkerze eines ungeeigneten Wärmebereiches einsetzen.

Um das gute Funktionieren des Motors sicherzustellen, muss der Abstand der Zündkerzenelektroden richtig sein und die Zündkerzen dürfen keine kohlenstoffhaltigen Ablagerungen haben.

1. Die Zündkerzenabdeckung entfernen und einen Zündkerzenschlüssel (1) verwenden, um jede Zündkerze zu entfernen.



⚠ ACHTUNG! Wenn der Motor angeschaltet war, ist der Auspuff sehr heiß. Darauf achten, sich nicht zu verbrennen.

2. Die Zündkerzen einer Sichtkontrolle unterziehen. Die Zündkerze austauschen, wenn sie verschlissen ist oder wenn der Isolator abgebrochen oder gerissen ist. Die Zündkerzen mit einer Metallbürste reinigen, wenn sie wiederverwendet werden sollen.
3. Mit einer Fühlerlehre den Abstand der Zündkerzenelektroden

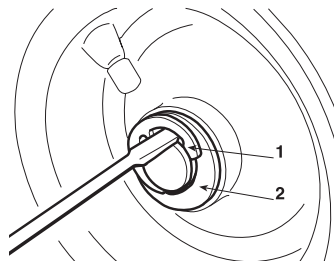
- (2) messen, ihn wenn notwendig korrigieren, indem die seitliche Elektrode (3) gebogen wird. Der Abstand muss sein: 0,7 - 0,8 mm.
- Kontrollieren, dass die Unterlegscheibe der Zündkerze (4) sich in einem guten Zustand befindet und die Zündkerze per Hand anschrauben, um zu vermeiden, dass ihr Gewinde beschädigt wird.
 - Wenn die Zündkerze auf ihrer Basis aufgestützt ist, sie mit einem Zündkerzenschlüssel (1) festziehen, damit die Unterlegscheibe zusammengedrückt wird.

HINWEIS

Wenn die neue Zündkerze installiert wird, diese um 1/2 Drehung festziehen, nachdem sie so positioniert wurde, dass die Unterlegscheibe zusammengedrückt wurde. Wenn die gebrauchte Zündkerze installiert wird, diese um 1/8 1/4 Drehung festziehen, bis sie so positioniert wurde, dass die Unterlegscheibe zusammengedrückt wird.

WICHTIG

Die Zündkerzen müssen fest angeschraubt werden. Wenn die Zündkerzen nicht korrekt festgezogen werden, könnten sie überhitzen und den Motor beschädigen.



6.4.6 Radwechsel

Bei eben abgestellter Maschine Unterlagen unter einem tragenden Element des Fahrgestells auf der Seite des zu wechselnden Rads anbringen.

Die Räder werden durch einen Sprengring (1) gehalten, der mit einem Schraubenzieher herausgenommen werden kann.

Die Hinterräder sind mit Hilfe eines in die Radnabe eingepassten Keils direkt auf die Achswellen des Differentials aufgezogen.

HINWEIS

Im Falle des Wechselns eines oder beider Hinterräder, muss man sich vergewissern, dass sie denselben Durchmesser haben, und die Parallelität der Schneidwerkzeugbaugruppe prüfen, um unregelmäßige Schnitte zu vermeiden.

WICHTIG

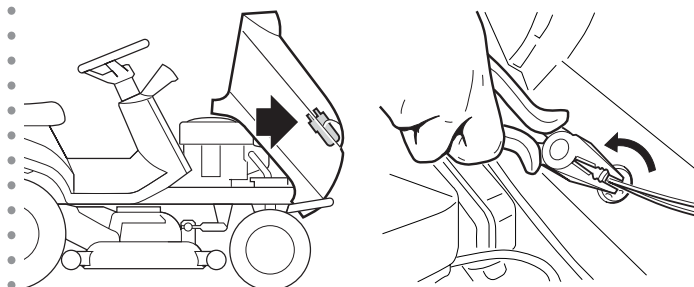
Vor der erneuten Montage eines Rads sind die Achse mit Fett zu schmieren und der Sprengring (1) und die Unterlegscheibe (2) vorsichtig einzusetzen.

6.4.7 Reparatur oder Wechsel der Reifen

Die Reifen sind schlauchlos und deshalb muss jeder Ersatz oder jede Reparatur infolge eines Lochs von einem Reifenfachmann in der für diesen Reifentyp vorgesehenen Weise ausgeführt werden.

6.4.8 Lampenwechsel

- HF23••♦••
- HF2417HB•



Die Lampen (10W) sind mit einem Bajonettverschluss im Lampensockel befestigt. Dieser wird mit Hilfe einer Flachzange entgegen dem Uhrzeigersinn gedreht und dann herausgezogen.

6.4.9 Auswechseln einer Sicherung

An der Maschine sind einige Sicherungen (1) von verschiedenen Stärken vorgesehen, deren Funktionen und Eigenschaften in der folgenden Tabelle beschrieben werden:

- 1 - 10 Amp - (Rot) Absicherung der allgemeinen Stromkreise und des Leistungskreises der Steuerkarte;

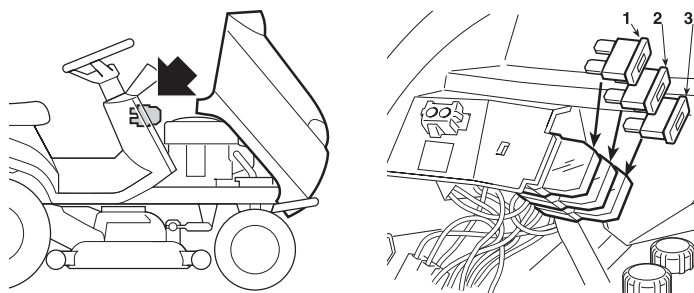
- HF23••♦••
- HF24••♦••

- 2 - 15 Amp - (Blau) Absicherung des Ladestromkreises;

- HF2625H••

- 2 - 15 Amp - (Blau) Absicherung des Ladestromkreises;
- 3 - 10 Amp - (Rot) Absicherung des Ladestromkreises der Steuerung der Grasfangeinrichtung.

- Der Eingriff der Sicherung (1) verursacht den Stillstand der Maschine und das vollständige Ausschalten des Armaturenbrettes.
- Das Ansprechen der Sicherung zeigt sich durch Einschalten der Batterie-Meldeleuchte (4.13.f).
- Der Eingriff der Sicherung (3) verhindert das Funktionieren des Steuermotors zum Kippen der Grasfangeinrichtung



WICHTIG

Eine defekte Sicherung muss immer durch eine Sicherung des gleichen Typs und der gleichen Leistung ersetzt werden, niemals durch eine Sicherung mit anderer Leistung.

Falls sich die Ursachen nicht beseitigen lassen, wenden Sie sich bitte an Ihren Fachhändler.

6.4.10 Austausch der Riemen

Das Auswechseln der Antriebsriemen erfordert Demontagen und anschließend recht komplizierte Einstellungen und muss deshalb unbedingt von Ihrem Fachhändler ausgeführt werden.

HINWEIS

Die Antriebsriemen sind auszuwechseln, sobald sie deutliche Anzeichen der Abnutzung aufweisen! STETS ORIGINAL-ANTRIEBSRIEMEN VERWENDEN!

7. ANLEITUNG ZUR STÖRUNGSSUCHE

STÖRUNG	MÖGLICHE URSACHE	ABHILFE
1. Mit dem Zündschlüssel auf «EIN» bleibt das Armaturenbrett ausgeschaltet, kein akustisches Signal.	Auslösen des Schutzes der elektronischen Steuerkarte wegen: – Batterie schlecht angeschlossen – Polarität der Batterie vertauscht – Batterie vollkommen entladen oder erodiert – Sicherung durchgebrannt – Fehlerhafter Masseanschluss an Motor oder Fahrgestell	Den Zündschlüssel auf «STOPP» stellen und die Ursachen der Störung suchen: – Anschlüsse prüfen (☛ 3.1) – Anschlüsse prüfen (☛ 3.1) – Batterie laden (☛ 6.2.3) – Sicherung auswechseln (10 A) (☛ 6.4.9) – die Anschlüsse der schwarzen Kabel der Erdung überprüfen
2. Mit dem Zündschlüssel auf «EIN» bleibt das Armaturenbrett ausgeschaltet, aber es ertönt ein akustischer Dauerton	Auslösen des Schutzes der elektronischen Steuerkarte wegen: – Steuerkarte feucht – Spannung der Batterie zu hoch – Probleme an der Steuerkarte	Den Zündschlüssel auf «STOPP» stellen und die Ursachen der Störung suchen: – mit lauwarmer Luft trocknen – die Batteriespannung überprüfen – Anschlüsse prüfen (☛ 3.1) – Batterie ersetzen – sich mit Ihrem Fachhändler in Verbindung setzen
3. Mit dem Zündschlüssel auf «STARTEN» schaltet das Armaturenbrett ein, aber der Anlasser funktioniert nicht.	– Batterie nicht ausreichend geladen – Fehlerhafter Masseanschluss Anlasser – Fehlende Voraussetzung zum Starten (☛ 5.2)	– Batterie laden (☛ 6.2.3) – Masseanschlüsse überprüfen – die Schneidwerkzeuge ausschalten: (wenn die Störung anhält, den entsprechenden Mikroschalter kontrollieren) – den Schalthebel in die Leerlaufstellung (N) bringen – sich fest auf den Sitz setzen
4. Mit dem Zündschlüssel auf «STARTEN» schaltet der Anlasser ein, aber der Motor läuft nicht an.	– batterie nicht ausreichend geladen – Mangelnder Zufluss von Benzin – Schaden an der Zündanlage – Öl fehlt	– Batterie laden (☛ 6.2.3) – Benzinstand prüfen (☛ 5.3.3) – Kabel der Schaltung zum Öffnen des Vergasers überprüfen – Benzinflter überprüfen (☛ 6.4.4) – Befestigung der Kappe der Zündkerze überprüfen (☛ 6.4.5) – Sauberkeit und korrekten Elektrodenabstand überprüfen (☛ 6.4.5) – Das Niveau des Motoröls überprüfen und wenn notwendig nachfüllen (☛ 5.3.3)
5. Anlassen erschwert oder Betrieb des Motors unregelmäßig	– Vergaserprobleme	– Luftfilter reinigen oder auswechseln (☛ 6.4.3) – Vergaserwanne reinigen (☛ 5.4.13) – Tank leeren und frisches Benzin einfüllen (☛ 5.4.13) – Benzinflter kontrollieren und ggf. auswechseln (☛ 6.4.4)
6. Die Maschine startet nicht	– Schaltung nicht im Leerlauf (N) mit "Cruise Control" nicht von der vorherigen Verwendung ausgeschaltet.	– Den Zündschlüssel auf «STOPP» stellen – Die "Cruise Control"-Vorrichtung ausschalten (☛ 4.9) Überprüfen, dass die Kontrollampe der Schaltung im Leerlauf (N) (4.13.j) auf dem Display aufleuchtet. Sollte die Störung weiter bestehen, setzen Sie sich mit Ihrem Fachhändler in Verbindung.
7. Absinken der Leistung des Motors während des Mähens	– Fahrgeschwindigkeit im Verhältnis zur Schnitthöhe zu hoch (☛ 5.4.5)	– Fahrgeschwindigkeit vermindern und/oder die Höhe der Schneidwerkzeugbaugruppe anheben.
8. Beim Einschalten der Schneidwerkzeuge geht der Motor aus	– es fehlt die Zustimmung zum Einschalten der Schneidwerkzeuge (☛ 5.2) – Schneidwerkzeuge eingeschaltet mit eingelegtem Rückwärtsgang	– korrekt Platz nehmen (wenn das Problem weiter besteht, den entsprechenden Mikroschalter kontrollieren) – prüfen, ob die Grasfangeinrichtung oder der Auswurfschutz richtig angebracht sind (wenn die Störung anhält, den entsprechenden Mikroschalter kontrollieren) – Die Freigabetaste Schneiden im Rückwärtsgang drücken (☛ 4.7)
9. Die "Cruise Control"-Vorrichtung legt sich nicht ein (aktivieren)		
10. Die "Cruise Control"-Vorrichtung deaktiviert sich nicht (deaktivieren) – durch Drücken des Pilzbefehls (4.9) – durch Auslösen des Vorwärtspedals (4.22) – durch Auslösen des Bremspedals (4.23)	– Die Bauteile der Vorrichtung sind blockiert oder beschädigt	– Den Zündschlüssel auf «STOPP» stellen – Sich mit Ihrem Fachhändler in Verbindung setzen
11. Die Kontrollampe der Batterie erlischt nicht nach einigen Minuten Betrieb.	– Batterie wird nicht ausreichend geladen.	– Anschlüsse überprüfen

STÖRUNG	MÖGLICHE URSACHE	ABHILFE
12. Die Kontrollleuchte der Batterie leuchtet auf	<ul style="list-style-type: none"> – Die Batterie erreicht gerade die Überspannungsschwelle 	<ul style="list-style-type: none"> – Den Zündschlüssel sofort auf «STOPP» stellen; – die Batterie (8) abtrennen; – sich mit Ihrem Fachhändler in Verbindung setzen
13. Die Kontrolllampe für das Motoröl leuchtet während der Arbeit.	<ul style="list-style-type: none"> – Probleme der Schmierung des Motors 	<p>Den Zündschlüssel sofort auf «STOPP» stellen:</p> <ul style="list-style-type: none"> – Motoröl nachfüllen (☛ 5.3.3) – Den Filter auswechseln (sollte die Störung weiterbestehen, setzen Sie sich mit Ihrem Fachhändler in Verbindung)
14. – Kalibrierung fehlgeschlagen. Die Neigungskontrolllampen (4.13.l) blinken abwechselnd	<ul style="list-style-type: none"> – die Maschinenbedingungen werden nicht berücksichtigt – Kalibrierung außerhalb der Zeit 	<ul style="list-style-type: none"> – Den Schlüssel auf «STOPP» stellen, die Maschinenbedingungen kontrollieren und Ihren Fachhändler kontaktieren, um den Sensor neu zu kalibrieren.
15. –Die Neigungskontrolllampen (4.13.l) leuchten falscherweise häufig auf	<ul style="list-style-type: none"> – Fehlfunktion des Sensors 	<ul style="list-style-type: none"> – Sich mit Ihrem Fachhändler in Verbindung setzen
16. –Die Neigungskontrolllampen (4.13.l) leuchten bei ebener Oberfläche oder geringer Neigung auf.	<ul style="list-style-type: none"> – Das Fahren erfolgt nicht in Sicherheit – geringer Reifendruck – Neigungssensor nicht kalibriert – Probleme an der Steuerkarte 	<ul style="list-style-type: none"> – Ohne plötzliche Auslösungen fahren; Start, Stillstand und Lenkmanöver – Den Reifendruck überprüfen – Sich mit Ihrem Fachhändler in Verbindung setzen – Sich mit Ihrem Fachhändler in Verbindung setzen
17. Mit dem Schlüssel auf «EIN» wird das USB-Gerät nicht aufgeladen	<ul style="list-style-type: none"> – Gerät falsch angeschlossen – Gerät nicht angeschlossen – Fehlfunktion des USB-Kabels – Temperatur des USB-Anschlusses zu hoch – Batterie nicht ausreichend geladen 	<p>Den Zündschlüssel auf «STOPP» stellen und die Ursachen der Störung suchen:</p> <ul style="list-style-type: none"> – Die Verbindung des Gerätes überprüfen – Die Verbindung des Gerätes überprüfen – Ein anderes USB-Kabel verwenden – Warten, dass die Steckdose sich abkühlt und erneut versuchen – Die Spannung der Batterie und das Aufladesystem überprüfen
18. Der Code des Wartungsintervalls wird beim Erreichen der Eingriffsschwelle nicht angezeigt. (☛ Modelle HF2417•••)	<ul style="list-style-type: none"> – Spannung der Batterie zu hoch 	<ul style="list-style-type: none"> – Die Spannung der Batterie auf dem Display überprüfen und warten, dass der Spannungswert auf unter 12,7 V absinkt. Dann erneut versuchen.
19. Der Code des Wartungsintervalls und das entsprechende Symbol können nicht zurückgesetzt werden, obwohl der Motor ausgeschaltet ist. (☛ Modelle HF2417•••)		
20. Die Fahrstunden (4.13.a.1) werden nicht gezählt (☛ Modelle HF2417•••)	<ul style="list-style-type: none"> – Regler abgetrennt – Schaden am Regler oder an der Steuerkarte 	<ul style="list-style-type: none"> – Die Verbindung des Reglers überprüfen – Die Batteriespannung bei laufendem Motor überprüfen. Wenn der Spannungswert geringer als 12,7 V ist, so betrifft der Schaden den Regler. Wenn der Spannungswert größer als 12,7 V ist, so betrifft der Schaden die Steuerkarte.
21. Die Fahrstunden (4.13.a.1) werden nicht gezählt (☛ Modelle HF2625•••)	<ul style="list-style-type: none"> – Signal der Motordrehungen abgetrennt – Schaden am Motor oder an der Steuerkarte 	<ul style="list-style-type: none"> – Die Verbindung des Motordrehungssignals überprüfen – Den Zahlenwert und den grafischen Indikator der Motordrehungen auf dem Display mit laufendem Motor überprüfen. Wenn der Zahlenwert und der grafische Indikator angezeigt werden, könnte der Schaden die Steuerkarte betreffen. Wenn beide nicht angezeigt werden, so betrifft der Schaden den Motor.
22. Die Helligkeit des LED-Hauptscheinwerfers reduziert sich während der Arbeit.	<ul style="list-style-type: none"> – Spannung der Batterie gering – Temperatur der elektronischen Vorrichtung innerhalb der Scheinwerfereinheit zu hoch. 	<p>Den Zündschlüssel auf «STOPP» stellen und die Ursachen der Störung suchen:</p> <ul style="list-style-type: none"> – Die Spannung der Batterie und das Ladesystem überprüfen – Etwas warten. Dann erneut starten.
23. Der LED-Hauptscheinwerfer leuchtet nicht bei Dunkelheit auf, wobei der Positionsscheinwerfer (Tageslicht) aufleuchtet.	<ul style="list-style-type: none"> – Verbinder abgetrennt – Kabel schlecht angeschlossen – Probleme an der Steuerkarte – Verkabelung beschädigt 	<p>Den Zündschlüssel auf «STOPP» stellen und die Ursachen der Störung suchen:</p> <ul style="list-style-type: none"> – Verbindungen und Kabel überprüfen – Sich mit Ihrem Fachhändler in Verbindung setzen
24. Der Positionsscheinwerfer (Tageslicht) leuchtet nicht auf	<ul style="list-style-type: none"> – Verbinder abgetrennt – Kabel schlecht angeschlossen – Verkabelung beschädigt 	<p>Den Zündschlüssel auf «STOPP» stellen und die Ursachen der Störung suchen:</p> <ul style="list-style-type: none"> – Verbindungen und Kabel überprüfen – Sich mit Ihrem Fachhändler in Verbindung setzen

<p>25. Der Motor geht aus und es ertönt ein akustisches Signal</p>	<p>Auslösen des Schutzes der elektronischen Steuerkarte wegen:</p> <ul style="list-style-type: none"> - Batterie enthält Säure, ist aber nicht geladen - Überlastung durch Laderegler - Batterie nicht angeschlossen (Wackelkontakt) - Fehlerhafter Masseanschluss Motor 	<p>Den Zündschlüssel auf «STOPP» stellen und die Ursachen der Störung suchen:</p> <ul style="list-style-type: none"> - Batterie laden (☛ 6.2.3) - sich mit Ihrem Fachhändler in Verbindung setzen - Anschlüsse prüfen (☛ 3.1) - Masseanschluss Motor überprüfen
<p>26. Der Motor geht aus, ohne dass ein akustisches Signal ertönt</p>	<ul style="list-style-type: none"> - Batterie nicht angeschlossen. - Fehlen von Masse am Motor - Motorprobleme 	<ul style="list-style-type: none"> - Anschlüsse prüfen (☛ 3.1) - Masseanschluss Motor überprüfen - Sich mit Ihrem Fachhändler in Verbindung setzen
<p>27. Die Schneidwerkzeuge schalten sich nicht ein</p>	<ul style="list-style-type: none"> - Antriebsriemen lose - Probleme beim elektromagnetischen Kupplern 	<ul style="list-style-type: none"> - Regler einstellen (☛ 6.3.3) - Sich mit Ihrem Fachhändler in Verbindung setzen
<p>28. Schnitt ungleichmäßig und Grasaufnahme unzureichend</p>	<ul style="list-style-type: none"> - Schneidwerkzeugbaugruppe nicht parallel zum Boden - Schlechter Schnitt der Schneidwerkzeuge - Fahrgeschwindigkeit im Verhältnis zur Höhe des zu mähenden Grasses hoch (5.4.5) - Verstopfung des Auswurfkanals - Die Schneidwerkzeugbaugruppe ist voller Gras 	<ul style="list-style-type: none"> - Reifendruck prüfen (☛ 5.3.2) - Ausrichtung der Schneidwerkzeugbaugruppe zum Boden wiederherstellen (☛ 6.3.2) - die korrekte Montage der Schneidwerkzeuge kontrollieren (☛ 6.3.1) - die Schneidwerkzeuge schärfen oder austauschen (☛ 6.3.1) - Die Spannung des Riemens und das Kupplungsseil des Bedienelements der Schneidwerkzeuge prüfen (☛ 6.3.3) - Fahrgeschwindigkeit vermindern und/oder die Höhe der Schneidwerkzeugbaugruppe anheben - Warten, bis Rasen trocken ist - Grasfangeinrichtung abnehmen und Kanal leeren (☛ 5.4.7) - Die Schneidwerkzeugbaugruppe reinigen (☛ 5.4.11)
<p>29. Nicht normale Vibrationen während des Betriebs</p>	<ul style="list-style-type: none"> - Die Schneidwerkzeuge sind nicht ausgewuchtet - Schneidwerkzeugen gelockert - Befestigungen gelockert 	<ul style="list-style-type: none"> - die Schneidwerkzeuge auswuchten oder austauschen, wenn sie beschädigt sind (☛ 6.3.1) - die korrekte Befestigung der Schneidwerkzeuge kontrollieren (☛ 6.3.1) - Befestigungsschrauben des Motors und des Fahrgestells überprüfen und festziehen
<p>30. Wenn man bei laufendem Motor das Antriebspedal betätigt, bewegt sich die Maschine nicht.</p>	<ul style="list-style-type: none"> - Entriegelungshebel in Position «B» (☛ 4.24) 	<ul style="list-style-type: none"> - Hebel in die Stellung «A» bringen
<p>31. Probleme bei der Betätigung des "Mulching"-Hebels (☛ Modelle HF2417HM• - HF2417HT• HF2625H♦♦)</p>	<ul style="list-style-type: none"> - Der Hebel bewegt sich nicht (Störung aufgrund von Grasanhäufung im Auswurfkanal oder in der Schneidwerkzeugbaugruppe) - Die Klappe schließt nicht richtig 	<ul style="list-style-type: none"> - Das im Auswurfkanal und in der Schneidwerkzeugbaugruppe abgelagerte Material entfernen - den Händler kontaktieren

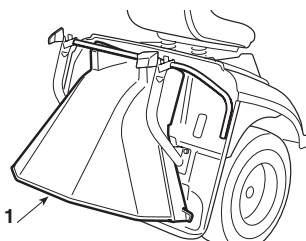
Wenn die Störungen nach den oben beschriebenen Eingriffen anhalten, ist Ihren Fachhändler zu kontaktieren.

⚠ ACHTUNG! Versuchen Sie niemals, schwierige Reparaturen auszuführen, ohne dazu die Mittel und die erforderlichen technischen Kenntnisse zu haben. Jeder Eingriff führt automatisch zum Verfall der Garantie und zur Ablehnung jeder Haftung des Herstellers.

8. SONDERZUBEHÖR

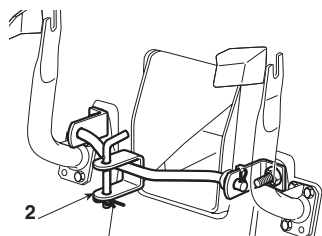
1. KIT AUSWURFSCHUTZ 80609-VK1-003

Anstelle der Grasfangeinrichtung zu verwenden, wenn das Gras nicht gesammelt wird.



2. ZUG-KIT 80596-VK1-003

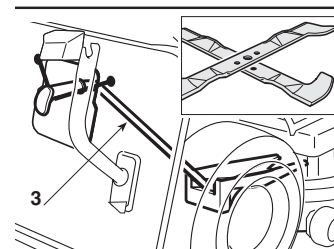
Dient zum Ankoppeln eines Anhängers.



3. DECKEL UND SCHNEIDWERKZEUG FÜR "MULCHING"

HF2317: 80597-VK1-003
HF2417HB: 06805-VK1-A10

Um das geschnittene Gras fein zu zerkleinern und auf der Wiese zu lassen, als Alternative zum Sammeln im Auffangsack.



⚠ ACHTUNG! Im Sinne Ihrer Sicherheit ist es strengstens verboten, anderes Zubehör als das in obiger Liste genannte zu montieren. Diese Zubehörteile wurden speziell für Ihr Maschinenmodell und -typ entwickelt.

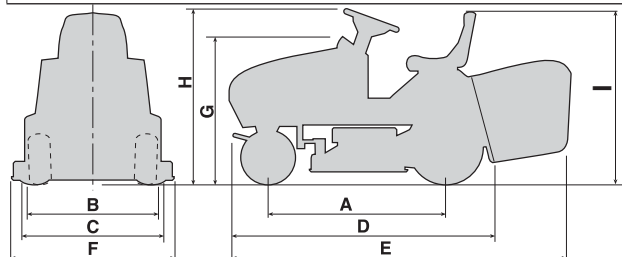
9. TECHNISCHE EIGENSCHAFTEN

MODELLE	HF2317HME	HF2417HBE	HF2417HME	HF2417HTE	HF2625HMEH	HF2625HTEH
Funktion						
Elektrische Anlage	12V	12 V	12 V	12 V	12 V	12 V
Batterie	24 Ah	24 Ah	24 Ah	24 Ah	24 Ah	24 Ah
Motor: HONDA Typ	GCV530	GCV530	GCV530	GCV530	GXV690H	GXV690H
Kühlsystem	Zwangslüftung					
Anzahl und Anordnung Zylinder (4-Takt)	2 / 90 ° V	2 / 90 ° V	2 / 90 ° V	2 / 90 ° V	2 / 90 ° V	2 / 90 ° V
Anordnung Ventile	OHC (obenliegende Nockenwelle)	OHC (obenliegende Nockenwelle)	OHC (obenliegende Nockenwelle)	OHC (obenliegende Nockenwelle)	OHV (Überkopfventile)	OHV (Überkopfventile)
Gesamthubraum	530 cm ³	530 cm ³	530 cm ³	530 cm ³	690 cm ³	690 cm ³
Effektive Motorleistung (*)	11,3kW / 3600	11,3 kW / 3600	11,3 kW / 3600	11,3 kW / 3600	16,5 kW / 3600	16,5 kW / 3600
Nennleistung des Motors min ⁻¹	9,7 kW / 2800	9,7 kW / 2800	9,7 kW / 2800	9,7 kW / 2800	13,9 kW / 2800	13,9 kW / 2800
Betriebsgeschwindigkeit	2800 min ⁻¹ (0,-150)	2800 min ⁻¹ (0,-150)	2800 min ⁻¹ (0,-150)	2800 min ⁻¹ (0,-150)	2800 min ⁻¹ (0,-150)	2800 min ⁻¹ (0,-150)
Kraftstofftyp	Bleifreies Benzin E10					
Inhalt Ölwanne	1,1 Liter	1,1 Liter	1,1 Liter	1,1 Liter	1,7 Liter	1,7 Liter
Reifen Vorderräder	13 x 5,00-6	15 x 6,00-6	15 x 6,00-6	15 x 6,00-6	15 x 6,00-6	15 x 6,00-6
Reifen Hinterräder	18 x 8,50-8	18 x 8,50-8	18 x 8,50-8	18 x 8,50-8	18 x 8,50-8	18 x 8,50-8
Reifendruck vorne	1,5 bar	1,0 bar	1,0 bar	1,0 bar	1,0 bar	1,0 bar
Reifendruck hinten	1,2 bar	1,2 bar	1,2 bar	1,2 bar	1,2 bar	1,2 bar
Inhalt des Kraftstofftanks	5,4 Liter	5,4 Liter	8,5 Liter	8,5 Liter	8,5 Liter	8,5 Liter
Masse leer (ohne Öl und Kraftstoff)	221 kg	243 kg	245 kg	256 kg	267 kg	276 kg
Fahrgeschwindigkeit						
Im Vorwärtsgang	0 - 8,2 km/h	0 - 8,2 km/h	0 - 8,2 km/h	0 - 8,2 km/h	0 - 8,2 km/h	0 - 8,2 km/h
Im Rückwärtsgang	0 - 4,2 km/h	0 - 4,2 km/h	0 - 4,2 km/h	0 - 4,2 km/h	0 - 4,2 km/h	0 - 4,2 km/h
Mindestradius nicht geschnittenes Gras	1,0 m	1,0 m	1,0 m	1,0 m	0,8 m	0,8 m
Schnitthöhe	29 ÷ 80 mm	29 ÷ 90 mm	29 ÷ 90 mm	29 ÷ 90 mm	29 ÷ 90 mm	29 ÷ 90 mm
Schnittbreite	92 cm	102 cm	102 cm	102 cm	122 cm	122 cm
Fassungsvermögen der Grasfangeinrichtung	280 Liter	300 Liter	300 Liter	300 Liter	350 Liter	350 Liter
Aktivierung der Grasfangeinrichtung	manuell	manuell	manuell	elektrisch	manuell	elektrisch
Abmessungen (mm)						
A	1150	1150	1150	1150	1150	1150
B	835	880	880	880	880	880
C	950	950	950	950	950	950
D	1870	1870	1870	1870	1870	1870
E	2460	2460	2460	2460	2460	2460
F	960	1060	1060	1060	1250	1250
G	980	990	990	990	990	990
H	1100	1120	1120	1120	1120	1120
I	1290	1290	1290	1290	1290	1290
Abgabe von Kohlendioxid (CO ₂) (**)	Siehe "Verzeichnis der CO ₂ -Informationen" auf www.honda-engines-eu.com/co2					

(**) Die Messung von CO₂ ist das Ergebnis eines Tests mit feststehendem Zyklus für einen Motor (Urexemplar) unter Laborbedingungen. Es stellt den Motortyp (Motorenfamilie) dar und impliziert und zeigt keine Garantie der Leistungen eines besonderen Motors.

Maximale Geräusch- und Vibrationswerte

MODELLE	HF2317HME	HF2417HBE	HF2417HME	HF2417HTE	HF2625HMEH	HF2625HTEH	
Garantierter Schalleistungspegel (2000/14/EG, 2005/88/EG)	dB(A)	100	100	100	100	105	105
Gemessener Schalleistungspegel (2000/14/EG, 2005/88/EG)	dB(A)	100	100	100	100	103	103
Messungenauigkeit	dB(A)	0,67	0,34	0,34	0,34	0,77	0,77
Schalldruck Öl des Bedieners (EN ISO 5395-1:2013 + A1:2018 / EN ISO 5395-3:2013 + A1:2017 + A2:2018)	dB(A)	85	85	85	85	89	89
Messungenauigkeit	dB(A)	0,72	1,20	1,20	1,20	2,03	2,03
Tatsächlicher Wert der Beschleunigung auf dem Sitz (EN ISO 5395-1:2013 + A1:2018 / EN ISO 5395-3:2013 + A1:2017 + A2:2018)	m/Sek ²	0,8	0,8	0,8	0,8	0,7	0,7
Messungenauigkeit	m/Sek ²	0,30	0,24	0,24	0,24	0,18	0,18
Tatsächlicher Wert der Beschleunigung auf dem Lenkrad (EN ISO 5395-1:2013 + A1:2018 / EN ISO 5395-3:2013 + A1:2017 + A2:2018)	m/Sek ²	2,9	3,3	3,3	3,3	3,5	3,5
Messungenauigkeit	m/Sek ²	1,07	0,93	0,93	0,93	0,97	0,97



DE 30

(*) Die in diesem Dokument angegebene Motorleistung ist die effektiv abgegebene Leistung, getestet an einem Produktionsmotor der Modelle GCV530 und GXV690H, gemessen gemäß der Norm SAE J1349 bei 3.600 U/min. (Effektive Leistung) und bei 2800 min⁻¹. (Nettoleistung). Die serienmäßig produzierten Motoren können andere Werte besitzen. Die effektive Leistung des an der Maschine montierten Motors kann durch viele Faktoren abweichen. Dazu gehören die Betriebsdrehzahl des Motors während der Arbeit, die Umgebungsbedingungen, die Wartung und andere Variablen.

10. ALPHABETISCHES SACHREGISTER

Akustisches Signal		
Funktion	4.13-o	
Auslösen	5.4.6	
Antrieb der Räder		
Einstellung des Riemens	6.3.5	
Antriebspedale		
Funktion der Pedale	4.22 - 4.23	
Vorwärtsgang	5.4.2	
Rückwärtsgang	5.4.4	
Auswurfkanal		
Beschreibung	2.2-3	
Leeren	5.4.7	
Auswurfschutz		
Beschreibung	2.2-5	
Montage auf der Maschine	5.3.5	
Batterie		
Beschreibung	2.2-7	
Anschluss	3.1	
Lange Stillstandzeit	5.4.13	
Wartung und Laden	6.2.3	
Beschleuniger		
Funktion und Gebrauch	4.3	
Bremse		
Funktion des Pedals	4.21	
Kontrolle der Leistungsfähigkeit	5.3.4	
Gebrauch der Bremse	5.4.3	
Einstellung der Schnitthöhe	6.3.4	
Choke		
Funktion und Gebrauch	4.2	
Drehzahländerung		
Vorwärtsgang	5.4.2	
Rückwärtsgang	5.4.4	
Feststellbremse		
Betätigung des Hebels	4.5	
Grasfangeinrichtung		
Beschreibung	2.2-4	
Kippbefehl	4.11	
Montage auf der Maschine	5.3.5	
Leeren	5.4.6	
Einstellung Einhaken	6.3.6	
Inbetriebnahme		
Vorgehen beim Anlassen	5.4.1	
Kontrollleuchten		
Funktion	4.13	
Lenkrad		
Funktion	4.1	
Motor		
Motoröl	6.4.1	
Ölfilter	6.4.2	
Luftfilter	6.4.3	
Kraftstofffilter	6.4.4	
Zündkerze	6.4.5	
Mulching		
Einschalthebel	4.12	
Funktion	5.4.8	
Neigungen		
Vorsichtsmaßnahmen	5.5	
Räder		
Auswechseln	6.4.6	
Reifen		
Reifendruck	5.3.2	
Reparatur und Reifenwechsel	6.4.7	
Reinigung		
Art der Durchführung	5.4.11	
Scheinwerfer		
Startbefehl	4.13-i, 4.13-i.1	
Auswechseln der Lampe	6.4.8	
Schneidwerkzeuge		
Beschreibung	2.2-2	
Einschalten	4.8	
Ausbau und Schärfen	6.3.1	
Einstellung der Kupplung	6.3.3	
Schneidwerkzeugbaugruppe		
Beschreibung	2.2-1	
Innenreinigung	5.4.11	
Ausbau	6.3.1-a	
Ausrichten	6.3.2	
Schnitt		
Einstellung der Schnitthöhe	4.6	
Schnitt im Rückwärtsgang	4.7	
Arten des Mähens	5.4.5	
Mähende	5.4.9	
Tipps für das Mähen	5.7	
„Mulching“-Funktion”	5.4.8	
Schraubenschlüssel		
Funktion	4.4	
Sicherheit		
Allgemeine Richtlinien	1.1	
Etiketten und Piktogramme	1.3	
Auslösen der Vorrichtung	5.2	
Kontrolle der Leistungsfähigkeit	5.3.6	
Sicherung		
Auswechseln	6.4.9	
Sitz		
Beschreibung	2.2-8	
Einstellung der Schnitthöhe	5.3.1	
Tanken		
Tankmodalität	5.3.3	
Transport		
Art der Durchführung	5.6	
USB-Zubehörsteckdose		
Funktion	4.10	
Vorrichtung zur Erhaltung der Geschwindigkeit		
Funktion und Gebrauch	4.9	
Wartung		
Art der Durchführung	6.1.6.2	
Zug		
Vorschriften	1.4	

PRESENTAZIONE

Gentile Cliente,

Vogliamo anzitutto ringraziarla per la preferenza accordata ai nostri prodotti e ci auguriamo che l'uso di questa sua nuova macchina rasaerba con operatore seduto le riservi grandi soddisfazioni e risponda appieno alle sue aspettative.

Questo manuale è stato redatto per consentirle di conoscere bene la sua macchina e di usarla in condizioni di sicurezza ed efficienza; non dimentichi che esso è parte integrante della macchina stessa, lo tenga a portata di mano per consultarlo in ogni momento e lo consegni assieme alla macchina il giorno in cui volesse cederla ad altri.

Questa sua nuova macchina è stata progettata e costruita secondo le normative vigenti, risultando sicura e affidabile se usata per il taglio e la raccolta dell'erba, nel pieno rispetto delle indicazioni contenute in questo manuale (**uso previsto**); qualsiasi altro impiego o l'inosservanza delle norme di sicurezza d'uso, di manutenzione e riparazione indicate è considerato come **"uso improprio"** (☛ 5.1) e comporta il decadimento della garanzia e il declino di ogni responsabilità del Costruttore, riversando sull'utilizzatore gli oneri derivanti da danni o lesioni proprie o a terzi.

Nel caso dovesse riscontrare qualche leggera differenza fra quanto qui descritto e la macchina in suo possesso, tenga presente che, dato il continuo miglioramento del prodotto, le informazioni contenute in questo manuale sono soggette a modifiche senza preavviso o obbligo di aggiornamento, ferme restando però le caratteristiche essenziali ai fini della sicurezza e del funzionamento. In caso di dubbio, non esiti a contattare il suo Concessionario. Buon lavoro!

Servizio Assistenza

Questo manuale le fornisce tutte le indicazioni necessarie per la conduzione della macchina e per una corretta manutenzione di base eseguibile dall'utilizzatore. Per gli interventi non descritti in questo libretto, può interpellare il suo Concessionario.

 **H F 2** | _ | _ | _ | _ | _ | _ | _ | _

Scrivete qui il modello della vostra macchina

 **M A** | _ | _ | _ | _ | _ | _ | _ | _

Scrivete qui il numero di matricola della vostra macchina

COME LEGGERE IL MANUALE

Nel testo del manuale, alcuni paragrafi contenenti informazioni di particolare importanza, ai fini della sicurezza o del funzionamento, sono evidenziati in modo diverso, secondo questo criterio:

NOTA


oppure **IMPORTANTE** Fornisce precisazioni o altri elementi a quanto già precedentemente indicato, nell'intento di non danneggiare la macchina, o causare danni.


ATTENZIONE! Possibilità di lesioni personali o a terzi in caso di inosservanza.

PERICOLO! Possibilità di gravi lesioni personali o a terzi con pericolo di morte, in caso di inosservanza.

Nel manuale sono descritte diverse versioni di macchina, che possono differire tra loro principalmente per:

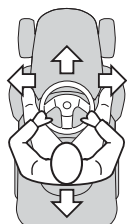
- tipo di trasmissione: con regolazione continua idrostatica della velocità;
- particolari allestimenti e/o accessori.

Il simbolo  evidenzia ogni differenza ai fini dell'utilizzo ed è seguito dall'indicazione della versione a cui si riferisce.

Il simbolo  rimanda ad un altro punto del manuale, per ulteriori chiarimenti o informazioni.

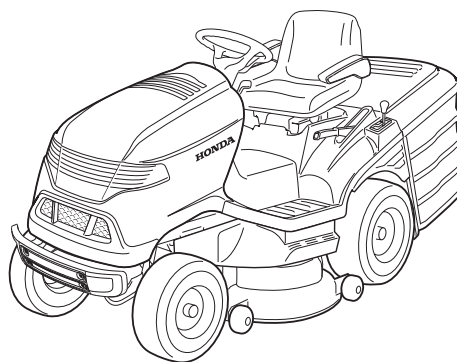
NOTA

Tutte le indicazioni "anteriore", "posteriore", "destra" e "sinistra" si intendono riferite alla posizione dell'operatore seduto.



HONDA

TRADUZIONE DELLE ISTRUZIONI ORIGINALI MANUALE DI ISTRUZIONI Rasaerba con operatore seduto HF2317 • HF2417 • HF2625



CE

INDICE

1. NORME DI SICUREZZA	2	
Contiene le norme per usare la macchina in sicurezza		
2. IDENTIFICAZIONE DELLA MACCHINA E DEI COMPONENTI	5	
Spiega come identificare la macchina e gli elementi principali che la compongono		
3. SBALLAGGIO E COMPLETAMENTO	6	
Spiega come rimuovere l'imballo e completare il montaggio degli elementi staccati		
4. COMANDI E STRUMENTI DI CONTROLLO	8	
Fornisce l'ubicazione e la funzione di tutti i comandi		
5. NORME D'USO	11	
Contiene tutte le indicazioni per lavorare bene e in sicurezza		
5.1 Raccomandazioni per la sicurezza	11	
5.2 Criteri di intervento dei dispositivi di sicurezza	12	
5.3 Operazioni preliminari prima di iniziare il lavoro	12	
5.4 Uso della macchina	13	
5.5 Uso sui terreni in pendenza	17	
5.6 Posizione di trasporto	17	
5.7 Alcuni consigli per eseguire un buon taglio	17	
5.8 Riepilogo delle principali azioni da compiere nelle varie situazioni	18	
6. MANUTENZIONE	18	
Contiene tutte le informazioni per mantenere efficiente la macchina		
6.1 Raccomandazioni per la sicurezza	18	
6.2 Manutenzione periodica	18	
6.3 Controlli e regolazioni	20	
6.4 Interventi di smontaggio e sostituzione	23	
7. GUIDA ALLA IDENTIFICAZIONE DEGLI INCONVENIENTI	26	
Vi aiuta a risolvere velocemente qualche eventuale problema di utilizzo		
8. ACCESSORI A RICHIESTA	27	
Vengono illustrati gli accessori disponibili per particolari esigenze operative		
9. CARATTERISTICHE TECNICHE	28	
Riassume le principali caratteristiche della vostra macchina		
10. INDICE ALFABETICO	29	
Indica dove si trovano le informazioni		
ELENCO DEI MAGGIORI DISTRIBUTORI HONDA IN EUROPA		i
"EC Declaration of Conformity"		
CONTENT OUTLINE		ii

ITALIANO

Honda France Manufacturing S.A.S.

Pôle 45 - Rue des Châtaigniers - 45140 ORMES - FRANCE

All rights reserved 12-2019 Stampato in Italia

HF2317 - HF2417K5 - HF2625

1. NORME DI SICUREZZA

1.1 NORME GENERALI DI SICUREZZA

⚠ ATTENZIONE! *PRIMA DI USARE LA MACCHINA, LEGGERE ATTENTAMENTE IL PRESENTE LIBRETTO. Conservare per ogni futura necessità.*

A) ADDESTRAMENTO

1) ATTENZIONE! Leggere attentamente le presenti istruzioni prima di usare la macchina. Prendere familiarità con i comandi e con un uso appropriato della macchina. Imparare ad arrestare rapidamente il motore. L'inosservanza delle avvertenze e delle istruzioni può causare incendi e/o gravi lesioni. Conservare tutte le avvertenze e le istruzioni per consultarle in futuro.

2) Non permettere mai che la macchina venga utilizzata da bambini o da persone che non abbiano la necessaria dimestichezza con le istruzioni. Le leggi locali possono fissare un'età minima per l'utilizzatore.

3) Non utilizzare mai la macchina con persone, in particolare bambini o animali nelle vicinanze.

4) Non utilizzare mai la macchina se l'utilizzatore è in condizione di stanchezza o malessere, oppure ha assunto farmaci, droghe, alcool o sostanze nocive alle sue capacità di riflessi e attenzione.

5) Ricordare che l'operatore o utilizzatore è responsabile di incidenti e imprevisti che si possono verificare ad altre persone o alle loro proprietà. Rientra nella responsabilità dell'utilizzatore la valutazione dei rischi potenziali del terreno su cui si deve lavorare, nonché prendere tutte le precauzioni necessarie per garantire la sua e altrui sicurezza, in particolare sui pendii, terreni accidentati, scivolosi o instabili.

6) Nel caso si voglia cedere o prestare ad altri la macchina, assicurarsi che l'utilizzatore prenda visione delle istruzioni d'uso contenute nel presente manuale.

7) Non trasportare bambini o altri passeggeri sulla macchina, poiché potrebbero cadere e procurarsi lesioni gravi o pregiudicare una guida sicura.

8) Il conducente della macchina deve seguire scrupolosamente le istruzioni per la guida e in particolare:

- Non distrarsi e mantenere la necessaria concentrazione durante il lavoro;
- Tenere presente che la perdita di controllo di una macchina che scivola su un pendio non può essere recuperata con l'uso del freno. Le cause principali di perdita di controllo sono:
 - Mancanza di aderenza delle ruote;
 - Velocità eccessiva;
 - Frenatura inadeguata;
 - Macchina inadeguata all'impiego;
 - Mancanza di conoscenza sugli effetti che possono derivare dalle condizioni del terreno, specialmente sui pendii;
 - Utilizzo scorretto come veicolo da traino.

9) La macchina è fornita di una serie di microinterruttori e di dispositivi di sicurezza che non devono mai essere manomessi o rimossi, pena il decadimento della garanzia ed il declino di ogni responsabilità del costruttore. Prima di utilizzare la macchina, controllare sempre che i dispositivi di sicurezza funzionino.

B) OPERAZIONI PRELIMINARI

1) Quando si utilizza la macchina indossare sempre calzature da lavoro resistenti, antiscivolo e pantaloni lunghi. Non azionare la macchina a piedi scalzi o con sandali aperti. Non indossare sciarpe, camici, collane, braccialetti, indumenti con parti svolazzanti, o provvisti di lacci o cravatte e comunque accessori pendenti o larghi che potrebbero impigliarsi nella macchina o in oggetti e materiali presenti sul luogo di lavoro. Raccogliere i capelli lunghi. Indossare cuffie di protezione dell'udito.

2) L'impiego di protezioni acustiche può ridurre la capacità di sentire eventuali avvertenze (grida o allarmi). Prestare la massima attenzione a quanto accade attorno all'area di lavoro.

3) Ispezionare a fondo tutta l'area di lavoro e togliere tutto ciò che potrebbe venire espulso dalla macchina o danneggiare l'assieme dispositivo di taglio e il motore (sassi, rami, fili di ferro, ossi, ecc.).

4) ATTENZIONE: PERICOLO! La benzina è altamente infiammabile.

- Conservare il carburante in appositi contenitori omologati per tale utilizzo, in luoghi sicuri, lontano da fonti di calore o fiamme libere; Non lasciare i contenitori alla portata dei bambini.
- Rabboccare il carburante, utilizzando un imbuto, solo all'aperto e non fumare durante questa operazione e ogni volta che si maneggia il carburante;
- Rabboccare prima di avviare il motore; non aggiungere benzina o togliere il tappo del serbatoio quando il motore è in funzione o è caldo;
- Se fuoriesce della benzina, non avviare il motore, ma allontanare la macchina dall'area nella quale il carburante è stato versato, ed evitare di creare possibilità di incendio, fintanto che il carburante non sia evaporato ed i vapori di benzina non si siano dissolti;
- Rimettere sempre e serrare bene i tappi del serbatoio e del contenitore della benzina.
- Evitare di inalare vapori del carburante.
- Aprire lentamente il tappo del serbatoio lasciando scaricare gradualmente la pressione interna.
- Non riavviare la macchina sul luogo ove è stato operato il rifornimento; l'avviamento del motore deve avvenire ad una distanza di almeno 3 metri dal luogo dove si è effettuato il rifornimento di carburante.
- Evitare il contatto del carburante con gli indumenti e, in tal caso, cambiarsi gli indumenti prima di avviare il motore.

5) Sostituire i silenziatori difettosi.

6) Prima dell'uso, procedere ad una verifica generale della macchina ed in particolare:

dell'aspetto del dispositivo di taglio e controllare che le viti e l'assieme dispositivo di taglio non sia usurato o danneggiato. Sostituire in blocco dispositivi di taglio e le viti danneggiate o usurate, per mantenere l'equilibratura. Le eventuali riparazioni devono essere eseguite presso un centro specializzato.

7) Controllare periodicamente lo stato della batteria, Sostituirla in caso di danni al suo involucro, al coperchio o ai morsetti.

8) Prima di iniziare il lavoro, montare sempre le protezioni all'uscita (sacco di raccolta, protezione di scarico posteriore).

C) DURANTE L'UTILIZZO

1) Non azionare il motore in spazi chiusi, dove possono accumularsi pericolosi fumi di monossido di carbonio. Le operazioni di avviamento devono avvenire all'aperto o in luogo ben aerato. Ricordare sempre che i gas di scarico sono tossici. Durante l'avviamento della macchina non indirizzare il silenziatore e quindi i gas di scarico verso materiali infiammabili.

2) Lavorare solamente alla luce del giorno o con buona luce artificiale e in condizioni di buona visibilità. Allontanare persone, bambini e animali dall'area di lavoro. È necessario che i bambini vengano sorvegliati da un altro adulto.

3) Evitare di lavorare nell'erba bagnata, sotto la pioggia e con rischio di temporali, specialmente con probabilità di lampi.

4) Prima di avviare il motore, disinnestare il dispositivo di taglio o la presa di potenza, mettere la trasmissione in "folle".

5) Prestare particolare attenzione quando ci si avvicina ad ostacoli che potrebbero limitare la visibilità.

6) Inserire il freno di stazionamento quando si parcheggia la macchina.

7) La macchina non deve essere utilizzata su pendii superiori a 10° (17%), a prescindere la senso di marcia.

8) Ricordarsi che non esiste un pendio "sicuro". Muoversi su prati in pendenza richiede una particolare attenzione. Per evitare ribaltamenti o perdita di controllo della macchina:

- Non arrestarsi o ripartire bruscamente in salita o in discesa;
- Innestare dolcemente la trazione e mantenere sempre la trasmissione inserita, specialmente in discesa;
- La velocità deve essere ridotta sui pendii e nelle curve strette;

- Fare attenzione ai dossi, alle cunette e ai pericolo nascosti;
 - Non tagliare mai nel senso trasversale del pendio. I prati in pendenza devono essere percorsi nel senso salita/discesa e mai di traverso, facendo molta attenzione ai cambi di direzione e che le ruote a monte non incontrino ostacoli (sassi, rami, radici, ecc.) che potrebbero causare scivolamento laterale, ribaltamento o perdita di controllo della macchina.
- 9) Ridurre la velocità prima di qualsiasi cambiamento di direzione sui terreni in pendenza e inserire sempre il freno di stazionamento prima di lasciare la macchina ferma e incustodita.
- 10) Prestare molta attenzione in prossimità di dirupi, fossi o argini. La macchina si può ribaltare se una ruota oltrepassa un bordo o se il bordo cede.
- 11) Prestare la massima attenzione quando si procedere e si lavora in retromarcia. Guardare dietro di sé prima e durante la retromarcia per assicurarsi che non vi siano ostacoli.
- 12) Prestare attenzione trainando dei carichi o usando attrezzature pesanti:
- Per le barre di traino, usare soltanto punti di attacco approvati;
 - Limitare i carichi a quelli che possono essere controllati agevolmente;
 - Non sterzare bruscamente. Fare attenzione durante la retromarcia;
 - Utilizzare contrappesi o pesi sulle ruote, quando suggerito nel manuale di istruzioni.
- 13) Disinnestare il dispositivo di taglio o la presa di potenza nell'attraversamento di zone non erbose, quando ci si sposta da o verso l'area che deve essere tagliata e portare l'assieme del dispositivo di taglio nella posizione più alta.
- 14) Quando si utilizza la macchina vicino alla strada, fare attenzione al traffico.
- 15) **ATTENZIONE!** La macchina non è omologata per l'utilizzo su strade pubbliche. Il suo impiego (ai sensi del Codice della Strada) deve avvenire esclusivamente in aree private chiuse al traffico.
- 16) Non utilizzare mai la macchina con protezioni danneggiate, mancanti o non correttamente posizionate (sacco di raccolta, protezione di scarico posteriore).
- 17) Tenere sempre mani e piedi lontani dal dispositivo di taglio sia durante l'avviamento sia durante l'utilizzo della macchina. Attenzione: l'elemento di taglio continua a ruotare per qualche secondo anche dopo il suo disinnesto o dopo lo spegnimento del motore. Stare sempre lontani dall'apertura di scarico.
- 18) Non lasciare la macchina ferma nell'erba alta con il motore in moto, per non rischiare di provocare incendi.
- 19) Quando si utilizzano gli accessori, non dirigere mai lo scarico verso le persone.
- 20) Utilizzare solo gli accessori approvati dal produttore della macchina.
- 21) Non utilizzare la macchina se gli accessori/utensili non sono installati nei punti previsti.
- 22) Prestare attenzione quando si utilizzano sacchi di raccolta e accessori che possono alterare la stabilità della macchina, in particolare sui pendii.
- 23) Non modificare le regolazioni del motore, e non fare raggiungere al motore un regime di giri eccessivo.
- 24) Non toccare i componenti del motore che si riscaldano durante l'uso. Rischio di ustioni.
- 25) Disinnestare il dispositivo di taglio o la presa di potenza, mettere in folle e inserire il freno di stazionamento, fermare il motore e togliere la chiave, (accertandosi che tutte le parti in movimento si siano completamente arrestate):
- Ogni qualvolta si lasci la macchina incustodita o si abbandoni il posto di guida;
 - Prima di rimuovere le cause di bloccaggio o prima di disintasarare il convogliatore di scarico;
 - Prima di controllare, pulire o lavorare sulla macchina;
 - Dopo aver colpito un corpo estraneo. Verificare eventuali danni sulla macchina ed effettuare le necessarie riparazioni prima di usarla nuovamente.
- 26) Disinnestare il dispositivo di taglio o la presa di potenza e fermare il motore, (accertandosi che tutte le parti in movimento si

siano completamente arrestate):

- Prima di fare rifornimento di carburante;
 - Ogni volta che si toglie o si rimonta il sacco di raccolta;
 - Ogni volta che si toglie o si rimonta il deflettore di scarico.
 - Prima di regolare l'altezza di taglio, se questa operazione non può essere eseguita dalla postazione del conducente.
- 27) Disinnestare il dispositivo di taglio o la presa di potenza durante il trasporto e ogni volta che non vengono impiegati.
- 28) Ridurre il gas prima di fermare il motore. Chiudere l'alimentazione del carburante al termine del lavoro, seguendo le istruzioni fornite sul libretto.
- 29) Prestare attenzione all'assieme dispositivi di taglio con più di un dispositivo di taglio, poiché un dispositivo di taglio in rotazione può determinare la rotazione degli altri.
- 30) Non disinserire, disattivare, rimuovere o manomettere i sistemi di sicurezza/microinterruttori presenti.
- 31) **ATTENZIONE** – In caso di rotture o incidenti durante il lavoro, arrestare immediatamente il motore e allontanare la macchina in modo da non provocare ulteriori danni; nel caso di incidenti con lesioni personali o a terzi, attivare immediatamente le procedure di pronto soccorso più adeguate alla situazione in atto e rivolgersi ad una Struttura Sanitaria per le cure necessarie. Rimuovere accuratamente eventuali detriti che potrebbero arrecare danni o lesioni a persone o a animali qualora rimanessero inosservati.
- 32) **ATTENZIONE** – Il livello di rumorosità e di vibrazioni riportato nelle presenti istruzioni, sono valori massimi di utilizzo della macchina. L'impiego di un dispositivo di taglio sbilanciato, l'eccessiva velocità di movimento, l'assenza di manutenzione influiscono in modo significativo nelle emissioni sonore e nelle vibrazioni. Di conseguenza è necessario adottare delle misure preventive atte ad eliminare possibili danni dovuti ad un rumore elevato e alle sollecitazioni da vibrazioni; provvedere alla manutenzione della macchina, indossare cuffie antirumore, effettuare delle pause durante il lavoro.
- 33) Non utilizzare accessori USB durante il taglio dell'erba o durante la guida.

D) MANUTENZIONE E MAGAZZINAGGIO

- 1) **ATTENZIONE!** – Togliere la chiave e leggere le relative istruzioni prima di iniziare qualsiasi intervento di pulizia o manutenzione. Indossare indumenti adeguati e guanti di lavoro in tutte le situazioni di rischio per le mani.
- 2) **ATTENZIONE!** – Non usare mai la macchina con parti usurate o danneggiate. I pezzi guasti o deteriorati devono essere sostituiti e mai riparati. Usare solo ricambi originali: l'uso di ricambi non originali e/o non correttamente montati compromette la sicurezza della macchina, può causare incidenti o lesioni personali e solleva il Costruttore da ogni obbligo o responsabilità.
- 3) Tutte le operazioni di manutenzione e di regolazione non descritte in questo manuale devono essere eseguite dal vostro Rivenditore o da un Centro specializzato, che dispone delle conoscenze e delle attrezzature necessarie affinché il lavoro sia correttamente eseguito, mantenendo il grado di sicurezza originale della macchina. Operazioni eseguite presso strutture inadeguate o da persone non qualificate comportano il decadimento di ogni forma di Garanzia e di ogni obbligo o responsabilità del Costruttore.
- 4) Dopo ogni uso, togliere la chiave e controllare eventuali danni.
- 5) Mantenere serrati dadi e viti, per essere certi che la macchina sia sempre in condizioni sicure di funzionamento. Una manutenzione regolare è essenziale per la sicurezza e per mantenere il livello delle prestazioni.
- 6) Controllare regolarmente che le viti del dispositivo di taglio siano serrate correttamente.
- 7) Indossare guanti da lavoro per maneggiare i dispositivi di taglio, per smontarli o rimontarli.
- 8) Curare l'equilibratura dei dispositivi di taglio quando vengono affilati. Tutte le operazioni riguardanti i dispositivi di taglio (smontaggio, affilatura, equilibratura, rimontaggio e/o sostituzione) sono lavori impegnativi che richiedono una specifica competenza oltre all'impiego di apposite attrezzature; per ragioni di sicurezza, oc-

corre pertanto che siano sempre eseguite presso un centro specializzato.

9) Controllare regolarmente il funzionamento dei freni. È importante effettuare la manutenzione dei freni e, se necessario, ripararli.

10) Controllare di frequente la protezione di scarico laterale, oppure la protezione di scarico, il sacco di raccolta e la griglia di aspirazione. Sostituirli se danneggiati.

11) Sostituire gli adesivi che riportano istruzioni e messaggi di avvertenza, se danneggiati.

12) Quando la macchina deve essere riposta o lasciata incustodita, abbassare l'assieme dispositivi di taglio.

13) Riporre la macchina in un luogo inaccessibile ai bambini.

14) Non riporre la macchina con della benzina nel serbatoio in un locale dove i vapori di benzina potrebbero raggiungere una fiamma, una scintilla o una forte fonte di calore.

15) Lasciare raffreddare il motore prima di collocare la macchina in un qualsiasi ambiente.

16) Per ridurre il rischio di incendio, mantenere il motore, il silenziatore di scarico, l'alloggiamento della batteria e la zona di magazzino della benzina liberi da residui d'erba, foglie o grasso eccessivo. Svuotare il sacco di raccolta e non lasciare contenitori con l'erba tagliata all'interno di un locale.

17) Per ridurre il rischio di incendi, controllare regolarmente che non vi siano perdite di olio e/o carburante.

18) Se il serbatoio deve essere vuotato, effettuare questa operazione all'aperto e a motore freddo.

19) Non lasciare mai le chiavi inserite o alla portata di bambini o persone non idonee. Togliere sempre la chiave prima di iniziare ogni intervento di manutenzione.

20) Durante le operazioni di regolazione della macchina, prestare attenzione ad evitare che le dita rimangano intrappolate fra il dispositivo di taglio in movimento e le parti fisse della macchina.

E) TRASPORTO

1) **ATTENZIONE!** - Se la macchina deve essere trasportata su un camion o un rimorchio, utilizzare rampe di accesso con resistenza, larghezza e lunghezza adeguate. Caricare la macchina con il motore spento, senza conducente e unicamente a spinta, impiegando un numero adeguato di persone. Durante il trasporto abbassare l'assieme dispositivo di taglio o l'accessorio, inserire il freno di stazionamento, posizionarla in modo da non costituire pericolo per nessuno e bloccarla saldamente al mezzo di trasporto mediante funi o catene per evitarne il ribaltamento con possibile danneggiamento e fuoriuscita di carburante.

F) TUTELA AMBIENTALE

1) La tutela dell'ambiente deve essere un aspetto rilevante e prioritario nell'uso della macchina, a beneficio della convivenza civile e dell'ambiente in cui viviamo. Evitare di essere un elemento di disturbo nei confronti del vicinato.

2) Seguire scrupolosamente le norme locali per lo smaltimento di imballi, olii, benzina, filtri, parti deteriorate o qualsiasi elemento a forte impatto ambientale; questi rifiuti non devono essere gettati nella spazzatura, ma devono essere separati e conferiti agli appositi centri di raccolta, che provvederanno al riciclaggio dei materiali.

3) Seguire scrupolosamente le norme locali per lo smaltimento dei materiali di risulta dopo il taglio.

4) Al momento della messa fuori servizio, non abbandonare la macchina nell'ambiente, ma rivolgersi a un centro di raccolta, secondo le norme locali vigenti.

1.2 DESCRIZIONE DELLA MACCHINA E CAMPO DI UTILIZZO

Questa macchina è un attrezzo da giardinaggio, e precisamente un rasaerba con conducente seduto.

La macchina è provvista di un motore, che aziona il dispositivo di

taglio, protetto da un carter, nonché un gruppo di trasmissione che provvede al movimento della macchina.

L'operatore è in grado di condurre la macchina e di azionare i comandi principali mantenendosi sempre seduto al posto di guida.

I dispositivi montati sulla macchina prevedono l'arresto del motore e del dispositivo di taglio, entro alcuni secondi, qualora le azioni dell'operatore non fossero conformi alle condizioni di sicurezza previste.

Uso previsto

Questa macchina è progettata e costruita per il taglio dell'erba. L'utilizzo di particolari accessori, previsti dal Costruttore come equipaggiamento originale o acquistabili separatamente, permette di effettuare questo lavoro secondo varie modalità operative, illustrate in questo manuale o nelle istruzioni che accompagnano i singoli accessori.

Parimenti, la possibilità di applicare accessori supplementari (se previsti dal Costruttore) può estendere l'utilizzo previsto ad altre funzioni, secondo i limiti e le condizioni indicate nelle istruzioni che accompagnano l'accessorio stesso.

Tipologia di utente

Questa macchina è destinata all'utilizzo da parte di consumatori, cioè operatori non professionisti, alla prima esperienza d'uso e/o inesperti. Questa macchina è destinata ad un "uso hobbistico".

Uso improprio

Qualsiasi altro impiego, difforme da quelli sopra citati, può rivelarsi pericoloso e causare danni a persone e/o cose. Rientrano nell'uso improprio (come esempio, ma non solo):

- trasportare sulla macchina o su un rimorchio altre persone, bambini o animali;
- trainare o spingere carichi senza l'utilizzo dell'apposito accessorio previsto per il traino;
- utilizzare la macchina per il passaggio su terreni instabili, scivolosi, ghiacciati, sassosi o sconnessi, pozzanghere o acquitrini che non permettano la valutazione della consistenza del terreno;
- azionare il dispositivo di taglio nei tratti non erbosi;
- utilizzare la macchina per la raccolta di foglie o detriti.

L'uso improprio della macchina comporta il decadimento della garanzia e il declino di ogni responsabilità del Costruttore, riversando sull'utilizzatore gli oneri derivanti da danni o lesioni proprie o a terzi.

1.3 ETICHETTE DI SICUREZZA

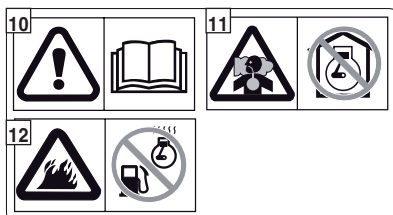
La vostra macchina deve essere utilizzata con prudenza. Per ricordarvelo, sulla macchina sono state poste delle etichette raffiguranti dei pittogrammi, che richiamiamo le principali precauzioni d'uso. Queste etichette sono considerate come parte integrante della macchina. Se una etichetta si stacca o diventa illeggibile, contattate il vostro Rivenditore per sostituirla. Il loro significato è spiegato qui di seguito.



- 1 = **Attenzione:** Leggere le istruzioni prima di usare la macchina.
- 2 = **Attenzione:** Togliere la chiave e leggere le istruzioni prima di effettuare qualsiasi operazione di manutenzione o riparazione.
- 3 = **Pericolo! Espulsione di oggetti:** Non lavorare senza aver montato la protezione di scarico posteriore o il sacco di raccolta.
- 4 = **Pericolo! Espulsione di oggetti:** Tenere lontane le persone.
- 5 = **Pericolo! Ribaltamento della macchina:** Non usare questa macchina su pendii superiori a 10°.
- 6 = **Pericolo! Mutilazioni:** Assicurarsi che i bambini rimangano a distanza dalla macchina quando il motore è in moto.
- 6a = Non salire sulla macchina calpestando le protezioni dell'assieme dispositivi di taglio.



- 7 = **Rischio di tagli.** Dispositivi di taglio in movimento. Non introdurre mani o piedi all'interno dell'alloggiamento dei dispositivi di taglio.
- 8 = **Attenzione:** Non manomettere il microinterruttore.
- 9 = **Evitare lesioni da trascinarsi delle cinghie:** Non azionare la macchina senza le protezioni montate. State lontano dalle cinghie.



- 10 = **Attenzione:** Leggere le istruzioni prima di usare la macchina.
- 11 = **Attenzione:** Il motore rilascia monossido di carbonio che è un gas tossico velenoso. Non azionare in un luogo chiuso.
- 12 = **Attenzione!** La benzina è estremamente infiammabile ed esplosiva. Spegnerne il motore e lasciarlo raffreddare prima di effettuare il rifornimento.



- 13 = **Attenzione:** Durante il funzionamento, il silenziatore diventa molto caldo e lo rimane per un certo tempo anche dopo l'arresto del motore.



- 14 = **Prodotto riciclabile.** Contiene piombo. Non disperdere nell'ambiente e smaltire secondo le normative vigenti.

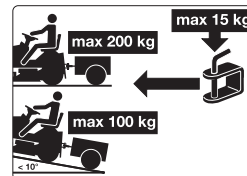


- 15 = **Vapori infiammabili** - Non avvicinare fiamme libere.
- 16 = Indossare occhiali protettivi.
- 17 = Tenere lontano dalla portata dei bambini.
- 18 = **Liquido corrosivo.** In caso di contatto lavare immediatamente con acqua e consultare un medico.
- 19 = Leggere le istruzioni d'uso.
- 20 = Rischio di esplosione.

1.4 PRESCRIZIONI PER IL TRAINO

A richiesta, è disponibile un kit per consentire il traino di un piccolo rimorchio; questo accessorio deve essere montato secondo le istruzioni fornite.

Nell'uso, non superare i limiti di carico riportati sull'etichetta e rispettare le norme di sicurezza, (☛ 1.2, C-6).



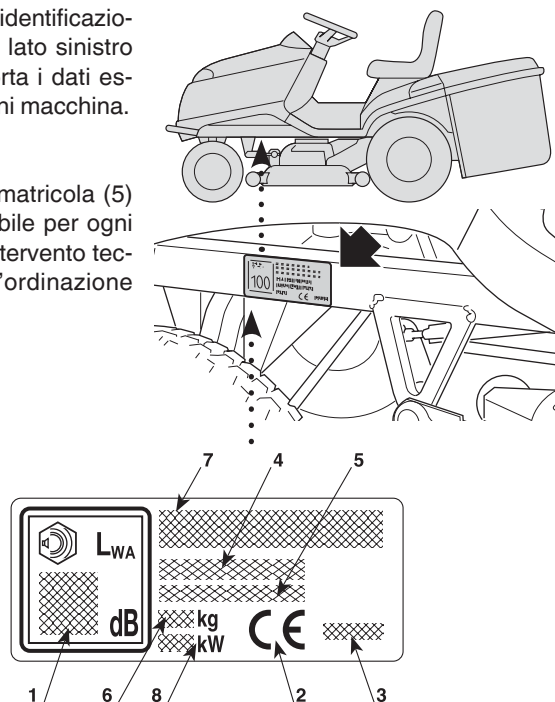
Peso totale trainabile: in piano: 200 kg o meno
in pendenza (10° o meno): 100 kg o meno

2. IDENTIFICAZIONE DELLA MACCHINA E DEI COMPONENTI

2.1 IDENTIFICAZIONE DELLA MACCHINA

L'etichetta di identificazione, posta sul lato sinistro del telaio, porta i dati essenziali di ogni macchina.

Il numero di matricola (5) è indispensabile per ogni richiesta di intervento tecnico e per l'ordinazione dei ricambi.



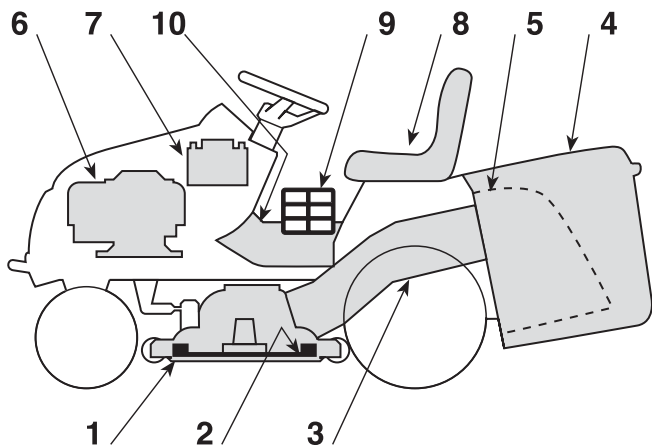
1. Livello potenza acustica secondo le direttive 2000/14/CE, 2005/88/CE
2. Marchio di conformità secondo le direttive 2006/42/CE, 2005/88/CE, 2014/30/EU
3. Anno di fabbricazione
4. Modello e tipo di macchina
5. Numero di matricola
6. Peso in kg (con serbatoio vuoto)
7. Il nome e l'indirizzo del Costruttore sono riportati nella "EC Declaration of Conformity" – CONTENT OUTLINE contenuta in questo Manuale di Istruzioni.
8. Potenza nominale del motore (a 2800 min⁻¹)

COME RICONOSCERE LA VOSTRA MACCHINA

In questo libretto sono descritte le operazioni di preparazione, uso e manutenzione di una gamma di macchine che presentano alcune differenze fra loro; pertanto è importante che identifichiate con certezza il modello della vostra macchina per poter seguire correttamente tutte le informazioni che ad esso si riferiscono.

Il modello della vostra macchina è indicato nella "etichetta di identificazione" al punto 4 ed è composto da una serie di lettere e numeri.

Nelle pagine seguenti di questo libretto, ogni operazione riguardante uno o più modelli specifici è preceduta dall'indicazione dei modelli ai quali si riferisce; nel caso non compaia alcuna indicazione, tale descrizione è da ritenersi valida per tutti i modelli.



2.2 IDENTIFICAZIONE DEI COMPONENTI PRINCIPALI

La macchina è composta da una serie di componenti principali, a cui corrispondono le seguenti funzionalità:

- 1. Assieme dispositivi di taglio:** è il carter che racchiude i dispositivi di taglio rotanti.
- 2. Dispositivi di taglio:** sono gli elementi preposti al taglio dell'erba; le alette poste all'estremità favoriscono il convogliamento dell'erba tagliata verso il canale d'espulsione.
- 3. Canale d'espulsione:** è l'elemento di collegamento fra l'assieme dispositivi di taglio e il sacco di raccolta.
- 4. Sacco di raccolta:** oltre alla funzione di raccogliere l'erba tagliata, costituisce un elemento di sicurezza, impedendo ad eventuali oggetti raccolti dai dispositivi di taglio di essere scagliati lontano dalla macchina.
- 5. Protezione di scarico posteriore (disponibile a richiesta):** montato al posto del sacco di raccolta, impedisce ad eventuali oggetti raccolti dai dispositivi di taglio di essere scagliati lontano dalla macchina.
- 6. Motore:** fornisce il movimento sia dei dispositivi di taglio che della trazione alle ruote;
- 7. Batteria:** fornisce l'energia per l'avviamento del motore; le sue caratteristiche e norme d'uso sono descritte in uno specifico libretto.
- 8. Sedile di guida:** è la postazione di lavoro dell'operatore ed è dotato di un sensore che ne rileva la presenza ai fini dell'intervento dei dispositivi di sicurezza.
- 9. Etichette di prescrizioni e sicurezza:** rammentano le principali disposizioni per lavorare in sicurezza e il loro significato è spiegato nel cap. 1.
- 10. Sportello di ispezione:** per accedere ad alcune regolazioni.

3. SBALLAGGIO E COMPLETAMENTO

Per motivi di magazzinaggio e trasporto, alcuni componenti della macchina non sono assemblati in fabbrica, ma devono essere montati dopo la rimozione dall'imballo, seguendo le istruzioni seguenti.

ATTENZIONE! *Lo sballaggio e il completamento del montaggio devono essere effettuati su una superficie piana e solida, con spazio sufficiente alla movimentazione della macchina e degli imballi, avvalendosi sempre degli attrezzi appropriati. Non utilizzare la macchina prima di aver portato a termine le indicazioni della sezione "MONTAGGIO".*

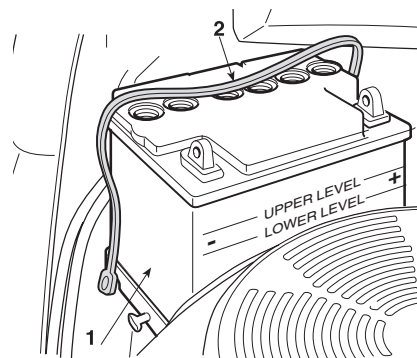
3.1 ATTIVAZIONE E COLLEGAMENTO DELLA BATTERIA

IMPORTANTE BATTERIA A CARICA SECCA!

La batteria (1) è alloggiata dietro al motore, ed è trattenuta da un tirante elastico (2).

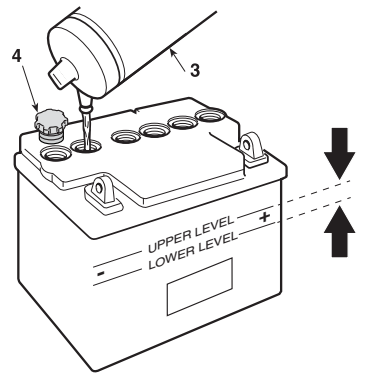
Sganciare il tirante elastico (2), e rimuovere la batteria.

Togliere il nastro di sigillo e versare la soluzione elettrolitica (3) (Acido solforico diluito non fornito: peso specifico 1,280 oppure 31,5° Baumé) ripartendola uniformemente fra i sei elementi, fino a raggiungere come livello il riferimento "UPPER LEVEL" riportato sulla batteria.



IMPORTANTE *Al momento del riempimento, la soluzione elettrolitica non deve superare i 30°C/86°F.*

Lasciare la batteria in posizione di riposo per almeno mezz'ora dopo il riempimento. Il livello della soluzione elettrolitica dovrà calare. Versare nuovamente la soluzione elettrolitica fino al livello di riferimento "UPPER LEVEL".



Il livello deve sempre essere compreso tra i riferimenti "UPPER LEVEL" e "LOWER LEVEL" riportati sulla batteria.

Posizionare e avvitare i sei tappi (4) forniti in dotazione e provvedere alla carica della batteria.

IMPORTANTE *Dopo aver attivato la batteria, provvedere sempre alla carica completa, rivolgendosi al vostro Concessionario, che dispone delle apparecchiature adeguate. Il carica batterie fornito in dotazione NON è in grado di eseguire la prima carica dopo l'attivazione.*

Collegare prima il cavo rosso (5) al polo positivo (+) e successivamente il cavo nero (6) al polo negativo (-), utilizzando le viti in dotazione come indicato. Spalmare i morsetti con del grasso silconico e curare il corretto posizionamento del cappuccio di protezione del cavo rosso (5).

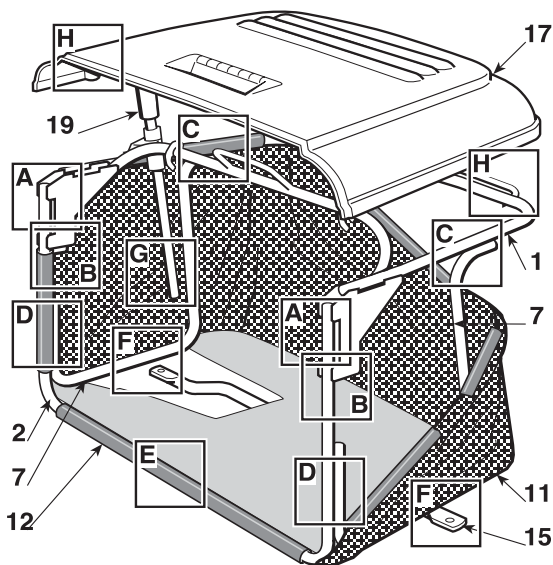
IMPORTANTE Per evitare l'intervento della protezione della scheda elettronica, evitare assolutamente di avviare il motore prima della completa ricarica!

ATTENZIONE! L'acido della batteria è corrosivo e inquinante. Usare guanti protettivi nella manipolazione e procedere all'eventuale smaltimento rispettando le normative vigenti.

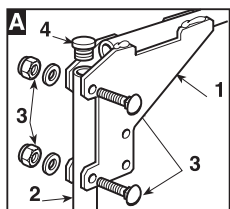
IMPORTANTE Utilizzare SOLO la batteria specifica mod. CNB 31500-VK1-810-M1.

3.2 MONTAGGIO DEL SACCO DI RACCOLTA

A) Unire la parte superiore del telaio (1) all'elemento anteriore (2),

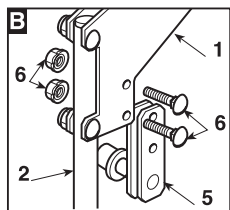


utilizzando le viti e i dadi in dotazione (3) come indicato. Introdurre i due tappi in gomma (4) nei fori del tubo del telaio anteriore (2).



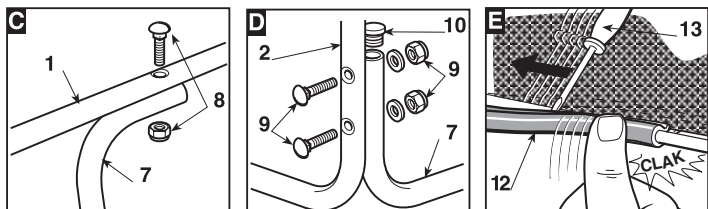
HF2...HT

B) Prima di bloccare a fondo i dadi (3), inserire fra le piastre del telaio superiore (1) i due supporti (5), con i rulli rivolti all'interno, e fissarli con le viti e i dadi (6); quindi bloccare a fondo i dadi (3).



C-D) Montare i due elementi laterali (7), utilizzando le viti e i dadi (8 e 9) come indicato. Introdurre i due tappi in gomma (10) nei fori dei due elementi laterali (7)

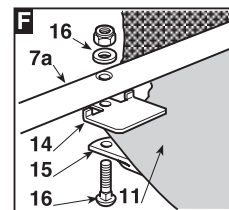
E) Inserire il telaio



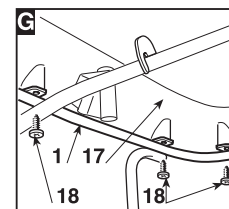
così montato nell'involucro in tela (11), curandone il corretto posizionamento lungo il perimetro di base. Agganciare tutti i profili in plastica (12) ai tubi del telaio, aiutandosi con un cacciavite (13).

HF2...HB **HF2...HM**

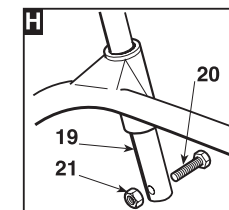
F) Inserire la piastrina (14) fra la tela e la parte inferiore dell'elemento laterale destro (7a) del telaio, facendo coincidere i fori.



F) Montare il traversino di rinforzo (15) sotto il telaio tramite le viti e i dadi (16), tenendo la parte piatta rivolta verso la tela.



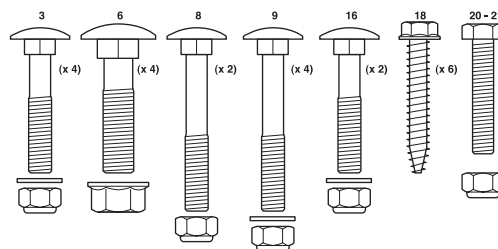
G) Montare la copertura (17), fissandola alla parte superiore del telaio (1) per mezzo di sei viti (18).



HF2...HB **HF2...HM**

H) Introdurre la leva di svuotamento (19) nella sua sede e montare la vite di arresto (20) con il relativo dado (21).

3.3 MONTAGGIO DEI SUPPORTI DEL



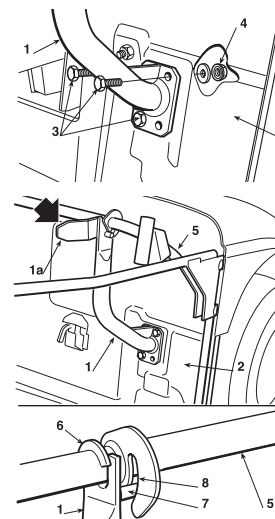
SACCO DI RACCOLTA

Montare i due supporti (1) sulla piastra posteriore (2), utilizzando per ciascun supporto tre viti (3) in dotazione, come indicato, senza bloccare i relativi dadi (4).

I supporti (1) devono essere montati in modo che le alette (1a) risultino rivolte verso l'interno.

Agganciare ai supporti la parte superiore (5) del telaio del sacco di raccolta e centrarla rispetto alla piastra posteriore (2).

Registrare la posizione dei due supporti (1) rispetto alla battuta (6) in modo che, ruotando il telaio del sacco di raccolta, il perno (7) si impegni correttamente nella sede (8).

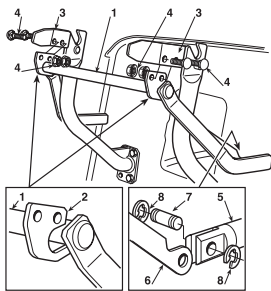


Accertare ancora una volta che il telaio (5) sia ben centrato rispetto alla piastra posteriore (2) e che il movimento di rotazione avvenga regolarmente, come sopra indicato, quindi serrare a fondo le viti (3) e i dadi (4) di fissaggio.

3.4 MONTAGGIO DELLE LEVE DI RIBALTAMENTO DEL SACCO DI RACCOLTA

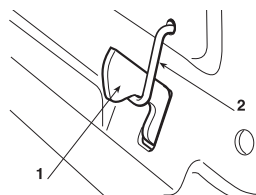
▶ **HF2...HT**

- Posizionare l'asse delle leve (1) nell'incavo delle due piastrine (2) e fissarle all'interno dei supporti del sacco di raccolta (3), utilizzando le viti e i dadi (4) in dotazione nella sequenza indicata nella figura.
- Collegare l'estremità dell'asta (5) del pistone di sollevamento alla leva (6) per mezzo del perno (7) e montare i due anelli elastici (8).
- Prima di montare il sacco di raccolta sui supporti, accertare che il movimento delle leve di ribaltamento avvenga regolarmente.

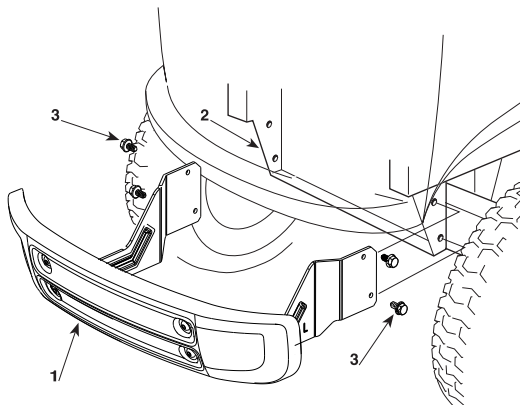


3.5 RIMOZIONE DEL FERMO DELL'ARPIONE DI AGGANCIAMENTO DEL SACCO DI RACCOLTA

Per motivi di trasporto, l'arpione (1) di aggancio del sacco di raccolta è bloccato alla piastra posteriore per mezzo del fermo (2). Questo fermo deve essere rimosso prima di procedere al montaggio dei supporti del sacco di raccolta e non deve più essere utilizzato.

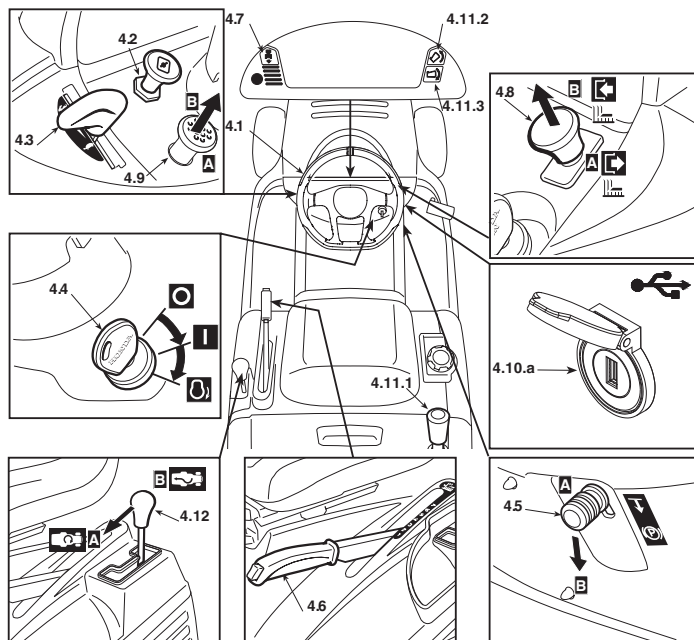


3.6 MONTAGGIO DEL PARAURTI ANTERIORE



Montare il paraurti anteriore (1) sulla parte inferiore del telaio (2) utilizzando le quattro viti (3).

4. COMANDI E STRUMENTI DI CONTROLLO



4.1 VOLANTE DI GUIDA

Comanda la sterzata delle ruote anteriori.

4.2 COMANDO CHOKE

Si utilizza per l'accensione del motore a freddo. Provoca un arricchimento della miscela, e deve essere utilizzato solo per il tempo strettamente necessario, in caso di avviamento a freddo.

4.3 LEVA ACCELERATORE

Regola la velocità motore. Le posizioni, indicate dalla targhetta, corrispondono a:

- ☰ «LENTO» regime minimo del motore
- ☑ «VELOCE» regime massimo del motore

- Durante i percorsi di trasferimento scegliere una posizione intermedia fra «LENTO» e «VELOCE».
- Durante il taglio dell'erba portare la leva su «VELOCE».

4.4 COMMUTATORE A CHIAVE

Questo comando a chiave ha tre posizioni corrispondenti a:

- «ARRESTO» tutto spento;
- I «MARCIA» tutti i servizi attivati;
- ☑ «AVVIAMENTO» Inserisce il motorino di avviamento e il motore si avvia.

Rilasciando la chiave dalla posizione «AVVIAMENTO», questa torna automaticamente in posizione «MARCIA».

4.5 LEVA FRENO DI STAZIONAMENTO

Il freno di stazionamento impedisce alla macchina di muoversi dopo averla parcheggiata. La leva di innesto ha due posizioni, corrispondenti a:

↓ «A» = Freno disinserito

Ⓟ «B» = Freno inserito

- Per inserire il freno di stazionamento premere a fondo il pedale (4.21) e portare la leva in posizione «B»; quando si solleva il piede dal pedale, questo rimane bloccato in posizione abbassata.
- La condizione di “Freno inserito” è segnalata dall'accensione della spia (4.13.e).
- Per disinserire il freno di stazionamento, premere il pedale (4.21) e la leva si riporta in posizione «A».

4.6 LEVA REGOLAZIONE ALTEZZA TAGLIO

Mediante questa leva si effettua il sollevamento e l'abbassamento dell'assieme dispositivi di taglio che può essere posizionato a 7 diverse altezze di taglio.

1

7



Le sette posizioni sono indicate da «1» a «7» sulla relativa targhetta, corrispondenti ad altrettante altezze di taglio, i cui valori sono indicati nella tabella “Caratteristiche tecniche” (☛ cap. 10).

- Per passare da una posizione all'altra occorre premere il pulsante di sblocco posto sull'estremità.

4.7 PULSANTE CONSENSO TAGLIO IN RETROMARCIA



Tenendo premuto il pulsante, è possibile retrocedere con i dispositivi di taglio innestati, senza provocare l'arresto del motore.

4.8 COMANDO INNESTO E FRENO DEI DISPOSITIVI DI TAGLIO

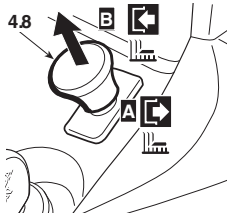
Questo comando permette l'innesto dei dispositivi di taglio tramite una frizione elettromagnetica:



«A» Premuto = Dispositivi di taglio disinnestati



«B» Tirato = Dispositivi di taglio innestati



- La condizione di “Dispositivi di taglio innestati” è segnalata dall'accensione della spia (☛ 4.13.g).
- Se i dispositivi di taglio vengono innestati senza rispettare le condizioni di sicurezza previste, il motore si spegne o non può essere avviato (☛ 5.2).
- Disinnestando i dispositivi di taglio (Pos. «A»), viene contemporaneamente azionato un freno che ne arresta la rotazione entro alcuni secondi.
- L'inserimento dei dispositivi di taglio in retromarcia è possibile solo tenendo premuto il pulsante 4.7.

4.9 DISPOSITIVO DI MANTENIMENTO DELLA VELOCITÀ (CRUISE CONTROL)



HF2417HM•

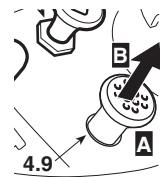
HF2417HT•

HF2625H♦•

- Questo dispositivo permette di mantenere la velocità voluta in marcia avanti, senza che sia necessario tenere premuto il pedale (4.22).
- Il comando a fungo ha due posizioni:



1. «A» = Premuto. Dispositivo disinserito (non attivo)
2. «B» = Tirato. Dispositivo inserito (attivo)



- – Inserendo il dispositivo mentre si procede in marcia avanti, la macchina mantiene la velocità raggiunta in quel momento, senza necessità di azionare il pedale (4.22).
- – In retromarcia, non è possibile inserire il dispositivo.
- – Con il dispositivo inserito, non è possibile azionare il pedale retromarcia (fig. 4.23).
- – Nei tratti in salita o in discesa, la velocità può variare rispetto a quella impostata in piano.
- Per disinserire il dispositivo e ripristinare il comando della velocità di avanzamento tramite il pedale (4.22) è sufficiente
 - premere il pedale (4.22);
 - oppure
 - premere il pedale del freno (4.21).
- In entrambi i casi, il comando a fungo torna automaticamente in posizione «Premuto».

4.10.a PRESA AUSILIARIA PER ACCESSORI USB

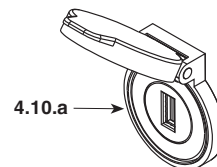


HF2417HM•

HF2417HT•

HF2625H♦•

- Questa presa può caricare i dispositivi USB. La sua funzione è solo di ricarica.
- La presa non ha funzione di comunicazione con il dispositivo USB collegato.



- La presa è sotto tensione solo quando la chiave (4.4) è in posizione «MARCIA».
- Ricaricare il dispositivo USB con motore in funzione altrimenti la batteria si scarica.
- Non ricaricare l'accessorio USB in condizioni di pioggia o umidità. L'utilizzo in suddette condizioni porta al decadimento della garanzia e declina il costruttore da ogni responsabilità nel caso di problemi.
- Non aprire il tappo della presa USB in condizione di pioggia o di zone polverose.
- Non utilizzare alcun apparecchio durante il trasferimento o durante il taglio.
- Prima di collegare l'apparecchiatura alla presa ausiliaria, assicurarsi di aver salvato tutti i dati contenuti. Se durante l'utilizzo della porta USB vengono cancellati dati, il costruttore declina ogni responsabilità.

4.10.b PORTA ACCESSORIO USB

▶ **HF2417HM• HF2417HT• HF2625H♦**

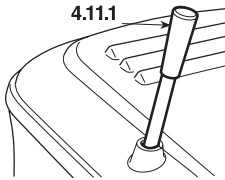
- Supporto per appoggiare l'accessorio USB.



4.11 COMANDO RIBALTAMENTO SACCO DI RACCOLTA

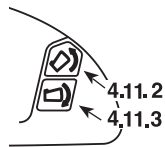
▶ **HF2...HB• HF2...HM•**

- Il ribaltamento del sacco di raccolta per lo svuotamento avviene tramite la leva (4.11.1), estraibile dalla sua sede.



▶ **HF2...HT•**

- Il ribaltamento del sacco di raccolta per lo svuotamento avviene premendo il pulsante (4.11.2), tenendolo premuto fino a che il sacco raggiunge la sua posizione più alta (5.4.6).



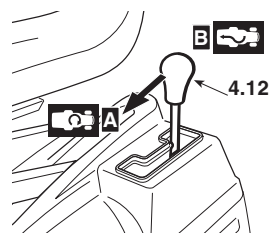
- Il sacco di raccolta ritorna in posizione di lavoro premendo il pulsante (4.11.3), tenendolo premuto fino all'aggancio dell'arpione e all'arresto del motorino di comando.

4.12 LEVA INSERIMENTO "MULCHING"

▶ **HF2417HM• HF2417HT•**

- Tramite la leva si inserisce la funzione "Mulching".

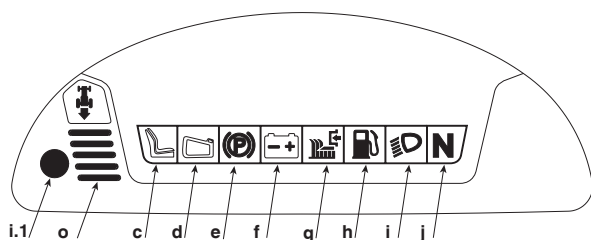
- «A» = funzione inserita
- «B» = funzione disinserita



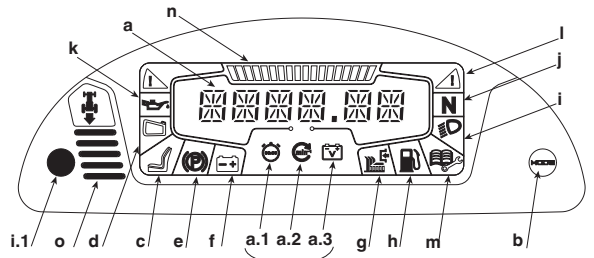
- L'azionamento della leva deve avvenire con il dispositivo di taglio disinnestato.
- Con la funzione "mulching" inserita occorre che siano sempre montate le protezioni all'uscita (sacco di raccolta o protezione di scarico) (5.3.5).

4.13 SPIE E DISPOSITIVI DI SEGNALAZIONE ACUSTICA SUL CRUSCOTTO

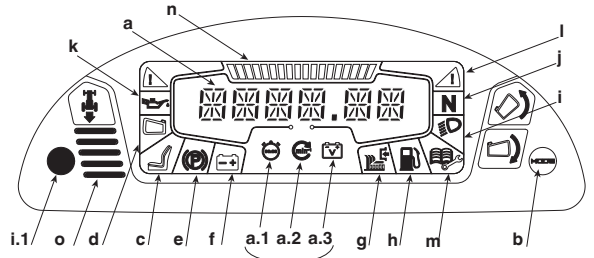
▶ **HF2317...•**



▶ **HF2417HB•/HM• HF2625HM•**



▶ **HF2417HT• HF2625HT•**



All'inserimento della chiave (4.4) in posizione «MARCIA», tutte le spie di segnalazione si attivano contemporaneamente per circa un secondo (con un breve segnale acustico) ad indicare il corretto funzionamento.

Il display (a) entra in modalità "informazioni" e, tramite il tasto MODE (b), si possono selezionare le seguenti funzioni:

- a.1) **Contatore:** I digits alfanumerici mostrano le ore di guida effettuate, suddivise in ore e decimi di ore. L'unità di misura è seguita dalla lettera h;

▶ **HF2625...•**

- a.2) **Contagiri:** indica il regime di rotazione del motore per mezzo di valori numerici. Valore visualizzato:
 - < 1600 min⁻¹ motore al minimo
 - > 2600 min⁻¹ velocità per i trasferimenti, velocità per il taglio




- a.3) **Voltmetro:** I digits alfanumerici mostrano la tensione della batteria.

Premere brevemente il tasto MODE e rilasciarlo per accendere in sequenza le icone a.1, a.2, a.3. Sui digits alfanumerici del display vengono visualizzati i dati associati all'icona selezionata, l'ultima cifra è riservata all'unità di misura.



Non utilizzare il valore del contagiri per impostare la velocità motore.

Successivamente, l'accensione di una spia segnala:

- c) l'operatore è assente;
- d) mancanza del sacco di raccolta;
 - Se lampeggia significa che il sacco di raccolta si è riempito e occorre svuotarlo.
- e) freno di stazionamento inserito;
- f) insufficiente ricarica della batteria: ricercare le cause nel cap. 7 del presente manuale;
 - Se lampeggia significa che la batteria sta raggiungendo la soglia di sovratensione; Arrestare subito la macchina, scollegare la batteria e rivolgersi ad un Centro di assistenza autorizzato.

- g)  dispositivi di taglio innestati;
- h)  carburante in riserva: indica che nel serbatoio ne sono rimasti circa 1,5 litri, sufficienti per circa 30-40 minuti di lavoro a regime;
- i)  fari accesi;
- i.1) Il sensore posto all'interno del cruscotto comanda l'accensione automatica dei fari (nei modelli che ne sono provvisti) dopo alcuni secondi di oscurità ed il loro spegnimento dopo alcuni secondi di luminosità. Per evitare accensioni indesiderate, occorre tener pulita la zona del sensore e non appoggiare stracci od oggetti sul cruscotto.
Il livello di luminosità dei fari potrebbe ridursi per pochi secondi per una caduta di tensione in fase di avviamento.

⚠ ATTENZIONE! *Non guardare direttamente il faro a LED. Può influenzare negativamente gli occhi.*

- j) **N** trasmissione in "folle".
- k)  anomalie nella lubrificazione del motore: occorre arrestare subito il motore, verificare il livello dell'olio motore (5.3.3) e, perdurando il problema, contattare il vostro Concessionario.
- l)  L'inclinazione della macchina ha raggiunto una pendenza non raccomandata.


NOTA Questa icona è solamente informativa e supporta l'utente nel riconoscere l'angolo di inclinazione della macchina. La spia potrebbe accendersi se vengono effettuate brusche partenze/arresti o improvvise sterzate. Evitare questi tipi di azioni.

NOTA Assemblare correttamente tutti i componenti seguendo le istruzioni di assemblaggio descritte nel manuale altrimenti la spia di inclinazione potrebbe non funzionare correttamente.

Il tempo di accensione dell'icona può essere influenzato dal peso dell'operatore, dal peso del sacco di raccolta a dalla pressione dei pneumatici.

E' possibile cambiare la tempistica di accensione della spia quando un accessorio opzionale viene montato. La calibrazione del sensore utilizzato per la funzione della spia va effettuata presso il vostro Concessionario in modo che funzioni correttamente.

NOTA Se le spie si accendono spesso in situazioni sbagliate, rivolgersi al vostro Concessionario (esempio, l'icona si accende con macchina in superficie piana o di bassa pendenza ecc.).

- m)  Manutenzione richiesta.
Contemporaneamente all'accensione della spia, sul display appare la soglia oraria di intervento, sottoforma di codice:
M20 = Intervallo di manutenzione a 20 ore
M50 = Intervallo di manutenzione a 50 ore
M100 = Intervallo di manutenzione a 100 ore
M300 = Intervallo di manutenzione a 300 ore

Le manutenzioni da seguire per ogni soglia oraria sono descritte al (6.2).

Il codice di manutenzione rimane visualizzato sul display fino all'accensione del motore o fino al cambio delle funzioni del display. La spia di manutenzione invece rimane accesa

indipendentemente dallo stato del motore o dalle funzioni del display.

Se vengono raggiunte contemporaneamente più soglie orarie di intervento, i relativi codici di manutenzione si alternano sul display ogni 2 secondi, in ordine ascendente.

Ripristinare l'operazione al termine di ogni manutenzione altrimenti sia il codice di intervento sia l'icona restano visualizzati nel display e l'intervallo di manutenzione non può essere conteggiato correttamente.

Per ripristinare l'operazione:

- Tenere premuto il tasto "MODE" (4.13.b) per più di 10 secondi, con la chiave in posizione di «MARCIA» e motore spento.


Il codice di manutenzione e l'icona verranno visualizzati nuovamente nel display al raggiungimento della soglia oraria di intervento successiva.

Se si effettua il ripristino delle indicazioni di manutenzione prima di aver raggiunto la soglia oraria di intervento, la tempistica di manutenzione viene comunque visualizzata al primo intervallo utile. In questo caso, ripristinare nuovamente l'operazione se la manutenzione è già stata effettuata in precedenza.

▶ HF2417...

- -
 -
 -
 -
 -
 -
 -
- Nel caso che le indicazioni di manutenzione non possano essere ripristinate immediatamente dopo l'arresto del motore, attendere fino a che la tensione della batteria scende sotto ai 12.7V. Dopodiché provare a verificare il codice di manutenzione.

▶ HF2625...

- -
 -
 -
 -
 -
 -
 -
- n)  Indicatore grafico giri motore: le tacche visualizzate nella scala grafica aumentano mano a mano che aumentano i giri motori.
L'indicatore grafico e il valore numerico sul display (a.2) cambiano contemporaneamente.

o) Il segnale acustico può essere:

- **continuo** segnala l'intervento della protezione della scheda elettronica; girare la chiave in posizione di «ARRESTO» per arrestare il segnale acustico.
- **intermittente** segnalazione di sacco pieno.

4.21 PEDALE FRENO

Questo pedale aziona il freno sulle ruote posteriori.

4.22 PEDALE MARCIA AVANTI

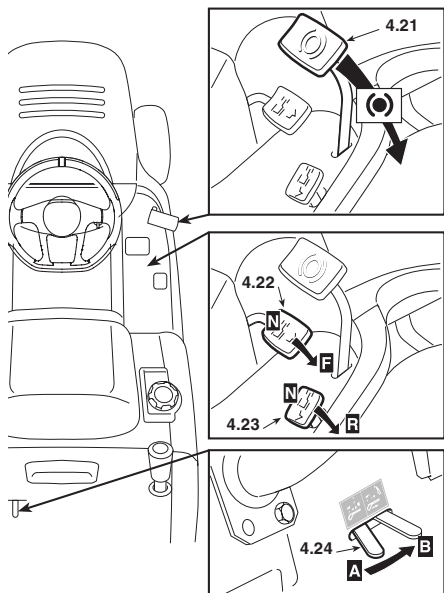
Tramite questo pedale si inserisce la trazione alle ruote posteriori in marcia avanti e si regola la velocità della macchina.

- Aumentando la pressione sul pedale aumenta progressivamente la velocità della macchina.
- Rilasciando il pedale, questo ritorna automaticamente in posizione di folle «N».
- La condizione di "Folle" «N» è segnalata dall'accensione della spia (4.13.j).

4.23 PEDALE RETROMARCIA

Tramite questo pedale si inserisce la trazione alle ruote in retromarcia e si regola la velocità della macchina.

- Aumentando la pressione sul pedale aumenta progressivamente la velocità della macchina.
- Rilasciando il pedale, questo ritorna automaticamente in posizione di folle «N».
- La condizione di «Folle» «N» è segnalata dall'accensione della spia (4.13.j).



ATTENZIONE! L'inserimento della retromarcia deve avvenire solo da fermo.

NOTA

Se uno dei pedali della trazione viene azionato con il freno di stazionamento (4.5) inserito, il motore si arresta.

4.24 LEVA DI SBLOCCO DELLA TRASMISSIONE IDROSTATICA

Questa leva ha due posizioni, indicate da una targhetta:



«A» = Trasmissione inserita: per tutte le condizioni di utilizzo, in marcia e durante il taglio;



«B» = Trasmissione sbloccata: riduce notevolmente lo sforzo richiesto per spostare la macchina a mano, a motore spento.

5. NORME D'USO

5.1 RACCOMANDAZIONI PER LA SICUREZZA

PERICOLO! Usare la macchina unicamente per gli scopi a cui è destinata (taglio e raccolta dell'erba).

Qualsiasi altro impiego è considerato come "uso improprio" e comporta il decadimento della garanzia e il declino di ogni responsabilità del Costruttore, riversando sull'utilizzatore gli oneri derivanti da danni o lesioni proprie o a terzi.

Rientrano nell'uso improprio (come esempio, ma non solo):

- trasportare sulla macchina o su un rimorchio altre persone, bambini o animali;
- trainare o spingere carichi senza l'utilizzo dell'apposito accessorio previsto per il traino;
- utilizzare la macchina per il passaggio su terreni instabili, scivolosi, ghiacciati, sassosi o sconnessi, pozzanghere o acquitrini che non permettano la valutazione della consistenza del terreno;
- utilizzare la macchina per la raccolta di foglie o detriti;
- azionare i dispositivi di taglio nei tratti non erbosi.

PERICOLO! Non manomettere o rimuovere i dispositivi di sicurezza di cui la macchina è dotata. RICORDARE CHE L'UTILIZZATORE È SEMPRE RESPONSABILE DEI DANNI ARRECATI A TERZI.

Prima di usare la macchina:

- leggere le prescrizioni generali di sicurezza (☛ 1.1), con particolare attenzione alla marcia e al taglio su terreni in pendenza;
- leggere attentamente le istruzioni d'uso, prendere familiarità con i comandi e su come arrestare rapidamente i dispositivi di taglio e il motore.
- non avvicinare mani o piedi accanto o sotto le parti rotanti e stare sempre lontani dall'apertura di scarico.

Non usare la macchina in precarie condizioni fisiche o sotto l'effetto di farmaci o sostanze in grado di ridurre i riflessi e la capacità di attenzione.

Rientra nella responsabilità dell'utilizzatore la valutazione dei rischi potenziali del terreno su cui si deve lavorare, nonché prendere tutte le precauzioni necessarie per garantire la sua e altrui sicurezza, in particolare su pendii, terreni accidentati, scivolosi o instabili.

Non lasciare la macchina ferma nell'erba alta con il motore in moto, per non rischiare di provocare incendi.

ATTENZIONE! Questa macchina non deve operare su pendenze superiori a 10° (17%) (☛ 5.5).

IMPORTANTE

Tutti i riferimenti relativi alle posizioni dei comandi sono quelli illustrati nel capitolo 4.

5.2 CRITERI DI INTERVENTO DEI DISPOSITIVI DI SICUREZZA

I dispositivi di sicurezza agiscono secondo due criteri:

- impedire l'avviamento del motore se tutte le condizioni di sicurezza non sono rispettate;
- arrestare il motore se anche una sola condizione di sicurezza viene a mancare.

Per avviare il motore occorre in ogni caso che:

- la trasmissione sia in "folle";
- i dispositivi di taglio siano disinnestati;
- l'operatore sia seduto.

Il motore si arresta quando:

- l'operatore abbandona il sedile;
- si solleva il sacco di raccolta o si toglie la protezione di scarico con dispositivi di taglio innestati;
- si inserisce la retromarcia con i dispositivi di taglio innestati. Questa eventualità si può escludere tenendo premuto il pulsante 4.7.
- si inserisce la marcia avanti o la retromarcia con il freno di stazionamento inserito.

La tabella seguente riporta alcune situazioni operative, con **eviden-**

OPERATORE	SACCO DI RACCOLTA	DISPOSITIVI DI TAGLIO	TRASMISSIONE	FRENO	MOTORE
A) QUADRO INSERITO (Chiave in posizione «MARCIA»)					
Seduto	SI	Disinnestati	«N»	Inserito	Fermo
Seduto	NO	Disinnestati	«N»	Disinserito	Fermo
B) AVVIAMENTO (Chiave in posizione «AVVIAMENTO»)					
Seduto	-/-	Disinnestati	F/R (**)	Inserito	NON si avvia
Seduto	-/-	Innestati	«N»	Inserito	NON si avvia
Assente	-/-	Disinnestati	«N»	Disinserito	NON si avvia
C) DURANTE LA MARCIA (Chiave in posizione «MARCIA»)					
Seduto	SI	Disinnestati	F/R (**)	Inserito	Si arresta
Assente	SI	Disinnestati	«N»	Disinserito	Si arresta
D) DURANTE IL TAGLIO DELL'ERBA (Chiave in posizione «MARCIA»)					
Seduto	NO	Innestati	-/-	Disinserito	Si arresta
Seduto	SI	Innestati	R	Disinserito	Si arresta*
Assente	SI	Disinnestati	«N»	Disinserito	Si arresta
Assente	SI	Innestati	-/-	Inserito	Si arresta

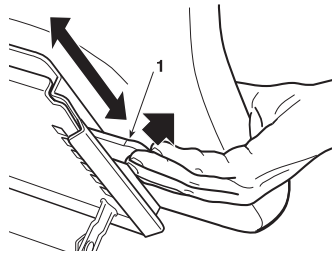
* Questa eventualità si può escludere tenendo premuto il pulsante 4.7

** F: marcia avanti innestata - R: retromarcia innestata

ziati i motivi dell'intervento.

5.3 OPERAZIONI PRELIMINARI PRIMA DI INIZIARE IL LAVORO

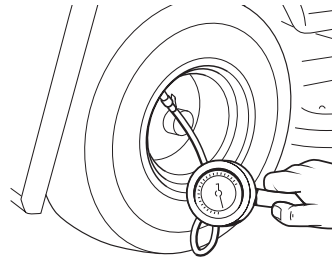
Prima di iniziare a lavorare, è necessario effettuare una serie di controlli e di operazioni, per assicurare che il lavoro si svolga in modo proficuo e nella massima sicurezza.



5.3.1 Regolazione del sedile

Il sedile è scorrevole e regolabile su sei posizioni diverse.

La regolazione si effettua sollevando la maniglia (1) e facendo scorrere il sedile fino a bloccarlo nella posizione desiderata.



5.3.2 Pressione dei pneumatici

Svitare i cappucci di protezione e collegare le valvoline ad una presa d'aria compressa munita di manometro.

La corretta pressione dei pneumatici è condizione essenziale per ottenere un perfetto allineamento dell'assieme dispositivi di taglio e quindi una rasatura uniforme del prato.

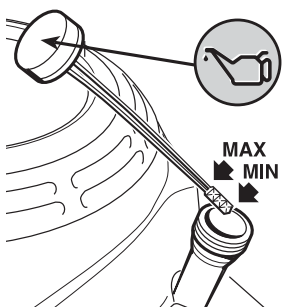
Le pressioni devono essere:

ANTERIORE	1.5 bar (13 x 5.00-6)
	1.0 bar (15 x 6.00-6)
POSTERIORE	1.2 bar

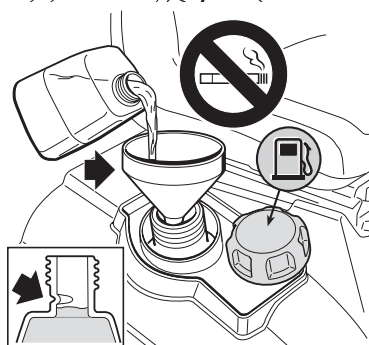
5.3.3 Rifornimento di olio e benzina

IMPORTANTE Usare olio SAE 10W30 e benzina senza piombo (verde) Euro 95.

IMPORTANTE Fare girare il motore con una quantità di olio insufficiente lo può danneggiare molto gravemente. L'uso di un olio non detergente o per motori a due tempi può ridurre la durata del motore.



Su una superficie piana e a motore fermo, rimuovere il tappo con l'astina di livello e asciugarla. Introdurla a fondo senza avvitare, quindi estrarla per verificare il livello dell'olio. Se il livello è vicino o sotto il limite inferiore (MIN) dell'astina, rabboccare con olio consigliato fino a raggiungere il limite superiore (MAX). Riavvitare il tappo con l'astina.



Fare il rifornimento di carburante utilizzando un imbuto.

Evitare di riempire completamente il serbatoio; il livello massimo è indicato sul collo del serbatoio.

Il contenuto del serbatoio è indicato nel capitolo 10.

IMPORTANTE I danni all'impianto di alimentazione o problemi di prestazioni del motore risultanti dalla negligenza nelle operazioni di rimessaggio, non sono coperti dalla garanzia.

NOTA Nel caso si fosse versata benzina sulla carrozzeria, ripulire immediatamente ogni traccia.

PERICOLO! Il rifornimento deve avvenire a motore spento in luogo aperto o ben aerato. Ricordare sempre che i vapori di benzina sono infiammabili! **NON AVVICINARE FIAMME ALLA BOCCA DEL SERBATOIO PER VERIFICARE IL CONTENUTO E NON FUMARE DURANTE IL RIFORNIMENTO.**

• Benzina contenente alcool

IMPORTANTE Se si utilizza benzina contenente alcool, accertarsi che il suo numero di ottano sia almeno uguale all'indice raccomandato dalla Honda (indice di ottano 86). Esistono due tipi di miscele benzina/alcool: uno contenente dell'etanolo e l'altro contenente del metanolo.

Specifiche del carburante necessarie al mantenimento delle prestazioni del sistema di regolazione delle emissioni: carburante E10 citato nella normativa UE.

Non utilizzare mai miscele benzina/alcool contenenti più del 10% di etanolo. Non utilizzare benzina con livello di metanolo (alcool metilico o alcool di legno) superiore al 5% e senza solventi o inibitori di corrosione per metanolo.

IMPORTANTE

- I danni causati al sistema di alimentazione del carburante o i problemi di prestazioni del motore che risultano dall'impiego di benzina contenente un livello di alcool superiore a quello consigliato, non sono coperti dalla garanzia.
 - Prima di rifornirsi in una stazione di servizio poco conosciuta, informarsi se la benzina contiene alcool e, se del caso, qual è il tipo di alcool utilizzato e in quale percentuale.
- Se durante l'uso di una specifica benzina vengono rilevati sintomi di funzionamento indesiderati, tornare ad una benzina il cui livello di alcool sia sicuramente inferiore alla quantità di alcool raccomandata.

5.3.4 Controllo del sistema frenante

Assicurarsi che la capacità di frenata della macchina sia adeguata alle condizioni di impiego, evitando di iniziare il lavoro se si nutrono dubbi sulla efficienza del freno. Nel caso di necessità, regolare il freno (6.3.4) e se permangono dubbi sulla sua efficienza, occorre consultare il vostro Concessionario.

5.3.5 Montaggio delle protezioni all'uscita (sacco di raccolta o protezione di scarico)

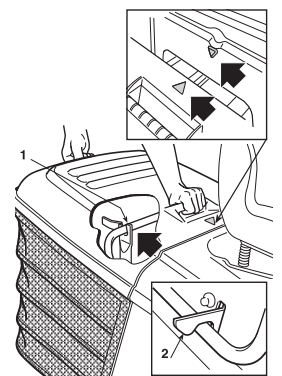
ATTENZIONE! Non utilizzare mai la macchina senza aver montato le protezioni all'uscita!

HF2...HT•

- Il montaggio delle protezioni deve avvenire con le leve di ribaltamento abbassate.

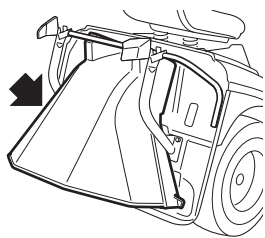
Agganciare il sacco di raccolta introducendo il tubo superiore del telaio nelle asole dei due supporti (1).

Per centrare correttamente il sacco di



raccolta, allineare i due simboli riportati sul sacco di raccolta e sulla piastra posteriore

Assicurarsi che il tubo inferiore della bocca del sacco di raccolta si agganci all'apposito arpione di fermo (2). Qualora l'aggancio risultasse difficoltoso o troppo lasco, regolare la molla di richiamo (☛ 6.3.6).



Nel caso si volesse lavorare senza il sacco di raccolta, è disponibile, a richiesta, un kit protezione di scarico (☛ 8.2) che deve essere fissato alla piastra posteriore come indicato nelle relative istruzioni.

5.3.6 Controllo della sicurezza e dell'efficienza della macchina

1. Verificare che i dispositivi di sicurezza agiscano come indicato (☛ 5.2).
2. Accertare che il freno funzioni regolarmente.
3. Non iniziare il taglio se i dispositivi di taglio vibrano o si hanno dubbi sull'affilatura; ricordare sempre che:
 - Un dispositivo di taglio male affilato strappa l'erba e provoca un ingiallimento del prato.
 - Un dispositivo di taglio allentato causa vibrazioni anomale e può causare pericolo.

⚠ ATTENZIONE! *Non usare la macchina se non si è sicuri della sua efficienza e sicurezza e contattare immediatamente il vostro Rivenditore per le necessarie verifiche o riparazioni.*

5.4 USO DELLA MACCHINA

5.4.1 Avviamento

⚠ PERICOLO! *Le operazioni di avviamento devono avvenire all'aperto o in luogo ben aerato! RICORDARE SEMPRE CHE I GAS DI SCARICO DEL MOTORE SONO TOSSICI!*

Per avviare il motore

- operatore seduto;
- mettere la trasmissione in folle («N») (☛ 4.22);
- disinnestare i dispositivi di taglio (☛ 4.8);
- inserire il freno di stazionamento, sui terreni in pendenza;
- nel caso di avviamento a freddo, azionare il comando Choke (☛ 4.2);
- nel caso di motore già caldo, è sufficiente posizionare la leva fra «LENTO» e «VELOCE»;
- inserire la chiave, ruotarla in posizione «MARCIA» per inserire il circuito elettrico, quindi portarla in posizione «AVVIAMENTO» per avviare il motore;
- rilasciare la chiave ad avviamento avvenuto.

A motore avviato, portare l'acceleratore in posizione di «LENTO».

IMPORTANTE *Il comando choke deve essere disinserito non appena il motore gira regolarmente; il suo impiego a motore già caldo può imbrattare la candela e causare un funzionamento irregolare del motore.*

NOTA *In caso di difficoltà di avviamento, non insistere a lungo con il motorino per evitare di scaricare la batteria e per non ingolfare il motore. Riportare la chiave in posizione «ARRESTO», attendere qualche secondo e ripetere l'operazione. Perdurando l'inconveniente, consultare il capitolo «7» del presente manuale ed il manuale d'istruzioni del motore.*

IMPORTANTE

Tener sempre presente che i dispositivi di sicurezza impediscono l'avviamento del motore quando non sono rispettate le condizioni di sicurezza (☛ 5.2). In questi casi, ripristinato il consenso all'avviamento, occorre riportare la chiave in «ARRESTO» prima di poter avviare nuovamente il motore.

5.4.2 Marcia avanti e trasferimenti

⚠ ATTENZIONE! *Questa macchina non è omologata per l'utilizzo su strade pubbliche. Il suo impiego (ai sensi del Codice della Strada) deve avvenire esclusivamente in aree private chiuse al traffico.*

Durante i trasferimenti:

- disinnestare i dispositivi di taglio;
- portare l'assieme dispositivi di taglio in posizione di massima altezza (posizione «7»);

Portare la leva dell'acceleratore in una posizione intermedia fra «LENTO» e «VELOCE».

Disinserire il freno di stazionamento e rilasciare il pedale del freno (☛ 4.21).

Premere il pedale della trazione in avanti (☛ 4.22) e raggiungere la velocità voluta graduando la pressione sul pedale stesso e agendo opportunamente sull'acceleratore.

⚠ ATTENZIONE! *L'inserimento della trazione deve avvenire secondo le modalità già descritte (☛ 4.22) per evitare che un innesto troppo brusco possa causare l'impennamento e la perdita di controllo del mezzo, specialmente sui pendii.*

5.4.3 Frenatura

Rallentare dapprima la velocità della macchina riducendo i giri del motore, quindi premere il pedale del freno (☛ 4.21) per ridurre ulteriormente la velocità, fino ad arrestarsi.

NOTA

Un rallentamento sensibile della macchina si ottiene già rilasciando il pedale della trazione in avanti o in retromarcia.

5.4.4 Retromarcia

L'innesto della retromarcia DEVE sempre avvenire da fermo.

Arrestata la macchina, iniziare la retromarcia premendo il pedale di trazione nella direzione «R» (☛ 4.23).

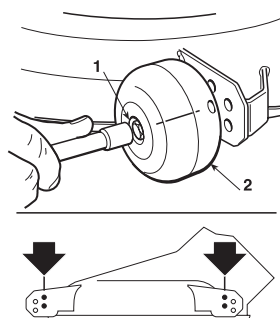
5.4.5 Taglio dell'erba

Raggiunto il prato da tagliare, assicurarsi che il sacco di raccolta o la protezione di scarico siano correttamente montati.

▶ HF24♦♦♦♦

HF26♦♦♦♦

- La funzione dei ruotini antiscalpo è quella di mantenere sempre uno spazio fra il terreno e il bordo dell'assieme dispositivi di taglio per evitare che quest'ultimo possa danneggiare il prato nel caso di irregolarità nel terreno.
- Ciascun ruotino antiscalpo



dell'assieme dispositivi di taglio può essere montato a due altezze diverse: nella posizione più bassa esplica la sua funzione di mantenimento di spazio; nella posizione più alta la sua efficacia viene esclusa.

Per cambiare la posizione svitare e sfilare il perno (1) e riposizionare il ruotino (2) nel foro superiore o inferiore della fila indicata nella figura.

⚠ ATTENZIONE! Questa operazione va eseguita sempre sui quattro ruotini, A MOTORE SPENTO E DISPOSITIVI DI TAGLIO DISINNESTATI.

Per iniziare il taglio:

- portare l'acceleratore in posizione «VELOCE»;
- portare l'assieme dispositivi di taglio in posizione di massima altezza;
- innestare i dispositivi di taglio (☛ 4.8);
- iniziare l'avanzamento nella zona erbosa in modo molto graduale e con particolare cautela, come già descritto precedentemente
- regolare la velocità di avanzamento e l'altezza di taglio (☛ 4.6) secondo le condizioni del prato (altezza, densità e umidità dell'erba); su terreni pianeggianti si possono seguire queste indicazioni di massima:

Erba alta e densa - prato umido	2,5 km/h
Erba in condizioni medie	4 ... 6 km/h
Erba bassa - prato asciutto	oltre 6 km/h

L'adeguamento della velocità è ottenuto in modo graduale e progressivo dalla pressione esercitata sul pedale di trazione.

⚠ ATTENZIONE! Nei tagli su terreni in pendenza occorre ridurre la velocità di avanzamento per garantire le condizioni di sicurezza (☛ 1.2 - 5.5).

In ogni caso occorre ridurre la velocità ogni volta che si avverte un calo di giri del motore, tenendo presente che non si otterrà mai un buon taglio dell'erba se la velocità di avanzamento è troppo alta in relazione alla quantità di erba tagliata.

Disinnestare i dispositivi di taglio e portare l'assieme dispositivi di taglio in posizione di massima altezza ogni volta che si rendesse necessario superare un ostacolo.

5.4.6 Svuotamento del sacco di raccolta

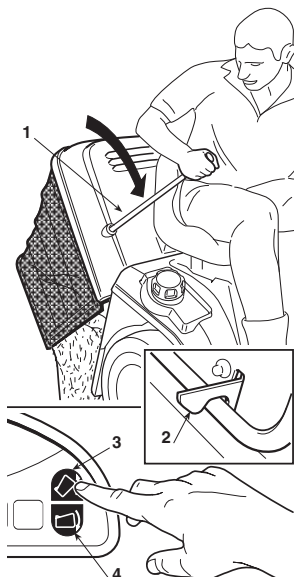
Non lasciare che il sacco di raccolta si riempia troppo, per evitare di intasare il convogliatore di scarico.

Un segnale acustico intermittente ed il lampeggio della spia (4.13.d) segnalano il riempimento del sacco di raccolta; a questo punto:

- ridurre il regime del motore;
- mettere in folle (N) (☛ 4.22 oppure 4.23) ed arrestare l'avanzamento;
- inserire il freno di stazionamento sui pendii;
- disinnestare i dispositivi di taglio (☛ 4.8) e il segnale si interrompe.

▶ **HF2...HB** **HF2...HM**

NOTA Lo svuotamento del sacco di raccolta è eseguibile solo con i dispositivi di taglio disinnestati; in caso contrario, si arresterebbe il motore.

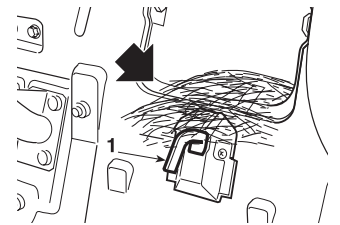


- Estrarre la leva (1) (☛ 4.11.1) e ribaltare il sacco di raccolta per svuotarlo;
- richiudere il sacco di raccolta in modo che resti agganciato all'arpione di fermo (2) e riporre la leva (1).

▶ **HF2...HT**

NOTA Il comando del ribaltamento del sacco di raccolta agisce solo con i dispositivi di taglio disinnestati

- con l'operatore seduto, tenere premuto il pulsante (3) (☛ 4.11.2) fino al completo ribaltamento del sacco di raccolta;
- completato lo svuotamento, tenere premuto il pulsante (4) (☛ 4.11.3) fino alla completa discesa del sacco di raccolta, controllando che rimanga agganciato all'arpione di fermo (2).



NOTA Può succedere che, dopo aver svuotato il sacco di raccolta, il segnale acustico si riattivi al momento dell'innesto dei dispositivi di taglio, a causa di residui d'erba rimasti sul tastatore (1) del micro di segnalazione; in tal caso è sufficiente disinnestare e subito innestare nuovamente i dispositivi di taglio per farlo cessare. Se il segnale acustico persiste, arrestare il motore, togliere il sacco di raccolta e rimuovere eventuali accumuli d'erba dal tastatore (1).

5.4.7 Svuotamento del canale d'espulsione

Un taglio d'erba molto alta o bagnata, unito ad una velocità di avanzamento troppo elevata, può causare l'intasamento del canale d'espulsione. In caso di intasamento occorre:

- arrestare l'avanzamento, disinnestare i dispositivi di taglio e arrestare il motore;
- togliere il sacco di raccolta o la protezione di scarico;
- rimuovere l'erba accumulata, agendo dalla parte dell'apertura di scarico del canale d'espulsione.

⚠ ATTENZIONE! Questa operazione deve sempre avvenire a motore spento.

5.4.8 Funzione "Mulching"

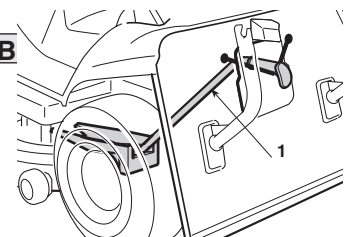
La funzione "Mulching" consiste nel riciclare l'erba all'interno dell'assieme dispositivi di taglio e contemporaneamente ridurla in fili finemente tritati, spargendoli regolarmente sul prato.

Se l'erba tagliata viene scaricata attorno all'assieme dispositivi di taglio o dispersa in mucchietti durante l'operazione di mulching, è possibile che l'erba sia troppo lunga o che la misura di taglio sia eccessiva. La misura di taglio per il mulching deve essere impostata all'incirca a 1/3 dell'altezza dell'erba (massimo 10-13 cm prima del mulching).

▶ **HF2317...**

HF2417HB

Questo accessorio (disponibile a richiesta) deve essere montato come indicato nelle relative istruzioni.

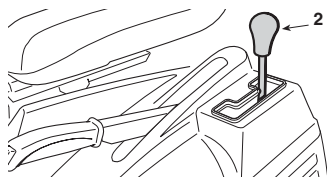


▶ **HF2417HM**

HF2417HT

HF2625H

- La macchina è dotata di un meccanismo che permette di passare dalla funzione raccolta dell'erba alla funzione mulching. Comprendere bene le condizioni di impiego delle due funzioni prima della loro applicazione.



- La funzione "Mulching" viene inserita o disinserita tramite un'apposita leva (2) (☛ 4.12).

- Azionare la leva della funzione mulching con il sacco di raccolta rimosso dalla macchina, per assicurarsi che funzioni liberamente e che non sia ostruita dall'erba che verrebbe a gestire il suo funzionamento.
- Se c'è erba davanti allo sportello, occorre toglierla con un bastone o simile attrezzo.

IMPORTANTE *Esercitare uno sforzo eccessivo sulla leva con il cavo non regolato correttamente o con depositi d'erba può causare la rottura del cavo o la deformazione del supporto causata dal carico eccessivo. Qualora si avvertisse uno sforzo eccessivo della leva, non forzare ma contattare il vostro Distributore.*

Dopo il taglio

Una volta completata la sessione di taglio giornaliera, è opportuno effettuare la pulizia dell'assieme dispositivi di taglio, del convogliatore di scarico e del sacco di raccolta dell'erba in modo da evitare inconvenienti e assicurare un funzionamento senza problemi la volta successiva in cui la macchina viene usata.

Fermare il motore, estrarre la chiave, applicare il freno di stazionamento e togliere il sacco di raccolta dell'erba.

Accertarsi che il convogliatore di scarico non sia ostruito da erba osservandolo attraverso l'apertura di scarico (se è ostruito, rimuovere l'erba).

5.4.9 Fine del taglio

Terminata la rasatura, disinnestare i dispositivi di taglio, ridurre il numero dei giri del motore ed effettuare il percorso di ritorno con l'assieme dispositivi di taglio in posizione di massima altezza.

5.4.10 Fine Lavoro

Arrestare la macchina, mettere la leva dell'acceleratore in posizione «LENTO» e spegnere il motore portando la chiave in posizione «ARRESTO».

Questa operazione provoca la chiusura automatica della valvola del carburante.

ATTENZIONE! *Togliere sempre la chiave prima di lasciare la macchina incustodita!*

5.4.11 Pulizia e rimessaggio

Riporre la macchina in un ambiente asciutto, al riparo dalle intemperie e, possibilmente, ricoprirla con un telo. Dopo ogni utilizzo, ripulire l'esterno della macchina, svuotare il sacco di raccolta e scuoterlo per ripulirlo dai residui d'erba e terriccio.

Ricercare ed eliminare ogni accumulo d'erba all'interno del vano motore e sopra l'assieme dispositivi di taglio, per mantenere il livello ottimale di efficienza della macchina.

ATTENZIONE! *Svuotare sempre il sacco di raccolta e non lasciare contenitori con l'erba tagliata all'interno di un locale.*

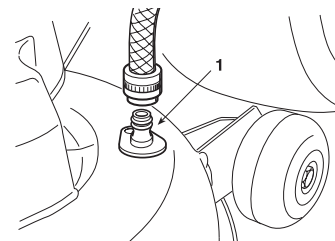
Ripassare le parti in plastica della carrozzeria con una spugna imbe-

vuta d'acqua e detersivo, facendo ben attenzione a non bagnare il motore, i componenti dell'impianto elettrico e la scheda elettronica posta sotto il cruscotto.

IMPORTANTE *Non usare mai lance a pressione o liquidi aggressivi per il lavaggio della carrozzeria e del motore!*

Il lavaggio dell'interno dell'assieme dispositivi di taglio e del canale d'espulsione deve essere eseguito su un pavimento solido, con:

- il sacco di raccolta o la protezione di scarico montata;
- l'operatore seduto;
- il motore in moto;
- la trasmissione in folle;
- il freno di stazionamento inserito;
- i dispositivi di taglio innestati.



Collegare alternativamente un tubo per l'acqua agli appositi raccordi (1), facendovi affluire dell'acqua per alcuni minuti ciascuno, con i dispositivi di taglio in movimento.

Durante il lavaggio è opportuno che l'assieme dispositivi di taglio si trovi completamente abbassato. Quindi, togliere il sacco di raccolta, svuotarlo, risciacquarlo e riporlo in modo da favorire una rapida asciugatura.

IMPORTANTE *Per non pregiudicare il buon funzionamento della frizione elettromagnetica:*

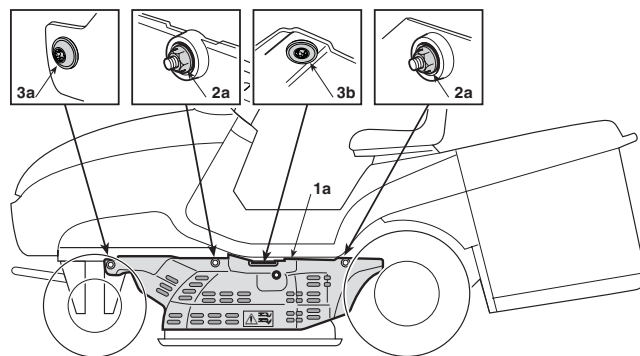
- evitare che la frizione venga a contatto con olio;
- non indirizzare getti d'acqua ad alta pressione direttamente sul gruppo frizione;
- non pulire la frizione con benzina.

5.4.12 Rimozione delle protezioni della cinghia e pulizia dell'assieme dispositivi di taglio

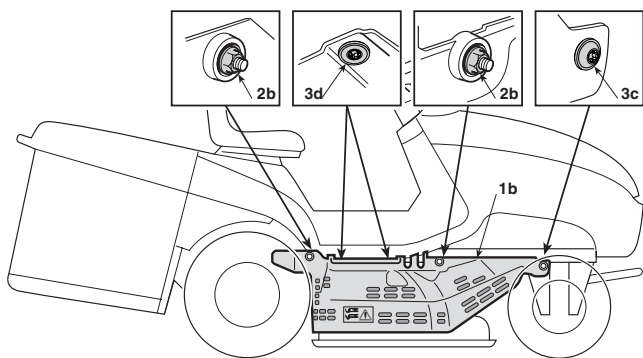
ATTENZIONE! *È necessario che sulla parte superiore dell'assieme dispositivi di taglio non si accumulino detriti e residui di erba essiccata, al fine di mantenere il livello ottimale di efficienza e di sicurezza della macchina. Tale operazione deve essere eseguita 2-3 volte all'anno e prima di lasciare la macchina inutilizzata per molto tempo (ad esempio, ma non solo, a fine stagione).*

ATTENZIONE! *Sulla vostra macchina sono montate due protezioni delle cinghie di trasmissione (una a destra e una a sinistra), allo scopo di impedire contatti accidentali durante l'utilizzo.*

HF2317



- La protezione sinistra (1a) è fissata da:
 - due dadi (2a), svitabili con una chiave da 10 mm.;
 - una vite anteriore (3a) e una vite centrale (3b), svitabili con una chiave Torx T30;
- La protezione destra (1b) è fissata da:



- due dadi (2b), svitabili con una chiave da 10mm.;
- una vite anteriore (3c) e due viti centrali (3d), svitabili con una chiave Torx T30.

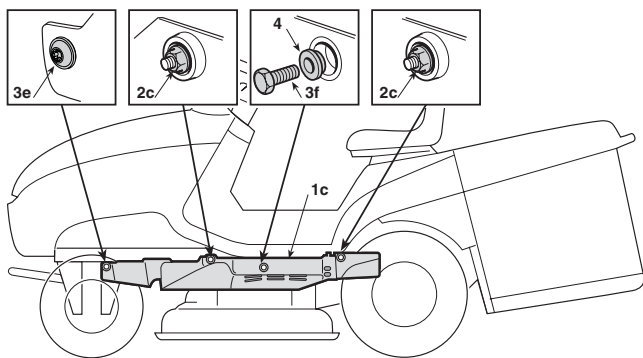
NOTA

Nel rimuovere la protezione sinistra (1a), prestare attenzione a non scollegare i tubi dal raccordo per il lavaggio dell'interno dell'assieme dispositivi di taglio.

Nel rimontare le protezioni sinistra e destra, riposizionare prima i dadi (2a) e (2b) e successivamente tutte le viti.

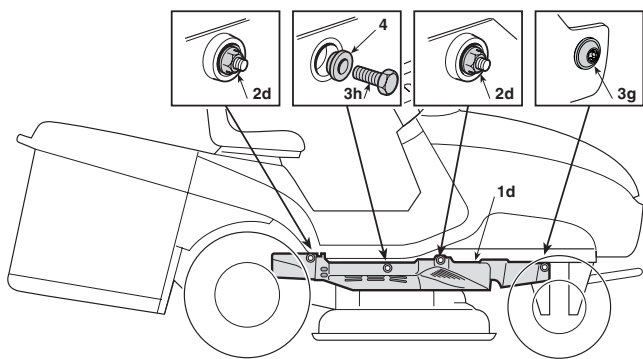


- La protezione sinistra (1c) è fissata da:
 - due dadi (2c) svitabili con una chiave da 10 mm.;



- una vite anteriore (3e) svitabile con una chiave Torx T30.
- una vite centrale (3f) con un distanziale (4), svitabili con una chiave da 10 mm.

- La protezione destra (1d) è fissata da:
 - due dadi (2d) svitabili con una chiave da 10 mm.;
 - una vite anteriore (3g) svitabile con una chiave Torx T30.
 - una vite centrale (3h) con un distanziale (4), svitabili con una



chiave da 10 mm.

Al montaggio delle protezioni sinistra e destra, avere cura di riposizionare correttamente i distanziali (4) sotto le viti (3f) e (3h).

Per rimuovere ciascuna protezione e pulire l'assieme dispositivi di taglio occorre:

- portare l'assieme dispositivi di taglio in posizione «1» (tutto abbassato);

- con le chiavi adeguate, svitare tutti i dadi e tutte le viti, sia a destra che a sinistra, e rimuovere le due protezioni sinistra e destra;
- utilizzando un getto di aria compressa, rimuovere detriti e residui d'erba dalla parte superiore dell'assieme dispositivi di taglio.

ATTENZIONE! *La macchina non deve essere usata se entrambe le protezioni non sono correttamente montate. Sostituire sempre le protezioni qualora risultassero danneggiate.*

5.4.13 Rimessaggio e inattività prolungata

Se si prevede un prolungato periodo di inattività (superiore a 1 mese), provvedere a scollegare il cavo di massa della batteria (nero). Lubrificare inoltre tutte le articolazioni, secondo quanto indicato (☛ 6.2.1).

ATTENZIONE! *Rimuovere accuratamente i depositi di erba secca eventualmente accumulatisi in prossimità del motore e del silenziatore di scarico; ciò per evitare possibili inneschi di incendio alla ripresa del lavoro!*

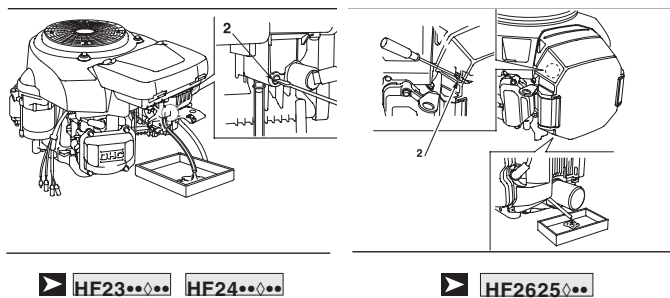
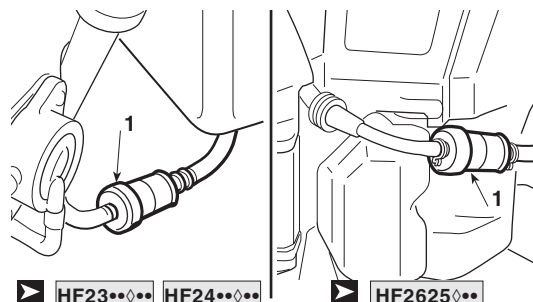
Svuotare il serbatoio carburante scollegando il tubo posto all'ingresso del filtrino della benzina (1).

Ricollegare il tubo della benzina.

Allentare la vite di scarico (2) del carburatore e scaricare il carburante in un contenitore adatto. Avvitare la vite di scarico.

Rimuovere le due candele e versare un cucchiaino di olio motore pulito nei cilindri. Far girare il motore da 1 a 2 secondi tramite il motorino d'avviamento, ruotando la chiave di contatto. Questo permetterà di distribuire uniformemente l'olio nei cilindri.

Rimontare le candele (☛ 6.4.5).



PERICOLO! *La benzina è altamente infiammabile. Conservare il carburante in appositi contenitori. Rimettere sempre e serrare bene i tappi del serbatoio e del contenitore della benzina.*

IMPORTANTE *La batteria deve essere conservata in un luogo fresco e asciutto. Prima di un lungo periodo di inattività (superiore a 1 mese), ricaricare sempre la batteria solo con l'apposito carica batterie fornito con la macchina e provvedere alla ricarica prima di riprendere l'attività (☛ 6.2.3).*

Alla ripresa del lavoro, accertarsi che non vi siano perdite di benzina dai tubi e dal carburatore.

5.4.14 Dispositivo di protezione della scheda

La scheda elettronica è munita di una protezione autoripristinante che interrompe il circuito in caso di anomalie nell'impianto elettrico; l'intervento provoca l'arresto del motore ed è segnalato da un segnale acustico che si disattiva solo togliendo la chiave.

Il circuito si ripristina automaticamente dopo qualche secondo; ricercare e rimuovere le cause del guasto per evitare il ripetersi delle interruzioni.

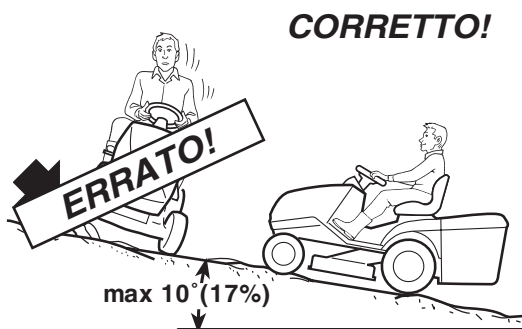
IMPORTANTE Per evitare l'intervento della protezione:

- non invertire la polarità della batteria;
- non far funzionare la macchina senza la batteria, per non causare anomalie nel funzionamento del regolatore di carica;
- fare attenzione a non causare corto circuiti.

5.5 USO SU TERRENI IN PENDENZA

Rispettando i limiti indicati (**max 10° - 17%**), i prati in pendenza devono essere percorsi nel senso salita/discesa e mai di traverso, facendo molta attenzione nei cambi di direzione a che le ruote a monte non incontrino ostacoli (sassi, rami, radici, ecc.) che potrebbero causare lo scivolamento laterale, il ribaltamento o la perdita di controllo del mezzo.

L'icona (4.13.I) indica che l'angolo di inclinazione della macchina si avvicina al limite di pendenza raccomandato.



PERICOLO! RIDURRE LA VELOCITÀ PRIMA DI QUALSIASI CAMBIAMENTO DI DIREZIONE SUI TERRENI IN PENDENZA, e inserire sempre il freno di stazionamento prima di lasciare la macchina ferma e incustodita.

ATTENZIONE! Nei terreni in pendenza occorre iniziare la marcia avanti con particolare cautela per evitare l'impennamento della macchina. Ridurre la velocità d'avanzamento prima di affrontare un pendio, specialmente in discesa.

PERICOLO! Non inserire mai la retromarcia per ridurre la velocità in discesa: questo potrebbe causare la perdita di controllo del mezzo, specialmente su terreni scivolosi.

Percorrere le discese senza azionare il pedale della trazione (☛ 4.22), al fine di sfruttare l'effetto frenante della trasmissione idrostatica, quando la trasmissione non è inserita.

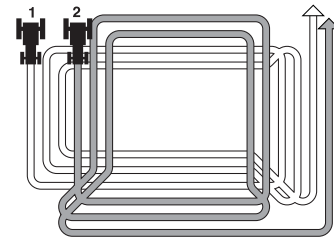
5.6 POSIZIONE DI TRASPORTO

ATTENZIONE! Se la macchina deve essere trasportata su un camion o un rimorchio, utilizzare rampe di accesso con resistenza, larghezza e lunghezza adeguate. Caricare la macchina con il motore spento, senza conducente e unicamente a spinta, impiegando un adeguato numero di persone. Durante il trasporto, abbassare l'assieme dispositivi

di taglio, inserire il freno di stazionamento e assicurare adeguatamente la macchina al mezzo di trasporto mediante funi o catene.

5.7 ALCUNI CONSIGLI PER ESEGUIRE UN BUON TAGLIO

1. Per mantenere un prato di bell'aspetto, verde e soffice, è necessario che sia tagliato regolarmente e senza traumatizzare l'erba.
2. È sempre preferibile tagliare l'erba con il prato ben asciutto.
3. I dispositivi di taglio devono essere integri e ben affilati, in modo che la recisione sia netta e senza sfrangiature che portano ad un ingiallimento delle punte.
4. Il motore deve essere utilizzato al massimo dei giri, sia per assicurare un taglio netto dell'erba che per ottenere una buona spinta dell'erba tagliata attraverso il canale d'espulsione.
5. La frequenza delle rasature deve essere rapportata alla crescita dell'erba, evitando che tra un taglio e l'altro l'erba cresca troppo.
6. Nei periodi più caldi e secchi è opportuno tenere l'erba leggermente più alta, per ridurre il disseccamento del terreno.
7. Se l'erba è molto alta è meglio eseguire il taglio in due passate, a distanza di un giorno; la prima con i dispositivi di taglio ad altezza massima ed eventualmente a scia ridotta, e la seconda all'altezza desiderata.



8. L'aspetto del prato sarà migliore se i tagli saranno eseguiti alternandoli nelle due direzioni.
9. Se il convogliatore tende ad intasarsi d'erba è bene ridurre la velocità di avanzamento in quanto può essere eccessiva in funzione della condizione del prato; se il problema rimane, cause probabili sono i dispositivi di taglio male affilati o il profilo delle alette deformato.
10. Fare molta attenzione ai tagli in corrispondenza di cespugli e in prossimità di cordoli bassi che potrebbero danneggiare il parallelismo e il bordo dell'assieme dispositivi di taglio ed i dispositivi di taglio.

5.8 RIEPILOGO DELLE PRINCIPALI AZIONI DA COMPIERE NELLE VARIE SITUAZIONI D'USO

Per ...	Occorre ...
Avviare il motore (☛ 5.4.1)	Predisporre le situazioni di consenso all'avviamento e azionare la chiave.
Procedere in marcia avanti (☛ 5.4.2)	Regolare l'acceleratore; Premere il pedale della trazione in avanti (☛ 4.22).
Frenare o fermarsi (☛ 5.4.3)	Ridurre i giri del motore e premere il pedale del freno.
Retrocedere (☛ 5.4.4)	Arrestare la macchina; Premere il pedale della trazione in retromarcia (☛ 4.23).
Tagliare l'erba (☛ 5.4.5)	Agganciare il sacco di raccolta o la protezione posteriore; Regolare l'altezza dei ruotini antiscampo (escluso: HF2317***); Regolare l'acceleratore; Innestare i dispositivi di taglio; Regolare l'altezza di taglio; Premere il pedale della trazione in avanti (☛ 4.22);
Svuotare il sacco di raccolta (☛ 5.4.6)	Arrestare l'avanzamento, disinnestare i dispositivi di taglio e azionare i comandi per il ribaltamento del sacco di raccolta.
Disintasare il canale di espulsione (☛ 5.4.7)	Azionare più volte la leva di regolazione altezza taglio in modo da scuotere e liberare il canale di espulsione. Arrestare l'avanzamento, disinnestare i dispositivi di taglio e fermare il motore; togliere il sacco di raccolta e pulire il canale.
Inserire la funzione "Mulching" (☛ 5.4.8)	▶ HF2317** HF2417HB Questo accessorio (disponibile a richiesta) deve essere montato come indicato nelle relative istruzioni. ▶ HF2417HM HF2417HT HF2625** La funzione «Mulching» viene inserita o disinserita tramite un'apposita leva (☛ 4.12).
Concludere il taglio (☛ 5.4.9)	Disinnestare i dispositivi di taglio e ridurre i giri del motore
Arrestare il motore (☛ 5.4.10)	Ridurre i giri del motore, attendere qualche secondo, azionare la chiave.
Riporre la macchina (☛ 5.4.11)	Inserire il freno di stazionamento, togliere la chiave e, se necessario, lavare la macchina, l'interno dell'assieme dispositivi di taglio, il canale di espulsione e il sacco di raccolta.

na e nuocere alla vostra e altrui sicurezza.

IMPORTANTE Non disperdere mai nell'ambiente olii esausti, benzina, e ogni altro prodotto inquinante!

Riepilogo delle principali situazioni che possono richiedere un intervento.

Ogni volta che ...	Occorre ...
I dispositivi di taglio vibrano	Controllare il fissaggio (☛ 6.3.1) o equilibrare i dispositivi di taglio (☛ 6.3.1)
I dispositivi di taglio strappano l'erba e il prato ingiallisce	Affilare i dispositivi di taglio (☛ 6.3.1)
Il taglio è irregolare	Regolare l'allineamento dell'assieme dispositivi di taglio (☛ 6.3.2)
L'innesto dei dispositivi di taglio è irregolare	Regolare il registro dell'innesto (☛ 6.3.3)
La macchina non frena	Regolare la molla del freno (☛ 6.3.4)
L'avanzamento è irregolare	Regolare la molla del tenditore (☛ 6.3.5)
Il sacco di raccolta sobbalza e tende ad aprirsi	Regolare la molla (☛ 6.3.6)

6. MANUTENZIONE

6.1 RACCOMANDAZIONI PER LA SICUREZZA

⚠ ATTENZIONE! *Togliere la chiave e leggere le relative istruzioni prima di iniziare qualsiasi intervento di pulizia, manutenzione o riparazione. Indossare indumenti adeguati e guanti da lavoro per lo smontaggio e rimontaggio dei dispositivi di taglio e in tutte le situazioni di rischio per le mani. Il motore deve essere freddo prima di procedere alla manutenzione.*

⚠ ATTENZIONE! *Non usare mai la macchina con parti usurate o danneggiate. I pezzi guasti o deteriorati devono essere sostituiti e mai riparati. Usare solo ricambi originali: i pezzi di qualità non equivalente possono danneggiare la macchi-*

6.2 MANUTENZIONE PERIODICA

6.2.1 GUIDA ALLA MANUTENZIONE PROGRAMMATA

Questa tabella ha lo scopo di aiutarvi a mantenere in efficienza e sicurezza la vostra macchina. In essa sono richiamate le principali operazioni di manutenzione e lubrificazione con l'indicazione della periodicità con la quale devono essere eseguite.



- Non dimenticare di reimpostare la spia luminosa e la frequenza di manutenzione (4.13.m) dopo ogni intervento.

OPERAZIONE		AZIONE	INTERVALLO				
			AD OGNI UTILIZZO	3 MESI o 20 ORE	6 MESI o 50 ORE	1 ANNO o 100 ORE	300 ORE
Eseguire la manutenzione ad ogni intervallo di ore o mesi di funzionamento, a seconda di quale si verifica prima							
Olio motore		Controllo	●				
		Cambio		● (1)	●		
Filtro dell'aria		Controllo	●				
		Controllo			◆		
		Sostituzione				● (3)	● (4)
Griglia del condotto dell'aria di raffreddamento		Controllo	●				
Silenziatore		Controllo	●				
Griglia della ventola di raffreddamento		Controllo	●				
Batteria	Carica					● (*)	
	Controllare il livello dell'elettrolito		●				
	Controllare il livello dell'elettrolito e la densità dell'acido				●		
Pneumatici e pressione di gonfiaggio		Controllo	●				
Cinghia dell'assieme dispositivi di taglio		Controllo	●				
Cinghia di trasmissione		Controllo		●			
Freno	Condizione del freno	Controllo	●				
	Serraggio del freno e dell'asta di comando della frizione	Controllo		● (1)	● (2)		
	Corsa pedale del freno	Controllo e regolazione			●		
	Freno di stazionamento	Controllo			●		
Condizione dei bulloni dei dispositivi di taglio		Ispezione	●				
Serraggio dei bulloni dei dispositivi di taglio		Controllo			●	●	
Condizione dei dispositivi di taglio		Controllo	●				
Ingrassaggio asse anteriore e posteriore		Ingrassaggio			●		
Candela	Controllo e pulizia					●	
	Sostituzione						●
Cavo dell'acceleratore		Controllo e regolazione			●		
Serbatoio, tubo e filtro		Controllo e regolazione					●
Gioco delle valvole		Controllo, sostituzione se necessario					●
Alette del motore e paratia		Controllo e regolazione					●
Boccola del pedale di azionamento		Pulizia			●		
Sistema mulching	Controllo e pulizia		●				
	Regolazione (se necessario)						●

(*) Se la macchina non è stata usata da più di 1 mese.
◆ Pulire più frequentemente il filtro dell'aria se la macchina viene usata in zone polverose.

(1) Usare questo intervallo solo per la prima manutenzione. (3) GCV530
(2) Questo intervallo si riferisce alla seconda manutenzione e alle manutenzioni successive. (4) GXV690H

6.2.2 Asse posteriore

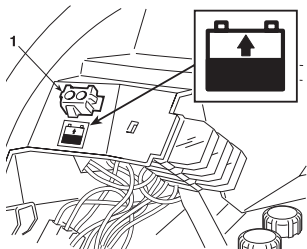
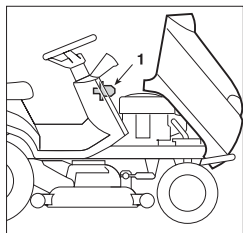
È costituito da un gruppo monoblocco sigillato e non richiede manutenzione; è fornito di una carica di lubrificante permanente, che non necessita di sostituzione o rabbocco.

6.2.3 Batteria

È fondamentale effettuare un'accurata manutenzione della batteria per garantirne una lunga durata. La batteria della vostra macchina deve essere tassativamente caricata:

- prima di utilizzare la macchina per la prima volta dopo l'acquisto (☛ 3.1);
- prima di ogni prolungato periodo di inattività della macchina;
- prima della messa in servizio dopo un prolungato periodo di inattività.

La macchina è dotata di un connettore (1) per la ricarica, da collegare al corrispondente connettore dell'apposito carica batterie di mantenimento fornito in dotazione.



IMPORTANTE A questo connettore non deve essere collegato nessun altro dispositivo che non sia il carica batterie.

Nei periodi di inattività, il livello di carica può essere mantenuto costante utilizzando il carica batterie di mantenimento fornito in dotazione.

IMPORTANTE Il mantenimento della carica deve avvenire con il carica batterie, seguendo le indicazioni riportate nelle relative istruzioni d'uso. Altri sistemi di ricarica possono danneggiare irrimediabilmente la batteria.

Una batteria scarica **deve** essere ricaricata al più presto, altrimenti si potrebbero verificare danni irreparabili agli elementi della batteria.

Controllare periodicamente il livello dell'elettrolito; per gli eventuali rabbocchi, usare ESCLUSIVAMENTE acqua distillata per batterie.

6.3 CONTROLLI E REGOLAZIONI

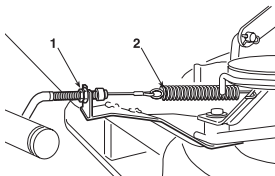
6.3.1 Smontaggio, affilatura ed equilibratura dei dispositivi di taglio

Un dispositivo di taglio male affilato strappa l'erba, riduce la capacità di carico e fa ingiallire il prato.

IMPORTANTE Per accedere ai dispositivi di taglio è opportuno rimuovere l'assieme dispositivi di taglio, dotato di un sistema di sgancio rapido che ne permette la facile rimozione dalla macchina.

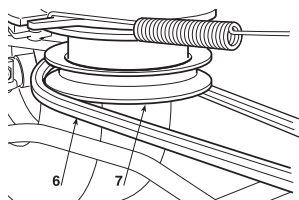
a) Rimozione dell'assieme dispositivi di taglio

- Rimuovere le protezioni laterali prima di togliere l'assieme dei dispositivi di taglio. (☛ 5.4.12).

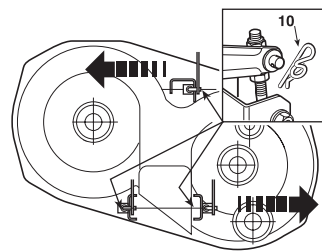
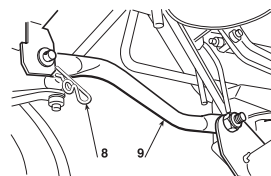


▶ HF2317◆◆

- Dopo aver portato la leva di regolazione dell'altezza di taglio in posizione «1», sfilare il registro del cavo di innesto (1) e sganciare la molla (2).



- Liberare la cinghia dei dispositivi di taglio (6) dalla puleggia della frizione (7).
- Sfilare le due coppie di sicurezza (8) che fissano le due bielle (9) al telaio.
- Sganciare le tre coppie di sicurezza (10) di bloccaggio dei perni sulle leve di sollevamento, avendo l'avvertenza di non toccare i dadi e controdadi in modo da ritrovare al montaggio le stesse situazioni di parallelismo.

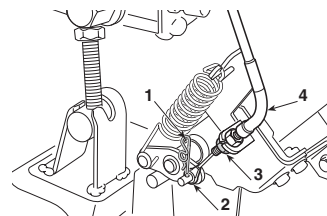


- Verificato che non vi siano impedimenti, l'assieme dispositivi di taglio può essere rimosso, ruotandolo leggermente in senso antiorario, in modo che tutti i perni fuoriescano dalle sedi.

- Al montaggio, eseguire a ritroso le operazioni sopra indicate, assicurandosi che il terminale anteriore del canale di espulsione si imbrocchi correttamente all'uscita dell'assieme dispositivi di taglio.

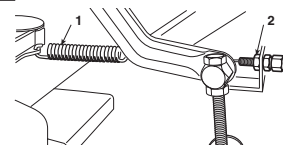
▶ HF2417HM• HF2417HT• HF2625H◆

- Rimuovere il cavo di azionamento del "Mulching". Rimuovere la coppia (1) ed estrarre l'occhiello (2). Allentare il dado (3) e rimuovere il cavo (4).

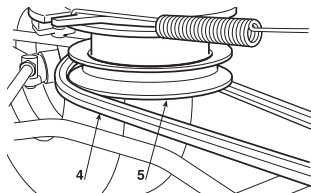


▶ HF24◆◆◆ HF26◆◆◆

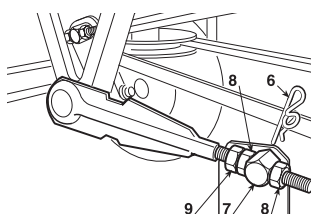
- Portare la leva di regolazione dell'altezza di taglio in posizione «1».



- Sganciare la molla (1) dell'innesto dispositivi di taglio.



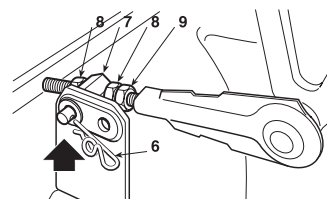
- Allentare il registro di innesto (2) e sfilarlo dalla sede.



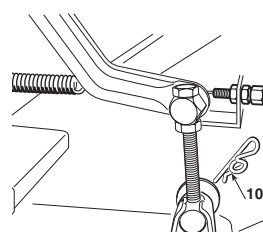
- Liberare la cinghia dei dispositivi di taglio (4) dalla puleggia della frizione (5).

▶ HF24◆◆◆

- Sfilare le due coppie di sicurezza (6) dei due perni (7) delle bielle anteriori, senza allentare o modificare la posizione dei dadi (8) e controdadi (9).

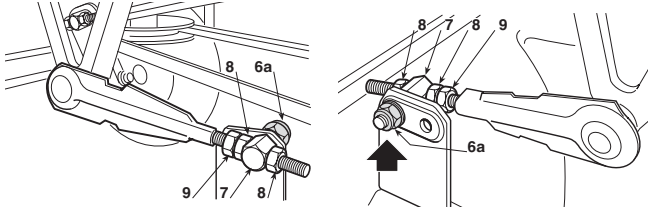


- Togliere le due coppie di sicurezza (10) dei perni posteriori quindi, verificato che non vi siano impedimenti, l'assieme dispositivi di taglio può essere rimosso sfilandolo in modo che tutti i perni fuoriescano dalle sedi.

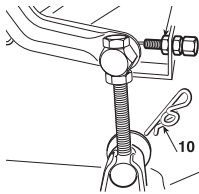


▶ HF26♦♦♦

Svitare i due dadi (6a) dei due perni (7) delle bielle anteriori, senza allentare o modificare la posizione dei dadi (8) e controdadi (9).



Togliere le due coppie di sicurezza (10) dei perni posteriori quindi, verificato che non vi siano impedimenti, l'assieme dispositivi di taglio può essere rimosso sfilandolo in modo che tutti i perni fuoriescano dalle sedi.



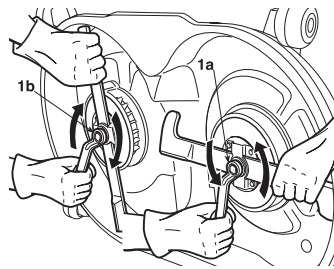
Al montaggio, prestare attenzione ad utilizzare i due fori posteriori delle squadrette per il fissaggio dei perni (7); eseguire a ritroso le operazioni sopra indicate, assicurandosi che il terminale anteriore del canale di espulsione si imbrocchi correttamente all'uscita dell'assieme dispositivi di taglio.

b) Smontaggio, affilatura ed equilibratura dei dispositivi di taglio

⚠ ATTENZIONE! *Tutte le operazioni riguardanti i dispositivi di taglio (smontaggio, affilatura, equilibratura, rimontaggio e/o sostituzione) sono lavori impegnativi che richiedono una specifica competenza oltre all'impiego di apposite attrezzature; per ragioni di sicurezza, è sempre consigliabile rivolgersi a un centro specializzato se non si dispone delle attrezzature o delle conoscenze adeguate.*

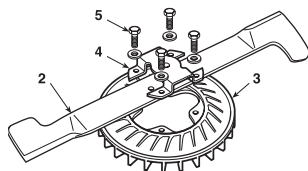
⚠ ATTENZIONE! *Indossare guanti robusti per maneggiare i dispositivi di taglio.*

Per smontare un dispositivo di taglio, afferrarlo saldamente e svitare la vite centrale (1a - 1b) con una chiave da 15 mm nel senso indicato dalla freccia per ciascun dispositivo di taglio, in quanto le viti di fissaggio sono una a filetto destro e l'altra a filetto sinistro.

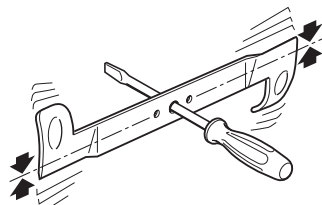


1a = vite con filetto destro (svitare in senso antiorario)
1b = vite con filetto sinistro (svitare in senso orario)

Il dispositivo di taglio (2) è fissato alla girante (3) tramite un supporto (4) e quattro viti con rondelle (5). Con una chiave da 10 mm svitare le quattro viti (5) e liberare il dispositivo di taglio (2) dal supporto (4).



Affilare entrambi i taglienti per mezzo di una mola a grana media e verificare l'equilibratura del dispositivo di taglio sorreggendolo con un cacciavite infilato nel foro centrale.



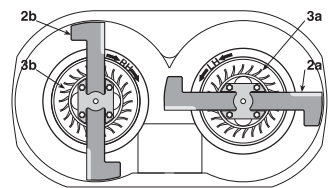
⚠ ATTENZIONE! *Sostituire sempre i dispositivi di taglio danneggiati o storti; non tentare mai di ripararli! USARE SEMPRE DISPOSITIVI DI TAGLIO ORIGINALI!*

Su questa macchina impiegare solo le seguenti coppie di dispositivi di taglio

HF 2317:	2b	80395-Y09-003 (82004345/1)	-	80394-Y09-003 (82004344/1)	2a
HF 2417:	2b	72511-VK1-A11 (82004341/1)	-	72531-VK1-A11 (82004340/1)	2a
HF 2625:	2b	72511-VK1-B11 (82004343/0)	-	72531-VK1-B11 (82004342/0)	2a

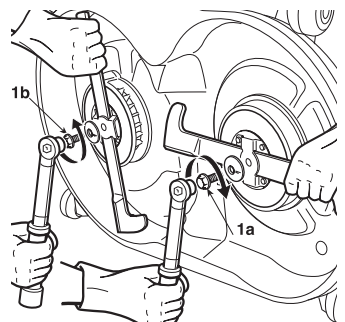
⚠ ATTENZIONE! *I dispositivi di taglio (2) e le giranti (3) sono diversi fra loro e controrotanti. Al montaggio accertarsi che siano rispettate le posizioni originali.*

Rimontare ciascun dispositivo di taglio (2a - 2b) sulla rispettiva girante (3a - 3b), rispettando le indicazioni "RH" (destra) e "LH" (sinistra) stampigliate sulla girante e all'interno dell'assieme dispositivi di taglio e serrare le quattro viti (5) con rondelle con una chiave dinamometrica tarata a 9,5 Nm.

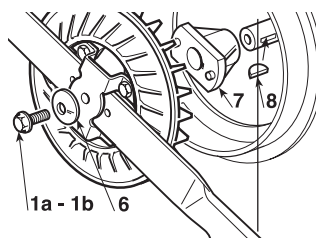


NOTA *Le indicazioni "destra" e "sinistra" sono riferite alla posizione di guida.*

⚠ ATTENZIONE! *Qualora nello smontaggio dei dispositivi di taglio si fossero sfilati uno o entrambi i mozzi (7) dall'albero, accertarsi che le chiavette (8) risultino ben inserite nelle rispettive sedi. Al montaggio, rispettare le sequenze indicate facendo attenzione a che le alette dei dispositivi di taglio risultino rivolte verso l'interno dell'assieme dispositivi di taglio e che la parte concava del disco elastico (6) prema contro il dispositivo di taglio. Serrare le viti di fissaggio (1a-1b) con una chiave dinamometrica, tarata a 45-50 Nm.*



1a = vite con filetto destro (serrare in senso orario)
1b = vite con filetto sinistro (serrare in senso antiorario)



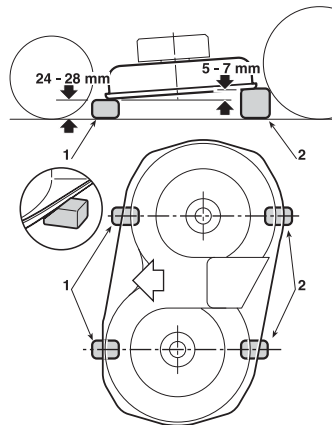
6.3.2 Allineamento dell'assieme dispositivi di taglio

Una buona regolazione dell'assieme dispositivi di taglio è essenziale per ottenere un prato uniformemente rasato.

NOTA

Per ottenere un buon risultato di taglio, è opportuno che la parte anteriore risulti sempre più bassa di 5-7 mm rispetto alla posteriore.

- Porre la macchina su una superficie piana e verificare la corretta pressione dei pneumatici;
- in corrispondenza della mezzaria dei dispositivi di taglio, sistemare due spessori (1) da 24-28 mm sotto il bordo anteriore dell'assieme dispositivi di taglio e due spessori (2) 5-7 mm più alti sotto il bordo posteriore;
- portare la leva di sollevamento in posizione «1».



▶ HF2317...

- Allentare completamente i due dadi (3), i dadi (4 - 6 - 8) e i controdadi (5 - 7 - 9) delle tre bielle di articolazione fino ad appoggiare l'assieme dispositivi di taglio sugli spessori;
- avvitare i due dadi superiori destri (6 - 8) e il dado inferiore sinistro (4) fino ad avvertire un inizio di sollevamento dell'assieme dispositivi di taglio; bloccare i tre controdadi (5 - 7 - 9) ed agire sui dadi (3) fino a quando un minimo movimento della leva di sollevamento non provoca un analogo movimento di tutte le bielle di sollevamento.

Una differenza di altezza rispetto al terreno tra il bordo destro e il bordo sinistro dell'assieme dispositivi di taglio è compensabile agendo opportunamente sui due dadi (4 - 8) e controdadi (5 - 9) delle sole bielle posteriori.

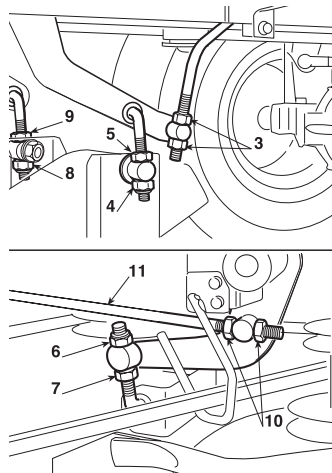
Portare la leva di comando su 2 o 3 posizioni diverse, controllando che l'assieme dispositivi di taglio si sollevi uniformemente e che in ogni posizione mantenga costante la differenza di altezza fra il bordo anteriore e quello posteriore rispetto al terreno.

Se la parte anteriore tende ad anticipare o a ritardare la salita rispetto alla posizione è possibile regolarizzare il movimento agendo opportunamente sui dadi (10) dell'asta di collegamento (11).

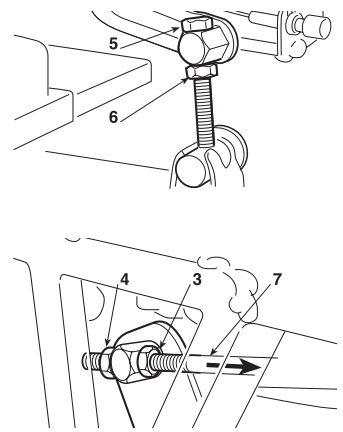
Avvitando i dadi sull'asta si tende a sollevare la parte anteriore ed anticipare la salita, svitandoli si ottengono gli effetti opposti.

▶ HF24... HF26...

- Allentare i dadi (3), le viti (5) e i controdadi (4 - 6) sia sul lato destro che sul lato sinistro, in modo che l'assieme dispositivi di taglio appoggi stabilmente sugli spessori;
- spingere all'indietro le due aste di collegamento (7) e avvitare sulle rispettive aste i due dadi (3) fino ad avvertire inizio di sollevamento della parte anteriore dell'assieme dispositivi di



- taglio sia a destra che a sinistra; quindi bloccare i relativi controdadi (4);
- agire su entrambi le viti posteriori (5) fino ad avvertire un inizio di sollevamento della parte posteriore dell'assieme dispositivi di taglio sia a destra che a sinistra; quindi bloccare i relativi controdadi (6).



Nel caso non si riuscisse ad ottenere una buona regolazione dell'assieme dispositivi di taglio, consultare il vostro Concessionario.

6.3.3 Regolazione dell'innesto e freno dei dispositivi di taglio

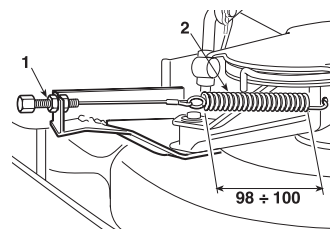
Quando si aziona il comando per disinnestare i dispositivi di taglio, si aziona contemporaneamente un freno che ne arresta la rotazione entro alcuni secondi.

L'allungamento del filo e/o le variazioni in lunghezza della cinghia possono causare un innesto e una rotazione irregolare dei dispositivi di taglio.

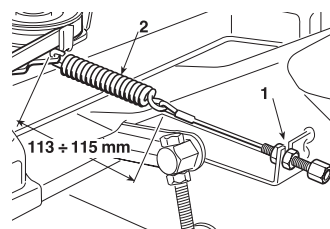
In tal caso, occorre agire sul registro, secondo le diverse modalità previste per ciascun modello.

Agire sul registro (1) fino ad ottenere la giusta lunghezza della molla (2).

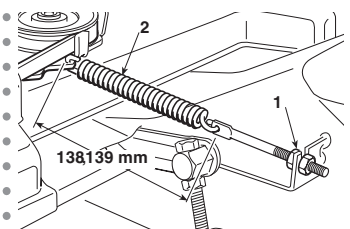
▶ HF2317...



▶ HF2417...



▶ HF2625...



In ogni caso, se dopo la regolazione l'innesto non riesce ad azionare regolarmente la cinghia o l'arresto dei dispositivi di taglio non avviene entro alcuni secondi, occorre contattare subito il vostro Concessionario.

6.3.4 Registrazione del freno

L'allungamento degli spazi di frenata rispetto ai valori indicati (☛ 5.3.6), rende necessaria la registrazione della molla del freno.

La registrazione deve avvenire con il freno di stazionamento inserito.

L'accesso alla regolazione è possibile togliendo lo sportello posto sul tunnel alla base del sedile.

Allentare il dado (1) che fissa la staffa (2) e agire sul dado (3) fino

ad ottenere una lunghezza della molla di:

$$B = 45 - 47 \text{ mm}$$

misurata all'interno delle rondelle. A regolazione effettuata, bloccare il dado (1).

IMPORTANTE Non avvitare al di sotto di questi valori, per evitare di sovraccaricare il gruppo freno.

ATTENZIONE! Se dopo questa regolazione non si ripristina il corretto funzionamento del freno, contattare immediatamente il vostro Concessionario. **NON TENTARE ALTRI INTERVENTI SUL FRENO OLTRE A QUELLO DESCRITTO.**

6.3.5 Regolazione della tensione della cinghia di trazione

Se la macchina presenta una insufficiente capacità di avanzamento, occorre agire sulla tensione della molla del tenditore fino a ripristinare le condizioni ottimali di funzionamento. L'accesso alla regolazione è possibile togliendo lo sportello posto sul tunnel alla base del sedile.

Allentare i dadi di bloccaggio (2) e svitare o avvitare di quanto necessario la vite (1) per ottenere una lunghezza "A" della molla (3) di:

$$A = 109 - 111 \text{ mm}$$

misurata all'esterno delle spire. Bloccare i dadi (2) a regolazione effettuata.

NOTA In caso di sostituzione della cinghia, prestare la massima attenzione nei primi utilizzi, in quanto l'innesto potrebbe risultare più brusco, fintanto che la cinghia non si sia sufficientemente rodato.

6.3.6 Regolazione della molla dell'arpione di aggancio sacco di raccolta

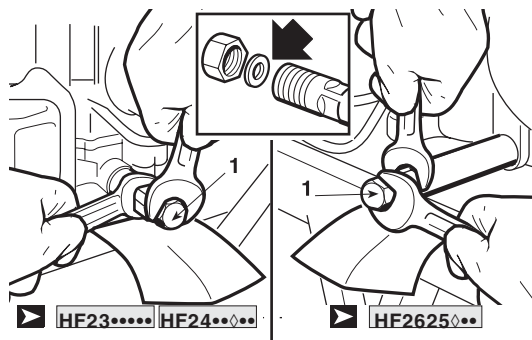
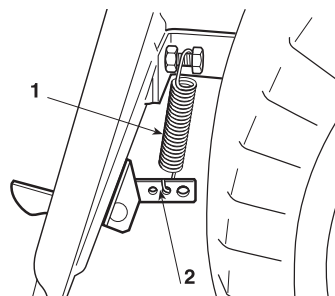
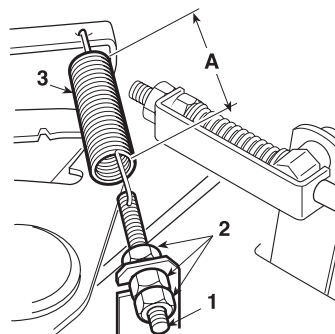
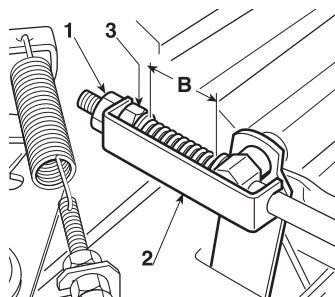
Se il sacco di raccolta tende a sobbalzare e ad aprirsi marciando su terreni sconnessi oppure se il riaggancio dopo lo svuotamento risulta difficoltoso, occorre regolare la tensione della molla (1).

Modificare il punto di attacco utilizzando uno dei fori (2) fino ad ottenere il risultato voluto.

6.4 INTERVENTI DI SMONTAGGIO E SOSTITUZIONE

6.4.1 Sostituzione dell'olio motore

Scaricare l'olio quando il motore è freddo.



Sfilare il tappo di

riempimento con l'astina e collocare un foglio di cartone o un oggetto simile sotto il tubo di scarico, per evitare che l'olio goccioli sul telaio della macchina.

Svitare il tappo (1); nel rimontare il tappo curare il posizionamento della guarnizione interna.

Effettuare il riempimento con olio consigliato, fino a raggiungere il limite superiore dell'astina (☛ 5.3.3). Riavvitare il tappo con l'astina.

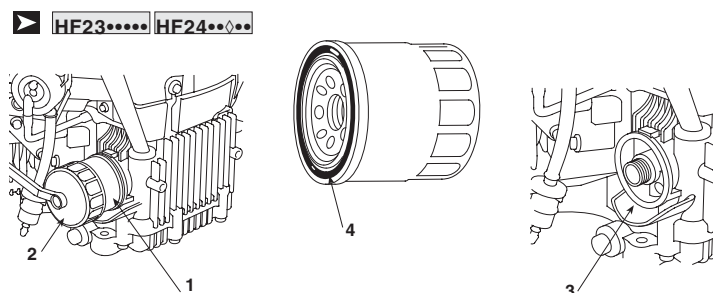
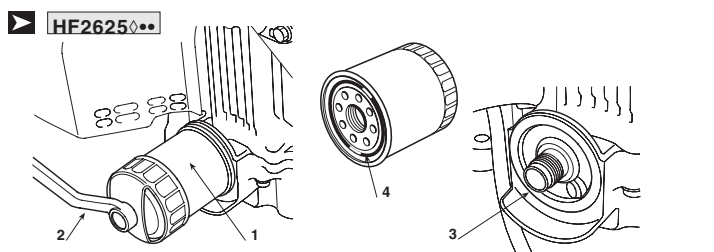
6.4.2 Cambio del filtro dell'olio

1. Scaricare l'olio motore (☛ 6.4.1).
2. Rimuovere il filtro dell'olio (1) con la chiave del filtro (2) e far scaricare l'olio rimanente. Gettare il filtro dell'olio.
3. Pulire la base del filtro (3).
4. Ricoprire il nuovo anello di tenuta toroidale (4) sul nuovo filtro con olio del motore pulito.
5. Installare il filtro dell'olio nuovo sulla base del filtro e serrarlo a mano fino a che l'anello a O si trova in sede contro la base del filtro.
6. Avvitare il filtro dell'olio alla specificata coppia di serraggio (12 Nm - 1,20 kgm).

IMPORTANTE Usare esclusivamente un filtro dell'olio originale Honda o un filtro di qualità equivalente specifico per il proprio modello. Utilizzando un filtro Honda non adatto o un filtro non Honda che non sia di qualità equivalente si potrebbe danneggiare il motore.

7. Riempire il motore con la quantità specificata di olio raccomandato. Accendere il motore e controllare che il filtro non perda.
8. Spegner il motore e ricontrrollare il livello dell'olio. Se necessario, aggiungere olio fino a raggiungere il livello appropriato.

NOTA Rivolgersi al proprio concessionario Honda autorizzato per consigli relativi alla chiave per filtro (utensile speciale).



6.4.3 Assistenza del filtro dell'aria

ATTENZIONE! Non pulire mai il filtro dell'aria con benzina o solventi molto infiammabili. Ciò potrebbe causare esplosioni o incendi.

IMPORTANTE Non far girare il motore senza il filtro dell'aria. Potrebbero penetrare corpi estranei quali polvere e sporco che determinerebbero una rapida usura del motore.

1.

► **HF23♦♦♦♦** **HF24♦♦♦♦**:

- Rimuovere i due bulloni (1a) del coperchio del filtro dell'aria dal coperchio del filtro dell'aria e rimuovere il coperchio.
- Muovere l'elemento cartaceo (3) dal corpo del filtro dell'aria (5).
- Rimuovere l'elemento di gomma spugnosa (4) dal coperchio del filtro dell'aria (2)

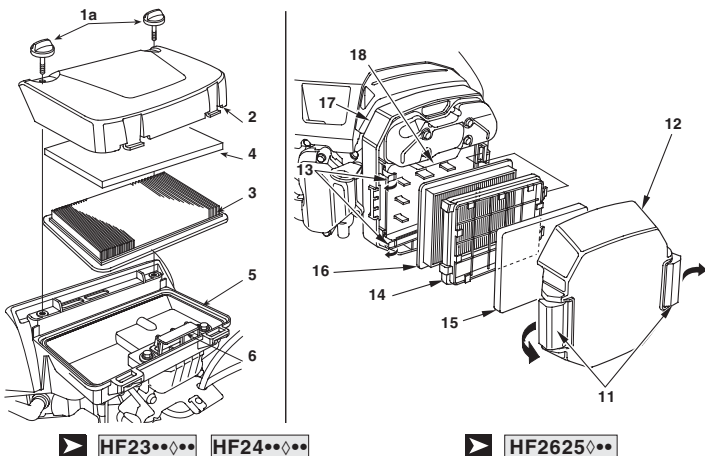
► **HF2625♦♦♦♦**:

- Sbloccare le due linguette (11) di blocco dal coperchio (12) del filtro dell'aria.
- Sganciare le due linguette (13) dal supporto del filtro (14), quindi rimuovere il supporto del filtro (14) ed estrarre l'elemento in gomma spugnosa (15) dal supporto. Rimuovere l'elemento cartaceo (16).

2. Pulire gli elementi del filtro dell'aria se si desidera riutilizzarli.

• **Elemento di gomma spugnosa (4-15):** pulire in acqua calda e sapone, risciacquare e asciugare completamente. O pulire in un solvente non infiammabile e asciugare. Imbevero di olio motore pulito l'elemento, strizzandolo per fare uscire l'olio in eccesso. Se rimane troppo olio sull'elemento spugnoso, il motore emetterà fumo all'avviamento.

• **Elemento cartaceo (3-16):** maschiare l'elemento leggermente varie volte su una superficie dura per rimuovere lo sporco in eccesso, o soffiare aria compressa (che non superi i 2,1 kg/cm² attraverso il filtro dal lato del corpo del filtro dell'aria. Mai tentare di spazzolare via lo sporco; la spazzolatura introdurrebbe lo sporco nelle fibre. Sostituire l'elemento cartaceo se è eccessivamente sporco.



3. Strofinare via lo sporco dalla parte interna del corpo del filtro dell'aria (5-17) e dal coperchio, utilizzando uno straccio umido. Fare attenzione a impedire che lo sporco penetri nella camera pulita (6-18) che arriva al carburatore.

4. Reinstallare le cartucce del filtro dell'aria e il coperchio.

► **HF23♦♦♦♦** **HF24♦♦♦♦**: Serrare i due bulloni (1a) del coperchio del filtro dell'aria, saldamente.

► **HF2625♦♦♦♦**: Agganciare saldamente le linguette (11) di blocco.

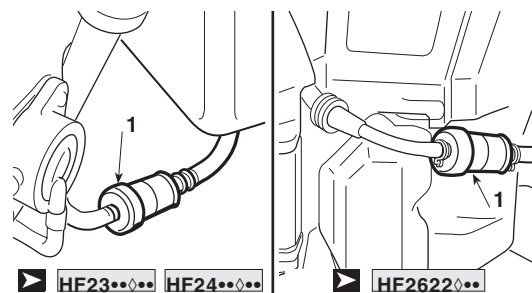
NOTA Evitare che polvere, sporco e detriti penetrino nella camera per pulizia (corpo del filtro dell'aria) durante la ma-

nutenzione del filtro dell'aria.

6.4.4 Manutenzione del filtro carburante

ATTENZIONE! La benzina è una sostanza altamente infiammabile che può esplodere in certe condizioni. Non fumare e non avvicinare fiamme o scintille al motore.

Controllare che nel filtro carburante (1) non si sia accumulata acqua o sedimenti. In tal caso, portare il motore al rivenditore



autorizzato Honda.

6.4.5 Manutenzione candela

Candele raccomandate:

► **HF23♦♦♦♦** **HF24♦♦♦♦**:

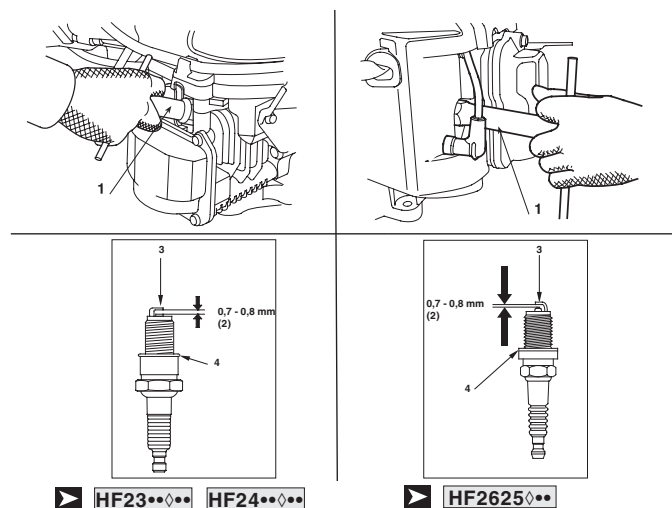
- BPR5ES (NGK) - W16EPR-U (DENSO).

► **HF2625♦♦♦♦**:

- ZFR5F (NGK)

IMPORTANTE Non usare mai una candela di gamma termica inadatta.

Per assicurarsi il buon funzionamento del motore, la distanza degli elettrodi delle candele deve essere appropriata e le candele non devono avere depositi carboniosi.



1. Rimuovere i copricandela e utilizzare una chiave per candela (1) per rimuovere ciascuna candela.

ATTENZIONE! Se il motore è stato acceso, la marmitta è molto calda. Fare attenzione a non ustionarsi.

2. Controllare a vista le candele. Scartare la candela se si nota usura o se l'isolatore è scheggiato o incrinato. Pulire le candele con una spazzola metallica se si desidera riutilizzarle.

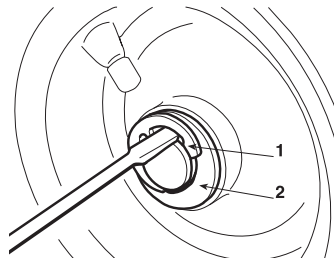
3. Misurare con uno spessore l'intervallo degli elettrodi (2) della candela, correggendolo se necessario piegando l'elettrodo laterale (3). L'intervallo deve essere: 0,7 - 0,8 mm.
4. Controllare che la rondella della candela (4) sia in buone condizioni e avvitare la candela a mano in modo di evitare di danneggiare la filettatura.
5. Una volta che la candela si posa sulla sua base, stringerla con una chiave per candele (1) in modo che comprima la rondella.

NOTA

Quando si installa la candela nuova, stringerla di 1/2 giro dopo che si è posata in modo da comprimere la rondella. Quando si reinstalla una candela usata, stringerla di 1/8 1/4 di giro sino a che non si è posata in modo da comprimere la rondella.

IMPORTANTE

Le candele devono essere serrate saldamente. Se le candele non vengono serrate correttamente potrebbero surriscaldarsi e danneggiare il motore.



6.4.6 Sostituzione delle ruote

Con la macchina in piano, sistemare degli spessori sotto un elemento portante del telaio, dal lato della ruota da sostituire.

Le ruote sono trattenute da un anello elastico (1) asportabile con l'aiuto di un cacciavite.

Le ruote posteriori sono calettate direttamente sui semiassi, tramite una chiavetta ricavata nel mozzo della ruota.

NOTA

In caso di sostituzione di una o di entrambe le ruote posteriori, assicurarsi che siano dello stesso diametro, e verificare la regolazione del parallelismo dell'assieme dispositivi di taglio per evitare tagli irregolari.

IMPORTANTE

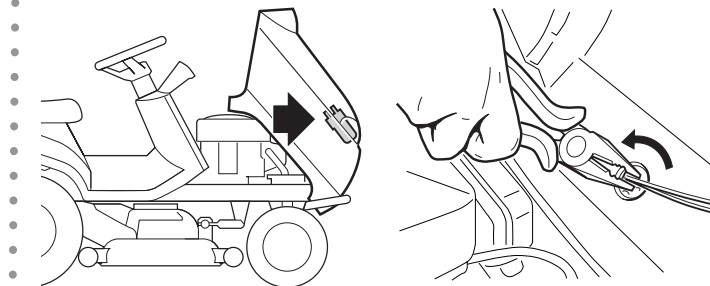
Prima di rimontare una ruota, spalmare l'asse con del grasso e riposizionare accuratamente l'anello elastico (1) e la rondella di spallamento (2).

6.4.7 Riparazione o sostituzione dei pneumatici

I pneumatici sono del tipo «Tubeless» e pertanto ogni sostituzione o riparazione a seguito di una foratura deve avvenire presso un gommista specializzato, secondo le modalità previste per tale tipo di copertura.

6.4.8 Sostituzione lampade

▶ **HF23••♦••** **HF2417HB•**



Le lampade (10W) sono inserite a baionetta nel portalampada, che si sfilia ruotandolo in senso antiorario con l'aiuto di una pinza.

6.4.9 Sostituzione di un fusibile

Sulla macchina sono previsti alcuni fusibili, di diversa portata, le cui funzioni e caratteristiche sono indicate nella tabella seguente:

1 - 10 Amp - (Rosso) protezione dei circuiti generali e di potenza della scheda elettronica;

▶ **HF23••♦••** **HF2417HM•** **HF2625HM•**

• 2 - 15 Amp - (Azzurro) protezione del circuito di ricarica;

▶ **HF2417HT•** **HF2625HT•**

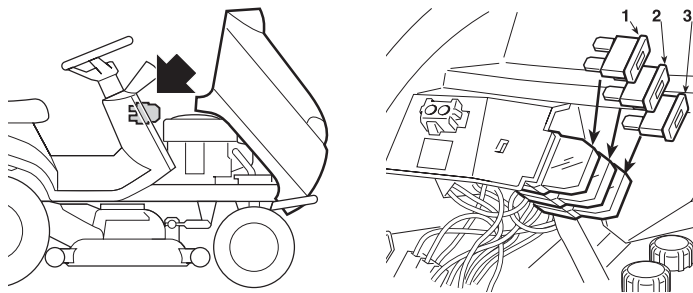
• 2 - 15 Amp - (Azzurro) protezione del circuito di ricarica;

• 3 - 10 Amp - (Rosso) protezione del circuito di comando ribaltamento sacco.

– L'intervento del fusibile (1) provoca l'arresto della macchina e lo spegnimento completo del cruscotto.

– L'intervento del fusibile (2) è segnalato dalla accensione della spia della batteria- (☛ 4.13.f).

– L'intervento del fusibile (3) impedisce il funzionamento del motorino di comando del ribaltamento del sacco.



IMPORTANTE

Un fusibile bruciato deve essere sempre sostituito con uno di uguale tipo e portata e mai con uno di portata diversa.

Nel caso non si riesca ad eliminare le cause di intervento, consultare il vostro Concessionario.

6.4.10 Sostituzione delle cinghie

La sostituzione delle cinghie necessita di smontaggi e successive regolazioni abbastanza complesse ed è indispensabile venga affidata al vostro Concessionario.

NOTA

Sostituire le cinghie non appena manifestano palesi segni di usura! USARE SEMPRE CINGHIE ORIGINALI!

7. GUIDA ALLA IDENTIFICAZIONE DEGLI INCONVENIENTI

INCONVENIENTE	CAUSA PROBABILE	RIMEDIO
1. Con la chiave su «MARCIA», il cruscotto rimane spento, senza alcun segnale acustico	Intervento della protezione della scheda elettronica a causa di: <ul style="list-style-type: none"> - batteria mal collegata - inversione di polarità della batteria - batteria completamente scarica o solfatata - fusibile bruciato - massa incerta sul motore o sul telaio 	Mettere la chiave in pos. «ARRESTO» e cercare le cause del guasto: <ul style="list-style-type: none"> - verificare i collegamenti (☛ 3.1) - verificare i collegamenti (☛ 3.1) - ricaricare la batteria (☛ 6.2.3) - sostituire il fusibile (10 A) (☛ 6.4.9) - verificare i collegamenti dei cavi neri di massa
2. Con la chiave su «MARCIA», il cruscotto rimane spento, ma si attiva un segnale acustico continuo	Intervento della protezione della scheda elettronica a causa di: <ul style="list-style-type: none"> - scheda bagnata - voltaggio della batteria troppo elevato - problemi alla scheda elettronica 	Mettere la chiave in pos. «ARRESTO» e cercare le cause del guasto: <ul style="list-style-type: none"> - asciugare con aria tiepida - verificare il voltaggio della batteria - verificare i collegamenti (☛ 3.1) - sostituire la batteria - contattare il vostro Concessionario
3. Con la chiave su «AVVIAMENTO», il cruscotto si accende ma il motorino d'avviamento non gira	<ul style="list-style-type: none"> - batteria insufficientemente carica - massa incerta del motorino - manca il consenso all'avviamento (☛ 5.2) 	<ul style="list-style-type: none"> - ricaricare la batteria (☛ 6.2.3) - verificare i collegamenti a massa - disinnestare i dispositivi di taglio: (perdurando l'inconveniente controllare il relativo microinterruttore) - mettere la trasmissione in folle (N) - sedersi saldamente sul sedile
4. Con la chiave su «AVVIAMENTO», il motorino d'avviamento gira, ma il motore non si avvia	<ul style="list-style-type: none"> - batteria insufficientemente carica - mancanza di afflusso di benzina - difetto di accensione - mancanza d'olio 	<ul style="list-style-type: none"> - ricaricare la batteria (☛ 6.2.3) - verificare il livello nel serbatoio (☛ 5.3.3) - controllare il cablaggio del solenoide di apertura carburante - verificare il filtro della benzina (☛ 6.4.4) - verificare il fissaggio del cappuccio della candela (☛ 6.4.5) - verificare la pulizia e la corretta distanza fra gli elettrodi (☛ 6.4.5) - verificare il livello dell'olio motore e rabboccare se necessario (☛ 5.3.3)
5. Avviamento difficoltoso o funzionamento irregolare del motore	<ul style="list-style-type: none"> - problemi al carburatore 	<ul style="list-style-type: none"> - pulire o sostituire il filtro dell'aria (☛ 6.4.3) - pulire la vaschetta del carburatore (☛ 5.4.13) - svuotare il serbatoio e immettere benzina fresca (☛ 5.4.13) - controllare ed eventualmente sostituire il filtro della benzina (☛ 6.4.4)
6. La macchina non si avvia	<ul style="list-style-type: none"> - trasmissione non in folle (N) con "Cruise Control" non disinserito dal precedente utilizzo. 	<ul style="list-style-type: none"> - Mettere la chiave su «ARRESTO» - Disinserire il dispositivo "Cruise Control" (☛ 4.9) Verificare che la spia di trasmissione in folle (N)(4.13.j) si accenda sul display. Se l'inconveniente persiste, contattare il vostro Concessionario.
7. Calo di rendimento del motore durante il taglio	<ul style="list-style-type: none"> - velocità di avanzamento elevata in rapporto all'altezza di taglio (☛ 5.4.5) 	<ul style="list-style-type: none"> - ridurre la velocità di avanzamento e/o alzare l'altezza dell'assieme dispositivi di taglio.
8. Innestando i dispositivi di taglio, il motore si spegne	<ul style="list-style-type: none"> - manca il consenso all'inserimento dei dispositivi di taglio (☛ 5.2) - Dispositivi di taglio innestati con retromarcia inserita 	<ul style="list-style-type: none"> - sedersi correttamente (se l'inconveniente persiste, controllare il relativo microinterruttore) - verificare che il sacco di raccolta o la protezione di scarico siano correttamente applicati (se l'inconveniente persiste, controllare il relativo microinterruttore) - Premere il pulsante di consenso taglio in retromarcia (☛ 4.7)
9. Il dispositivo "Cruise Control" non si inserisce (attiva)		
10. Il dispositivo "Cruise Control" non si disinserisce (disattiva): <ul style="list-style-type: none"> - premendo il comando a fungo (4.9) - azionando il pedale marcia avanti (4.22) - azionando il pedale freno (4.23) 	<ul style="list-style-type: none"> - I componenti del dispositivo sono bloccati o danneggiati 	<ul style="list-style-type: none"> - Mettere la chiave su «ARRESTO» - Contattare il vostro Concessionario.
11. La spia della batteria non si spegne dopo qualche minuto di lavoro	<ul style="list-style-type: none"> - ricarica insufficiente della batteria 	<ul style="list-style-type: none"> - verificare i collegamenti

INCONVENIENTE	CAUSA PROBABILE	RIMEDIO
12. La spia della batteria lampeggia	– la batteria sta raggiungendo la soglia di sovratensione	– Mettere immediatamente la chiave su «ARRESTO»; – Scollegare la batteria; – Contattare il vostro Concessionario
13. La spia dell'olio si accende durante il lavoro	– problemi di lubrificazione del motore	Mettere immediatamente la chiave su «ARRESTO»: – ripristinare il livello dell'olio (➔ 5.3.3) – sostituire il filtro (se l'inconveniente persiste, contattare il vostro Concessionario)
14. – Calibrazione fallita. Le spie di inclinazione (4.13.l) lampeggiano alternativamente	– le condizioni della macchina non sono rispettate – calibrazione fuori tempo	– Mettere la chiave su «ARRESTO», verificare le condizioni della macchina e contattare il vostro Concessionario per ricalibrare il sensore.
15. –Le spie di inclinazione (4.13.l) si accendono erroneamente spesso	– malfunzionamento del sensore	– Contattare il vostro Concessionario
16. –Le spie di inclinazione (4.13.l) si accendono in condizione di superficie piana o di bassa pendenza.	– la guida non è fatta in sicurezza – pressione dei pneumatici bassa – sensore d'inclinazione non calibrato – problemi alla scheda elettronica	– Guidare senza azionamenti improvvisi; partenza, arresto e sterzata – verificare la pressione dei pneumatici – contattare il vostro Concessionario – contattare il vostro Concessionario
17. Con la chiave su «MARCIA», il dispositivo USB non si ricarica	– dispositivo mal collegato – dispositivo scollegato – malfunzionamento del cavo USB – temperatura della presa USB troppo elevata – batteria insufficientemente carica	Mettere la chiave in pos. «ARRESTO» e cercare le cause del guasto: – verificare il collegamento del dispositivo – verificare il collegamento del dispositivo – utilizzare un altro cavo USB – attendere che la presa si raffreddi e riprovare – verificare il voltaggio della batteria ed il sistema di ricarica
18. Il codice di intervallo di manutenzione non si visualizza al raggiungimento della soglia di intervento. (➤ modelli HF2417•••)	– voltaggio della batteria troppo elevato	– verificare il voltaggio della batteria sul display ed attendere che il valore di tensione scenda sotto a 12.7V. Poi riprovare.
19. Il codice di intervallo di manutenzione e la relativa icona non possono essere ripristinati nonostante il motore sia spento. (➤ modelli HF2417•••)		
20. Le ora di guida (4.13.a.1) non vengono contate (➤ modelli HF2417•••)	– regolatore scollegato – guasto al regolatore o alla scheda elettronica	– verificare il collegamento del regolatore – verificare il voltaggio della batteria con motore acceso. Se il valore di tensione è inferiore a 12.7V, il guasto riguarda il regolatore. Se il valore di tensione è superiore a 12.7V, il guasto riguarda la scheda elettronica.
21. Le ora di guida (4.13.a.1) non vengono contate (➤ modelli HF2625•••)	– segnale dei giri motore scollegato – guasto al motore o alla scheda elettronica	– verificare il collegamento del segnale giri motore – verificare il valore numerico e l'indicatore grafico dei giri motore sul display con motore acceso. Se il valore numerico e l'indicatore grafico sono visualizzati, il guasto potrebbe riguardare la scheda elettronica. Se entrambi non sono visualizzati, il guasto riguarda il motore.
22. La luminosità del faro principale a LED si riduce durante il lavoro.	– voltaggio della batteria basso – temperatura del dispositivo elettronico all'interno dell'assieme fari è troppo elevata.	Mettere la chiave in pos. «ARRESTO» e cercare le cause del guasto: – verificare il voltaggio della batteria ed il sistema di carica – attendere un po'. Poi, riavviare.
23. Il faro principale a LED non si accende in condizioni di oscurità, con il faro di posizione (luce a giorno) acceso.	– connettore scollegato – cavo mal collegato – problemi alla scheda elettronica – cablaggio danneggiato	Mettere la chiave in pos. «ARRESTO» e cercare le cause del guasto: – verificare i collegamenti e i cavi – contattare il vostro Concessionario
24. Il faro di posizione (luce a giorno) non ci accende	– connettore scollegato – cavo mal collegato – cablaggio danneggiato	Mettere la chiave in pos. «ARRESTO» e cercare le cause del guasto: – verificare i collegamenti e i cavi – contattare il vostro Concessionario

<p>25. Il motore si arresta, e si attiva un segnale acustico</p>	<p>Intervento della protezione della scheda elettronica a causa di:</p> <ul style="list-style-type: none"> - batteria attivata chimicamente ma non caricata - sovratensione causata dal regolatore di carica - batteria mal collegata (contatti incerti) - massa motore incerta 	<p>Mettere la chiave in pos. «ARRESTO» e cercare le cause del guasto:</p> <ul style="list-style-type: none"> - ricaricare la batteria (☛ 6.2.3) - contattare il vostro Concessionario - verificare i collegamenti (☛ 3.1) - verificare la massa del motore
<p>26. Il motore si arresta, senza alcun segnale acustico</p>	<ul style="list-style-type: none"> - batteria scollegata - mancanza di massa sul motore - problemi al motore 	<ul style="list-style-type: none"> - verificare i collegamenti (☛ 3.1) - verificare la massa motore - contattare il vostro Concessionario
<p>27. I dispositivi di taglio non si innestano</p>	<ul style="list-style-type: none"> - cinghia allentata - problemi all'innesto elettromagnetico 	<ul style="list-style-type: none"> - regolare il registro (☛ 6.3.3) - contattare il vostro Concessionario
<p>28. Taglio irregolare e raccolta insufficiente</p>	<ul style="list-style-type: none"> - assieme dispositivi di taglio non parallelo al terreno - inefficienza dei dispositivi di taglio - velocità di avanzamento elevata in rapporto all'altezza dell'erba da tagliare (5.4.5) - intasamento del canale - l'assieme dispositivi di taglio è pieno d'erba 	<ul style="list-style-type: none"> - controllare la pressione dei pneumatici (☛ 5.3.2) - ripristinare l'allineamento dell'assieme dispositivi di taglio rispetto al terreno (☛ 6.3.2) - controllare il corretto montaggio dei dispositivi di taglio (☛ 6.3.1) - affilare o sostituire i dispositivi di taglio (☛ 6.3.1) - controllare la tensione della cinghia e il filo di innesto del comando dei dispositivi di taglio (☛ 6.3.3) - ridurre la velocità di avanzamento e/o alzare l'altezza dell'assieme dispositivi di taglio. - attendere che l'erba sia asciutta - togliere il sacco e svuotare il canale di espulsione (☛ 5.4.7) - pulire l'assieme dispositivi di taglio (☛ 5.4.11)
<p>29. Vibrazione anomala durante il funzionamento</p>	<ul style="list-style-type: none"> - i dispositivi di taglio sono squilibrati - dispositivi di taglio allentati - fissaggi allentati 	<ul style="list-style-type: none"> - equilibrare o sostituire i dispositivi di taglio se sono danneggiati (☛ 6.3.1) - controllare il fissaggio dei dispositivi di taglio (☛ 6.3.1) - verificare e serrare le viti di fissaggio del motore e del telaio
<p>30. Con il motore in moto, azionando il pedale di trazione, la macchina non si sposta</p>	<ul style="list-style-type: none"> - leva di sblocco in posizione «B» (☛ 4.24) 	<ul style="list-style-type: none"> - riportarla in pos. «A»
<p>31. Difficoltà di azionamento della leva "mulching" (☑️ modelli HF2417HM• - HF2417HT• HF2625H♦️)</p>	<ul style="list-style-type: none"> - La leva non si muove (inconveniente dovuto all'accumulo di erba nel canale di espulsione o nell'assieme dispositivi di taglio) - lo sportello non si chiude correttamente 	<ul style="list-style-type: none"> - togliere il materiale depositato nel canale di espulsione e nell'assieme dispositivi di taglio - contattare il distributore

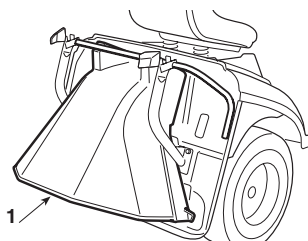
Se gli inconvenienti perdurano dopo aver eseguito le operazioni sopra descritte, contattare il vostro Concessionario.

⚠️ ATTENZIONE! *Non tentare mai di effettuare riparazioni impegnative senza avere i mezzi e le cognizioni tecniche necessarie. Ogni intervento male eseguito, comporta automaticamente il decadimento della Garanzia ed il declino di ogni responsabilità del Costruttore.*

8. ACCESSORI A RICHIESTA

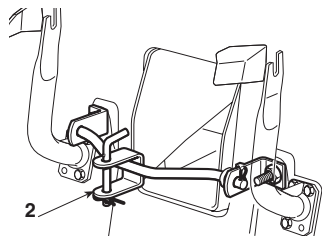
1. KIT PROTEZIONE DI SCARICO 80609-VK1-003

Da usare al posto del sacco di raccolta, quando l'erba non viene raccolta.



2. KIT TRAINO 80596-VK1-003

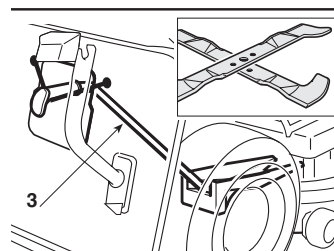
Per trainare un rimorchietto.



3. TAPPO E DISPOSITIVI DI TAGLIO PER "MULCHING"

HF2317: 80597-VK1-003
HF2417HB: 06805-VK1-A10

Per sminuzzare finemente l'erba tagliata e la lasciarla sul prato, in alternativa alla raccolta nel sacco.



⚠️ ATTENZIONE! *Per la vostra sicurezza è tassativamente vietato montare qualsiasi altro accessorio oltre a quelli inclusi nell'elenco sopra riportato, progettati espressamente per il modello e il tipo della vostra macchina.*

9. CARATTERISTICHE TECNICHE

MODELLI	HF2317HME	HF2417HBE	HF2417HME	HF2417HTE	HF2625HMEH	HF2625HTEH
Funzione						
Impianto elettrico	12V	12 V	12 V	12 V	12 V	12 V
Batteria	24 Ah	24 Ah	24 Ah	24 Ah	24 Ah	24 Ah
Motore: HONDA tipo	GCV530	GCV530	GCV530	GCV530	GXV690H	GXV690H
Sistema di raffreddamento	Aria, ventilazione forzata					
Numero e disposizione cilindri (4 tempi)	2 / 90 ° V	2 / 90 ° V	2 / 90 ° V	2 / 90 ° V	2 / 90 ° V	2 / 90 ° V
Disposizione valvole	OHC	OHC	OHC	OHC	OHV	OHV
Cilindrata totale	530 cm ³	530 cm ³	530 cm ³	530 cm ³	690 cm ³	690 cm ³
Potenza effettiva del motore (*)	11,3kW / 3600	11,3 kW / 3600	11,3 kW / 3600	11,3 kW / 3600	16,5 kW / 3600	16,5 kW / 3600
Potenza nominale del motore min ⁻¹	9,7 kW / 2800	9,7 kW / 2800	9,7 kW / 2800	9,7 kW / 2800	13,9 kW / 2800	13,9 kW / 2800
Velocità di esercizio	2800 min ⁻¹ (0,-150)	2800 min ⁻¹ (0,-150)	2800 min ⁻¹ (0,-150)	2800 min ⁻¹ (0,-150)	2800 min ⁻¹ (0,-150)	2800 min ⁻¹ (0,-150)
Tipo di carburante	Benzina senza piombo E10					
Capacità della coppa dell'olio	1,1 litri	1,1 litri	1,1 litri	1,1 litri	1,7 litri	1,7 litri
Pneumatici anteriori	13 x 5,00-6	15 x 6,00-6	15 x 6,00-6	15 x 6,00-6	15 x 6,00-6	15 x 6,00-6
Pneumatici posteriori	18 x 8,50-8	18 x 8,50-8	18 x 8,50-8	18 x 8,50-8	18 x 8,50-8	18 x 8,50-8
Pressione gonfiaggio anteriore	1,5 bar	1,0 bar	1,0 bar	1,0 bar	1,0 bar	1,0 bar
Pressione gonfiaggio posteriore	1,2 bar	1,2 bar	1,2 bar	1,2 bar	1,2 bar	1,2 bar
Capacità del serbatoio carburante	5,4 litri	5,4 litri	8,5 litri	8,5 litri	8,5 litri	8,5 litri
Massa a vuoto (con olio e senza carburante)	221 kg	243 kg	245 kg	256 kg	267 kg	276 kg
Velocità di avanzamento						
in marcia avanti	0 - 8,2 km/h	0 - 8,2 km/h	0 - 8,2 km/h	0 - 8,2 km/h	0 - 8,2 km/h	0 - 8,2 km/h
in retromarcia	0 - 4,2 km/h	0 - 4,2 km/h	0 - 4,2 km/h	0 - 4,2 km/h	0 - 4,2 km/h	0 - 4,2 km/h
Raggio minimo di erba non tagliata	1,0 m	1,0 m	1,0 m	1,0 m	0,8 m	0,8 m
Altezza di taglio	29 ÷ 80 mm	29 ÷ 90 mm	29 ÷ 90 mm	29 ÷ 90 mm	29 ÷ 90 mm	29 ÷ 90 mm
Larghezza di taglio	92 cm	102 cm	102 cm	102 cm	122 cm	122 cm
Capacità del sacco di raccolta	280 litri	300 litri	300 litri	300 litri	350 litri	350 litri
Azionamento del sacco di raccolta	manuale	manuale	manuale	elettrico	manuale	elettrico
Dimensioni (mm)						
A	1150	1150	1150	1150	1150	1150
B	835	880	880	880	880	880
C	950	950	950	950	950	950
D	1870	1870	1870	1870	1870	1870
E	2460	2460	2460	2460	2460	2460
F	960	1060	1060	1060	1250	1250
G	980	990	990	990	990	990
H	1100	1120	1120	1120	1120	1120
I	1290	1290	1290	1290	1290	1290

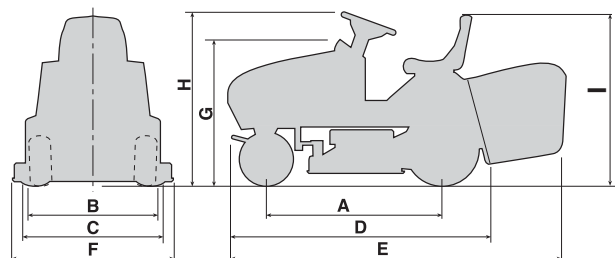
Emissioni di diossido di carbonio (CO₂) (**)

Vedere "Elenco delle informazioni CO₂" su www.honda-engines-eu.com/co2

(**) La misurazione della CO₂ è il risultato di una prova a ciclo fisso in condizioni di laboratorio di un motore (capostipite) che rappresenta il tipo di motore (famiglia di motori) e non implicherà né dimostrerà la garanzia delle prestazioni di un particolare motore.

Valori massimi di rumorosità e vibrazioni

MODELLI	HF2317HME	HF2417HBE	HF2417HME	HF2417HTE	HF2625HMEH	HF2625HTEH	
Livello di potenza acustica garantito (2000/14/CE, 2005/88/CE)	dB(A)	100	100	100	100	105	105
Livello di potenza acustica misurato (2000/14/CE, 2005/88/CE)	dB(A)	100	100	100	100	103	103
Incertezza di misura	dB(A)	0,67	0,34	0,34	0,34	0,77	0,77
Pressione acustica orecchio operatore (EN ISO 5395-1:2013 + A1:2018 / EN ISO 5395-3:2013 + A1:2017 + A2:2018)	dB(A)	85	85	85	85	89	89
Incertezza di misura	dB(A)	0,72	1,20	1,20	1,20	2,03	2,03
Valore effettivo dell'accelerazione sul sedile (EN ISO 5395-1:2013 + A1:2018 / EN ISO 5395-3:2013 + A1:2017 + A2:2018)	m/sec ²	0,8	0,8	0,8	0,8	0,7	0,7
Incertezza di misura	m/sec ²	0,30	0,24	0,24	0,24	0,18	0,18
Valore effettivo dell'accelerazione sul volante (EN ISO 5395-1:2013 + A1:2018 / EN ISO 5395-3:2013 + A1:2017 + A2:2018)	m/sec ²	2,9	3,3	3,3	3,3	3,5	3,5
Incertezza di misura	m/sec ²	1,07	0,93	0,93	0,93	0,97	0,97



(*) Il valore della potenza del motore indicato in questo documento è la potenza effettiva erogata, testata su un motore dei modelli GCV530 e GXV690H di produzione, misurata secondo la norma SAE J1349 a 3600 giri/min. (Potenza effettiva) e a 2800 min⁻¹. (Potenza netta). I motori prodotti in serie possono avere valori diversi. La potenza erogata dal motore montato sulla macchina può variare, in relazione a numerosi fattori, compresi la velocità di esercizio del motore durante l'impiego, le condizioni ambientali, la manutenzione e altre variabili

10. INDICE ALFABETICO

Acceleratore		
Funzione e uso	4.3	
Assieme dispositivi di taglio		
Descrizione	2.2-1	
Lavaggio interno	5.4.11	
Rimozione	6.3.1-a	
Allineamento	6.3.2	
Avviamento		
Procedura per l'avviamento	5.4.1	
Batteria		
Descrizione	2.2-7	
Collegamento	3.1	
Inattività prolungata	5.4.13	
Manutenzione e ricarica	6.2.3	
Cambio di velocità		
Marcia avanti	5.4.2	
Retromarcia	5.4.4	
Canale d'espulsione		
Descrizione	2.2-3	
Svuotamento	5.4.7	
Chiave		
Funzione	4.4	
Choke		
Funzione e uso	4.2	
Dispositivi di taglio		
Descrizione	2.2-2	
Innesto	4.8	
Smontaggio e affilatura	6.3.1-b	
Regolazione dell'innesto	6.3.3	
Dispositivo di mantenimento della velocità		
Funzione e uso	4.9	
Fari		
Comando accensione	4.13-i, 4.13-i.1	
Sostituzione lampada	6.4.8	
Freno		
Funzione del pedale	4.21	
Controllo efficienza	5.3.4	
Uso del freno	5.4.3	
Regolazione	6.3.4	
Freno di stazionamento		
Funzione della leva	4.5	
Fusibile		
Sostituzione	6.4.9	
Manutenzione		
Modalità di esecuzione	6.1 - 6.2	
Motore		
Olio motore	6.4.1	
Filtro olio	6.4.2	
Filtro aria	6.4.3	
Filtro carburante	6.4.4	
Candela	6.4.5	
Mulching		
Leva inserimento	4.12	
Funzione	5.4.8	
Pedali trazione		
Funzione dei pedali	4.22 - 4.23	
Marcia avanti	5.4.2	
Retromarcia	5.4.4	
Pendii		
Precauzioni d'uso	5.5	
Pneumatici		
Pressione di gonfiaggio	5.3.2	
Riparazione e sostituzione	6.4.7	
Presca ausiliaria per accessorio USB		
Funzione	4.10	
Protezione di scarico		
Descrizione	2.2-5	
Montaggio sulla macchina	5.3.5	
Pulizia		
Modalità di esecuzione	5.4.11	
Rifornimenti		
Modalità di rifornimento	5.3.3	
Ruote		
Sostituzione	6.4.6	
Sacco di raccolta		
Descrizione	2.2-4	
Comando ribaltamento	4.11	
Montaggio sulla macchina	5.3.5	
Svuotamento	5.4.6	
Regolazione aggancio	6.3.6	
Sedile		
Descrizione	2.2-8	
Regolazione	5.3.1	
Segnale acustico		
Funzione	4.13-o	
Intervento	5.4.6	
Sicurezza		
Norme generali	1.1	
Etichette e pittogrammi	1.3	
Intervento dei dispositivi	5.2	
Controllo efficienza	5.3.6	
Spie luminose		
Funzione	4.13	
Taglio		
Regolazione altezza	4.6	
Taglio in retromarcia	4.7	
Modalità per il taglio	5.4.5	
Termine del taglio	5.4.9	
Consigli per il taglio	5.7	
Funzione "Mulching"	5.4.8	
Traino		
Prescrizioni	1.4	
Trasporto		
Modalità di esecuzione	5.6	
Trazione alle ruote		
Regolazione della cinghia	6.3.5	
Volante		
Funzione	4.1	

VOORSTELLING

Geachte Klant,

wij danken u omdat u de voorkeur hebt gegeven aan onze producten en wij hopen dat het gebruik van deze zitmaaier u zeer tevreden zal stellen en dat de machine volledig aan uw verwachtingen zal voldoen.

Deze handleiding is geschreven om u vertrouwd te maken met uw machine en om u in staat te stellen haar op de beste en de meest veilige manier te gebruiken: vergeet niet dat deze handleiding een integrerend deel van de machine is, bewaar deze binnen handbereik zodat u haar op elk gewenst moment kunt raadplegen en zorg ervoor dat ze de machine altijd vergezelt ook als u de machine overdraagt aan iemand anders.


Deze nieuwe machine is ontworpen en gemaakt in overeenstemming met de geldende voorschriften en is volkomen veilig en betrouwbaar indien hij gebruikt wordt voor het maaien en opvangen van gras, overeenkomstig de aanwijzingen in deze handleiding (**voorzien gebruik**); het gebruik voor andere doeleinden of het niet in acht nemen van de aangegeven veiligheids-, gebruiks-, onderhouds- en reparatievoorschriften wordt als **"oneigenlijk ge-**

bruik" (☛ 5.1) beschouwd en leidt tot verval van zowel de garantie als de aansprakelijkheid van de fabrikant waardoor de gebruiker zelf verantwoordelijk wordt voor schade of letsel die hijzelf of anderen oplopen.

Mocht u verschillen tegenkomen tussen wat beschreven is en de machine die u bezit, denk er dan aan dat, aangezien het product continu verbeterd wordt, de in deze handleiding opgenomen gegevens zonder voorafgaande kennisgeving en zonder dat de fabrikant verplicht is de handleiding te updaten gewijzigd kunnen worden, waarbij de essentiële kenmerken met het oog op de veiligheid en de werking evenwel onveranderd blijven. Aarzel niet om contact op te nemen met uw dealer als u twijfelt. Wij wensen u een prettig gebruik van de machine toe!

Servicedienst

Deze handleiding verstrekt alle gegevens die u nodig hebt om de machine te kunnen gebruiken en om er op de juiste manier eenvoudige onderhoudswerkzaamheden aan te kunnen verrichten, die de gebruiker zelf kan uitvoeren. Voor interventies die niet in dit boekje worden beschreven, kunt u contact opnemen met uw dealer.

 **H F 2** | _ | _ | _ | _ | _ | _
Vul hier het model van uw machine in

 **M A** | _ | _ | _ | _ | _ | _ | _ | _ | _
Vul hier het serienummer van de machine in

HOE DE HANDLEIDING LEZEN

In de tekst van de handleiding worden enkele paragrafen, die gegevens van bijzonder belang bevatten met betrekking tot de veiligheid of de werking, gekenmerkt door diverse symbolen die de volgende betekenis hebben:

OPMERKING

of

BELANGRIJK

verstrekt nadere gegevens of andere elementen ter aanvulling op hetgeen daarvoor vermeld is, om te voorkomen dat de machine beschadigd wordt of er schade veroorzaakt wordt.

⚠ LET OP!

Gevaar van persoonlijk letsel of letsel aan anderen in geval van niet inachtneming.

⚠ GEVAAR!

Kans op ernstig persoonlijk letsel of ernstig letsel aan anderen met gevaar voor dodelijke ongelukken, in geval van niet inachtneming.

In de handleiding zijn verschillende versies van de machine beschreven, die hoofdzakelijk de volgende verschillen kunnen vertonen:

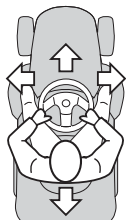
- type aandrijving: met continue hydrostatische regeling van de snelheid;
- bijzondere uitrustingen en/of toebehoren.

Het symbool  geeft elk verschil aan met betrekking tot het gebruik, gevolgd door de indicatie van de versie waar het betrekking op heeft.

Het symbool "☛" verwijst, voor verdere uitleg of informatie, naar een ander punt in de handleiding.

OPMERKING

De aanwijzingen "voor", "achter", "rechts" en "links" hebben betrekking op de zithouding van de gebruiker.

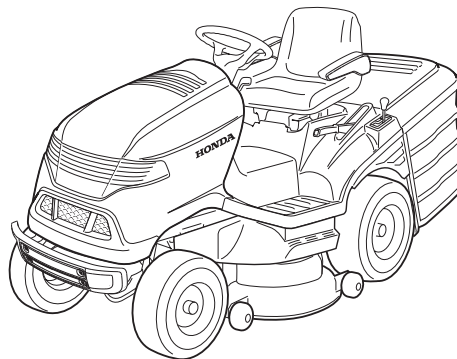


HONDA

VERTALING VAN DE OORSPRONKELIJKE GEBRUIKSAANWIJZING HANDLEIDING

Zitmaaier

HF2317 • HF2417 • HF2625



INHOUDSOPGAVE

1. VEILIGHEIDSVOORSCHRIFTEN	2
Bevat de voorschriften om de machine op een veilige manier te kunnen gebruiken	
2. IDENTIFICATIE VAN DE MACHINE EN DE ONDERDELEN	5
Beschrijft hoe de machine en de voornaamste onderdelen waar zij uit bestaat geïdentificeerd kunnen worden	
3. UITPAKKEN EN VERVOLLEDIGEN	6
Legt uit hoe de verpakking moet worden verwijderd en de montage van de losgemaakte elementen voltooid moet worden	
4. BEDIENINGSELEMENTEN	8
Geeft een overzicht van de plaats waar de bedieningselementen zich bevinden en hoe hun werking is	
5. GEBRUIKSVOORSCHRIFTEN	12
Bevat alle aanwijzingen om goed en veilig te kunnen werken	
5.1 Veiligheidsaanbevelingen	12
5.2 Toepassingen voor de tussenkomst van de beveiligings-systemen	12
5.3 Werkzaamheden vóór de ingebruikname	13
5.4 Gebruik van de machine	14
5.5 Gebruik op hellend terrein	18
5.6 Transportpositie	18
5.7 Enige raadgevingen voor een mooi maaibeeld	18
5.8 Overzicht van de belangrijkste handelingen tijdens het gebruik	19
6. ONDERHOUD	19
Bevat alle informatie die nodig is om de machine werkzaam te houden	
6.1 Veiligheidsaanbevelingen	19
6.2 Regelmatig onderhoud	20
6.3 Controles en afstellingen	21
6.4 Demontage en vervangingen	24
7. RICHTLIJNEN OM PROBLEMEN VAST TE STELLEN	27
Stellen u in staat om eventuele problemen tijdens het gebruik snel zelf te verhelpen	
8. OP AANVRAAG LEVERBARE ACCESSOIRES	29
De verkrijgbare accessoires worden geïllustreerd met het oog op de bijzondere eisen die aan de machine gesteld worden	
9. TECHNISCHE EIGENSCHAPPEN	30
Geeft een overzicht van de belangrijkste eigenschappen van uw machine	
10. ALFABETISCHE INHOUDSOPGAVE	31
Geeft aan waar u de informatie kan vinden	

LIJST BELANGRIJKSTE DEALERS HONDA i

"EC Verklaring van Overeenstemming"

INHOUD OVERZICHT ii

NEDERLANDS

Honda France Manufacturing S.A.S.

Pôle 45 - Rue des Châtaigniers - 45140 ORMES - FRANCE

Alle rechten voorbehouden 12-2019 Gedrukt in Italië

HF2315 - HF2417K5 - HF2625

1. VEILIGHEIDSVOORSCHRIFTEN

1.1 ALGEMENE VEILIGHEIDSVOORSCHRIFTEN

⚠ LET OP! **VOORALEER DE MACHINE TE GEBRUIKEN, DIENT MEN DEZE HANDLEIDING AANDACHTIG TE LEZEN. Bewaren voor toekomstige behoeften.**

A) VOORBEREIDING

1) LET OP! Lees deze aanwijzingen aandachtig alvorens de machine te gebruiken. Zorg dat u vertrouwd raakt met de bedieningsknoppen en in staat bent de machine op de juiste wijze te gebruiken. Leer de motor snel af te zetten. Het niet in acht nemen van de voorschriften en instructies kan brand en/of ernstige letsels veroorzaken. Bewaar alle waarschuwingen en instructies om ze in de toekomst te kunnen raadplegen.

2) Laat nooit toe dat de machine gebruikt wordt door kinderen of door personen die niet vertrouwd zijn met deze aanwijzingen. De minimale leeftijd van de gebruiker kan landelijk gereguleerd zijn.

3) Gebruik de machine nooit als er personen, met name kinderen, of dieren in de buurt zijn.

4) Gebruik de machine nooit indien de gebruiker vermoeid of onwel is, of indien hij geneesmiddelen, drugs, alcohol of andere stoffen ingenomen heeft die negatieve invloed kunnen hebben zijn voor zijn reactievermogen en aandacht.

5) Denk eraan dat de persoon die de machine bedient of de gebruiker aansprakelijk is voor ongevallen en onvoorziene gebeurtenissen die personen of hun eigendommen kunnen overkomen. Het valt onder de verantwoordelijkheid van de gebruiker om de risico's, die het terrein waarop hij moet werken met zich mee kan brengen, te beoordelen en om alle nodige voorzorgsmaatregelen te treffen met het oog op zijn eigen veiligheid en die van anderen, met name op hellingen, hobbelige, gladde of instabiele terreinen.

6) Indien men de machine aan derden wil geven of lenen, moet men zich ervan verzekeren dat de gebruiker de gebruiksaanwijzingen in dit handboek doorneemt.

7) Vervoer geen kinderen of andere passagiers op de machine, aangezien deze zouden kunnen vallen en zware letsels kunnen opdoen en een veilig rijgedrag in het gedrang brengen.

8) De bestuurder van de machine moet nauwgezet de instructies voor het rijden in acht nemen en met name:

- Zich niet laten afleiden en de nodige concentratie behouden tijdens het werk;
- Denk eraan dat een machine die van een helling afglijdt niet met de rem gestopt kan worden. De voornaamste oorzaken waardoor de macht over het stuur kwijt geraakt kan worden zijn:
 - Onvoldoende grip van de wielen;
 - Overdreven snelheid;
 - Niet passende remming;
 - De machine is niet geschikt voor het doel waarvoor zij gebruikt wordt;
 - Gebrek aan kennis van de gevolgen die de toestand waarin het terrein zich bevindt, kan hebben en in het bijzonder hellingen;
 - Onjuist gebruik als trekvoertuig.

9) De machine is voorzien van een reeks microschemelaars en veiligheidsinrichtingen die nooit gewijzigd of verwijderd mogen worden, op straffe van het verval van de garantie en de afwijzing van alle aansprakelijkheid vanwege de fabrikant. Vooraleer de machine te gebruiken, dient men steeds na te gaan of de veiligheidsinrichtingen werkzaam zijn.

B) VÓÓR HET GEBRUIK

1) Gebruik tijdens het gebruik van de machine steeds stevige antislip-werkschoenen en een lange broek. Bedien de machine niet met blote voeten of met open sandalen. Draag geen sjaal, hemd, halsketting, armbanden, kledij met losse delen, of met bandjes of dassen of andere hangende of wijde accessoires die vastgegrepen kunnen worden door de machine of voorwerpen en materiaal aanwezig op de werkplaats. Lang haar moet zorgvuldig bijeengebonden worden.

Draag gehoorsbeschermingen.

2) Het gebruik van gehoorbeschermers kan het vermogen eventuele waarschuwingen (roepen of alarmen) te horen, verminderen. Verleen de maximale aandacht aan wat rond de werkzone gebeurt.

3) Controleer grondig de hele werkzone en verwijder alles wat van de machine weg zou kunnen springen of de snijgroep en de motor zou kunnen beschadigen (keien, takken, ijzerdraad, beenderen, enz.).

4) LET OP: GEVAAR! Benzine is bijzonder brandbaar.

– Bewaar de brandstof in speciale houders die daarvoor gehomologeerd zijn, op een veilige plaats, uit de buurt van warmtebronnen of vrije vlammen; Laat de houders niet binnen bereik van kinderen staan.

– Vul de brandstof, met een trechter, alleen buiten en rook niet tijdens deze werkzaamheden en wanneer u met de brandstof bezig bent;

– Giet de brandstof in de tank vóórdát u de motor aanzet: als de motor aanstaat of warm is mag u geen benzine toevoegen of de dop van de benzinetank afdraaien;

– Als u benzine gemorst hebt, mag u de motor niet starten maar dient u de machine uit de buurt van de plek waar u de benzine gemorst hebt te brengen en voorkomen dat er brand ontstaat. U dient te wachten totdat de brandstof verdampt is en de benzinedampen opgelost zijn;

– Draai de dop altijd weer goed op de tank van de machine en het benzinereservoir.

– Vermijd inademing van de dampen van de brandstof.

– Open de dop van het reservoir langzaam om de interne druk geleidelijk aan af te laten.

– Start de machine nooit op de plaats waar de brandstof bijgevuld werd; de motor moet steeds gestart worden op een afstand van minstens 3 meter van de plaats waar de brandstof bijgevuld werd.

– Zorg ervoor dat de brandstof niet in aanraking komt met de kledij en trek in ieder geval steeds nieuwe kleren aan vooraleer de motor op te starten.

5) Vervang de geluiddempers als deze defect zijn.

6) Ga vóór het gebruik over op een algemene controle van de machine, en in het bijzonder:

Controleer het uitzicht van de snij-inrichting, en controleer of de schroeven en de snijgroep niet versleten of beschadigd zijn. Vervang de snij-inrichtingen en de beschadigde of versleten schroeven en bloc om ervoor te zorgen dat het maaidek in balans blijft. Eventuele herstellingen moeten nabij een gespecialiseerd centrum uitgevoerd worden.

7) Controleer regelmatig de staat van de accu, Vervang ze in geval van beschadigingen aan het omhulsel, aan het deksel of aan de klemmen.

8) Vooraleer het werk aan te vangen, dient men steeds de beschermingen op de uitgang te monteren (opvangzak, zijdelingse aflatbeveiliging of achterste aflatbeveiliging).

C) TIJDENS HET GEBRUIK

1) Start de motor niet in gesloten ruimten waar zich gevaarlijke koolstofmonoxide kan ontwikkelen. De machine dient altijd in de open lucht of in een goed geventileerde ruimte gestart te worden. Denk er altijd aan dat de uitlaatgassen giftig zijn. Richt, tijdens het opstarten van de machine, de geluiddemper en dus de uitlaatgassen nooit naar ontvlambare materialen.

2) Werk enkel bij daglicht of met een goede kunstmatige verlichting en bij goede zichtbaarheid. Verwijder personen, kinderen en dieren uit de werkzone. De kinderen moeten onder toezicht van een andere volwassene staan.

3) Werk niet op nat gras, bij regen of bij risico op onweer, in het bijzonder wanneer er kans op bliksem bestaat.

4) Alvorens de motor op te starten, dient men de snij-inrichting of de krachtafnemer te ontkoppelen en de aandrijving vrij te zetten.

5) Let bijzonder goed op bij het benaderen van hindernissen die de zichtbaarheid kunnen beperken.

6) Schakel de handrem in wanneer de machine geparkeerd wordt.

7) De machine mag nooit gebruikt worden op hellingen van meer dan 10° (17%), onafgezien van de looprichting.

8) Denk eraan dat er geen "veilige" hellingen bestaan. Let bijzonder goed op bij hellingen. Om omkantelen of verlies van controle over de

machine te vermijden, raadt men aan:

- Niet plotseling te stoppen of weg te rijden bij het op- of afrijden van een helling;
- De koppeling altijd langzaam in te schakelen en altijd de versnelling ingeschakeld te houden, vooral bij het afrijden van een helling;
- De snelheid op hellingen en in smalle bochten laag te houden;
- Goed op bobbels, goten en verborgen gevaren te letten;
- Het gazon in geen geval te maaien in de dwarsrichting ten opzichte van de helling. Maai een hellend gazon altijd van boven naar beneden en nooit in de dwarsrichting. Pas erg goed op bij het veranderen van richting en let erop niet op obstakels te stuiten (bijv. stenen, takken, wortels, enz.). Deze obstakels kunnen het zijwaarts glijden en het omkiepen van de machine veroorzaken of de macht over het stuur doen verliezen.

9) Vertraag de snelheid op hellingen alvorens van richting te veranderen. Op een helling dient de handrem altijd te worden ingeschakeld alvorens de machine te verlaten en onbeheerd achter te laten.

10) Wees zeer voorzichtig nabij ravijnen, grachten of dijken. De machine kan omkantelen indien een wiel over de rand gaat of indien de rand inzakt.

11) Let zeer goed op bij het achteruit rijden en werken. Kijk achteruit voor en na het achteruit rijden om u ervan te verzekeren dat er geen hindernissen zijn.

12) Let op bij het trekken van lasten of zware gereedschappen:

- Gebruik voor de trekstangen alleen de goedgekeurde bevestigingspunten;
- Leg alleen gemakkelijk controleerbare lasten op;
- Neem geen scherpe bochten. Let op bij het achteruit rijden;
- Gebruik tegengewichten of gewichten op de wielen wanneer dit wordt aangeraden in de gebruiksaanwijzing.

13) Schakel de snij-inrichting of de krachtafnemer uit bij het oversteken van zones zonder gras, bij het verplaatsen van of naar de zone die gemaaid moet worden en breng de snijgroep omhoog.

14) Let goed op het verkeer, wanneer de machine dicht bij de straat gebruikt wordt.

15) LET OP! De machine is niet goedgekeurd om op de openbare weg te rijden. Ze mag (volgens het Wegverkeersreglement) uitsluitend gebruikt worden op privé-terrein dat voor verkeer gesloten is.

16) Gebruik de machine nooit wanneer de beveiligingen beschadigd zijn, ontbreken of niet correct geplaatst zijn (opvangzak, zijdelingse aflatbescherming, achterste aflatbescherming).

17) Houd de handen en voeten altijd ver van de snij-inrichting, zowel wanneer de motor gestart wordt als tijdens het gebruik van de machine. Let op: het snij-element blijft gedurende enkele seconden na zijn afkoppeling of na uitschakeling van de motor draaien. Blijf steeds op afstand van de aflatopening.

18) De machine niet in hoog gras laten staan met een draaiende motor, teneinde geen risico op brand te veroorzaken.

19) De aflat nooit op personen richten wanneer de toebehoren gebruikt worden.

20) Gebruik enkel toebehoren die goedgekeurd werden door de fabrikant van de machine.

21) Gebruik de machine niet indien de toebehoren/werktuigen niet op de voorziene plaatsen geïnstalleerd zijn.

22) Let op bij het gebruik van opvangzakken en toebehoren die de stabiliteit van de machine kan wijzigen, in het bijzonder op hellingen.

23) Wijzig de afstelling van de motor niet en laat het toerental van de motor niet buitengewoon hoog oplopen.

24) Raak de onderdelen van de motor die tijdens het gebruik heet worden, niet aan. Risico op brandwonden.

25) Ontkoppel de snij-inrichting of de krachtafnemer, zet in vrije stand en schakel de handrem in, stop de motor en verwijder de sleutel, (verzekeer u ervan dat alle bewegende delen volledig stil staan):

- Elke keer wanneer men de machine onbewaakt laat of de bestuurdersplaats verlaat;
- Vooraleer blokkeringen te verhelpen of vooraleer het windkanaal vrij te maken;
- Vóórdat u de machine controleert, schoonmaakt of eraan werkt;
- Nadat er op een vreemd voorwerp gestoten is. Controleer de machine op eventuele beschadigingen en voer de nodige reparaties uit alvorens ze opnieuw te gebruiken.

26) Ontkoppel de snij-inrichting of de krachtafnemer en stop de motor, (verzekeer u ervan dat alle bewegende delen volledig stil staan):

- Alvorens brandstof bij te vullen;
- Elke keer wanneer u de opvangzak verwijdert of opnieuw monteert;
- Elke keer wanneer u de aflatdeflector verwijdert of opnieuw monteert.

– Vooraleer de maaihoogte af te stellen indien dit niet vanuit de plaats van de bestuurder uitgevoerd kan worden.

27) Ontkoppel de snij-inrichting of de krachtafnemer tijdens het vervoer en telkens wanneer deze niet gebruikt worden.

28) Geef gas terug vooraleer de motor stil te zetten. Sluit de toevoer van de brandstof af aan het einde van het werk, volgens de aanwijzingen in het handboekje.

29) Let goed op de snijgroep met meerdere snij-inrichtingen, aangezien een draaiende snij-inrichting ook de andere zou kunnen doen draaien.

30) De aanwezige veiligheidsinrichtingen/microschakelaars niet uitschakelen, afschakelen, verwijderen of schenden.

31) LET OP: – In geval van breuken of ongevallen tijdens het werk, dient men de motor onmiddellijk stil te zetten en de machine te verwijderen om geen verdere schade te berokkenen; in geval van ongevallen met persoonlijke letsels of letsels aan derden, dient men onmiddellijk de meest geschikte eerste-hulp-procedures te volgen voor de situatie en zich tot een gezondheidsstructuur te richten voor de nodige zorgen. Verwijder zorgvuldig eventuele resten die schade of letsels aan personen of dieren kunnen veroorzaken indien ze onopgemerkt blijven.

32) LET OP – Het niveau van het geluid en van de trillingen dat aangegeven is in deze handleiding, zijn de maximale waarden voor het gebruik van de machine. Het gebruik van een niet gebalanceerde snij-inrichting, een overdreven snelheid van de beweging en gebrek aan onderhoud hebben een negatieve invloed op het geluidsniveau en op de trillingen. Bijgevolg is het noodzakelijk preventieve maatregelen te treffen om mogelijke schade ten gevolge van een hoog geluidsniveau en stress van trillingen te vermijden; zorg voor het onderhoud van de machine, draag gehoorbescherming, maak pauzes tijdens het werk.

33) Gebruik geen USB-accessoires tijdens het maaien of tijdens het rijden.

D) ONDERHOUD EN OPSLAG

1) LET OP! – Haal de sleutel uit het contact en lees de bijgeleverde instructies alvorens enige reinigungs-, of onderhoudswerkzaamheden te verrichten. Draag geschikte kleding en werkhandschoenen voor alle handelingen die gevaarlijk kunnen zijn voor de handen.

2) LET OP! – Gebruik de machine nooit als er onderdelen versleten of beschadigd zijn. De defecte of beschadigde onderdelen moeten vervangen en niet gerepareerd worden. Gebruik uitsluitend originele reserveonderdelen: het gebruik van niet originele en/of niet goed gemonteerde onderdelen beïnvloedt de veiligheid van de machine, kan ongelukken of persoonlijk letsel aanrichten en de fabrikant kan hiervoor niet aansprakelijk gesteld worden.

3) Alle onderhoudshandelingen en afstellingen die niet beschreven zijn in deze handleiding moeten uitgevoerd worden door uw Verkooper of in een gespecialiseerd Centrum dat beschikt over de nodige kennis en uitrustingen om de werken correct uit te voeren, met respect voor het oorspronkelijk niveau van veiligheid van de machine. Handelingen die uitgevoerd werden in niet geschikte structuren of door onbekwame personen doen elke vorm van garantie en alle verplichtingen of aansprakelijkheid van de Fabrikant vervallen.

4) Verwijder na ieder gebruik de sleutel en controleer of er geen beschadigingen zijn.

5) Laat bouten en schroeven vastgedraaid zitten om er zeker van te zijn dat de machine altijd op een veilige manier gebruiksklaar is. Als u regelmatig onderhoud pleegt, zal de werking ervan veilig blijven en zal het prestatieniveau bewaard blijven.

6) Controleer regelmatig of de schroeven van de snij-inrichting correct vastgedraaid zijn.

7) Draag werkhandschoenen om de snij-inrichtingen te hanteren, te demonteren of opnieuw te monteren.

8) Let op de balans van de snij-inrichtingen, wanneer deze geslepen worden. Alle handelingen die betrekking hebben op de snij-inrichtingen (demontage, slijpen, in balans brengen, hermontage en/of vervanging) vergen een specifieke vaardigheid en het gebruik van geschikt gereedschap; uit veiligheidsoverwegingen moeten deze handelingen daarom steeds uitgevoerd worden in een gespecialiseerd centrum.

9) Controleer regelmatig de werkzaamheid van de remmen. Het is zeer belangrijk het onderhoud van de remmen goed uit te voeren en, indien nodig, ze te herstellen.

10) Controleer regelmatig de zijdelingse aflatbeveiliging, of de aflatbeveiliging, de opvangzak en het zuigrooster. Vervang ze indien ze beschadigd zijn.

11) Vervang de labels met instructies en waarschuwingen, indien deze beschadigd zijn.

12) Als de machine opgeborgen of onbeheerd achtergelaten moet worden, dient de snijgroep omlaag gezet te worden.

13) Berg de machine op in een plaats die niet toegankelijk is voor kinderen.

14) Zet de machine niet met benzine in de tank in een ruimte waar de benzinedampen met vlammen, vonken of een warmtebron in aanraking zouden kunnen komen.

15) Laat de motor eerst afkoelen alvorens de machine de machine in eender welke ruimte op te bergen.

16) Om brandgevaar zoveel mogelijk te beperken dienen de motor, de geluiddemper van de uitlaat, de accubak en de benzinetank vrij gehouden te worden van gras, bladeren of teveel vet. Leeg de opvangzak en laat geen containers met gemaaid gras in gesloten ruimtes achter.

17) Om het risico op brand te verminderen, dient men regelmatig na te gaan of er geen olie- en/of brandstoflekken zijn.

18) Als u de tank moet ledigen, dient u dit in de open lucht te doen en wanneer de motor koud is.

19) Laat de sleutels nooit op de machine zitten, of laat ze niet binnen het bereik van kinderen of niet geschikte personen. Haal de sleutel uit het contact alvorens enige onderhoudswerkzaamheden te verrichten.

20) Tijdens de afstellingen van de machine, moet men erop letten dat de vingers niet tussen de bewegende snij-inrichting en de vaste delen van de machine verklemd geraken.

E) TRANSPORT

1) LET OP! - Als de machine op een vrachtwagen of op een oplegger vervoerd moet worden, dient men toegangshellingen met geschikte draagkracht, breedte en lengte te gebruiken. Laat de machine met de motor uitgeschakeld, zonder bestuurder en enkel duwend, met een geschikt aantal personen. Laat de snijgroep of het accessoire tijdens het transport zakken, schakel de parkeerrem in, plaats ze zodat niemand gevaar loopt en bevestig ze aan het vervoersmiddel met koorden of kettingen om te vermijden dat ze kantelt en zo eventueel beschadigd kan worden of dat er brandstof zou kunnen lekken.

F) MILIEUBESCHERMING

1) De milieubescherming moet een belangrijk en prioritair aspect vormen voor het gebruik van de machine, ten gunste van de civiele samenleving en de omgeving waarin we leven. Wees geen storend element voor uw burens.

2) Volg nauwgezet de plaatselijke normen voor het verwerken van de verpakking, olie, benzine, filters, versleten delen of eender welk element met een sterke invloed op de omgeving; dit afval mag niet met de huisafval weggeworpen worden, maar moet gescheiden worden en aan speciale verzamelcentra toevertrouwd worden, die de recyclage van de materialen zullen verzorgen.

3) Volg nauwkeurig de lokale normen op voor de afdanking van het snijafval.

4) Bij het buiten bedrijf stellen van de machine, mag deze nooit in het milieu achtergelaten worden maar moet ze naar een opvangcentrum gebracht worden, volgens de geldende lokale normen.

1.2 BESCHRIJVING VAN DE MACHINE EN GEBRUIKSGBIED

Deze machine is een tuingereedschap en met name een grasmaaier met zittende bediener.

De machine is voorzien van een motor, die de snij-inrichting inschakelt, beschermd door een carter, en een aandrijvingsgroep die de beweging aan de machine doorgeeft.

De bediener kan de machine bedienen en de hoofdcommando's inschakelen terwijl hij steeds op zijn plaats blijft zitten.

De inrichtingen die op de machine gemonteerd zijn, zorgen voor het stilvallen van de motor en de snij-inrichting binnen enkele seconden indien de handelingen van de bediener niet overeenstemmen met

de voorziene veiligheidscondities.

Voorzien gebruik

Deze machine is ontworpen en gebouwd voor het maaien van gras. Het gebruik van bijzonder toebehoren, voorzien door de Fabrikant als oorspronkelijke uitrusting of afzonderlijk aan te kopen, staat toe dit werk uit te voeren volgens de verschillende werkwijzen die in deze handleiding of in de instructies die met het toebehoren geleverd worden, beschreven zijn.

Tegelijkertijd kan de mogelijkheid bijkomend toebehoren te gebruiken (indien voorzien door de Fabrikant) het gebruik ervan uitbreiden naar andere functies, volgens de limieten en condities die beschreven zijn in de instructies die het toebehoren zelf vergezellen.

Type gebruiker

Deze machine is bestemd voor gebruik door consumenten, d.w.z. door niet professionele bedieners, aan de eerste ervaring en/of onervaren. Deze machine is bestemd voor een amateurieel gebruik.

Onjuist gebruik

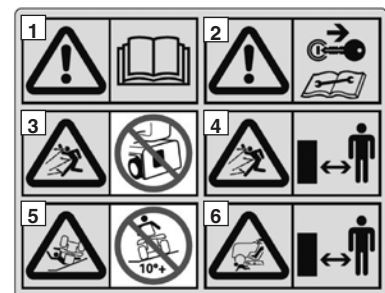
Eender welk ander gebruik, dat afwijkt van wat hierboven beschreven is, kan gevaarlijk zijn en schade berokkenen aan personen en/of zaken. De volgende situaties behoren tot het onjuist gebruik (bijvoorbeeld, maar niet uitsluitend):

- andere personen, kinderen of dieren op de machine of op een oplegger vervoeren;
- ladingen trekken of duwen zonder het gebruik van het daarvoor bestemde toebehoren voor het slepen;
- gebruik van de machine op onstabiele, gladde, bevroren, stenige of oneffen terreinen, in geval van plassen of moerassen die niet toestaan de consistentie van het terrein in te schatten;
- de snij-inrichting aanschakelen op zones zonder gras;
- gebruik van de machine voor het verzamelen van bladeren of afval.

Het onjuist gebruik brengt verval van zowel de garantie als de aansprakelijkheid van de fabrikant teweeg waardoor de gebruiker zelf verantwoordelijk is voor schade of letsel die zichzelf of anderen oplopen.

1.3 VEILIGHEIDSTICKERS

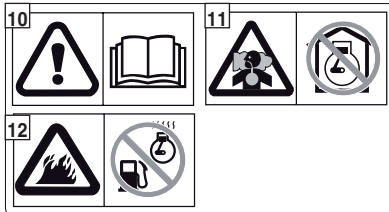
Uw machine dient met voorzichtigheid te worden gebruikt. Om daaraan herinnerd te worden bevinden zich op de machine een aantal stickers die door middel van afbeeldingen op de belangrijkste voorzorgsmaatregelen wijzen. Deze afbeeldingen worden als een aanvullend deel van de machine beschouwd. Als een sticker loslaat of onleesbaar wordt, dient er contact met de leverancier te worden opgenomen voor vervanging. Hun betekenis is hieronder weergegeven.



- 1 = **Let op:** Lees de aanwijzingen alvorens de machine te gebruiken.
- 2 = **Let op:** Haal de sleutel uit het contact en lees de instructies alvorens elke willekeurige onderhouds- of reparatie-ingreep uit te voeren.
- 3 = **Gevaar! Wegschietende voorwerpen:** Niet werken zonder de achterste aflatbeveiliging of de opvangzak erop bevestigd te hebben.
- 4 = **Gevaar! Wegschietende voorwerpen:** Houd personen op een afstand.
- 5 = **Gevaar! Omkantelen van de machine:** Gebruik deze machine niet op hellingen van meer dan 10°.
- 6 = **Gevaar! Verminking:** Zorg ervoor dat kinderen op een afstand van de machine blijven als de motor aanstaat.
- 6a = Steun niet op de beschermingen van de snijgroep om op de machine te klimmen.



- 7 = **Gevaar voor snijwonden.** Bewegende snij-inrichtingen. Steek uw handen of voeten niet in de holte van de snij-inrichtingen
- 8 = **Let op:** Knoei niet met de microschakelaar.
- 9 = **Voorkom letsels door meeslepen van de riemen:** Schakel de machine niet aan wanneer de beschermingen niet gemonteerd zijn. Blijf op afstand van de riemen.



- 10 = **Let op:** Lees de aanwijzingen alvorens de machine te gebruiken.
- 11 = **Let op:** De motor geeft koolmonoxide af, een giftig gas. Niet inschakelen in een gesloten ruimte.
- 12 = **Let op!** De benzine is uiterst ontvlambaar en ontplofbaar. Stop de motor en laat hem afkoelen voordat u tankt.



- 13 = **Let op:** Tijdens het gebruik wordt de geluiddemper erg heet en blijft dat nog enige tijd, zelfs nadat de motor is gestopt.



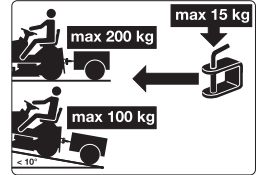
- 14 = **Recycleerbaar product.** Bevat lood. Niet in het milieu weggooien en verwerken volgens de geldende voorschriften.



- 15 = **Ontvlambare dampen** - Geen open vuur in de nabijheid brengen.
- 16 = Draag een beschermende bril.
- 17 = Buiten het bereik van kinderen houden.
- 18 = **Corrosieve vloeistof.** In geval van contact, onmiddellijk wassen met water en een arts raadplegen
- 19 = Lees de gebruiksaanwijzingen.
- 20 = Risico op ontploffing.

1.4 VOORSCHRIFTEN VOOR DE AANDRIJVING

Op aanvraag is er een set leverbaar waarmee het mogelijk is een kleine aanhanger voort te trekken; dit accessoire dient volgens de desbetreffende aanwijzingen gemonteerd te worden.



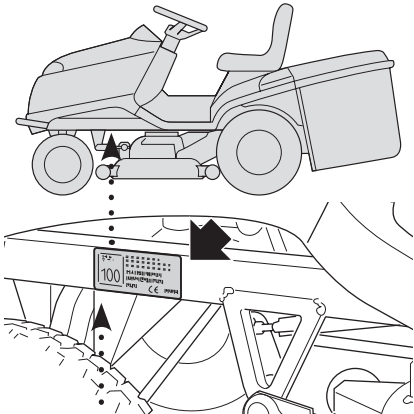
Bij gebruik van de aandrijving mag het laadvermogen, dat op de sticker vermeld is, niet overschreden worden en dienen de veiligheidsvoorschriften in acht genomen te worden, (zie 1.2, C-6).

Totaal trekbaar gewicht: op vlakke ondergrond: 200 kg of minder
op een helling (10° of minder): 100 kg of minder

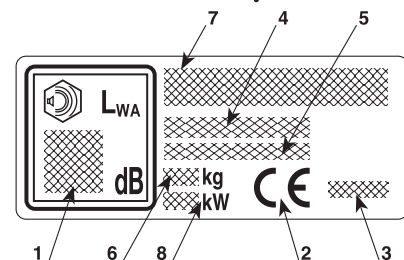
2. IDENTIFICATIE VAN DE MACHINE EN DE COMPONENTEN

2.1 IDENTIFICATIE VAN DE MACHINE

Het identificatielabel aan de linkerkant van het frame bevat de essentiële gegevens van elke machine.



Het serienummer (5) is onmisbaar als er technische hulp gevraagd wordt en voor het bestellen van de reserveonderdelen.



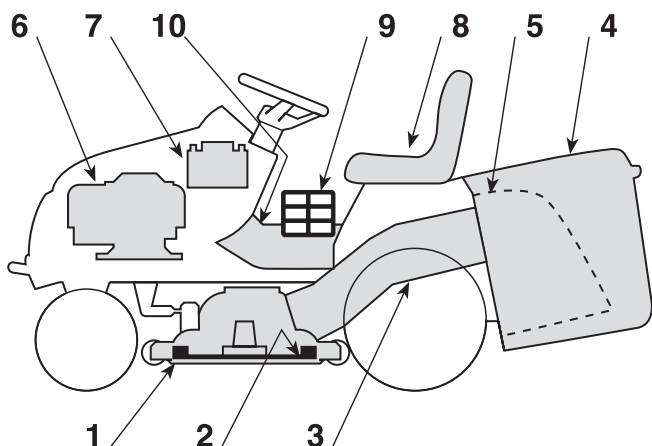
1. Geluidsniveau volgens de richtlijnen 2000/14/CE, 2005/88/CE
2. Conformiteitskenteken volgens de richtlijnen 2006/42/CE, 2005/88/CE, 2014/30/EU
3. Bouwjaar
4. Machinetype
5. Serienummer
6. Gewicht in kg (bij leeg reservoir)
7. De naam en het adres van de Fabrikant zijn aangegeven in de "EG-Verklaring van Overeenkomst" – OVERZICHT INHOUD die deel uitmaken van deze Handleiding.
8. Nominaal vermogen van de motor (bij 2800 min⁻¹)

HOE UW MACHINE HERKENNEN

Dit boekje beschrijft de werkzaamheden voor voorbereiding, gebruik en onderhoud van een reeks machines die hier en daar verschillen vertonen; daarom is het belangrijk dat u met zekerheid het model van uw machine identificeert om alle informatie die erop betrekking heeft correct te kunnen volgen.

Het model van uw machine wordt aangegeven in het "identificatielabel" in punt 4 en bestaat uit een reeks letters en cijfers.

Op de volgende pagina's van dit boekje wordt elke handeling met betrekking tot een of meer specifieke modellen voorafgegaan door de aanduiding van de modellen waarnaar het verwijst; als er geen indicatie verschijnt, moet deze beschrijving beschouwd worden als geldig voor alle modellen.



2.2 IDENTIFICATIE VAN DE HOOFDCOMPONENTEN

De machine bestaat uit een serie hoofdcomponenten die de volgende werking hebben:

- 1. Snijgroep:** dit is de carter die de draaiende snij-inrichtingen omvat.
- 2. Snij-inrichtingen:** dit zijn de elementen die ervoor dienen om het gras te maaien; de vleugeltjes die aan de uiteinden zitten, bevorderen de afvoer van het gemaaid gras naar het uitwerpkanaal.
- 3. Uitwerpkanaal:** dit is het verbindingselement tussen het maaidek en de opvangzak.
- 4. Opvangzak:** dient niet alleen om het gemaaid gras op te vangen, maar vormt bovendien een veiligheidselement, daar het voorkomt dat eventuele voorwerpen, die door de snij-inrichtingen meegenomen worden, ver van de machine weg kunnen schieten.
- 5. Achterste aflatbeveiliging (beschikbaar op aanvraag):** wanneer deze op de plaats van de opvangzak gemonteerd is, verhindert ze dat eventuele voorwerpen die door de snij-inrichting opgevangen werden, ver van de machine weg kunnen schieten.
- 6. Motor:** brengt de beweging naar zowel de snij-inrichtingen als de wielaandrijving over;
- 7. Accu:** levert de energie om de motor te kunnen starten; de kenmerken en gebruiksvorschriften staan in een specifieke handleiding aangegeven.
- 8. Bestuurdersplaats:** dit is de werkplaats van de bestuurder, uitgerust met een sensor die de aanwezigheid van de bestuurder waarneemt met het oog op de werking van de beveiligingssystemen.
- 9. Stickers met aanwijzingen en veiligheidsvoorschriften:** wijzen op de belangrijkste maatregelen die getroffen moeten worden om veilig te kunnen werken. Hun betekenis wordt uitgelegd in hoofdstuk 1.
- 10. Inspectiedeurkje:** om toegang te verkrijgen om enkele afstellingen uit te voeren.

3. UITPAKKEN EN VERVOLLEDIGEN

Om vervoers- en opslagredenen worden sommige onderdelen van machine niet in de fabriek gemonteerd. Zij dienen na het uitpakken gemonteerd te worden aan de hand van de volgende instructies.

⚠ LET OP! *De machine moet op een vlakke en solide ondergrond uitgepakt en gemonteerd worden, met voldoende bewegingsruimte voor de machine en de verpakking, en steeds met gebruik van geschikte werktuigen. Gebruik de machine niet vooraleer de aanwijzingen van de sectie "MON-TAGE" teneinde gebracht te hebben.*

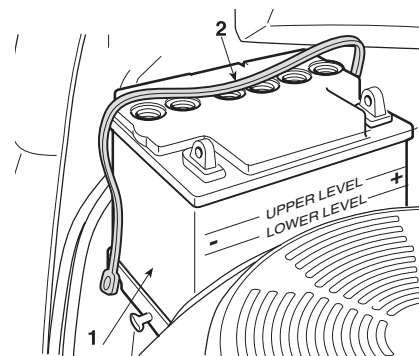
3.1 ACTIVERING EN AANSLUITING VAN DE ACCU

BELANGRIJK ACCU PLAT!

De accu (1) bevindt zich achter de motor en wordt op zijn plaats gehouden met een elastische trekker (2).

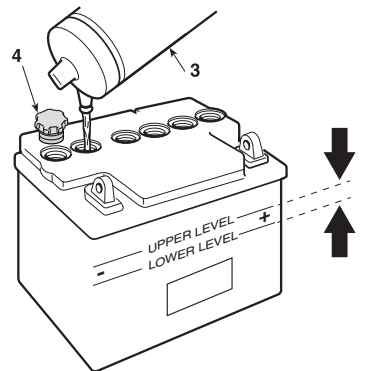
Haak de elastische opspanner (2) los en verwijder de accu.

Verwijder de afdichtingstape en giet de elektrolytische oplossing (3) (verdund zwavelzuur, niet meegeleverd: soortelijk gewicht 1,280) gelijkmatig verdeeld over de zes elementen, tot het referentieniveau "HOOG NIVEAU" bereikt wordt dat op de accu aangegeven is.



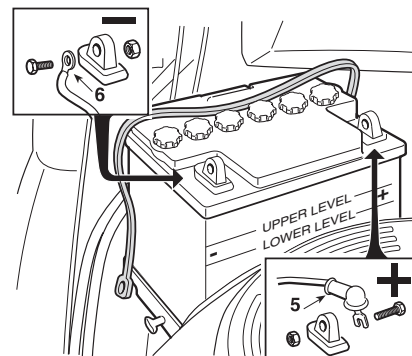
BELANGRIJK *Op het moment van het vullen mag de elektrolytoplossing niet meer dan 30°C/86°F bedragen).*

Laat de accu na het vullen minimaal een half uur in rust. Het niveau van de elektrolytoplossing moet dalen. Giet opnieuw elektrolytoplossing tot aan het referentieniveau "UPPER LEVEL".



Het niveau moet steeds tussen de referenties "UPPER LEVEL" en "LOWER LEVEL" op de accu blijven.

Plaats en sluit de vier (4) meegeleverde doppen en laad de accu op.



BELANGRIJK Laad

de accu na activering altijd volledig op. Wend u tot uw Dealer, die over de gepaste uitrustingen beschikt. De bijgeleverde acculader is NIET in staat om de eerste lading na de activering te volbrengen.

Sluit eerst de rode draad (5) aan op de positieve klem (+) en da de zwarte draad (6) op de negatieve klem (-) met behulp van de bij-

geleverde schroeven, zoals aangeduid. Besmeer de klemmen met siliconevet en let op de correcte positie van de beschermdop van de rode draad (5).

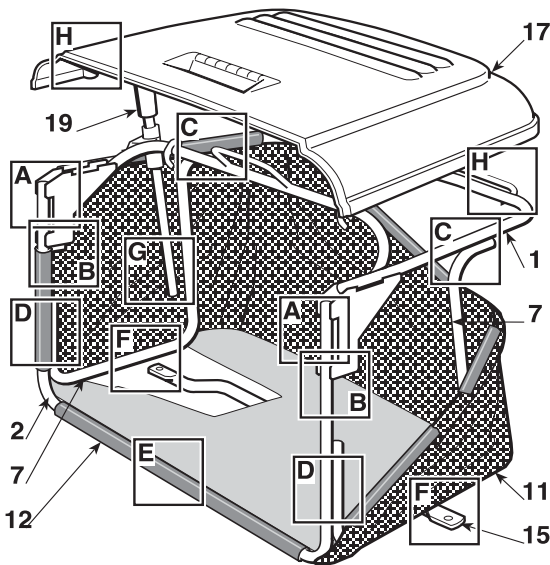
BELANGRIJK Om te voorkomen dat het beveiligingssysteem van de elektronische kaart in werking treedt, dient het starten van de motor absoluut vermeden te worden vóórdat de accu volledig opgeladen is!

LET OP! Het zuur van de accu is corrosief en vervuילend. Gebruik beschermende handschoenen bij het hanteren en gooi ze weg in overeenstemming met de geldende voorschriften.

BELANGRIJK Gebruik ENKEL de specifieke accu mod. CNB 31500-VK1-810-M1.

3.2 MONTAGE VAN DE OPVANGZAK

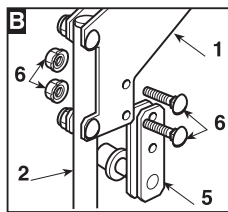
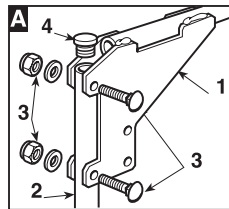
A) Verbind het bovenste deel van het frame (1) met het voorste



element (2) met behulp van de meegeleverde schroeven en moeren (3) zoals aangegeven. Steek de twee rubberen stoppen (4) in de gaten van de buis van het frame vooraan (2).

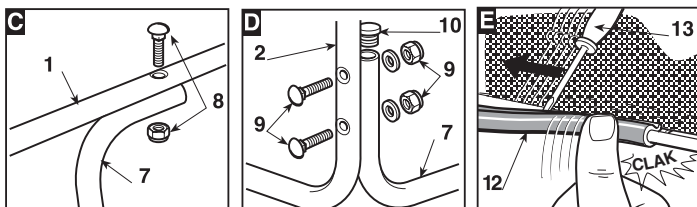
HF2...HT

B) Voordat u de moeren (3) volledig vergrendelt, plaatst u de twee steunen (5) tussen de platen van het bovenste frame (1), met de rollen naar binnen gericht, en bevestigt u ze met de schroeven en moeren (6); vergrendel vervolgens de moeren volledig (3).



C-D) Monteer de twee zijelementen (7) met behulp van de schroeven en moeren (8 en 9) zoals aangegeven. Steek de twee rubberen stoppen (10) in de gaten van de twee zijelementen (7)

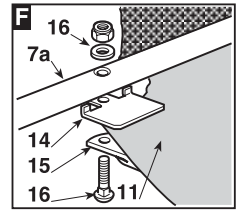
E) Plaats het zo gemonteerde frame in de stoffen behuizing (11) en zorg ervoor dat het correct langs de basisomtrek wordt geplaatst. Haak de profielen in



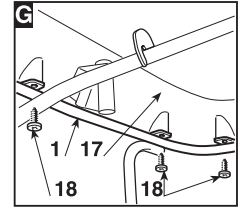
kunststof (12) met behulp van een schroevendraaier (13) aan de buizen van het frame.

HF2...HB **HF2...HM**

F) Plaats de plaat (14) tussen het doek en het onderste deel van het rechter zijelement (7a) van het frame, zodat de gaten samenvallen.



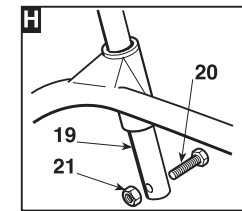
F) Monteer het versterkingskruisstuk (15) onder het frame met behulp van de schroeven en moeren (16), waarbij u het platte gedeelte naar het doek gericht houdt.



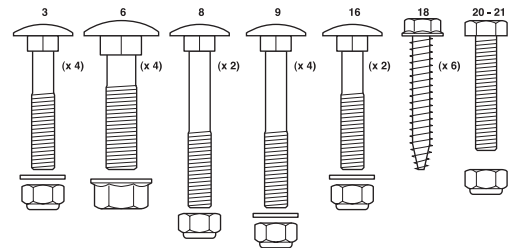
G) Monteer het deksel (17) en bevestig het aan het bovenste deel van het frame (1) met behulp van zes schroeven (18).

HF2...HB **HF2...HM**

H) Plaats de ledigingshendel (19) in zijn zitting en monteer de stopschroef (20) met de bijbehorende moer (21).



3.3 MONTAGE VAN DE STEUNEN VAN DE OPVANGZAK

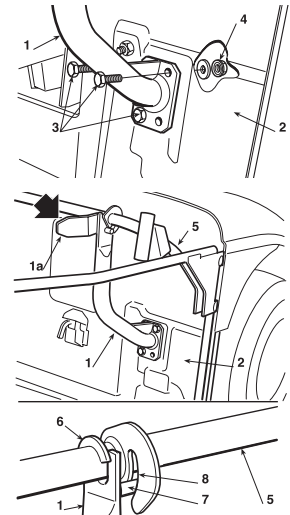


Bevestig, zoals aangegeven, de twee steunen (1) aan de achterplaat (2) door middel van de drie schroeven (3) die voor elke steun zijn bijgeleverd, zonder de bijbehorende moeren (4) te blokkeren.

De steunen (1) moeten zo worden gemonteerd dat de vleugeltjes (1a) naar binnen wijzen.

Haak de opvangzak vast aan de steunen (5) en centreer deze ten opzichte van de achterste plaat (2).

Stel de positie van de twee steunen (1) af ten opzichte van de boord (6), zodat de pin (7), wanneer de opvangzak verdraaid wordt, correct in de zitting (8) komt.

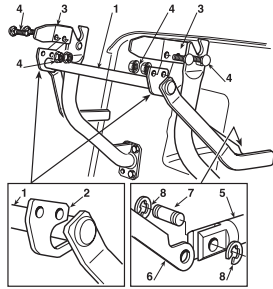


Verzeker u er nogmaals van dat het frame (5) goed gecentreerd is ten opzichte van de achterste plaat (2) en dat de rotatiebeweging correct verloopt, zoals hierboven aangegeven, draai dan de schroeven (3) en de bevestigingsmoeren (4) stevig vast.

3.4 MONTAGE VAN DE KANTELHENDELS VAN DE OPVANGZAK



Plaats de as van de hendels (1) in de holte van de twee plaatjes (2) en bevestig ze aan de binnenkant van de steunen van de opvangzak (3), met de meegeleverde schroeven en moeren (4) in de volgorde die aangegeven is in de afbeelding.

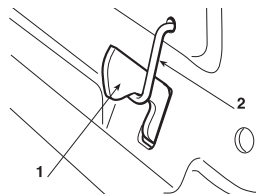


Maak het uiteinde van de stand (5) van de hefzuiger vast aan de hendel (6) met behulp van de pin (7) en monteer beide elastische ringen (8).

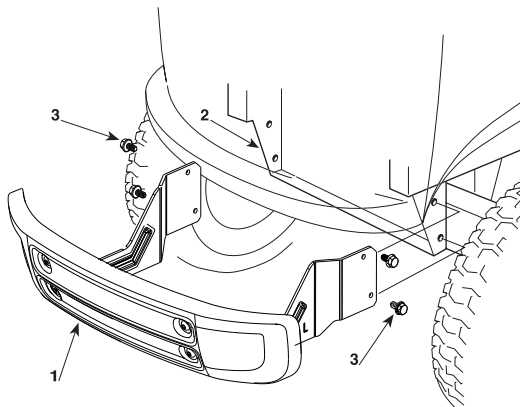
Vooraleer de opvangzak op de steunen te monteren, dient men zich ervan te verzekeren dat de beweging van de hendels voor het kantelen niet verhinderd wordt.

3.5 VERWIJDERING VAN DE BEVESTIGINGSHAAK VAN DE OPVANGZAK

Omwille van het transport, wordt de bevestigingshaak (1) van de opvangzak aan de plaat achteraan geblokkeerd door middel van de veer (2). Deze veer moet verwijderd worden alvorens de steunen van de opvangzak te monteren en mag niet meer gebruikt worden.

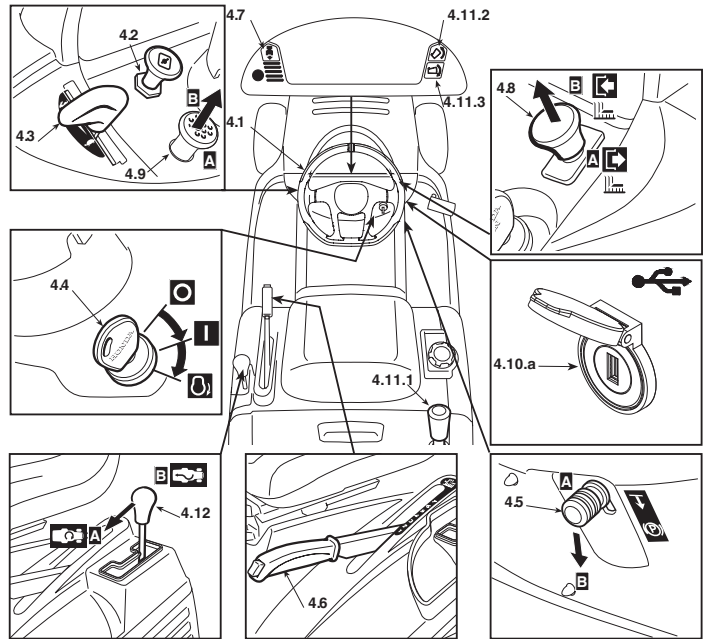


3.6 MONTAGE VAN DE VOORBUMPER



Monteer de voorbumper (1) aan de onderkant van het frame (2) met behulp van de vier schroeven (3).


4. BEDIENINGSELEMENTEN



4.1 STUURWIEL



Hiermee kunnen de voorwielen bestuurd worden.

4.2 BEDIENINGSELEMENT STARTER

 Dit wordt gebruikt om de motor koud op te starten. Dit veroorzaakt een verrijking van het mengsel en mag alleen voor de strikt noodzakelijke tijd worden gebruikt.

4.3 GASHENDEL

Regelt de snelheid van de motor. De diverse standen staan als volgt aangegeven op de sticker:




-  «LANGZAAM» minimaal toerental van de motor
-  «SNEL» maximaal toerental van de motor

– Tijdens het rijden dient er een stand tussen «LANGZAAM» en «SNEL» gekozen te worden.

– Zet de gashendel tijdens het maaien in de «SNEL» stand.

4.4 CONTACTSLOT

Het contactslot heeft drie verschillende standen:

-  «STOP» alles is uitgeschakeld;
-  «DRAAIEN» alle diensten zijn ingeschakeld;
-  «START» Schakelt de startmotor in en de motor start.

Zodra de sleutel vanuit de «START» stand losgelaten wordt, komt deze vanzelf weer in de «DRAAIEN» stand terug.

4.5 HENDEL HANDREM

De handrem voorkomt dat de machine gaat rijden na het parkeren. De hendel heeft twee standen:

⏏ «A» = Rem uitgeschakeld

Ⓟ «B» = Rem ingeschakeld

- Om de handrem in te schakelen dient het pedaal (4.21) volledig te worden ingetrapt en de hendel in stand «B» gezet te worden; als de voet van het pedaal gehaald wordt blijft het in deze lage stand staan.
- De conditie “Rem ingeschakeld” wordt aangegeven voor het branden van het controlelampje (4.13.e).
- Om de handrem weer uit te schakelen dient het pedaal (4.21) weer te worden ingetrapt, waarna de hendel automatisch terug komt in stand «A».

4.6 GRASHOOGTE REGELAAR

Met deze hendel wordt de snijgroep omhoog en omlaag gebracht; hij kan op 7 verschillende maaihoogtes ingesteld worden.

1

7



De zeven posities worden aangegeven van «1» tot «7» op het relatieve plaatje, overeenkomend met hetzelfde aantal maaihoogtes, waarvan de waarden worden aangegeven in de tabel "Technische kenmerken" (☛ Hoofdstuk 10).

- Om van de ene naar de andere stand over te gaan, dient er op de ontgrendelknop aan het einde van de hendel gedrukt te worden.

4.7 TOETS TOELATING SNIJDEN BIJ ACHTERUITVERSNELLING



Houd de toets ingedrukt om achteruit te rijden met de snij-inrichtingen ingeschakeld, zonder dat de motor stopt.

4.8 COMMANDO VOOR INSCHAKELING EN REM VAN DE SNIJ-INRICHTINGEN

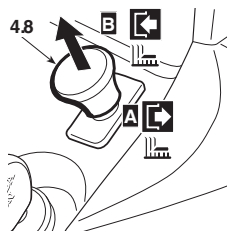
Met dit commando kan de snij-inrichting via een elektromagnetische koppeling worden gekoppeld:



«A» Ingedrukt
= Snij-inrichtingen uitgeschakeld



«B» Uitgetrokken =
Snij-inrichtingen ingeschakeld



- De “Snij-inrichtingen ingeschakeld” stand wordt aangegeven doordat het controlelampje brandt (☛ 4.13.g).
- Het inschakelen van de snij-inrichtingen zonder het in acht nemen van de voorgeschreven veiligheidsmaatregelen veroorzaakt het afslaan van de motor die niet meer kan worden aangezet (☛ 5.2).
- Door de snij-inrichtingen uit te schakelen (Stand «A») wordt er een rem in werking gezet die binnen enkele seconden het draaien van de snij-inrichtingen stopt.
- Het inschakelen van de snij-inrichtingen in achteruitversnelling is enkel mogelijk wanneer de toets 4.7. ingedrukt is.

4.9 INRICHTING VOOR HET BEHOUDEN VAN DE SNELHEID (CRUISE CONTROL)



HF2417HM•

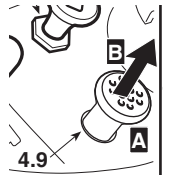
HF2417HT•

HF2625H♦

- Deze inrichting staat toe de gewenste snelheid bij voorwaartse werking aan te houden, zonder dat het nodig is de pedaal ingedrukt te houden (4.22).
- De drukknop heeft twee posities:



1. «A» = Ingedrukt. Inrichting uitgeschakeld (niet actief)
2. «B» = Uitgetrokken. Inrichting ingeschakeld (actief)



- – Door de inrichting aan te schakelen terwijl u vooruit gaat, zal de machine de snelheid behouden die op dat ogenblik bereikt werd, zonder dat het nodig is het pedaal (4.22) ingedrukt te houden.
- – Bij achteruitversnelling kan de inrichting niet aangeschakeld worden.
- – Met de inrichting ingeschakeld, kan het pedaal voor achteruitrijden niet ingeschakeld worden (4.23).
- – Bij stijgende of dalende banen, kan de snelheid veranderen ten opzichte van de snelheid die op vlakke ondergrond ingesteld werd.

- Om de inrichting uit te schakelen en de bediening van de snelheid door middel van het pedaal (4.22) te herstellen, is het voldoende op de pedaal te drukken (4.22);

• of

- op de rempedaal te drukken (4.21).

- In beide gevallen, keert de drukknop automatisch terug naar de positie «Ingedrukt».

4.10 AUX-AANSLUITING VOOR USB-ACCESSOIRES



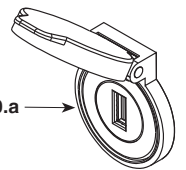
HF2417HM•

HF2417HT•

HF2625H♦

- Deze aansluiting kan USB-apparaten opladen. De functie is alleen voor het opladen.
- De aansluiting heeft geen communicatiefunctie met het aangesloten USB-apparaat.

4.10.a



- Er staat alleen stroom op het contactpunt wanneer de sleutel (4.4) in de stand «DRAAIEN» staat.
- Laad het USB-apparaat op terwijl de motor loopt, anders raakt de accu leeg.
- Laad het USB-accessoire niet op in regenachtige of vochtige omstandigheden. Gebruik onder de bovenstaande voorwaarden maakt de garantie ongeldig en de fabrikant wijst alle verantwoordelijkheid af in geval van problemen.
- Open de dop van de USB-aansluiting niet in regenachtige of stoffige omgevingen.
- Gebruik geen apparatuur tijdens het overbrengen of snijden.
- Voordat u de apparatuur op de extra aansluiting aansluit, moet u ervoor zorgen dat u alle gegevens erop hebt opgeslagen.
- Als gegevens gewist worden tijdens het gebruik van de USB-poort, wijst de fabrikant alle verantwoordelijkheid af.

4.10.1 BIJKOMENDE USB-POORT

▶ **HF2417HM• HF2417HT• HF2625H♦**

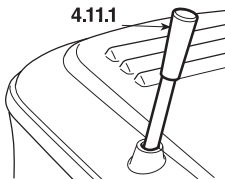
- Ondersteuning om het USB-accessoire te plaatsen.



4.11 BEDIENING OMKANTELING OPVANGZAK

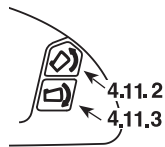
▶ **HF2...HB• HF2...HM•**

- Het omkantelen van de opvangzak om deze te ledigen, gebeurt aan de hand van de hendel (4.11.1), die uit zijn zitting gehaald kan worden.



▶ **HF2...HT•**

- De kanteling van de te legen opvangzak vindt plaats door op de knop (4.11.2) te drukken en deze ingedrukt te houden totdat de zak zijn hoogste positie bereikt (➡ 5.4.6).

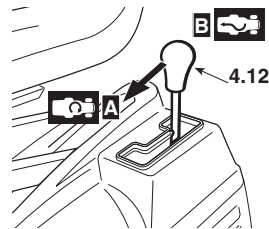


- De opvangzak keert terug naar de werkpositie door de toets (4.11.3) in te drukken en ingedrukt te houden tot de haak weer vastgemaakt is en de bedienmotor stilstaat.

4.12 HENDEL INSCHAKELING "MULCHING"

▶ **HF2417HM• HF2417HT• HF2625H♦**

- Met deze hendel wordt de functie "Mulchen" geactiveerd.

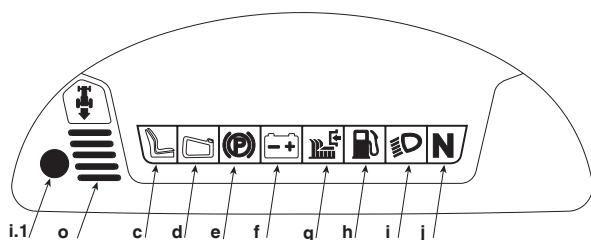


- «A» = functie ingeschakeld
- «B» = functie uitgeschakeld

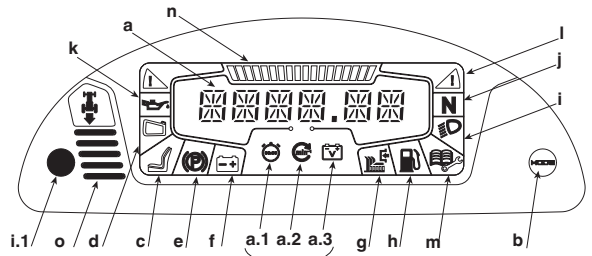
- – Het inschakelen van de hendel moet gebeuren wanneer de snij-inrichtingen uitgeschakeld zijn.
- – Wanneer de functie "mulching" ingeschakeld is, moeten de beschermingen op de uitgang steeds gemonteerd zijn (opvangzak of aflatbeveiliging) (➡ 5.3.5).

4.13 CONTROLELAMPJES EN GELUIDSIGNALLEN OP HET DASHBOARD

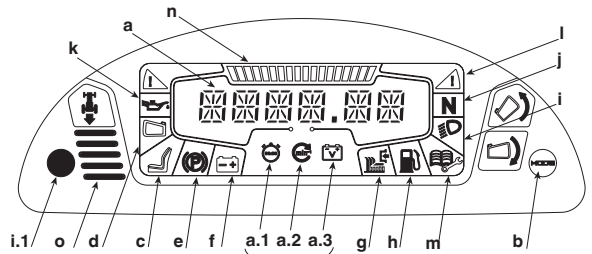
▶ **HF2317...•**



▶ **HF2417HB•/HM• HF2625HM•**



▶ **HF2417HT• HF2625HT•**



Wanneer u de sleutel (4.4) in de "RUN" -positie zet, worden alle waarschuwingslampjes tegelijkertijd gedurende ongeveer een seconde geactiveerd (met een kort akoestisch signaal) om de juiste werking aan te geven.

Het display (a) gaat naar de "informatiemodus" en met behulp van de MODUS-knop (b) kunnen de volgende functies geselecteerd worden:

- a.1) **Urenteller:** De alfanumerieke cijfers tonen de uitgevoerde rijuren, verdeeld in uren en tienden van uren. De maateenheid wordt gevolgd door de letter h;

▶ **HF2625...•**

- a.2) **Toerenteller:** geeft het motortoerental aan door middel van numerieke waarden. Weergegeven waarde:
< 1600 laagste toerental
> 2600 snelheid voor transfers, snelheid voor snijden

- a.3) **Voltmeter:** De alfanumerieke cijfers geven de accuspanning aan.

Druk kort op de MODUS-knop en laat hem los om de pictogrammen a.1, a.2, a.3 achter elkaar in te schakelen. Op de alfanumerieke cijfers van het display worden de gegevens weergegeven die bij het geselecteerde pictogram horen, het laatste cijfer is gereserveerd voor de meeteenheid.

Gebruik de toerentellerwaarde niet om het motortoerental in te stellen.



Vervolgens geeft de verlichting van een controlelampje aan dat:

- c) de bediener niet op de machine zit;
- d) geen opvangzak;
– Als het knippert, betekent dit dat de opvangzak vol is en geleegd moet worden.
- e) handrem ingeschakeld;
- f) onvoldoende lading van de accu: zoek de oorzaken in het hoofdstuk 7 van deze handleiding;
– Als het knippert, betekent dit dat de accu de overspan-

ningsdrempel bereikt; Stop de machine onmiddellijk, ontkoppel de accu en neem contact op met een erkend servicecentrum.

- g)  snij-inrichtingen ingeschakeld;
- h)  brandstof in reserve: geeft aan dat er nog ongeveer 1,5 liter brandstof in de tank achterblijft, wat voldoende is voor ongeveer 30-40 minuten werk op volle capaciteit;
- i)  koplampen aan;
- i.1) De sensor in het dashboard beveelt de automatische inschakeling van de koplampen na een paar seconden duisternis en hun uitschakeling na een paar seconden helderheid. Houd het sensorgebied schoon en plaats geen vodden of voorwerpen op het dashboard om ongewenste ontsteking te voorkomen. Het helderheidsniveau van de koplampen kan enkele seconden worden verlaagd als gevolg van een stroomstoring tijdens het opstarten.

! LET OP! *Kijk niet rechtstreeks in het LED-licht. Het kan de ogen nadelig beïnvloeden.*

- j) **N** transmissie in "vrij".
- k)  afwijkingen in de smering van de motor: de motor moet onmiddellijk worden gestopt, controleer het motoroliepeil (5.3.3) en neem contact op met uw dealer als het probleem zich blijft voordoen.
- l)  De inclinatie van de machine heeft een helling bereikt die niet wordt aanbevolen.

OPMERKING *Dit pictogram dient alleen ter informatie en ondersteunt de gebruiker bij het herkennen van de hellingshoek van de machine. Het waarschuwinglampje kan gaan branden als er plotseling wordt gestart / gestopt of wanneer u plotseling draait. Vermijd dit soort acties.*


OPMERKING *Monteer alle componenten correct volgens de montage-instructies die in de handleiding worden beschreven, anders werkt het controlelampje van de kanteling mogelijk niet correct.*

De verlichtingstijd van het pictogram kan worden beïnvloed door het gewicht van de bestuurder, het gewicht van de opvangzak en de bandenspanning.

Het ontstekingstijdstip van het waarschuwinglampje kan gewijzigd worden wanneer een optioneel accessoire is gemonteerd.

De kalibratie van de sensor die wordt gebruikt voor de functie van het controlelampje moet door uw Dealer uitgevoerd worden zodat deze goed werkt.

OPMERKING *Neem contact op met uw dealer als de lichten vaak aangaan in verkeerde situaties (het pictogram gaat bijvoorbeeld branden met de machine op een vlakke ondergrond of met een lage helling, enz.).*

- m)  Vereist onderhoud.
Op hetzelfde moment dat het waarschuwinglampje gaat branden, verschijnt de uurdrempel voor interventie op het display in de vorm van een code:
M20 = Onderhoudsinterval van 20 uur
M50 = Onderhoudsinterval van 50 uur
M100 = Onderhoudsinterval van 100 uur
M300 = Onderhoudsinterval van 300 uur

De onderhoudswerkzaamheden die voor elke uurdrempel moeten worden uitgevoerd, worden beschreven in (6.2). De onderhoudscode blijft op het display staan totdat de

motor gestart wordt of totdat de displayfuncties gewijzigd worden. Het onderhoudslampje blijft daarentegen branden, ongeacht de status van de motor of de displayfuncties.

Als gelijktijdig meer dan één tijdsdrempel bereikt wordt, verschijnen de desbetreffende onderhoudscodes om de 2 seconden in oplopende volgorde op het display.

Herstel de werking aan het einde van elk onderhoud, anders blijven zowel de interventiecode als het pictogram op het display staan en kan het onderhoudsinterval niet correct worden geteld.

Om het bedrijf te herstellen:

- Houd de toets "MODUS" (4.13.b) gedurende meer dan 10 seconden ingedrukt, met de sleutel in de stand «DRAAIEN» en de motor uitgeschakeld.


De onderhoudscode en het pictogram worden weer op het display weergegeven wanneer de volgende uurdrempel voor interventie bereikt is.

Als de onderhoudsindicaties hersteld worden voordat de uurdrempel voor interventie bereikt wordt, wordt de onderhoudstijd weergegeven bij het eerste nuttige interval. Herstel in dit geval het bedrijf opnieuw als al eerder onderhoud werd uitgevoerd.

HF2417...

- Als de onderhoudsindicaties niet onmiddellijk kunnen worden hersteld nadat de motor is gestopt, wacht dan totdat de accuspanning onder de 12.7V zakt. Probeer vervolgens de onderhoudscode na te gaan.

HF2625...

- n)  Grafische indicator toerental motor: de in de grafische schaal weergegeven inkepingen nemen toe naarmate het motortoerental toeneemt. De grafische indicator en de numerieke waarde op het display (a.2) veranderen tegelijkertijd.

o) Het akoestisch signaal is:

- **continu** geeft de tussenkomst aan van de bescherming van de elektronische kaart; draai de sleutel van pos. «STOP» naar de positie «DRAAIEN».
- **intermitterend** signalering zak vol.

4.21 REMPEDAAL

Dit pedaal stelt de rem van de achterwielen in werking.

4.22 VOORUITVERSHELLINGSPEDAAL

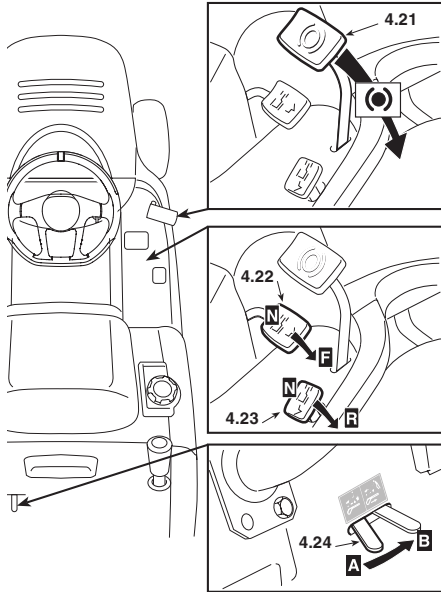
Dit pedaal wordt gebruikt om de aandrijving naar de achterwielen in de voorwaartse versnelling te brengen en de snelheid van de machine aan te passen.

- Door de druk op het pedaal te verhogen, neemt de snelheid van de machine geleidelijk toe.
- Als het pedaal wordt losgelaten komt het automatisch weer in de vrije stand «N» terug.
- De "Vrije" stand «N» wordt aangegeven doordat het controlelampje brandt (4.13.j).

4.23 ACHTERUITVERSNELLINGSPEDAAL

Met dit pedaal wordt de achteruitversnelling van de wielen ingeschakeld en regelt u de snelheid van de machine.

- Door de druk op het pedaal te verhogen, neemt de snelheid van de machine geleidelijk toe.
- Als het pedaal wordt losgelaten komt het automatisch weer in de vrije stand «N» terug.
- De “Vrije” stand «N» wordt aangegeven doordat het controlelampje brandt (4.13.j).



LET OP! De achteruitversnelling dient enkel ingeschakeld te worden als de machine stilstaat.

OPMERKING Als een van de aandrijfpedalen bediend wordt met de parkeerrem (4.5) ingeschakeld, stopt de motor.

4.24 ONTGRENDELING VAN DE HYDROSTATISCHE AANDRIJVING

Deze hendel heeft twee standen die op de desbetreffende sticker staan aangegeven:

- «A» = Aandrijving ingeschakeld: voor alle gebruikscondities, tijdens het rijden en het maaien;
- «B» = Aandrijving ontgrendeld: vermindert aanzienlijk de kracht die nodig is om de machine, met de motor uitgeschakeld, met de hand te verplaatsen.

5. GEBRUIKSVOORSCHRIFTEN

5.1 VEILIGHEIDSADVIEZEN

GEVAAR! Gebruik de machine alléén voor het doel waarvoor zij gemaakt is (het maaien en opvangen van gras). Eender welk ander gebruik wordt als “oneigenlijk gebruik” beschouwd en brengt verval van, zowel de garantie, als de aansprakelijkheid van de fabrikant teweeg waardoor de gebruiker zelf verantwoordelijk is voor schade of letsel die hijzelf of anderen oplopen.

De volgende situaties behoren tot het onjuist gebruik (bijvoorbeeld, maar niet uitsluitend):

- andere personen, kinderen of dieren op de machine of op een oplegger vervoeren;
- ladingen trekken of duwen zonder het gebruik van het daarvoor bestemde toebehoren voor het slepen;
- gebruik van de machine op onstabiele, gladde, bevroren, stenige of oneffen terreinen, in geval van plassen of moerassen die niet toestaan de consistentie van het terrein in te schatten;
- gebruik van de machine voor het verzamelen van bladeren of afval;
- de snij-inrichtingen aanschakelen op zones zonder gras.

GEVAAR! Kom niet aan de veiligheidsmechanismen en verwijder deze nooit. DENK ERAAN DAT DE GEBRUIKER ALTIJD AANSPRAKELIJK IS VOOR SCHADE DIE AAN ANDE-

REN BEROKKEND WORDT.

Alvorens de machine te gebruiken:

- lees de algemene veiligheidsvoorschriften (1.1), en besteed speciale aandacht aan het rijden en het maaien op hellende terreinen;
- lees de gebruiksaanwijzingen aandachtig door, raak vertrouwd met de bediening en leer hoe de snij-inrichtingen en de motor snel tot stilstand gebracht kunnen worden.
- breng handen en voeten niet in de nabijheid van, of onder ronddraaiende delen en blijf altijd uit de buurt van de uitwerping.

Gebruik de machine niet met een slechte lichamelijke conditie, of onder invloed van medicijnen of middelen die de reflexen en de aandacht kunnen verminderen.

Het valt onder de verantwoordelijkheid van de gebruiker om de risico's, die het terrein waar hij op moet werken met zich mee kan brengen, te beoordelen en om alle nodige voorzorgsmaatregelen te treffen met het oog op zijn eigen veiligheid en dat van anderen, met name op hellingen, hobbelige, gladde of instabiele terreinen.

De machine niet in hoog gras laten staan met een draaiende motor, teneinde geen risico op brand te veroorzaken.

LET OP! Deze machine mag niet gebruikt worden op hellingen met een hellingspercentage van meer dan 10° (17%) (5.5).

BELANGRIJK Alle verwijzingen met betrekking tot de bedieningsposities worden weergegeven in hoofdstuk 4.

5.2 FUNCTIES VAN DE VEILIGHEIDSMEECHANISMEN

De veiligheidsmechanismen hebben twee functies:

- ze voorkomen de start van de motor als de veiligheidsmaatregelen niet in acht zijn genomen;
- ze stoppen de motor als er ook maar een enkel veiligheidsconditie wegvalt.

Om de motor te starten, is het in ieder geval nodig dat:

- de koppeling in de “vrije” stand staat;
- de snij-inrichtingen uitgeschakeld zijn;
- de bediener op de machine zit.

De motor stopt automatisch als:

- de bediener de stoel verlaat;
- de opvangzak wordt opgetild of de aflaatbeveiliging wordt verwijderd terwijl de snij-inrichtingen ingeschakeld zijn;
- men de achteruitversnelling inschakelt met de snij-inrichtingen ingeschakeld. Deze mogelijkheid kan uitgeschakeld worden door de toets 4.7 ingedrukt te houden.
- de voorwaartse versnelling wordt ingeschakeld met de parkeerrem ingeschakeld.

De volgende tabel toont enkele operationele situaties, met de oorzaken voor de interventie gemarkeerd.

OPERATOR	OPVANGZAK	SNIJ-INRICHTING	KOPPELING	REMMEN	MOTOR
A) PANEEL INGESC HakELD (Sleutel in positie «DRAAIEN»)					
Zit op stoel	JA	Uitgeschakeld	«N»	Uitgeschakeld	Stilstaand
Zit op stoel	NEEN	Uitgeschakeld	«N»	Uitgeschakeld	Stilstaand
B) STARTEN (Sleutel in de «START» stand)					
Zit op stoel	–/–	Uitgeschakeld	F/LR	Uitgeschakeld	Slaat NIET aan
Zit op stoel	–/–	Ingeschakeld	«N»	Uitgeschakeld	Slaat NIET aan
Afwezig	–/–	Uitgeschakeld	«N»	Uitgeschakeld	Slaat NIET aan
C) TIJDENS DE WERKING (Sleutel in positie «DRAAIEN»)					
Zit op stoel	JA	Uitgeschakeld	F/LR	Uitgeschakeld	Stopt
Afwezig	JA	Uitgeschakeld	«N»	Uitgeschakeld	Stopt
D) TIJDENS HET MAAIEN (Sleutel in de «DRAAIEN» stand)					
Zit op stoel	NEEN	Ingeschakeld	–/–	Uitgeschakeld	Stopt
Zit op stoel	JA	Ingeschakeld	B	Uitgeschakeld	Stopt*
Afwezig	JA	Uitgeschakeld	«N»	Uitgeschakeld	Stopt
Afwezig	JA	Ingeschakeld	–/–	Uitgeschakeld	Stopt

* Deze mogelijkheid kan uitgeschakeld worden door de toets 4.7 ingedrukt te houden

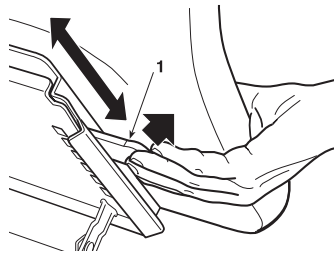
5.3 UIT TE VOEREN WERKZAAMHEDEN VOOR DE INGE- BRUIKNAME

Alvorens te beginnen met werken dienen er enkele controles en handelingen uitgevoerd te worden om er zeker van te zijn dat het werk op de meest nuttige en veilige manier zal verlopen.

5.3.1 De stoel afstellen

De stoel schuift voor- en achteruit en is verstelbaar in zes verschillende standen.

De regeling gebeurt door de handgreep (1) naar boven te brengen en de stoel te laten schuiven tot in de gewenste stand.



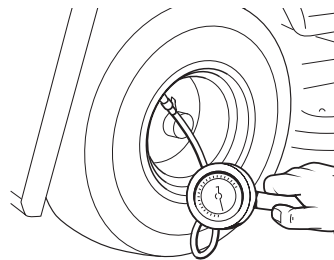
5.3.2 Bandenspanning

Schroef de beschermkopjes los en sluit de kleppen aan op een persluchttoevoer voorzien van een drukmeter.

Een juiste bandenspanning is noodzakelijk om de snijgroep geheel evenredig boven het grasoppervlak te krijgen, zodat u een mooi maaibeeld krijgt.

De bandenspanning moet als volgt zijn:

VOORAAN	1.5 bar (13 x 5.00-6)
	1.0 bar (15 x 6.00-6)
ACHTERAAN	1.2 bar



5.3.3 Olie en benzine bijvullen

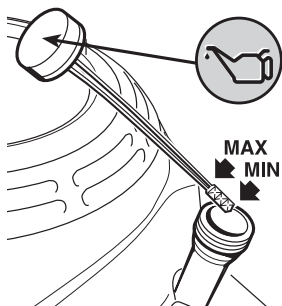
BELANGRIJK Gebruik SAE 10W30 olie en loodvrije (groene) benzine Euro 95.

BELANGRIJK Als de motor met onvoldoende olie wordt gebruikt, kan deze zeer ernstig beschadigd worden. Het gebruik van niet-detergente olie of olie voor tweetaktmotoren kan de levensduur van de motor verkorten.

Verwijder de dop met de peilstok op een vlakke ondergrond en bij stilstaande motor. Breng hem helemaal in zonder hem vast te schroeven en verwijder hem dan om het oliepeil te controleren. Als het niveau dichtbij of onder de ondergrens (MIN) van de peilstok is, vul dan bij met aanbevolen olie totdat deze de bovengrens (MAX) bereikt. Schroef de dop met de peilstok weer vast.

Vul brandstof bij met behulp van een trechter.

Vul de tank niet volledig; het maximale niveau wordt aangegeven op de hals van de tank.



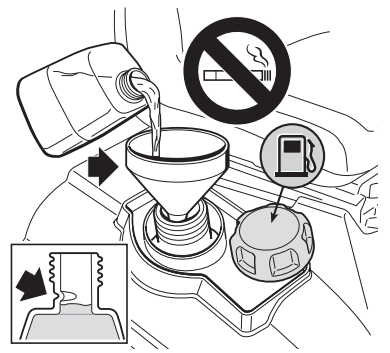
De inhoud van de tank is aangegeven in hoofdstuk 10.

BELANGRIJK De schade aan de toevoerinstallatie of problemen in verband met de performances van de motor die voortkomen uit veronachtzaming bij het opbergen, zijn niet gedekt door de garantie.

OPMERKING Als er benzine op de carrosserie is gemorst, moet u onmiddellijk alle sporen afkuisen.

GEVAAR! Het bijvullen dient altijd te gebeuren met de

motor uit. Doe dit in de open lucht of in een goed geventileerde ruimte. Denk er altijd aan dat benzinedampen brandbaar zijn! **GEEN OPEN VUUR IN DE BUURT VAN DE TANK BRENGEN OM DE INHOUD TE CONTROLEREN EN NIET ROKEN TIJDENS HET BIJVULLEN.**



• Alcoholhoudende benzine

BELANGRIJK Als u benzine met alcohol gebruikt, zorg er dan voor dat het octaangetal ten minste gelijk of hoger is dan de index die wordt aanbevolen door Honda (octaangetal 86). Er zijn twee soorten mengsels benzine/alcohol: de ene bevat ethanol en de andere bevat methanol.

Vereiste specificaties van de brandstof om de prestaties van het emissiecontrolesysteem te handhaven: brandstof E10 vermeld in de EU-wetgeving.

Gebruik nooit mengsels benzine/alcohol die meer dan 10% ethanol bevatten. Gebruik geen benzine met een methanolgehalte (methylalcohol of houtalcohol) hoger dan 5% en zonder oplosmiddelen of methanolcorrosie-inhibitoren.

BELANGRIJK

- Schade aan het brandstoftoevoersysteem of problemen met de motorprestaties als gevolg van het gebruik van benzine met een alcoholgehalte dat hoger is dan het aanbevolen niveau, vallen niet onder de garantie.
 - Controleer voordat u bij een weinig bekend benzinstation tankt, of de benzine alcohol bevat en, in voorkomend geval, welk type alcohol wordt gebruikt en in welk percentage.
- Als tijdens het gebruik van een bepaalde benzine ongewenste bedrijfssymptomen worden waargenomen, ga dan terug naar een benzine waarvan het alcoholgehalte zeker lager is dan de aanbevolen hoeveelheid alcohol.

5.3.4 Controle van het remsysteem

Zorg ervoor dat het remvermogen van de machine aangepast is aan de gebruiksvoorwaarden, en vat het werk niet aan als u twijfels hebt omtrent de doeltreffendheid van de rem. In geval van nood, stel de rem af (6.3.4) en als er twijfel blijft bestaan over de efficiëntie, moet u uw dealer raadplegen.

5.3.5 Montage van de aflaatbeveiligingen (opvangzak of af- laatbeveiliging)

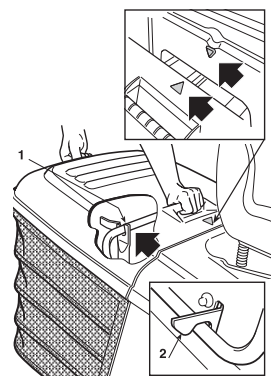
LET OP! Gebruik de machine nooit zonder deze beveiligingen!

HF2•••HT•

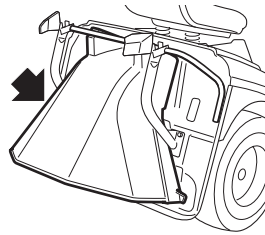
- De beschermingen moeten worden gemonteerd met de kantelhendels omlaag.

Bevestig de opvangzak, door de bovenste buis van het frame in de openingen van de twee steunen (1) te steken.

Om de opvangzak perfect te centreren, dient men de twee symbolen op de opvangzak en op de achterste plaat uit te lijnen



Zorg dat de onderste pijp van de opvangzakmondigheid zich vast haakt aan de daarvoor bestemde veerhaak (2). Indien het vasthaken moeilijk verloopt, of indien de opvangzak te los vastgemaakt is, dient men de veer af te stellen (☛ 6.3.6).



Indien men wenst te werken zonder de opvangzak, is er, op aanvraag, een kit aflatbeveiliging (☛ 8.2) leverbaar die, zoals aangegeven in de bijbehorende instructies, op de achterplaat bevestigd dient te worden.

5.3.6 Controle van de veiligheid en de doeltreffendheid van de machine

1. Controleer of de beveiligingen werken zoals aangegeven (☛ 5.2).
2. Controleer of de rem correct werkt.
3. Begin niet te maaien indien de snij-inrichtingen trillen of men twijfels heeft omtrent de scherpe staat van de snij-inrichtingen; denk er altijd aan dat:
 - Een botte snij-inrichting rukt het gras uit een veroorzaakt de vergeling van het gazon.
 - Een snij-inrichting die niet goed vastzit gaat op abnormale wijze trillen en is een potentiële gevarenbron.

LET OP! *Gebruik de machine niet indien men niet zeker is van de doeltreffendheid en veiligheid en contacteer de Verkoper voor de nodige controles of reparaties.*

5.4 GEBRUIK VAN DE MACHINE

5.4.1 Het starten

GEVAAR! *De machine dient altijd in de open lucht of in een goed geventileerde ruimte gestart te worden! DENK ER ALTIJD AAN DAT UITLAATGASSEN GIFTIG ZIJN!*

Alvorens de motor te starten

- zet de koppeling in de vrije stand («N»)(☛ 4.22);
- schakel door de snij-inrichtingen uit(☛ 4.8);
- schakel de handrem in als u zich op een hellend terrein bevindt;
- activeer bij koud starten de choke (☛ 4.2);
- als de motor reeds warmgedraaid is, is het voldoende de hendel tussen «LANGZAAM» en «SNEL» te zetten;
- steek de sleutel in het contactslot en draai deze in de «DRAAIEN» stand om het elektrische circuit in werking te stellen, draai de sleutel daarna in de «START» stand om de motor te starten;
- laat de sleutel los zodra de motor gestart is.

Als de motor eenmaal draait breng de gashendel terug in de «LANGZAAM» stand.

BELANGRIJK *Het commando choke moet worden uitgeschakeld zodra de motor regelmatig draait; het gebruik ervan als de motor heet is, kan de bougie vervuilen en ervoor zorgen dat de motor onregelmatig loopt.*

OPMERKING *Als er moeilijkheden zijn bij het starten, blijf dan niet te lang aanhouden om de accu niet uit te putten en de motor niet te verzuipen. Draai de sleutel weer in de «STOP» stand, wacht enkele seconden en probeer opnieuw te starten. Indien het probleem voortduurt, raadpleeg dan hoofdstuk «8» van deze handleiding en de handleiding van de motor.*

BELANGRIJK *Denk er altijd aan dat de beveiligingssystemen het starten van de motor beletten wanneer de veiligheidsvoorschriften niet in acht worden genomen (☛ 5.2). Nadat in de bovenstaande gevallen het belet tot starten is hersteld, dient de sleutel in de «STOP» stand gedraaid te worden voordat de motor opnieuw gestart*

kan worden.

5.4.2 Vooruit rijden en verplaatsingen

LET OP! *De machine is niet goedgekeurd om op de openbare weg te rijden. Ze mag (volgens het Wegverkeers-regelement) uitsluitend gebruikt worden op privé-terrein dat voor verkeer gesloten is.*

Tijdens het vervoer:

- de snij-inrichtingen uitschakelen;
- de snijgroep in de hoogste stand (stand «7») zetten;

Zet de gashendel in een tussenpositie tussen «LANGZAAM» en «SNEL».

Schakel de handrem uit en laat het rempedaal opkomen (☛ 4.21). Trap het tractiepedaal naar voren (☛ 4.22) en bereik de gewenste snelheid door de druk op het pedaal zelf aan te passen en op de juiste manier op het gaspedaal te handelen.

LET OP! *Het inschakelen van de aandrijving moet plaatsvinden op de reeds beschreven manier (☛ 4.22) om te voorkomen dat een te abrupte inschakeling het voertuig laat steigeren en de controle verliest, vooral op hellingen.*

5.4.3 Remmen

Neem eerst snelheid af door het aantal omwentelingen van de motor te verminderen en trap daarna op het rempedaal (☛ 4.21) om nog meer snelheid af te nemen totdat de machine stilstaat.

OPMERKING *Een gevoelige vertraging van de machine wordt al bereikt door het pedaal voor voorwaartse of achterwaartse aandrijving los te laten.*

5.4.4 Achteruit rijden

Het inschakelen van de achteruitversnelling DIENT altijd bij stilstand te gebeuren.

Stop de machine en schakel de achteruitversnelling in door op het koppelingspedaal in de richting «R» te duwen (☛ 4.23).

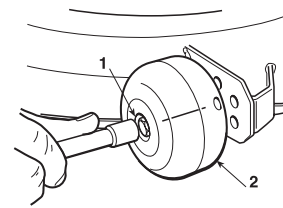
5.4.5 Het gras maaien

Wanneer het gazon dat gemaaid moet worden bereikt is, moet men zich ervan verzekeren dat de opvangzak of de aflatbeveiliging correct gemonteerd zijn.

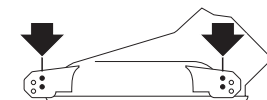
HF24 **HF26**

De functie van de anti-scalp wieljes is steeds een ruimte te behouden tussen het terrein en de rand van de snijgroep, om te vermijden dat deze het gazon kan beschadigen in geval van onregelmatigheid van het terrein.

Ieder anti-scalp wielje van de snijgroep kan op twee verschillende hoogtes gemonteerd worden: op de laagste positie vervult het de functie van het behouden van de afstand; op de hoogste positie, wordt deze functie uitgesloten.



Om de positie te veranderen, schroeft u de pen (1) los en plaatst u het wiel (2) in het bovenste of onderste gat van de rij die in de afbeelding wordt getoond.



LET OP! *Deze werkzaam-*

heid moet steeds op de vier wieltjes uitgevoerd worden, MET DE MOTOR EN DE SNIJ-INRICHTINGEN UITGESCHAKELD.

Beginnen met maaien:

- zet de gashendel in de «SNEL» stand;
- zet de snijgroep in de hoogste stand;
- schakel de snij-apparaten in (☛ 4.8);
- begin heel langzaam en voorzichtig te rijden op de grasgrond, zoals reeds eerder beschreven is
- stel de voorwaartse snelheid en de maaihoogte af (☛ 4.6) volgens de condities van het gazon (hoogte, dichtheid en vochtigheid van het gras); op vlak terrein kunt u deze algemene aanwijzingen volgen:

Hoog, dicht en nat gras	2,5 km/h
Normaal onderhouden gazon	4 ... 6 km/h
Laag gras - droog gazon	meer dan 6 km/h

De snelheid kan trapsgewijs aangepast worden door de druk die op het koppelingspedaal wordt uitgevoerd.

⚠ LET OP! Bij het maaien van hellingen dient de rijsnelheid verminderd te worden om de veiligheidscondities te garanderen (☛ 1.2 - 5.5).

Het is in ieder geval verstandig om, elke keer als er een afname in het aantal toeren van de motor wordt waargenomen, de snelheid te vertragen; denk eraan dat er nooit een mooi maaibeeld verkregen kan worden als de rijsnelheid te hoog is ten opzichte van de hoeveelheid gras.

Ontkoppel de snij-inrichtingen en zet de snijgroep in de hoogste stand als er over een obstakel heen moet worden gereden.

5.4.6 De opvangzak ledigen

Zorg dat de opvangzak niet te vol raakt om verstopping van het uitwerpband te voorkomen.

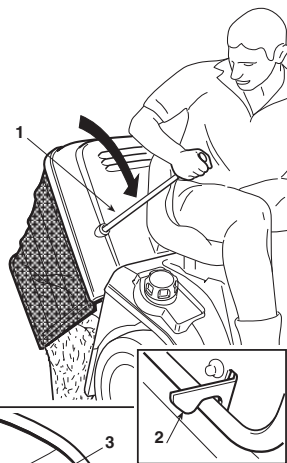
Een intermitterend akoestisch signaal en het knipperen van het waarschuwingslicht (4.13.d) geven aan dat de opvangzak vol is; doe dan als volgt:

- neem snelheid af;
- zet de koppeling in de vrije stand (N) (☛ 4.22 ofwel 4.23) en stop met rijden;
- schakel de handrem in op hellingen;
- schakel de snij-inrichtingen uit (☛ 4.8): het signaal zal onderbroken worden.

▶ **HF2...HB** **HF2...HM**

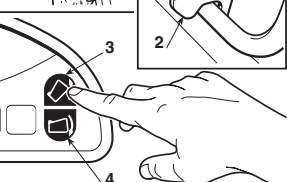
OPMERKING Het legen van de opvangzak kan alléén worden uitgevoerd als de snij-inrichtingen uitgeschakeld zijn; is dit niet het geval dan slaat de motor af.

- Trek de hendel uit (1) (☛ 4.11.1) en kantel de opvangzak om om hem te ledigen;
- sluit de opvangzak weer op zo'n manier zodat deze zich vastkoppelt aan de veerhaak (2) en plaats de hendel (1) weer terug.



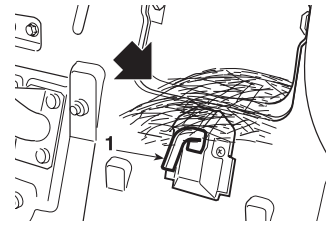
▶ **HF2...HT**

OPMERKING De bediening voor het omkantelen van de opvangzak werkt enkel wanneer de snij-inrichtingen uitgeschakeld zijn



- terwijl de bediener zit, houdt men de toets (3) (☛ 4.11.2) ingedrukt tot de opvangzak volledig omgekanteld is;
- wanneer de opvangzak volledig leeg is, houdt men de toets (4) (☛ 4.11.3) ingedrukt tot de opvangzak helemaal omlaag gekomen is, en controleert men of hij aan de bevestigingshaak (2) bevestigd blijft.

OPMERKING Het kan gebeuren dat, na het legen van de opvangzak, het geluidssignaal weer afgaat op het moment dat de snijgroepen worden ingeschakeld doordat er nog grasresten (1) op de signaalmicro zijn achtergebleven; in dit geval is het voldoende om de snijgroepen uit te schakelen en ze meteen weer in te schakelen om dit te stoppen. Indien het geluidssignaal aanhoudt, moet men de motor stopzetten, de opvangzak verwijderen en eventuele grasresten van de signaalmicro (1) halen.



5.4.7 Het legen van het uitwerpkanaal

In geval van hoog en nat gras gecombineerd met een te hoge snelheid kan er zich een verstopping van het uitwerpkanaal voordoen. Ga dan als volgt te werk:

- stop de machine, schakel de snij-inrichtingen uit en zet de motor af;
- verwijder de opvangzak of de aflaatbeveiliging;
- verwijder het opgehoopte gras bij de uitmonding van het uitwerpkanaal.

⚠ LET OP! Deze handeling dient altijd te worden uitgevoerd met een uitgeschakelde motor.

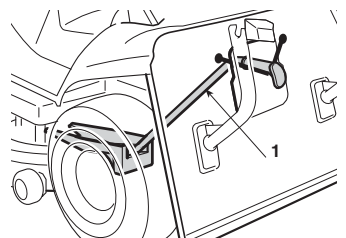
5.4.8 Functie "Mulching"

De functie "Mulching" bestaat erin het gras binnenin de snijgroep te recyclen en tegelijkertijd in fijn gehakselde draadjes te snijden, en deze gelijkmatig over het gazon te verspreiden.

Indien het gemaaide gras rond de snijgroep afgeladen wordt of in hoopjes verspreid wordt tijdens de mulching, is het gras mogelijk te lang of is de maaimaat te groot. De maaimaat voor de mulching moet ingesteld worden op ongeveer 1/3 van de hoogte van het gras (maximaal 10-13 cm voor de mulching).

▶ **HF2317...** **HF2417HB**

- Dit accessoire (op aanvraag verkrijgbaar) moet worden gemonteerd zoals aangegeven in de betreffende instructies.



▶ **HF2417HM** **HF2417HT** **HF2625H**

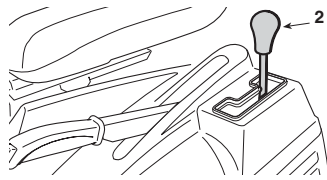
- De machine is uitgerust met een mechanisme waarmee u van de grasopvangfunctie naar de mulchfunctie kunt omschakelen. Bereid de gebruiksvoorwaarden van de twee functies goed alvorens ze te gebruiken.

- De functie "Mulchen" wordt in- of uitgeschakeld via een speciale hendel (2) (☛ 4.12).

- Bedien de mulchfunctiehendel terwijl de opvangzak uit de machine verwijderd is, om ervoor te zorgen dat deze vrij werkt en niet wordt belemmerd door het gras dat de werking ervan zou

beheren.

Indien er gras voor het luikje opgehoopt is, moet dit met een stok of een dergelijk werktuig verwijderd worden.



BELANGRIJK

Indien men een overdreven kracht uitoefent op de hendel wanneer de kabel niet correct is afgesteld of wanneer er gras opgehoopt is, kan dit leiden tot breuk van de kabel of vervorming van de steun omwille van de te hoge belasting. Indien men merkt dat de hendel een te hoge kracht uitoefent, mag men de hendel niet forceren, maar moet men de Dealer contacteren.

Na het maaien

Na de volledige dagelijkse maaisessie, raadt men aan de snijgroep, de aflatband en de opvangzak van het gras te reinigen om defecten te voorkomen en een foutloze werking te verzekeren bij het volgend gebruik van de machine.

Zet de motor stil, haal de sleutel weg, schakel de handrem aan en verwijder de opvangzak van het gras.

Controleer via de aflatopening of de aflatband niet verstopt is door gras (verwijder het gras, indien deze verstopt is).

5.4.9 Na het maaien

Ontkoppel de snij-inrichtingen na het maaien en laat de motor in toeren afnemen. Op de terugweg dient de snijgroep in de hoogste stand te staan.

5.4.10 Na het werk

Breng de machine tot stilstand, zet de gashendel in de «LANGZAAM» stand en schakel de motor uit door de sleutel in de «STOP» stand te draaien.

Door deze handeling wordt de brandstofklep automatisch gesloten.

LET OP! *Haal altijd de sleutel uit het contact alvorens de machine onbeheerd achter te laten!*

5.4.11 Schoonmaken en stallen

Berg de machine op in een droge ruimte, beschut tegen alle weersomstandigheden en dek ze, indien mogelijk, toe met een zeil. Maak, na elk gebruik, de buitenkant van de machine schoon, leeg de opvangzak en klop deze goed uit om alle gras- en aarderesten te verwijderen.

Kijk of er grasresten in de motorruimte en op de snijgroep aanwezig zijn en verwijder ze om de doeltreffendheid van de machine op een optimaal niveau te houden.

LET OP! *Leeg de opvangzak en laat geen containers met gemaaid gras in gesloten ruimtes achter.*

Reinig de delen in kunststof van de machine met een vochtige spons en een schoonmaakmiddel. Let er op dat de motor, de elektrische onderdelen en de elektronische kaart onder het dashboard niet nat worden.

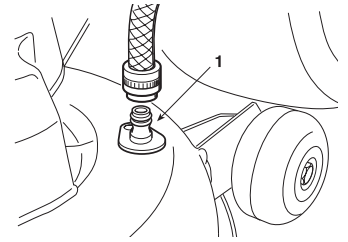
BELANGRIJK *Gebruik in geen geval hogedrukreinigers of bijtende middelen voor het reinigen van de carrosserie en de motor!*

Het reinigen van de binnenkant van de snijgroep en het uitwerpkanal dient, onder de volgende condities, op een harde ondergrond te gebeuren:

- de gemonteerde opvangzak of aflatbeveiliging is aanwezig;
- de gebruiker zit op de machine;
- de motor draait;
- de koppeling staat in de vrije stand;

- de handrem is ingeschakeld;
- de snij-inrichtingen zijn ingeschakeld.

Sluit een waterslang eerst op de ene speciale fitting (1) aan en daarna op de andere en laat voor enkele minuten in elke fitting water lopen terwijl de snij-inrichtingen draaien.



Het is beter om de snijgroep, voor het schoonmaken, in de laagste stand te zetten. Verwijder daarna de opvangzak, ledig en spoel deze uit en leg hem op een plaats waar hij snel op kan drogen.

BELANGRIJK *Om de goede werking van de elektromagnetische koppeling niet te compromitteren, dient men:*

- te vermijden dat de koppeling in aanraking komt met olie;
- geen hogedruk-waterstralen direct op de groep van de koppeling te richten;
- de koppeling nooit met benzine reinigen.

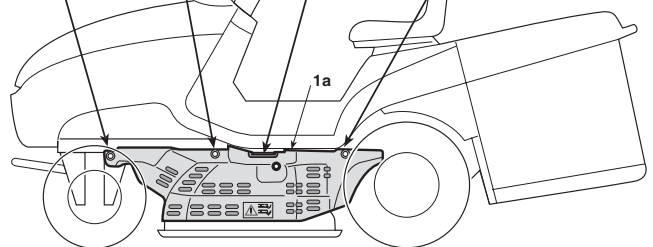
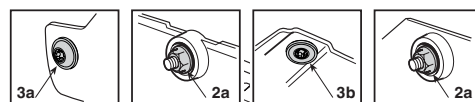
5.4.12 Verwijdering van de bescherming van de riem en reiniging van de snijgroep

LET OP! *Op de bovenkant van de snijgroep mogen zich geen afval en droge grasresten ophopen om de doeltreffendheid en de veiligheid van de machine op maximaal niveau te houden. Deze handeling moet 2-3 maal per jaar uitgevoerd worden en alvorens de machine lange tijd ongebruikt te laten (bijvoorbeeld, maar niet uitsluitend) aan het einde van het seizoen.*

LET OP! *Er zijn twee beschermingen van de overbrengingsriemen voorzien op uw machine (een rechts en een links), om ongewilde aanrakingen tijdens het gebruik te verhinderen.*

HF2317

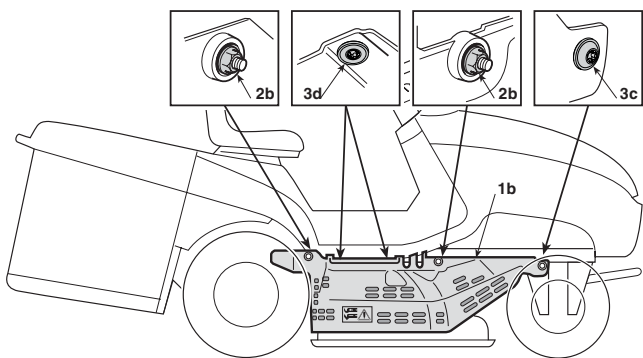
- De linkse bescherming (1a) is bevestigd door:
 - - twee moeren (2a), die losgedraaid kunnen worden met een sleutel van 10 mm.;
 - - een voorste schroef (3a) en een centrale schroef (3b), die losgedraaid kunnen worden met een sleutel Torx T30;



- De rechtse bescherming (1b) is bevestigd door:
 - - twee moeren (2b), die losgedraaid kunnen worden met een sleutel van 10mm.;
 - - een voorste schroef (3c) en twee centrale schroeven (3d), die losgedraaid kunnen worden met een sleutel Torx T30.

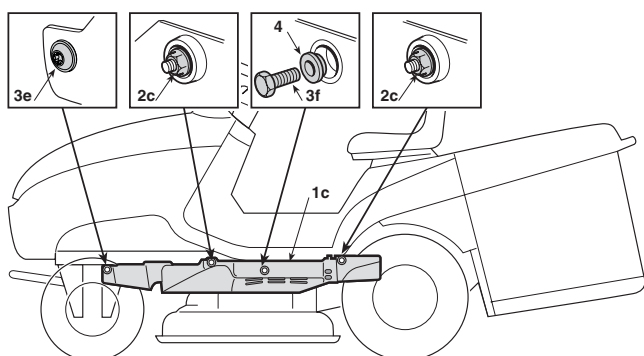
OPMERKING *Wanneer de linkse bescherming (1a) verwijderd wordt, moet men erop letten de pijpen niet los te maken van de verbinding voor de interne reiniging van de snijgroep.*

- Bij het opnieuw monteren van de linkse en rechtse beschermingen, dient men eerst de moeren (2a) en (2b) weer op hun plaats te zetten en vervolgens alle schroeven te bevestigen.

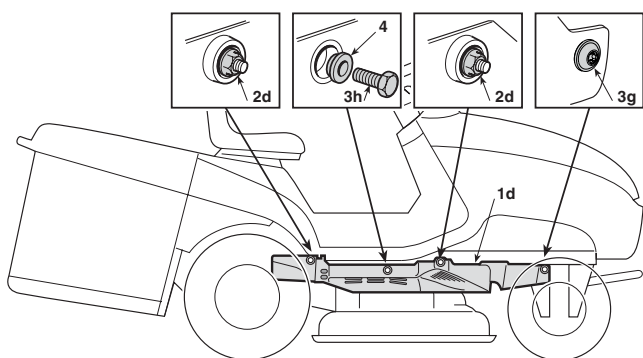


▶ **HF24♦♦♦♦** **HF26♦♦♦♦**

- De linkse bescherming (1c) is bevestigd door:
 - twee moeren (2c), die losgedraaid kunnen worden met een sleutel van 10 mm.;
 - een voorste schroef (3e) die losgedraaid kan worden met een sleutel Torx T30.
 - een centrale schroef (3f) met een afstandstuk (4), die losgedraaid kunnen worden met een sleutel van 10 mm.



- De rechtse bescherming (1d) is bevestigd door:
 - twee moeren (2d), die losgedraaid kunnen worden met een sleutel van 10 mm.;
 - een voorste schroef (3g) die losgedraaid kan worden met een sleutel Torx T30;
 - een centrale schroef (3h) met een afstandstuk (4), die losgedraaid kunnen worden met een sleutel van 10 mm.



- Bij het monteren van de linkse en rechtse beschermingen, moet men erop letten de afstandstukken (3h) correct weer onder de schroeven (3f) en (3h) te plaatsen.

Om elke bescherming te verwijderen en de snijgroep te reinigen, moet men:

- de snij-inrichting in positie "1" (helemaal omlaag) zetten;
- alle moeren en schroeven losdraaien met de juiste sleutels, zowel rechts als links, de twee linkse en rechtse beschermingen verwijderen;
- de afval en de grasresten van de bovenkant van de snijgroep verwijderen.

LET OP! De machine mag niet gebruikt worden als beide beschermingen niet goed gemonteerd zijn. Vervang de beschermingen steeds indien ze beschadigd zijn.

5.4.13 De machine opbergen en geruime tijd niet gebruiken

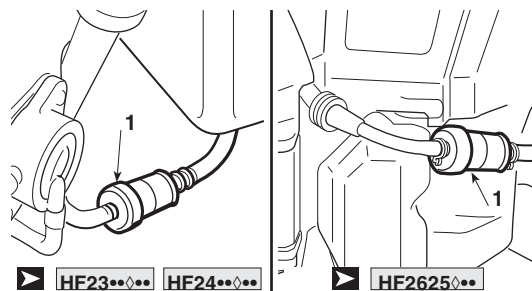
Als een langere periode van inactiviteit (meer dan 1 maand) wordt verwacht, koppelt u de aardkabel van de accu (zwart) los. Smeer ook alle verbindingen zoals aangegeven (☛ 6.2.1).

LET OP! Verwijder zorgvuldig de droge grasresten die zich in de buurt van de motor en de geluiddemper ophoopt kunnen hebben, om het ontstaan van brand te voorkomen als de machine opnieuw gebruikt wordt!

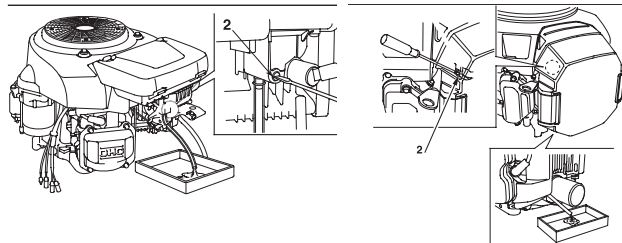
Leeg de brandstoftank door de slang bij de inlaat van het benzinefilter (1) los te koppelen.

Sluit de brandstofslang opnieuw aan. Draai de aftapschroef van de carburateur (2) los en laat de brandstof in een geschikte houder lopen. Draai de aftapschroef erin.

Verwijder de twee bougies en giet een eetlepel schone motorolie in de cilinders. Laat de motor 1 tot 2 seconden draaien met behulp van de startmotor en verdraai de contactsleutel. Hierdoor kan de olie gelijkmatig in de cilinders verdeeld worden. Hermonteer de bougies (☛ 6.4.5).



▶ **HF23♦♦♦♦** **HF24♦♦♦♦** ▶ **HF2625♦♦♦♦**



▶ **HF23♦♦♦♦** **HF24♦♦♦♦** ▶ **HF2625♦♦♦♦**

GEVAAR! Benzine is bijzonder brandbaar. Bewaar de brandstof in speciale reservoirs. Draai de dop altijd weer goed op de tank van de machine en het benzinereservoir.

BELANGRIJK De accu dient opgeborgen te worden op een koele, droge plaats. Laad de accu vóór een lange periode van inactiviteit (meer dan 1 maand) alleen op met de acculader die bij de machine is geleverd en laad deze op voordat u de activiteit hervat. (☛ 6.2.3).

Controleer, voordat er opnieuw met de machine gewerkt wordt, of er geen benzine uit de slangen en de carburateur lekt.

5.4.14 Beveiligingssysteem van de kaart

De elektronische kaart is voorzien van een zelfherstellende bescherming die het circuit onderbreekt van zodra er zich een storing voordoet in de elektrische installatie; de ingreep veroorzaakt het stilvallen van de motor en wordt gemeld door een akoestisch signaal dat enkel uitgeschakeld kan worden door de sleutel te verwijderen.

Het circuit herstelt zichzelf automatisch binnen enkele seconden; de oorzaak dient gevonden en verholpen te worden om herhaling van het voorval te voorkomen.

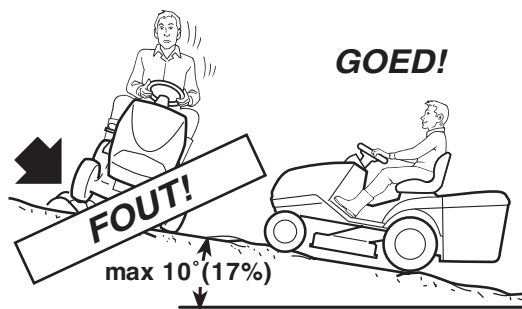
BELANGRIJK Om te voorkomen dat het systeem in werking treedt:

- mogen de polen van de accu niet onderling verwisseld worden;
- mag de machine niet gebruikt worden zonder accu om geen afwijkingen aan de laadregelaar te veroorzaken;
- moet erop gelet worden dat er geen kortsluiting veroorzaakt wordt.

5.5 GEBRUIK OP HELLINGEN

Respecteer de aangegeven beperkingen (**max. 10° - 17%**). Maai een hellend gazon altijd van boven naar beneden en nooit in de dwarsrichting. Pas erg goed op bij het veranderen van richting om niet op obstakels te stuiten (bijv. stenen, takken, wortels, enz.). Deze obstakels kunnen het zijwaarts glijden en het omkiepen van de machine veroorzaken of de macht over het stuur doen verliezen.

Het pictogram (4.13.I) geeft aan dat de hellingshoek van de machine de aanbevolen hellingsgrens benadert.



⚠ GEVAAR! **VERTRAAG DE SNELHEID OP HELLINGEN ALVORENS VAN RICHTING TE VERANDEREN.** Op een helling dient de handrem altijd te worden ingeschakeld alvorens de machine te verlaten en onbeheerd achter te laten.

⚠ LET OP! Op hellingen dient het rijden zeer zorgvuldig te gebeuren om te voorkomen dat de machine zou steigeren. Vertraag de snelheid bij het begin van een helling, vooral bij het afdalen.

⚠ GEVAAR! Gebruik de achteruitversnelling nooit om snelheid te minderen; dit kan de macht over het stuur doen verliezen, vooral op gladde terreinen.

Afdaling van een helling kan uitgevoerd worden zonder het koppelingspedaal te bedienen (☛ 4.22), om zoveel mogelijk gebruik te maken van het remeffect van de hydrostatische aandrijving als de koppeling niet ingeschakeld is.

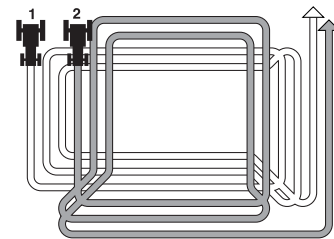
5.6 TRANSPORTPOSITIE

⚠ LET OP! Als de machine op een vrachtwagen of op een oplegger vervoerd moet worden, dient men toegangshellingen met geschikte draagkracht, breedte en lengte te gebruiken. Laad de machine met de motor uitgeschakeld, zonder bestuurder en enkel duwend, met een geschikt aantal personen. Zet, tijdens het transport, de snijgroep omlaag, schakel de handrem in en zorg dat de machine goed vastzit aan het vervoermiddel met touwen of kettingen.

5.7 NUTTIGE RAADGEVINGEN VOOR EEN MOOI MAAIBEELD

1. Voor een mooi, groen en zacht gazon is het nodig dat het gras regelmatig en op de juiste manier gemaaid wordt.

2. Het is beter het gras te maaien als het gazon goed droog is.
3. De snij-inrichtingen dienen geen gebreken te vertonen en goed scherp te zijn, zodat het gras op de juiste manier wordt afgesneden zonder uitgerukt te worden. Dit kan namelijk tot vergeling van de punten leiden.
4. De motor dient op volle toeren te draaien om zowel het gras op de juiste manier af te snijden als een goede afvoer van het gras naar het uitwerpkanaal te verkrijgen.
5. De maaifrequentie wordt bepaald aan de hand van de groei van het gras, waarbij vermeden moet worden dat het gras te hoog wordt.
6. In de warmste en droogste tijden van het jaar is het beter om het gras iets hoger te laten worden zodat het gazon niet uitdroogt.
7. Als het gras erg hoog is, raden wij aan om het gazon, met tussenpoos van één dag, in twee keer te maaien, de eerste keer met de snij-inrichtingen in de hoogste stand en smallere grasstroken tegelijk maaiend en de tweede keer met de snij-inrichtingen in de gewenste stand.
8. Het gazon zal er mooier uitzien als het maaien afwisselend, in de lengte- en in de dwarsrichting uitgevoerd wordt.
9. Als de afvoer zich telkens verstoppt met gras is het beter om de snelheid te vertragen zodat het maaien niet te snel gebeurt ten opzichte van de conditie van het gazon; mocht het probleem aanhouden dan kan het ook zijn dat de snij-inrichtingen niet goed geslepen zijn of dat het profiel van de vleugels vervormd is.
10. Pas erg goed op bij het maaien langs struiken en boorden. Deze kunnen



de stand van de snijgroep ontregelen en de zijkant van de snijgroep en de snij-inrichtingen beschadigen.

5.8 OVERZICHT VAN DE BELANGRIJKSTE HANDELINGEN TIJDENS HET GEBRUIK

Om...	Vereist ...
de motor te starten (☛ 5.4.1)	Bereid de toestemmingen voor het opstarten voor en activeer de sleutel.
Voorwaarts verder te gaan (☛ 5.4.2)	Bedien de gashendel; Druk op het pedaal voor aandrijving voorwaarts (☛ 4.22).
te remmen of te stoppen (☛ 5.4.3)	Laat de motor in toeren afnemen en druk op het rempedaal.
achteruit te rijden (☛ 5.4.4)	Breng de machine; Druk op het pedaal voor achteruit rijden (☛ 4.23).
gras te maaien (☛ 5.4.5)	Haak de opvangzak of de achterbescherming vast; Pas de hoogte van de anti-scalpwielen aan (uitgesloten: HF2317**); Bedien de gashendel; Schakel de snij-inrichtingen in; Stel de snijhoogte af; Druk op het pedaal voor vooruit rijden (☛ 4.22);
de opvangzak te legen (☛ 5.4.6)	Stop met rijden, ontkoppel de snij-inrichtingen en bedien de hendels om de opvangzak te kantelen.
het uitwerpkanaal te legen (☛ 5.4.7)	De hendel voor afstelling van de maaihoogte meerdere malen inschakelen om zo het aflaatkanaal te schudden en vrij te maken. Stop met rijden, ontkoppel de snij-inrichtingen en schakel de motor uit; verwijder de opvangzak en reinig het uitwerpkanaal.
de functie "Mulching" inschakelen (☛ 5.4.8)	<p>▶ HF2317** HF2417HB Dit accessoire (op aanvraag verkrijgbaar) moet worden gemonteerd zoals aangegeven in de betreffende instructies.</p> <p>▶ HF2417HM HF2417HT HF2625** De functie «Mulching» wordt in- of uitgeschakeld aan de hand van een speciale hendel (☛ 4.12).</p>
te stoppen met maaien (☛ 5.4.9)	Schakel de snij-inrichtingen uit en verminder het toerental van de motor
de motor te stoppen (☛ 5.4.10)	Verlaag het motortoerental, wacht een paar seconden, activeer de sleutel.
de machine op te bergen (☛ 5.4.11)	Schakel de handrem in, haal de sleutel uit het contact en reinig de machine, de binnenkant van de snijgroep, het uitwerpkanaal en de opvangzak als dit nodig is.

Gebruik uitsluitend originele reserveonderdelen: onderdelen van een andere kwaliteit kunnen de machine beschadigen en kunnen gevaarlijk zijn voor de gebruiker en derden.

BELANGRIJK Gooi afgewerkte olie, oude benzine of andere vervuilende producten nooit achteloos weg!

Elke keer wanneer ...	Vereist ...
de snij-inrichtingen trillen	Controleer de bevestiging (☛ 6.3.1) of balanceer de snij-inrichtingen (☛ 6.3.1)
de snij-inrichtingen het gras aftrekken en het gazon geel wordt	Slijp de snij-inrichtingen bij (☛ 6.3.1)
De hoogte van het gras onregelmatig is	Stel de uitlijning van de 'snijgroep' af (☛ 6.3.2)
De inschakeling van de snij-inrichtingen onregelmatig is	Stel de regelaar van de koppeling opnieuw in (☛ 6.3.3)
De remmen niet goed werken	Stel de veer van de rem af (☛ 6.3.4)
Het rijden schokkend verloopt	Stel de veer van het koppelstuk bij (☛ 6.3.5)
De opvangzak springt en open gaat	Stel de veer af (☛ 6.3.6)

6. ONDERHOUD

6.1 VEILIGHEIDSADVIEZEN

⚠ LET OP! *Haal de sleutel uit het contact en lees de bijgeleverde instructies alvorens enige reinigings-, onderhouds- of reparatiewerkzaamheden te verrichten. Trek voor het demonteren en monteren van de snij-inrichtingen en voor alle handelingen die gevaarlijk kunnen zijn voor de handen, geschikte kleding en werkhandschoenen aan. De motor moet koud zijn vooraleer het onderhoud aan te vangen.*

⚠ LET OP! *Gebruik de machine nooit als er onderdelen versleten of beschadigd zijn. De defecte of beschadigde onderdelen moeten vervangen en niet gerepareerd worden.*

6.2 PERIODIEK ONDERHOUD

6.2.1 ONDERHOUDSPROGRAMMA

Het doel van deze tabel is om uw machine een optimale conditie te laten behouden. De belangrijkste onderhouds- en smeerwerkzaamheden worden aangegeven met een indicatie van de frequentie waarmee ze moeten worden uitgevoerd; naast elk vindt u een reeks vakjes waarin u of uw dealer de datum of het aantal werkuren noteert waarop de interventie is uitgevoerd.



- Herstel altijd het pictogram en de uurdrempelcode voor interventie (4.13.m) na het uitvoeren van onderhoudsactiviteiten.

HANDELING	ACTIE	INTERVAL				
		BIJ IEDER GEBRUIK	3 MAAN- DEN of 20 UREN	6 MAAN- DEN of 50 UREN	1 JAAR of 100 UREN	300 UREN
Voer het onderhoud uit bij ieder interval van uren of maanden werking, al naar wat zich eerst voordoet						
Motorolie	Controle	●				
	Wissel		● (1)	●		
LuchtfILTER	Controle	●				
	Controle			◆		
	Vervanging				● (3)	● (4)
Rooster van de leiding van de koellucht	Controle	●				
Geluidsdemper	Controle	●				
Rooster van de koelventilator	Controle	●				
Accu	Laden				● (*)	
	Controleer het niveau van de elektrolyt	●				
	Controleer het niveau van de elektrolyt en de dichtheid van het zuur			●		
Banden en bandenspanning	Controle	●				
Riem van de snijgroep	Controle	●				
Overbrengingsriem	Controle		●			
Remmen	Conditie van de rem	●				
	Klemming van de rem en van de bedienstang van de koppeling		● (1)	● (2)		
	Loop rempedaal			●		
	Handrem			●		
Conditie van de moeren van de snij-inrichtingen	Inspectie	●				
Vastklemmen van de moeren van de snij-inrichtingen	Controle			●	●	
Conditie van de snij-inrichtingen	Controle	●				
Invetten voorste en achterste as	Smeren			●		
Bougie	Controle en reiniging				●	
	Vervanging					●
Kabel van de versnellingknop	Controle en afstelling			●		
Reservoir, buis en filter	Controle en afstelling					●
Speling van de kleppen	Controle, vervanging indien nodig					●
Vinnen van de motor en schot	Controle en afstelling					●
Mof van de inschakelpedaal	Reiniging			●		
Mulching systeem	Controle en reiniging	●				
	Afstelling (indien nodig)					●

(*) Als de machine gedurende meer dan 1 maand niet gebruikt werd.
◆ Reinig de luchtfILTER vaker indien de machine in een stoffige zone gebruikt wordt.

(1) Gebruik dit interval enkel voor het eerste onderhoud.
(2) Dit interval heeft betrekking op het tweede onderhoud en op de daaropvolgende onderhoudsbeurten.

(3) GCV530
(4) GXV690

6.2.2 Achteras

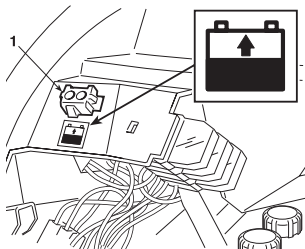
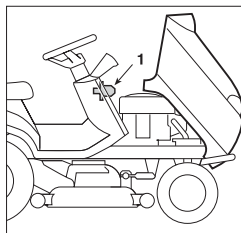
Deze bestaat uit een verzegelde eenheid en vereist geen onderhoud; de eenheid is voorzien van een permanente smering die geen vervanging of aanvulling behoeft.

6.2.3 Accu

Het is fundamenteel om de accu zorgvuldig te onderhouden voor een duurzaam bestaan. De accu van uw machine dient steeds te worden opgeladen:

- bij het eerste gebruik na de aankoop van de machine (☛ 3.1);
- vóór elke langere periode waarin de machine niet zal worden gebruikt;
- vóór de machine na een lange periode van stilstand opnieuw in gebruik te nemen.

De machine is uitgerust met een connector (1) voor het opladen, die moet worden aangesloten op de overeenkomstige connector van de meegeleverde speciale onderhoudsacculader.



BELANGRIJK

Op deze connector mag geen ander apparaat dan de acculader aangesloten worden.

Tijdens perioden van inactiviteit kan het laadniveau constant worden gehouden met de meegeleverde onderhoudsacculader.

BELANGRIJK

De lading moet worden gehandhaafd met de acculader, volgens de instructies in de betreffende gebruiksinstructies. Andere oplaadsystemen kunnen de accu op een onherstelbare manier beschadigen.

Een lege accu moet zo snel mogelijk worden opgeladen, anders kan onherstelbare schade aan de accu-elementen optreden.

Controleer regelmatig het niveau van de elektrolyt; gebruik voor eventuele bijvullingen ENKEL gedistilleerd water voor accu's.

6.3 CONTROLES EN AFSTELLINGEN

6.3.1 Demontage, bijlijpen en balanceren van de snij-inrichtingen

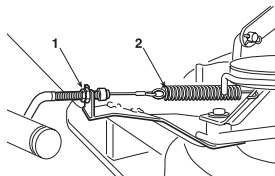
Een slecht geslepen snij-inrichting trekt het gras af, vermindert het laadvermogen en doet het gras geel worden.

BELANGRIJK

Om toegang te verkrijgen tot de snij-inrichtingen, raadt men aan de snijgroep, die voorzien is van een snelle koppeling voor een gemakkelijke verwijdering, te verwijderen.

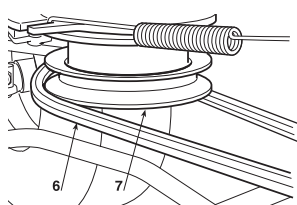
a) Verwijdering van de snijgroep

Verwijder de zijbeschermingen voordat u de assemblage van de snij-inrichtingen verwijdert. (☛ 5.4.12).



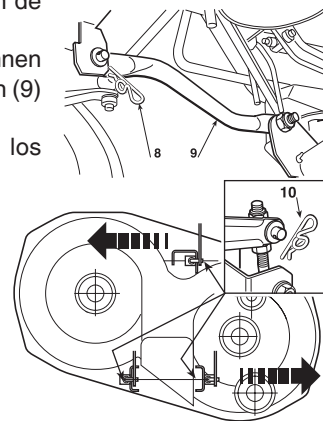
▶ HF2317◆◆

- Nadat u de hendel voor het instellen van de maaihoogte in positie «1» hebt gebracht, verwijdert u de afsteller van de koppelingkabel (1) en laat u de veer (2) los.



- Maak de riem van de snij-inrichtin-

- gen (6) los van de riemschijf van de koppeling (7).
- Verwijder de twee veiligheidsspennen (8) waarmee de twee drijfstangen (9) aan het frame bevestigd zijn.
- Haak de drie borgpennen (10) los waarmee de pennen op de hefhendels bevestigd zijn en zorg ervoor dat u de moeren en borgmoeren niet aanraakt om dezelfde paralleliteit terug te vinden wanneer ze weer gemonteerd worden.

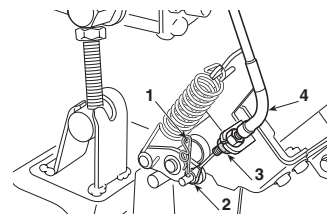


- Na gecontroleerd te hebben dat er geen verhinderingen zijn, kan men de snijgroep verwijderen, door deze lichtjes tegen de klok in te draaien, zodat alle pinnen uit hun huizingen komen.

- Bij de montage, voert men de hierboven beschreven handelingen in de omgekeerde volgorde uit, en verzekert men zich ervan dat het voorste uiteinde van het uitwerpkanaal correct aan de uitgang van de snijgroep past.

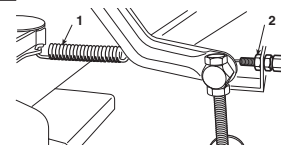
▶ HF2417HM• HF2417HT• HF2625H◆

- Verwijder de bedienkabel van de "Mulching". Verwijder de splitpen (1) en neem het oogje (2) weg. Draai de moer (3) los en verwijder de kabel (4).

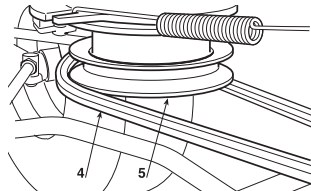


▶ HF24◆◆◆ HF26◆◆◆

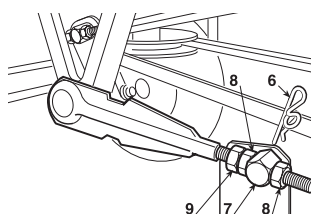
- Zet de hendel om de maaihoogte te regelen op stand "1".



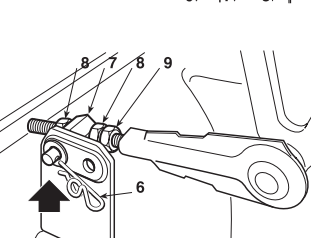
- Haak de veer (1) van de inschakeling van de snij-inrichtingen los.



- Maak het koppelingsregister (2) los en verwijder het van zijn zitting.

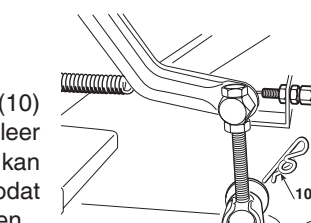


- Maak de riem van de snij-inrichtingen (4) los van de riemschijf van de koppeling (5).



▶ HF24◆◆◆

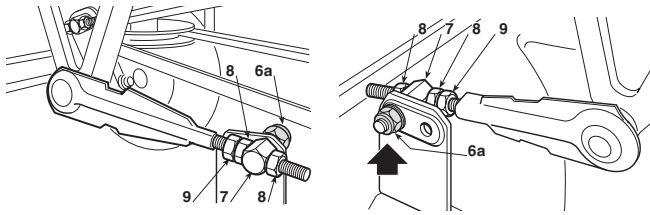
- Verwijder de twee veiligheidsspennen (6) van de twee pennen (7) van de voorste verbindingstangen, zonder de positie van de moeren (8) en borgmoeren (9) los te maken of te veranderen.



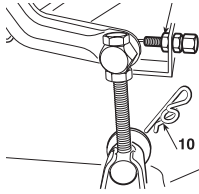
- Haal de twee veiligheidsspennen (10) van de achterste pennen en controleer of er geen verhinderingen zijn, nu kan de snijgroep verwijderd worden zodat alle pinnen uit hun huizingen komen.

HF26♦♦♦♦

Draai de twee moeren (6a) van de twee pennen (7) van de voorste verbindingstangen los, zonder de positie van de moeren (8) en borgmoeren (9) los te maken of te veranderen.



Haal de twee veiligheidspennen (10) van de achterste pinnen en controleer of er geen verhinderingen zijn, nu kan de snijgroep verwijderd worden zodat alle pinnen uit hun huizingen komen.



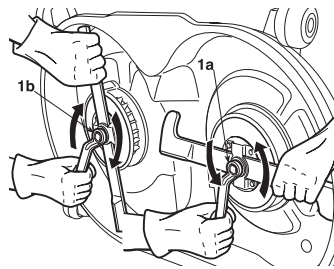
Bij de montage, dient men erop te letten de twee achterste openingen van de haakjes te gebruiken voor de bevestiging van de pinnen (7); voer de hierboven beschreven handelingen in de omgekeerde volgorde uit, en verzeker u ervan dat het voorste uiteinde van het uitwerpkanaal correct aan de uitgang van de snijgroep past.

b) Demontage, bijlijpen en balanceren van de snij-inrichtingen

LET OP! Alle handelingen aan de snij-inrichting (demontage, slijpen, in balans brengen, hermontage en/of vervanging) zijn inspannende werken en vergen een welbepaalde vaardigheid en het gebruik van speciaal gereedschap; uit veiligheidsoverwegingen, raadt men dus aan zich tot een gespecialiseerd servicecentrum te richten indien men niet over het geschikte gereedschap of kennis beschikt.

LET OP! Draag stevige werkhandschoenen om de snij-inrichtingen te hanteren.

Om een snij-inrichting te demonteren, neemt men dit stevig vast en draait men de centrale schroef (1a - 1b) los met een sleutel van 15 mm in de richting aangegeven door het pijltje voor iedere snij-inrichting, aangezien de ene bevestigingsschroef een rechtse schroefdraad heeft en de andere een linkse.

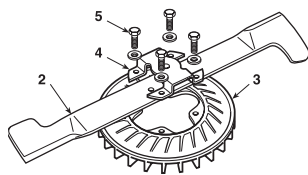


1a = schroef met schroefdraad rechts (losdraaien tegen de wijzers van de klok in)

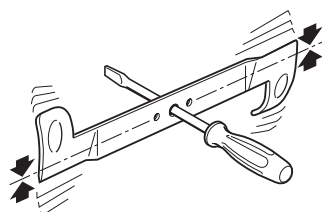
1b = schroef met schroefdraad links (losdraaien in wijzerzin)

De snij-inrichting (2) is aan de rotor (3) bevestigd door middel van de steun (4) en vier schroeven met rondsels (5).

Draai met een 10 mm sleutel de vier schroeven (5) los en maak de snij-inrichting (2) los van de steun (4).



Slijp beide snij-inrichtingen met behulp van een slijpschijf met een middelgrote korrel en controleer of de snij-inrichtingen in balans zijn door een ronde staaf in het middelste gat te plaatsen.



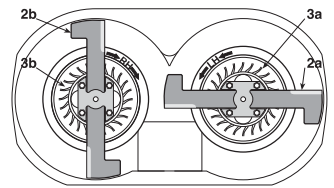
LET OP! Vervang de beschadigde of verwrongen snij-inrichtingen steeds; probeer ze nooit te herstellen! **GEBRUIK STEEDS ORIGINELE SNIJ-INRICHTINGEN!**

Op deze machine mogen alleen de volgende koppels snij-inrichtingen gebruikt worden

HF 2317:	2b	80395-Y09-003 (82004345/1)	-	80394-Y09-003 (82004344/1)	2a
HF 2417:	2b	72511-VK1-A11 (82004341/1)	-	72531-VK1-A11 (82004340/1)	2a
HF 2625:	2b	72511-VK1-B11 (82004343/0)	-	72531-VK1-B11 (82004342/0)	2a

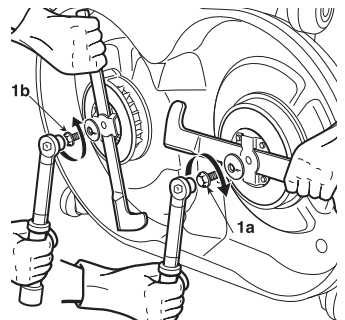
LET OP! De snij-inrichtingen (2) en de rotoren (3) zijn onderling verschillend en draaien in de tegenovergestelde richting. Verzeker u er bij de montage dat de originele posities in acht genomen worden.

Monteer elke snij-inrichting (2a - 2b) weer op zijn rotor (3a - 3b), volgens de vermeldingen "RH" (rechts) en "LH" (links) die op de rotor en aan de binnenkant van de snijgroep gedrukt zijn en draai de vier schroeven (5) met rondsels vast met een sleutel met regelbare koppel op 9,5 Nm.



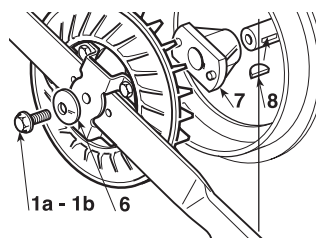
OPMERKING De vermeldingen "rechts" en "links" hebben betrekking op de positie van de bestuurder.

LET OP! Als een van de naven of beide naven (7) van de as loskomen tijdens het demonteren van de snij-inrichtingen, controleer dan of de wiggen (8) goed in hun zittingen geplaatst werden. Bij het monteren dient de aangegeven volgorde aangehouden te worden. Let erop dat de vleugeltjes van de snij-inrichtingen naar de binnenkant van de snijgroep wijzen en dat de holle kant van de elastische veerring (6) tegen de snij-inrichting drukt. Draai de bevestigingsschroeven (1a-1b) aan met een 45-50 Nm dynamometrische sleutel.



1a = schroef met schroefdraad rechts (aandraaien in wijzerzin)

1b = schroef met schroefdraad links (aandraaien tegen de wijzers van de klok)

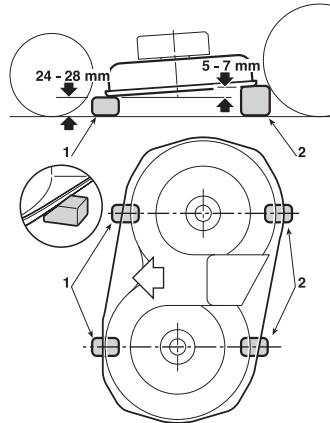


6.3.2 Uitlijning van de snijgroep

Een correcte afstelling van de snijgroep is belangrijk om een mooi gelijkmatig gemaaid gazon te verkrijgen.

OPMERKING Voor een mooi maieresultaat is het verstandig om ervoor te zorgen dat de voorkant altijd 5-7 mm lager staat afgesteld dan de achterkant.

- Plaats de machine op een vlakke ondergrond en kijk na of de banden de juiste spanning hebben;
- plaats in overeenstemming met de middellijn van de snij-inrichtingen twee vulringen (1) van 24-28 mm onder de voorrand van de snij-inrichting en twee vulringen (2) 5-7 mm hoger onder de achterrand;
- breng de hefhendel naar positie «1».



▶ HF2317...

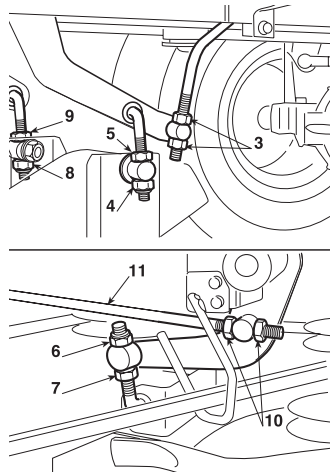
- Schroef de twee moeren (3), de moeren (4 - 6 - 8) en tegenmoeren (5 - 7 - 9) van de drie gelede drijfstangen volledig los, tot de snijgroep op de vulstukken rust;
- schroef de bovenste rechtermoeren (6 - 8) en de onderste linkermoer (4) los tot men voelt dat de snijgroep omhoog begint te komen; blokkeer de drie tegenmoeren (5 - 7 - 9) en verstel de moeren (3) tot een minimale beweging van de hefhendel een gelijkaardige beweging van alle drijfstangen teweegbrengt.

Een hoogteverschil ten opzichte van het terrein tussen de rechter- en linkerboord van de snijgroep wordt gecompenseerd m.b.v. de twee moeren (4 - 8) en tegenmoeren (5 - 9) van de achterste drijfstangen.

Zet de bedienhendel in 2 of 3 verschillende standen, en controleer of de snijgroep gelijkmatig wordt opgetild en dat voor elke stand het hoogteverschil tussen de voorste en de achterste boord ten opzichte van het terrein constant blijft.

Indien het optillen vooraan wat sneller of trager gebeurt ten opzichte van stand, kan de beweging worden bijgestuurd m.b.v. de moeren (10) van de aansluitstang (11).

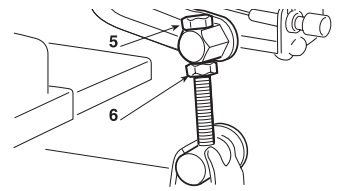
Door de moeren van de stang aan te zetten wordt het voorste deel opgetild en de beweging versneld.



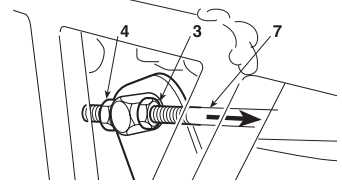
▶ HF24...♦♦♦ HF26...♦♦♦

- Draai de moeren (3), de schroeven (5) en de tegenmoeren (4 - 6) zowel rechts als links los, zodat de snijgroep stabiel op de vulstukken steunt;
- duw de twee verbindingstaven (7) achteruit en verdraai de twee moeren (3) op de twee daarbij horende staven totdat u voelt dat het voorste deel van de snijgroep zowel rechts als links omhoog begint te komen; blokkeer vervolgens de tegen-

- moeren (4);
- verstel beide achterste moeren (5) totdat u voelt dat het achterste deel van de snijgroep zowel rechts als links omhoog begint te komen; blokkeer vervolgens de tegenmoeren (6).



Indien men geen goede afstelling kan verkrijgen van de snijgroep, dient men zijn Dealer te raadplegen.

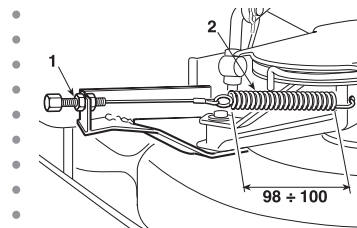


6.3.3 Afstelling van de koppeling en rem van de snijgroep

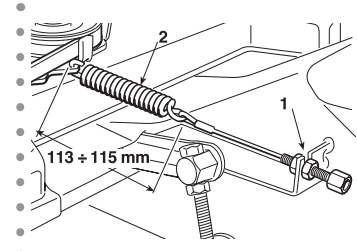
Tijdens het bedienen van de hendel om de snij-inrichtingen te ontkoppelen, wordt er tegelijkertijd een rem in werking gesteld die het draaien in enkele seconden stopt. Eventuele rek in de kabel en de lengteverschillen in de drijfriem kunnen ontkoppeling of een onregelmatig draaien van de snij-inrichtingen veroorzaken. In dit geval moet men de regelaar verstellen, volgens de verschillende werkwijzen van ieder model.

Verstel de regelaar (1) tot de veer (2) de juiste lengte heeft.

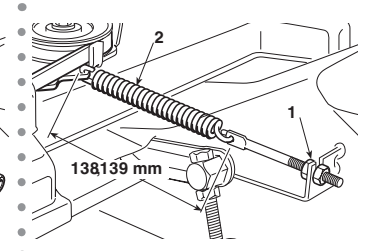
▶ HF2317...



▶ HF2417♦♦♦



▶ HF2625♦♦♦



In ieder geval, indien de koppeling na de inschakeling de riem niet correct kan inschakelen of de snij-inrichtingen niet na enkele seconden stilvallen, dient men onmiddellijk de Dealer te contacteren.

6.3.4 Bijstellen van de rem

De verlenging van de remafstanden ten opzichte van de aangegeven waarden (☛ 5.3.6), vereist de afstelling van de remveer.

Registratie moet plaatsvinden met de parkeerrem ingeschakeld.

Toegang tot de verstelling is mogelijk door het luikje in de tunnel aan de onderkant van de stoel te verwijderen.

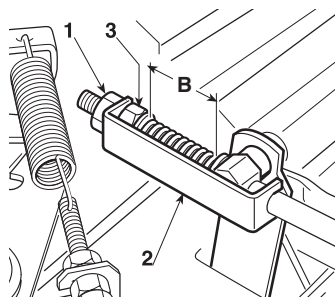
Draai de moer (1) los waarmee de beugel (2) bevestigd is en werk op de moer (3) totdat een veerlengte wordt verkregen van:

B = 45 - 47 mm

gemeten binnenin de rondsels. Vergrendel de moer (1) zodra de aanpassing is uitgevoerd.

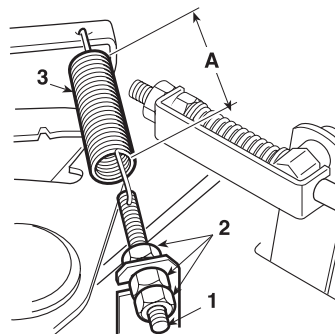
BELANGRIJK Haal niet aan onder deze waarden om overbelasting van de remassemblage te voorkomen.

LET OP! **Neem onmiddellijk contact op met uw dealer als de juiste werking van de rem niet is hersteld. PROBEER GEEN ANDERE INTERVENTIES OP DE REM UIT TE VOEREN NAAST DEGENE DIE HIER BESCHREVEN ZIJN.**



6.3.5 Afstellen van de spanning van de aandrijfriem

Als de machine niet voldoende rijkraft vertoont dient de spanning van de spanningsveer afgesteld te worden zodat de beste werkconditie herkegen wordt. Toegang tot de verstelling is mogelijk door het luikje in de tunnel aan de onderkant van de stoel te verwijderen.



Draai de borgmoeren (2) los en draai de schroef (1) zo nodig los om een lengte "A" van de veer (3) te verkrijgen van:

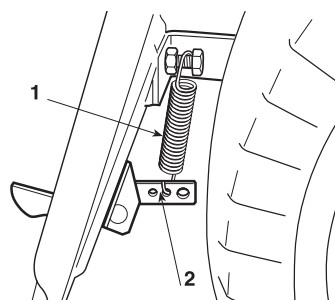
A = 109 - 111 mm

opgemeten aan de buitenkant van de schroefwindingen. Na het afstellen dienen de moeren (2) weer vastgedraaid te worden.

OPMERKING Let goed op bij het gebruik van de machine na het vervangen van de drijfsnaar. Het koppelen kan in het begin wat brusk gaan totdat de drijfsnaar ingereden is.

6.3.6 Afstelling van de veer van de bevestigingshaak van de opvangzak

Indien de opvangzak springt of opengaat wanneer men op een oneven terrein rijdt of indien het moeilijk is de opvangzak weer vast te haken na het ledigen, moet men de spanning van de veer (1) afstellen.

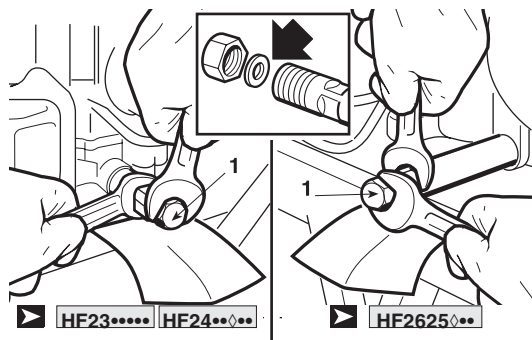


Wijzig het verbindingpunt door een van de gaten te gebruiken (2) tot het gewenste resultaat verkregen is.

6.4 DEMONTAGE EN VERVANGING

6.4.1 Vervanging motorolie

Laat de olie af wanneer de motor koud is.



Verwijder de vuldop met de peilstok en plaats een stuk karton of iets dergelijks onder de afvoerpijp om te voorkomen dat de olie op het machineframe druppelt.

Schroef de dop (1) los; let bij het opnieuw monteren van de dop op de positionering van de interne afdichting.

Vul met de aanbevolen olie totdat deze de bovenste limiet van de peilstok bereikt (☛ 5.3.3). Schroef de dop met de peilstok weer vast.

6.4.2 Oliefilter vervangen

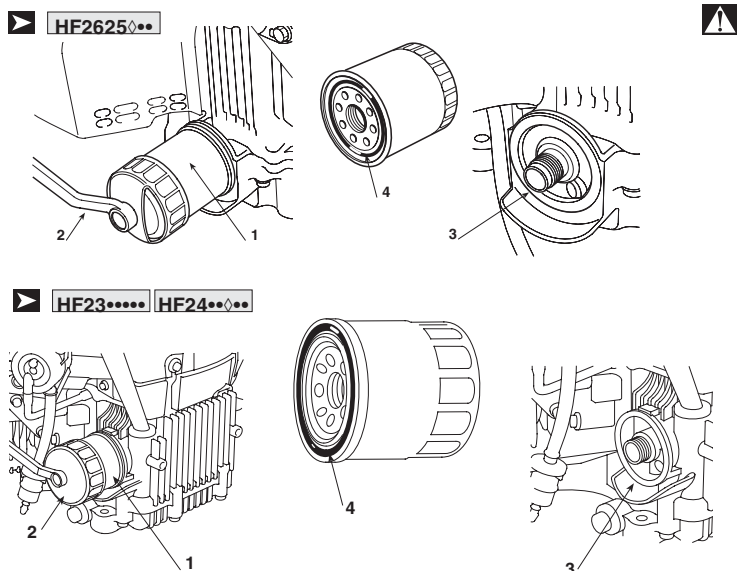
1. Laat de motorolie af (☛ 6.4.1).
2. Verwijder het oliefilter (1) met de filtersleutel (2) en laat de resterende olie weglopen. Gooi het oliefilter weg.
3. Reinig de basis van het filter (3).
4. Bedek de nieuwe torusvormige afdichting (4) op het nieuwe filter met schone motorolie.
5. Installeer het nieuwe oliefilter op de filterbasis en draai het met de hand vast totdat de O-ring tegen de filterbasis zit.
6. Schroef het oliefilter op het voorgeschreven aanhaalmoment aan (12 Nm - 1,20 kgm).

BELANGRIJK Gebruik alleen een echt Honda-oliefilter of een filter van vergelijkbare kwaliteit dat specifiek is voor uw model. Het gebruik van een ongeschikt Honda-filter of een niet-Honda-filter dat niet van vergelijkbare kwaliteit is, kan de motor beschadigen.

7. Vul de motor met de gespecificeerde hoeveelheid aanbevolen olie. Start de motor en controleer of het filter niet lekt.
8. Stop de motor en controleer opnieuw het oliepeil. Vul indien nodig olie bij tot aan het geschikte niveau.

OPMERKING Neem contact op met uw erkende Honda-dealer voor advies over de filtersleutel (speciaal gereedschap).

6.4.3 Bijstand voor het luchtfilter



LET OP! Reinig het luchtfilter nooit met benzine of licht ontvlambare oplosmiddelen. Dit kan een explosie of brand veroorzaken.

BELANGRIJK Laat de motor niet draaien zonder het luchtfilter. Vreemde voorwerpen zoals stof en vuil kunnen doordringen en snelle motorslijtage veroorzaken.

1.

▶ **HF23♦♦♦♦** **HF24♦♦♦♦** :

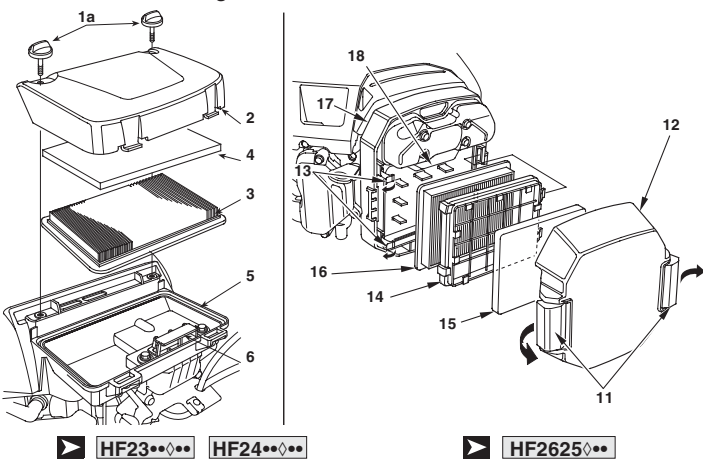
- Verwijder de twee bouten (1a) van het luchtfilterdeksel uit het luchtfilterdeksel en verwijder het deksel.
- Verwijder het papieren element (3) van het luchtfilterhuis (5).
- Verwijder het sponsrubberelement (4) van het luchtfilterdeksel (2)

▶ **HF2625♦♦♦♦** :

- Maak de twee ontgrendellipjes (11) los van het deksel (12) van het luchtfilter.
- Haak de twee lipjes (13) los van de filtersteun (14), verwijder vervolgens de filtersteun (14) en verwijder het sponsrubberelement (15) van de steun. Verwijder het papieren element (16).

2. Reinig de luchtfilterelementen als u ze opnieuw wilt gebruiken.

- **Sponsrubberelement (4-15):** reinig dit in heet zeepwater, spoel en droog het volledig. Of reinig het in een niet-ontvlambaar oplosmiddel en droog het. Impregneer het element met reine motorolie, en wring het uit om de overtollige olie te verwijderen. Indien er te veel olie op het sponselement blijft, zal er rook uit de motor komen wanneer deze opgestart wordt.
- **Papierelement (3-16):** klop het element een paar keer lichtjes op een hard oppervlak om overtollig vuil te verwijderen of blaas perslucht (niet meer dan 2,1 kg/cm²) door het filter aan de zijkant van het luchtfilterhuis). Probeer nooit het vuil weg te borstelen; borstelen zou vuil in de vezels brengen. Vervang het papieren element als het erg vuil is.



3. Veeg het vuil weg van de binnenkant van het luchtfilterhuis (5-17) en van het deksel met een vochtige doek. Zorg ervoor dat er geen vuil in de schone kamer (6-18) komt die de carburateur bereikt.

4. Installeer de luchtfilterpatronen en het deksel opnieuw.

▶ **HF23♦♦♦♦** **HF24♦♦♦♦** : Klem de twee bouten (1a) van het luchtfilterdeksel stevig vast.

▶ **HF2625♦♦♦♦** : Haak de vergrendellipjes (11) stevig vast.

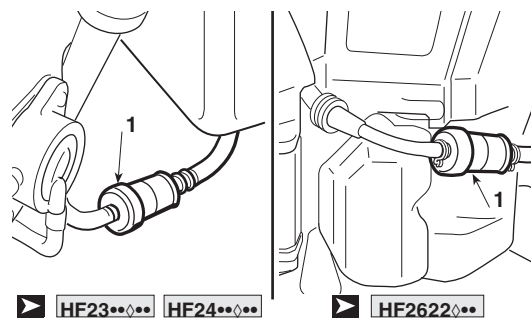
OPMERKING Voorkom dat stof, vuil en afval de reinigingskamer (luchtfilterhuis) binnendringen tijdens het onderhoud van de luchtfilter.

6.4.4 Onderhoud brandstoffilter

LET OP! Benzine is een licht ontvlambare stof die onder bepaalde omstandigheden kan ontploffen. Rook niet

en breng geen vlammen of vonken in de buurt van de motor.

Controleer of er zich geen water of sediment in het brandstoffilter (1) heeft verzameld. Breng de motor in dit geval naar uw erkende Honda-dealer.



6.4.5 Onderhoud bougie

Aanbevolen bougies:

▶ **HF23♦♦♦♦** **HF24♦♦♦♦** :

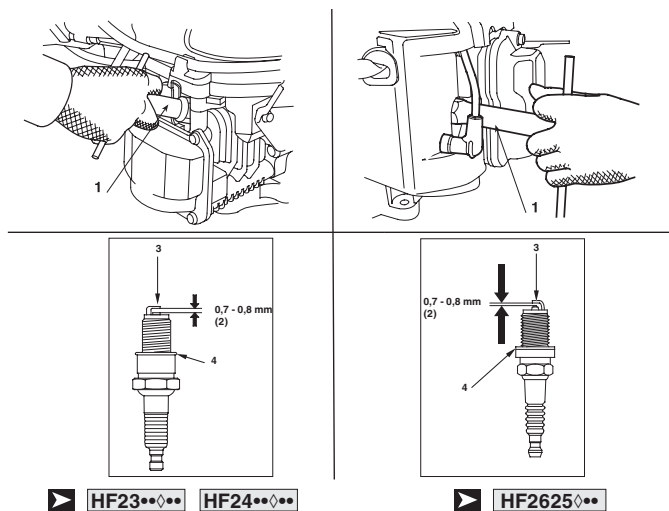
- BPR5ES (NGK) - W16EPR-U (DENSO).

▶ **HF2625♦♦♦♦** :

- ZFR5F (NGK)

BELANGRIJK Gebruik nooit een bougie met een ongeschikt thermisch bereik.

Voor een goede werking van de motor moet de elektrode-opening van de bougie geschikt zijn en mogen de bougies geen koolstofafzettingen bevatten.



1. Verwijder de bougiedeksels en gebruik een bougiesleutel (1) om elke bougie te verwijderen.

LET OP! Als de motor ingeschakeld is geweest, is de uitlaatdemper erg heet. Pas op dat u zich niet verbrandt.

2. Controleer de kaarsen visueel. Gooi de bougie weg als u slijtage opmerkt of als de isolator gechipt of gebarsten is. Reinig de bougies met een staalborstel als u ze opnieuw wilt gebruiken.

3. Meet het interval van de bougie-elektrodes (2) met een diktemeter en corrigeer deze indien nodig door de zijelektrode te buigen (3). Het interval moet als volgt zijn: 0,7 - 0,8 mm.

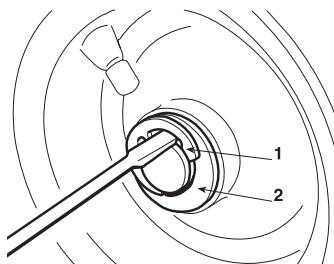
4. Controleer of het bougie rondsel (4) in goede staat is en schroef de bougie met de hand vast om schade aan de schroefdraad te voorkomen.

5. Nadat de kaars op zijn basis is geplaatst, draait u deze vast met

een bougiesleutel (1) zodat hij het rondsel aandrukt.

OPMERKING Wanneer u de nieuwe bougie installeert, draait u deze 1/2 draai na het bezinken om het rondsel aan te drukken. Draai bij het vervangen van een gebruikte bougie deze 1/8 1/4 slag vast totdat deze is neergedaald om het rondsel aan te drukken.

BELANGRIJK De bougies moeten stevig worden vastgedraaid. Als de bougies niet goed worden vastgedraaid, kunnen ze oververhit raken en de motor beschadigen.



6.4.6 De wielen vervangen

Plaats de machine op een vlakke ondergrond en plaats aan de kant waar het wiel vervangen moet worden, een steunblok, onder een dragend deel van het chassis.

De wielen worden op hun plaats gehouden door een elastische ring (1) die verwijderd kan worden door middel van een schroevendraaier.

De achterbanden zijn rechtstreeks op de steekassen gemonteerd door middel van een spie in de naaf van de band.

OPMERKING Bij het vervangen van één of beide achterwielen dient erop gelet te worden dat ze dezelfde diameter hebben. Controleer tevens de afstelling van de snijgroep om een ongelijkmatig maaibeeld te voorkomen.

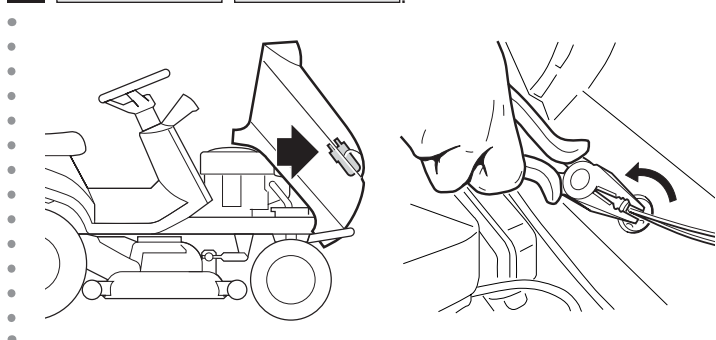
BELANGRIJK Alvorens de banden aan te brengen dienen de wielassen met vet gesmeerd worden en dienen de elastische ring (1) en de borgring (2) weer precies op hun plaats gezet te worden.

6.4.7 De banden repareren of vervangen

De banden zijn "Tubeless" en iedere vervanging of reparatie als gevolg van een lek dient dan ook door een vakman uitgevoerd te worden volgens de, voor dit type banden, geldende voorschriften.

6.4.8 De koplampen vervangen

HF23♦♦♦♦ **HF2417HB♦**



De koplampen (10W) zijn door middel van een bajonetfitting in de lamphouder gedraaid. De lamphouder kan verwijderd worden door deze met behulp van een tang tegen de klok in te draaien.

6.4.9 Een zekering vervangen

Op de machine bevinden zich enkele zekeringen van verschillende capaciteit, waarvan de functies en kenmerken in de volgende tabel worden weergegeven:

1 - 10 Amp - (Rood)

bescherming van de algemene circuits en van de vermogenscircuits van de elektronische kaart;

HF23♦♦♦♦

HF24♦♦♦♦

• 2 - 15 Amp - (Blauw)

bescherming van het laadcircuit;

HF2625H♦♦

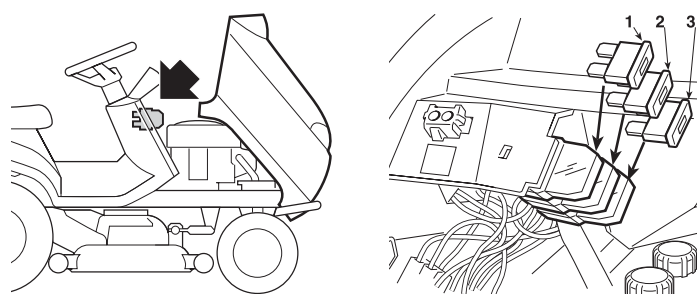
• 2 - 15 Amp - (Blauw)

bescherming van het laadcircuit;

• 3 - 10 Amp - (Rood)

bescherming van het bestuurscircuit kanteling zak.

- Door de tussenkomst van de zekering (1) stopt de machine en gaat het dashboard volledig uit.
- De zekering (2) wordt geactiveerd wanneer het acculampje gaat branden (zie 4.13.f).
- De tussenkomst van de zekering (3) verhindert de werking van de besturingsmotor voor de kanteling van de zak.



BELANGRIJK Een doorgebrande zekering dient altijd vervangen te worden door eenzelfde type met hetzelfde vermogen.

Neem contact op met uw dealer als de oorzaken van de ingreep niet kunnen worden verholpen.

6.4.10 Vervanging van de riemen

De vervanging van de riemen vereist demontage en daaropvolgende vrij complexe aanpassingen en het is essentieel dat dit aan uw dealer toevertrouwd wordt.

OPMERKING Vervang de drijfsnaren zodra zij tekenen van slijtage vertonen! **GEBRUIK ALTIJD ORIGINELE DRIJFSNAREN!**

7. RICHTLIJNEN OM PROBLEMEN VAST TE STELLEN

PROBLEEM	MOGELIJKE OORZAAK	OPLOSSING
1. Met de sleutel op «DRAAIEN», blijft het dashboard uit, zonder enig geluids-signaal	Tussenkost van het beschermingssysteem van de elektronische kaart wegens: <ul style="list-style-type: none"> – niet goed aangesloten accu – omgewisselde polen van de accu – lege of gesulfateerde accu – doorgebrande zekering – onzekere massa op de motor of op het frame 	Zet de sleutel op stand «STOP» en zoek de oorzaken van het defect: <ul style="list-style-type: none"> – controleer de aansluitingen (☛ 3.1) – controleer de aansluitingen (☛ 3.1) – laad de accu opnieuw op (☛ 6.2.3) – vervang de zekering (10 A) (☛ 6.4.9) – controleer de aansluiting van de zwarte draden
2. Met de sleutel op «DRAAIEN», blijft het dashboard uitgeschakeld, maar wordt er een continu akoestisch signaal geactiveerd	Tussenkost van het beschermingssysteem van de elektronische kaart wegens: <ul style="list-style-type: none"> – natte kaart – te hoge spanning van de accu – problemen aan de elektronische kaart 	Zet de sleutel op stand «STOP» en zoek de oorzaken van het defect: <ul style="list-style-type: none"> – droog met lauw/warme lucht – controleer de accuspanning – controleer de aansluitingen (☛ 3.1) – vervang de accu – contacteer uw Dealer
3. Met de sleutel in de stand «START», gaat het dashboard aan, maar de startmotor draait niet	<ul style="list-style-type: none"> – niet goed opgeladen accu – niet goed aangesloten massa van de startmotor – geen consensus voor opstarten (☛ 5.2) 	<ul style="list-style-type: none"> – laad de accu opnieuw op (☛ 6.2.3) – controleer de aansluitingen van de aardegeleiders – schakel de snij-inrichtingen uit: (indien het probleem aanhoudt, moet men de desbetreffende microschakelaar controleren) – zet de koppeling in de vrije stand (N) – zit stevig op de stoel
4. De sleutel staat in de «START» stand, de startmotor draait maar de motor slaat niet aan	<ul style="list-style-type: none"> – niet goed opgeladen accu – te weinig benzineaanvoer <ul style="list-style-type: none"> – defect in de ontsteking <ul style="list-style-type: none"> – geen olie 	<ul style="list-style-type: none"> – laad de accu opnieuw op (☛ 6.2.3) – controleer het niveau in de benzinetank (☛ 5.3.3) – controleer de bedrading van de openingsmagneet brandstof – controleer het filter van de benzine (☛ 6.4.4) <ul style="list-style-type: none"> – controleer of de bougiekap juist bevestigd is (☛ 6.4.5) – controleer of de elektroden niet vuil zijn en of hun onderlinge afstand juist is (☛ 6.4.5) <ul style="list-style-type: none"> – controleer het motoroliepeil en vul bij indien nodig (☛ 5.3.3)
5. Een moeilijke start of een onregelmatige werking van de motor	– problemen aan de carburateur	<ul style="list-style-type: none"> – reinig of vervang het luchtfilter (☛ 6.4.3) – maak het bakje van de carburateur schoon (☛ 5.4.13) – leeg de benzinetank en vul met nieuwe benzine (☛ 5.4.13) – controleer en vervang eventueel de benzinefilter (☛ 6.4.4)
6. De machine start niet	– transmissie niet in neutraal (N) met "Cruise Control" niet uitgeschakeld na het vorige gebruik.	<ul style="list-style-type: none"> – zet de sleutel op «STOP» – schakel de inrichting "Cruise Control" uit (☛ 4.9) Controleer of het controlelampje voor neutrale transmissie (N) (4.13.j) op het display oplicht. Neem contact op met uw dealer als het probleem zich blijft voordoen.
7. Tijdens het maaien is er een krachtverlies van de motor	– de rijsnelheid is te hoog ten opzicht van de snijhoogte (☛ 5.4.5)	– neem in snelheid af en/of zet de snijgroep in een hogere stand.
8. Wanneer de snij-inrichtingen ingeschakeld worden, valt de motor uit	<ul style="list-style-type: none"> – geen consensus voor het inschakelen van de snij-inrichtingen (☛ 5.2) <ul style="list-style-type: none"> – Snij-inrichtingen ingeschakeld met achteruitversnelling ingeschakeld 	<ul style="list-style-type: none"> – ga correct zitten (controleer de relatieve microschakelaar als het probleem blijft bestaan) – controleer of de opvangzak of de aflaatbeveiliging correct aangebracht zijn (indien het probleem aanhoudt, moet men de desbetreffende microschakelaar controleren) <ul style="list-style-type: none"> – Druk op de toets voor consensus maaien in achteruitversnelling (☛ 4.7)
9. De inrichting "Cruise Control" wordt niet ingeschakeld (activeren)		
10. Het apparaat "Cruise Control" wordt niet uitgeschakeld (deactiveren): - door op de paddestoelknop te drukken (4.9) - door de pedaal voor voorwaartse werking in te schakelen (4.22) - door het rempedaal in te schakelen (4.23)	– De componenten van de inrichting zijn geblokkeerd of beschadigd	<ul style="list-style-type: none"> – Zet de sleutel op «STOP» – Contacteer uw Dealer.
11. Het controlelampje van de accu gaat niet uit na enkele minuten werk	– onvoldoende lading van de accu	– controleer de aansluitingen

PROBLEEM	MOGELIJKE OORZAAK	OPLOSSING
12. Het controlelampje van de accu knippert	<ul style="list-style-type: none"> – de accu bereikt de overspanningsdrempel 	<ul style="list-style-type: none"> – Zet de sleutel onmiddellijk op «STOP»; – Ontkoppel de accu; – Contacteer uw Dealer
13. Het controlelampje van de olie gaat aan tijdens het werken	<ul style="list-style-type: none"> – problemen met de smering van de motor 	<p>Zet de sleutel onmiddellijk op «STOP»:</p> <ul style="list-style-type: none"> – herstel het niveau in de olietank (➔ 5.3.3) - vervang het filter (contacteer uw Dealer indien het probleem aanhoudt)
14. – Kalibratie mislukt. De hellingslampjes (4.13.l) knipperen afwisselend	<ul style="list-style-type: none"> – de condities van de machine zijn niet gerespecteerd – kalibratie te laat 	<ul style="list-style-type: none"> – Zet de sleutel op «STOP», controleer de condities van de machine en neem contact op met uw dealer om de sensor opnieuw te kalibreren.
15. – De hellingslampjes (4.13.l) lichten vaak foutief op	<ul style="list-style-type: none"> – defect van de sensor 	<ul style="list-style-type: none"> – Contacteer uw Dealer
16. –De hellingslampjes (4.13.l) lichten op wanneer het oppervlak vlak is of een laag verloop heeft.	<ul style="list-style-type: none"> – er wordt niet veilig gereden – lage bandenspanning – hellingsensor niet gekalibreerd – problemen aan de elektronische kaart 	<ul style="list-style-type: none"> – Rijd zonder plotselinge inschakelingen; starten, stoppen en draaien – controleer de bandendruk – contacteer uw Dealer – contacteer uw Dealer
17. Met de sleutel op "DRAAIEN" wordt het USB-apparaat niet opgeladen	<ul style="list-style-type: none"> – slecht verbonden inrichting – inrichting niet verbonden – storing van de USB-kabel – temperatuur USB-aansluiting te hoog – de accu niet goed is opgeladen 	<p>Zet de sleutel op stand «STOP» en zoek de oorzaken van het defect:</p> <ul style="list-style-type: none"> – controleer de verbinding van de inrichting – controleer de verbinding van de inrichting – gebruik een andere USB-kabel – wacht tot de plug is afgekoeld en probeer het opnieuw <p>– controleer de accuspanning en het laadsysteem</p>
18. De code voor het onderhoudsinterval verschijnt niet wanneer de interventiedrempel bereikt is. (▶ modellen HF2417•••)	<ul style="list-style-type: none"> – te hoge spanning van de accu 	<ul style="list-style-type: none"> – controleer de accuspanning op het display en wacht tot de spanningswaarde onder 12,7V zakt. Probeer dan opnieuw.
19. De code voor het onderhoudsinterval en het bijbehorende pictogram kunnen niet hersteld worden, ook al is de motor uitgeschakeld. (▶ modellen HF2417•••)		
20. De rij-uren (4.13.a.1) worden niet geteld (▶ modellen HF2417•••)	<ul style="list-style-type: none"> – controller losgekoppeld – defect aan de controller of aan de elektronische kaart 	<ul style="list-style-type: none"> – controleer de aansluiting van de controller – controleer de spanning van de accu met de motor ingeschakeld. <p>Als de spanningswaarde lager is dan 12,7V, betreft de fout de controller. Als de spanningswaarde hoger is dan 12,7V, betreft de fout de elektronische kaart.</p>
21. De rij-uren (4.13.a.1) worden niet geteld (▶ modellen HF2625•••)	<ul style="list-style-type: none"> – motortoerentalsignaal losgekoppeld – defect aan de motor of aan de elektronische kaart 	<ul style="list-style-type: none"> – controleer de aansluiting van het motortoerentalsignaal – controleer de numerieke waarde en de motortoerentalindicator op het display terwijl de motor draait. <p>Als de numerieke waarde en de grafische indicator weergegeven worden, kan de fout betrekking hebben op de elektronische kaart. Als beide niet worden weergegeven, ligt de fout bij de motor.</p>
22. De helderheid van de LED-koplamp vermindert tijdens het werk.	<ul style="list-style-type: none"> – lage accuspanning – de temperatuur van het elektronische apparaat in de koplampunit is te hoog. 	<p>Zet de sleutel op stand «STOP» en zoek de oorzaken van het defect:</p> <ul style="list-style-type: none"> – controleer de accuspanning en het laadsysteem – wacht even. Start dan opnieuw.
23. De hoofd- LED-koplamp gaat niet aan in donkere omstandigheden, met het parkeerlicht (daglicht) ingeschakeld.	<ul style="list-style-type: none"> – connector ontkoppeld – kabel slecht verbonden – problemen aan de elektronische kaart – bedrading beschadigd 	<p>Zet de sleutel op stand «STOP» en zoek de oorzaken van het defect:</p> <ul style="list-style-type: none"> – controleer de verbindingen en de kabels – contacteer uw Dealer
24. Het parkeerlicht (daglicht) gaat niet aan	<ul style="list-style-type: none"> – connector ontkoppeld – kabel slecht verbonden – bedrading beschadigd 	<p>Zet de sleutel op stand «STOP» en zoek de oorzaken van het defect:</p> <ul style="list-style-type: none"> – controleer de verbindingen en de kabels – contacteer uw Dealer

<p>25. De motor stopt, en er wordt een akoestisch signaal gegeven</p>	<p>Interventie van de beveiliging van de kaart wegens:</p> <ul style="list-style-type: none"> - de accu is chemisch wel actief, maar is niet opgeladen - er is te veel spanning, veroorzaakt door de laadregelaar - de accu is niet goed verbonden (er wordt onjuist contact gemaakt) - de massa van de motor is niet goed 	<p>Zet de sleutel op stand «STOP» en zoek de oorzaken van het defect:</p> <ul style="list-style-type: none"> - laad de accu opnieuw op (☛ 6.2.3) - contacteer uw Dealer - controleer de aansluitingen (☛ 3.1) - controleer de massa van de motor
<p>26. De motor stopt, zonder enig akoestisch signaal</p>	<ul style="list-style-type: none"> - accu niet verbonden - geen massa op de motor - problemen aan de motor 	<ul style="list-style-type: none"> - controleer de aansluitingen (☛ 3.1) - controleer de massa van de motor - contacteer uw Dealer
<p>27. De snij-inrichtingen worden niet ingeschakeld</p>	<ul style="list-style-type: none"> - riem los - problemen aan de elektromagnetische inschakeling 	<ul style="list-style-type: none"> - stel het bij met de regelaar (☛ 6.3.3) - contacteer uw Dealer
<p>28. Een onregelmatig maaibeeld en onvoldoende opvang van gras</p>	<ul style="list-style-type: none"> - de snijgroep staat niet evenwijdig ten opzichte van het terrein - onwerkzaamheid van de snij-inrichtingen - de rijsnelheid is te hoog ten opzichte van de hoogte van het gras (5.4.5) - het kanaal is verstopt - de snijgroep zit vol met gras 	<ul style="list-style-type: none"> - controleer de bandenspanning (☛ 5.3.2) - herstel de uitlijning van de snijgroep ten opzichte van het terrein (☛ 6.3.2) - controleer de correcte montage van de snij-inrichtingen (☛ 6.3.1) - slijp de snij-inrichtingen bij of vervang ze (☛ 6.3.1) - controleer de riemspanning en de besturingsdraad van de snij-inrichting (☛ 6.3.3) - neem in snelheid af en/of zet de snijgroep in een hogere stand. - wacht tot het gras droog is - verwijder de opvangzak en ledig het uitwerpkanaal (☛ 5.4.7) - reinig de snijgroep (☛ 5.4.11)
<p>29. Vreemde trillingen tijdens het werk</p>	<ul style="list-style-type: none"> - de snij-inrichtingen zijn uit balans - de snij-inrichtingen zijn losgekomen - de bevestigingen zijn losgeraakt 	<ul style="list-style-type: none"> - breng de snij-inrichtingen in balans of vervang ze, indien ze beschadigd zijn (☛ 6.3.1) - controleer de bevestiging van de snij-inrichtingen (☛ 6.3.1) - controleer en draai de bevestigingsschroeven van de motor en het chassis goed vast
<p>30. Als het aandrijfpedaal bediend wordt met een draaiende motor, verplaatst de machine zich niet</p>	<ul style="list-style-type: none"> - ontgrendelingshendel in de «B» stand (☛ 4.24) 	<ul style="list-style-type: none"> - zet terug in stand «A»
<p>31. Moeilijkheden bij het aanschakelen van de hendel «mulching» (☑ modellen HF2417HM• - HF2417HT• HF2625H♦♦)</p>	<ul style="list-style-type: none"> - De hendel beweegt niet (probleem te wijten aan een ophoping van gras in het uitwerpkanaal of in de snijgroep) - het luikje sluit niet correct 	<ul style="list-style-type: none"> - verwijder het materiaal dat zich neergezet heeft in het uitwerpkanaal en in de snijgroep - contacteer de wederverkoper

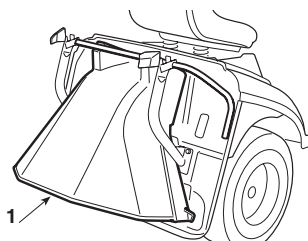
Neem contact op met uw dealer als de problemen aanhouden na het uitvoeren van de hierboven beschreven handelingen.

⚠ LET OP! *Probeer nooit om zelf gecompliceerde reparaties uit te voeren zonder de juiste hulpmiddelen en het nodige technische inzicht. Iedere slecht uitgevoerde reparatie brengt automatisch verval van, zowel de garantie, als de aansprakelijkheid van de Fabrikant teweeg.*

8. OP AANVRAAG LEVERBARE ACCESSOIRES

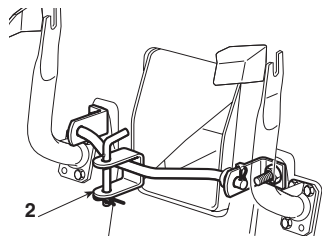
1. KIT BEVEILIGING AFLAAT 80609-VK1-003

Kan in plaats van de opvangzak gebruikt worden als het gras niet opgevangen wordt.



2. KIT AANDRIJVING 80596-VK1-003

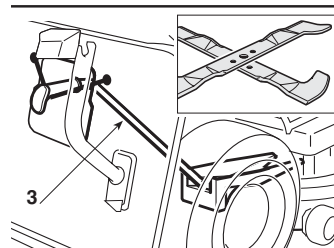
Voor het voorttrekken van een kleine aanhanger.



3. DOP EN SNIJ-INRICHTINGEN VOOR «MULCHING»

HF2317: 80597-VK1-003
HF2417HB: 06805-VK1-A10

Om het gemaaid gras fijn te malen en op het grasveld te laten liggen in plaats van het in de zak op te vangen.



⚠ LET OP! *Voor uw eigen veiligheid is het strikt verboden enig ander accessoire te monteren dan in boven vermelde lijst weergegeven is en nadrukkelijk voor uw model en type machine ontworpen is.*

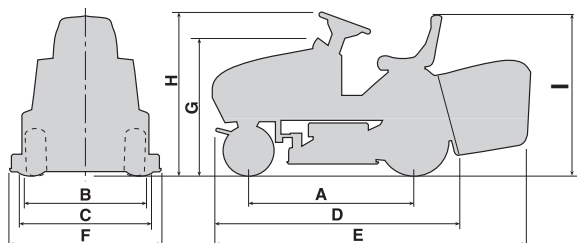
9. TECHNISCHE EIGENSCHAPPEN

MODELLEN	HF2317HME	HF2417HBE	HF2417HME	HF2417HTE	HF2625HME	HF2625HTE
Functie						
Elektrische installatie	12V	12V	12V	12V	12V	12V
Accu	24 Ah	24 Ah	24 Ah	24 Ah	24 Ah	24 Ah
Motor: HONDA type	GCV530	GCV530	GCV530	GCV530	GXV690H	GXV690H
Koelsysteem	Lucht, geforceerde ventilatie					
Aantal en plaatsing cilinders (4-takt)	2 / 90 ° V	2 / 90 ° V	2 / 90 ° V	2 / 90 ° V	2 / 90 ° V	2 / 90 ° V
Plaatsing kleppen	OHC	OHC	OHC	OHC	OHV	OHV
Totale cilinderinhoud	530 cm ³	530 cm ³	530 cm ³	530 cm ³	690 cm ³	690 cm ³
Effectief vermogen van de motor (*)	11,3kW / 3600	11,3 kW / 3600	11,3 kW / 3600	11,3 kW / 3600	16,5 kW / 3600	16,5 kW / 3600
Nominaal vermogen van de motor min ⁻¹	9,7 kW / 2800	9,7 kW / 2800	9,7 kW / 2800	9,7 kW / 2800	13,9 kW / 2800	13,9 kW / 2800
Bedrijfsnelheid	2800 min ⁻¹ (0,-150)	2800 min ⁻¹ (0,-150)	2800 min ⁻¹ (0,-150)	2800 min ⁻¹ (0,-150)	2800 min ⁻¹ (0,-150)	2800 min ⁻¹ (0,-150)
Type brandstof	Benzine zonder lood E10					
Vermogen van de oliebekker	1,1 liter	1,1 liter	1,1 liter	1,1 liter	1,7 liter	1,7 liter
Voorbanden	13 x 5,00-6	15 x 6,00-6	15 x 6,00-6	15 x 6,00-6	15 x 6,00-6	15 x 6,00-6
Achterbanden	18 x 8,50-8	18 x 8,50-8	18 x 8,50-8	18 x 8,50-8	18 x 8,50-8	18 x 8,50-8
Bandenspanning vooraan	1,5 bar	1,0 bar	1,0 bar	1,0 bar	1,0 bar	1,0 bar
Bandenspanning achteraan	1,2 bar	1,2 bar	1,2 bar	1,2 bar	1,2 bar	1,2 bar
Inhoud van de brandstoftank	5,4 liter	5,4 liter	8,5 liter	8,5 liter	8,5 liter	8,5 liter
Massa zonder belasting (zonder olie en brandstof)	221 kg	243 kg	245 kg	256 kg	267 kg	276 kg
Rijsnelheid						
vooruit rijden	0 - 8,2 km/h	0 - 8,2 km/h	0 - 8,2 km/h	0 - 8,2 km/h	0 - 8,2 km/h	0 - 8,2 km/h
achteruit rijden	0 - 4,2 km/h	0 - 4,2 km/h	0 - 4,2 km/h	0 - 4,2 km/h	0 - 4,2 km/h	0 - 4,2 km/h
Minimum straal ongemaaid gras	1,0 m	1,0 m	1,0 m	1,0 m	0,8 m	0,8 m
Maaihogte	29 ÷ 80 mm	29 ÷ 90 mm	29 ÷ 90 mm	29 ÷ 90 mm	29 ÷ 90 mm	29 ÷ 90 mm
Maaibreedte	92 cm	102 cm	102 cm	102 cm	122 cm	122 cm
Vermogen van de opvangzak	280 liter	300 liter	300 liter	300 liter	350 liter	350 liter
De opvangzak inschakelen	handmatig	handmatig	handmatig	elektrisch	handmatig	elektrisch
Afmetingen (mm)						
A	1150	1150	1150	1150	1150	1150
B	835	880	880	880	880	880
C	950	950	950	950	950	950
D	1870	1870	1870	1870	1870	1870
E	2460	2460	2460	2460	2460	2460
F	960	1060	1060	1060	1250	1250
G	980	990	990	990	990	990
H	1100	1120	1120	1120	1120	1120
I	1290	1290	1290	1290	1290	1290
Kooldioxide-uitstoot (CO ₂) (**)	Zie "Lijst met CO ₂ -informatie" op www.honda-engines-eu.com/co2					

(**) CO₂-meting is het resultaat van een test met vaste cyclus in laboratoriumomstandigheden van een (master) motor die het type motor (motorfamilie) vertegenwoordigt en zal niet de prestatiegarantie van een bepaalde motor impliceren of demonstreren.

Maximale waarden voor geluid en trillingen

MODELLEN	HF2317HME	HF2417HBE	HF2417HME	HF2417HTE	HF2625HMEH	HF2625HTEH
Gegarandeerd geluidsniveau (2000/14/CE, 2005/88/CE)	dB(A) 100	100	100	100	105	105
Gemeten niveau van akoestisch vermogen (2000/14/EG, 2005/88/EG)	dB(A) 100	100	100	100	103	103
Meeteonzekerheid	dB(A) 0,67	0,34	0,34	0,34	0,77	0,77
Geluidsdruk oor operator (EN ISO 5395-1:2013 + A1:2018 / EN ISO 5395-3:2013 + A1:2017 + A2:2018)	dB(A) 85	85	85	85	89	89
Meeteonzekerheid	dB(A) 0,72	1,20	1,20	1,20	2,03	2,03
Werkelijke waarde van de versnelling op de stoel (EN ISO 5395-1:2013 + A1:2018 / EN ISO 5395-3:2013 + A1:2017 + A2:2018)	m/sec ² 0,8	0,8	0,8	0,8	0,7	0,7
Meeteonzekerheid	m/sec ² 0,30	0,24	0,24	0,24	0,18	0,18
Werkelijke waarde van de versnelling op het stuur (EN ISO 5395-1:2013 + A1:2018 / EN ISO 5395-3:2013 + A1:2017 + A2:2018)	m/sec ² 2,9	3,3	3,3	3,3	3,5	3,5
Meeteonzekerheid	m/sec ² 1,07	0,93	0,93	0,93	0,97	0,97



(*) De waarde van het vermogen van de motor aangegeven in dit document is het werkelijke geleverde vermogen, getest op een GCV530- en GXV690H-productiemotor, gemeten volgens de SAE J1349-norm bij 3600 tpm. (Effectief vermogen) en bij 2800 min⁻¹. (Netto vermogen). De in serie geproduceerde motoren kunnen verschillende waarden hebben. Het afgegeven vermogen van de op de machine gemonteerde motor kan variëren, afhankelijk van vele factoren, waaronder de snelheid van de motor tijdens het gebruik, de omgevingsomstandigheden, het onderhoud en andere variabelen

10. ALFABETISCHE INHOUDSOPGAVE

Aandrijving			
Voorschriften	1.4		
Accu			
Beschrijving	2.2-7		
Verbinding	3.1		
Langdurige inactiviteit	5.4.13		
Onderhoud en opladen	6.2.3		
Aflaatbeveiliging			
Beschrijving	2.2-5		
Montage op de machine	5.3.5		
Akoestisch signaal			
Functie	4.13-o		
Interventie	5.4.6		
Aux-aansluiting voor USB-accessoires			
Functie	4.10		
Banden			
Bandenspanning	5.3.2		
Reparatie en vervanging	6.4.7		
Bijvullen			
Uitvoeringsmethodes	5.3.3		
Choke			
Functie en gebruik	4.2		
Handrem			
Functie van de hendel	4.5		
Hellingen			
Voorzorgsmaatregelen voor gebruik	5.5		
Inrichting voor het behouden van de snelheid			
Functie en gebruik	4.9		
Koplampen			
Commando inschakeling	4.13-i, 4.13-i.1		
Vervanging lamp	6.4.8		
Motor			
Olie motor	6.4.1		
Filter olie	6.4.2		
Filter lucht	6.4.3		
Filter brandstof	6.4.4		
Bougie	6.4.5		
Mulching			
Hendel inschakeling	4.12		
Functie	5.4.8		
Opvangzak			
Beschrijving	2.2-4		
Commando kanteling	4.11		
Montage op de machine	5.3.5		
Lediging	5.4.6		
Afstelling koppeling	6.3.6		
Onderhoud			
Uitvoeringsmodus	6.1 - 6.2		
Pedalen aandrijving			
Functie van de pedalen	4.22 - 4.23		
Voorwaartse werking	5.4.2		
Achteruit rijden	5.4.4		
Reiniging			
Uitvoeringsmethodes	5.4.11		
Remmen			
Functie van het pedaal	4.21		
Controle werkzaamheid	5.3.4		
Gebruik van de rem	5.4.3		
Afstelling	6.3.4		
Sleutel			
Functie	4.4		
Snelheidsverandering			
Voorwaartse werking	5.4.2		
Achteruit rijden	5.4.4		
Snijgroep			
Beschrijving	2.2-1		
Interne reiniging	5.4.11		
Verwijdering	6.3.1-a		
Uitlijning	6.3.2		
Snij-inrichtingen			
Beschrijving	2.2-2		
Koppeling	4.8		
Demontage en bijslipen	6.3.1-b		
Afstelling van de koppeling	6.3.3		
Snit			
Afstelling hoogte	4.6		
Achteruit maaien	4.7		
Modus voor het maaien	5.4.5		
Einde van het maaien	5.4.9		
Raadgevingen voor het maaien	5.7		
Functie "Mulching"	5.4.8		
Starten			
Procedure voor het opstarten	5.4.1		
Stoel			
Beschrijving	2.2-8		
Afstelling	5.3.1		
Stuur			
Functie	4.1		
Transport			
Uitvoeringsmethodes	5.6		
Uitwerpkanaal			
Beschrijving	2.2-3		
Lediging	5.4.7		
Veiligheid			
Algemene normen	1.1		
Etiketten en pictogrammen	1.3		
Interventie van de inrichtingen	5.2		
Controle werkzaamheid	5.3.6		
Verlichte controlelampjes			
Functie	4.13		
Versnelling			
Functie en gebruik	4.3		
Wiel aandrijving			
Afstelling van de riem	6.3.5		
Wielen			
Vervanging	6.4.6		
Zekering			
Vervanging	6.4.9		

PRESENTACIÓN

Estimado Cliente,

Deseamos ante todo agradecerle por haber preferido nuestros productos y esperamos que el empleo de esta nueva cortadora de césped con conductor sentado le reserve grandes satisfacciones y que responda plenamente a sus expectativas.


El presente manual ha sido redactado para permitirle conocer bien su máquina y para que la pueda utilizar en condiciones de seguridad y eficiencia. No olvide que este manual forma parte integrante de la misma máquina, téngalo a mano para consultarlo en todo momento y entréguelo junto con la máquina el día que desee cederla a otros.


Esta nueva máquina ha sido proyectada y fabricada según las normas vigentes, resultando segura y confiable para el corte y la recolección del césped, conforme a las indicaciones contenidas en este manual (uso previsto). Cualquier otro empleo es considerado como "uso impropio" (☛ 5.1) y comporta el vencimiento de la garantía y la declinación de toda responsabilidad por parte del Fabricante, siendo el usuario responsable por daños o lesiones propias o a terceros.

En caso de que encontrara alguna leve diferencia entre lo descrito en este manual y la máquina en su poder, tenga presente que, dado el continuo mejoramiento del producto, la información contenida en este manual está sujeta a modificaciones sin aviso previo u obligación de actualización, conservándose las características esenciales a fines de la seguridad y del funcionamiento. En caso de dudas, contacte con su Concesionario. ¡Le deseamos buen trabajo!

Servicio de Asistencia

Este manual suministra las indicaciones necesarias para el funcionamiento de la máquina y para un correcto mantenimiento de base que puede ser efectuado por el usuario. Para operaciones no descritas en este manual de instrucciones, contactar con su Concesionario.

 **H F 2** | | | | | | | | | |
Escriba aquí el modelo de su máquina

 **M A** | | | | | | | | | |
Escriba aquí el número de matrícula de su máquina

CÓMO LEER EL MANUAL

En el texto del manual, algunos párrafos que contienen información de especial importancia a fines de seguridad o de funcionamiento están destacados en modo diferente de acuerdo con el siguiente criterio:


NOTA o **IMPORTANTE** ofrece informaciones u otros detalles relativos a lo descrito anteriormente, con la intención de no dañar la máquina o causar daños.

¡ATENCIÓN! Posibilidad de lesiones personales o a terceros en caso de incumplimiento.

¡PELIGRO! Posibilidad de graves lesiones personales o a terceros con peligro de muerte, en caso de incumplimiento.

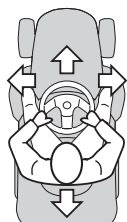
En el manual se describen diversas versiones de máquina, que pueden diferir entre ellas principalmente por:

- tipo de transmisión: con regulación hidrostática continua de la velocidad;
- particulares montajes y/o accesorios.

El símbolo  destaca cada diferencia a fines del uso, seguido por la indicación de la versión a la que se refiere.

El símbolo "☛" remite a otro punto del manual para más aclaraciones o información al respecto.

NOTA Todas las indicaciones "anterior", "posterior", "derecha", "izquierda" se refieren a la posición del operador sentado.



Honda France Manufacturing S.A.S.

Pôle 45 - Rue des Châtaigniers - 45140 ORMES - FRANCE

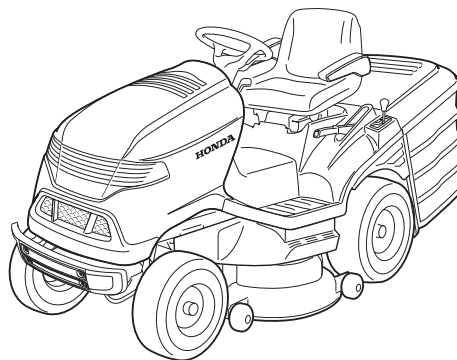
Todos los derechos reservados 12-2019 Imprimido en Italia

HF2315 - HF2417K5 - HF2625

HONDA

TRADUCCIÓN DEL MANUAL ORIGINAL

MANUAL DE INSTRUCCIONES Cortadora de césped con conductor sentado HF2317 • HF2417 • HF2625



ÍNDICE

1. NORMAS DE SEGURIDAD	2
Contiene las normas para usar la máquina en modo seguro	
2. IDENTIFICACIÓN DE LA MÁQUINA Y DE LOS COMPONENTES	5
Explica cómo identificar la máquina y los elementos principales que la componen	
3. DESEMBALAJE Y MONTAJE FINAL	6
Explica cómo quitar el embalaje y completar el montaje de los elementos separados	
4. MANDOS E INSTRUMENTOS DE CONTROL	8
Informa sobre la ubicación y la función de todos los mandos	
5. NORMAS DE USO	12
Contiene todas las indicaciones para trabajar bien y en modo seguro	
5.1 Medidas de seguridad	12
5.2 Criterios de intervención de los dispositivos de seguridad	12
5.3 Operaciones preliminares antes de comenzar el trabajo	13
5.4 Uso de la máquina	14
5.5 Uso de la máquina en pendientes	18
5.6 Posición de transporte	18
5.7 Algunos consejos para efectuar un buen corte de la hierba	18
5.8 Recapitulación de las principales acciones a efectuar en las distintas condiciones.....	19
6. MANTENIMIENTO	19
Contiene la información necesaria para mantener eficiente la máquina	
6.1 Medidas de seguridad	19
6.2 Mantenimiento periódico	20
6.3 Controles y regulaciones	21
6.4 Operaciones de desmontaje y sustitución	24
7. GUÍA PARA LA IDENTIFICACIÓN DE LAS ANOMALÍAS	27
Le ayuda a resolver rápidamente eventuales anomalías	
8. ACCESORIOS POR ENCARGO	29
Se ilustran los accesorios disponibles para particulares exigencias operativas	
9. CARACTERÍSTICAS TÉCNICAS	30
Resumen de las principales características de su máquina	
10. ÍNDICE ALFABÉTICO	31
Indica en dónde se encuentra la información buscada	

LISTA DE LOS PRINCIPALES DISTRIBUIDORES HONDA

"EC Declaration of Conformity"

CONTENT OUTLINE

ESPAÑOL

1. NORMAS DE SEGURIDAD

1.1 NORMAS GENERALES DE SEGURIDAD

⚠ ¡ATENCIÓN! **ANTES DE UTILIZAR LA MÁQUINA, LEER ATENTAMENTE EL PRESENTE MANUAL. Conservar para cualquier futura consulta.**

A) APRENDIZAJE

1) ¡ATENCIÓN! Leer atentamente estas instrucciones antes de utilizar la máquina. Familiarizarse con los mandos y el uso apropiado de la máquina. Aprender a parar rápidamente el motor. El incumplimiento de las advertencias e instrucciones puede causar incendios y/o graves lesiones. Conservar todas las advertencias y las instrucciones para consultar en un futuro.

2) No permita nunca que los niños o personas que no tengan la práctica necesaria con las instrucciones usen la máquina. Las leyes locales pueden fijar una edad mínima para el usuario.

3) No utilice nunca la máquina cuando estén cerca personas, sobre todo niños o animales.

4) No utilice la máquina si el usuario estuviera cansado o se encontrara mal, o hubiese tomado fármacos, drogas, alcohol o sustancias nocivas para sus capacidades de reflejos y atención.

5) Recuerde que el operador o el usuario es el responsable por los accidentes y daños no previstos que pudieran ocasionarse a personas o a sus posesiones. El usuario es responsable de la evaluación de los riesgos potenciales del terreno sobre el cual debe trabajar, así como de tomar todas las precauciones necesarias para garantizar su seguridad y la de terceros, especialmente en pendientes, terrenos accidentados, resbaladizos o inestables.

6) Si se quisiera ceder o prestar la máquina a otras personas, asegúrese de que el usuario haya observado las instrucciones de uso contenidas en el presente manual.

7) No transporte niños u otros pasajeros en la máquina, pues se podrían caer y procurarse lesiones graves o perjudicar una conducción segura.

8) El conductor de la máquina debe efectuar escrupulosamente las instrucciones para la conducción y en particular:

- No distraerse y mantener la necesaria concentración durante el trabajo;
- Tener en cuenta que la pérdida de control de una máquina que resbala por una pendiente no se puede recuperar usando el freno. Las principales causas de pérdida de control son:
 - Falta de adherencia de las ruedas;
 - Velocidad excesiva;
 - Frenado inadecuado;
 - Máquina inadecuada para el uso;
 - Ignorancia de los efectos que pueden derivar de las condiciones del terreno, especialmente en las pendientes;
 - Uso incorrecto como vehículo de arrastre.

9) La máquina está suministrada con una serie de microinterruptores y dispositivos de seguridad que no deben ser alterados o extraídos; esto comportaría el vencimiento de la garantía y eximiría de cualquier responsabilidad al fabricante. Antes de utilizar la máquina, controlar siempre que funcionan los dispositivos de seguridad .

B) OPERACIONES PRELIMINARES

1) Cuando utilice la máquina, usar siempre zapatos de trabajo resistentes, antideslizantes y pantalones largos. No utilice la máquina con los pies descalzos o con sandalias abiertas. No lleve bufandas, camisas, collares, pulseras, ropa con volantes o lazos, corbatas o accesorios colgantes o anchos que puedan engancharse en la máquina o en objetos y materiales presentes en el lugar de trabajo. Recoja el pelo largo. Usar cascos de protección para los oídos.

2) El uso de protecciones acústicas puede reducir la capacidad de percibir posibles advertencias (gritos o alarmas). Prestar máxima atención a lo que sucede alrededor del área de trabajo.

3) Inspeccionar a fondo toda la zona de trabajo y eliminar todo lo que pueda lanzar la máquina o dañar el grupo dispositivo de corte y el

motor (piedras, ramas, alambres, huesos, etc.)

4) **ATENCIÓN: ¡PELIGRO!** La gasolina es altamente inflamable.

- Conserve el carburante en especiales recipientes homologados para dicho uso, en lugares seguros, lejos de fuentes de calor o llamas libres; No deje los contenedores al alcance de los niños.
 - Cargar el combustible utilizando un embudo y sólo al aire libre y no fume durante esta operación ni al manipular el combustible;
 - Cargar el combustible antes de poner en marcha el motor; no se debe añadir combustible ni se debe quitar el tapón del depósito cuando el motor caliente o en funcionamiento;
 - Si saliera gasolina no encienda el motor, aleje la máquina del área en la que se ha vertido el carburante y evite provocar un incendio, espere que el carburante se haya evaporado y que los vapores de gasolina se hayan disuelto;
 - Colocar siempre el tapón del tanque y del depósito de gasolina y apretarlos bien.
 - Evitar inhalar vapores del carburante.
 - Abra lentamente el tapón del depósito dejando salir gradualmente la presión interna.
 - No ponga en funcionamiento la máquina en un lugar donde se haya efectuado dicha operación; el arranque del motor debe efectuarse a una distancia de al menos 3 metros del lugar donde se ha efectuado el llenado del carburante.
 - Evitar el contacto del carburante con la ropa y, en ese caso, cambiarse la ropa antes de poner en marcha el motor.
- 5) Cambiar los silenciadores defectuosos.

6) Antes del uso, proceda con un control general de la máquina y especialmente:

del aspecto del dispositivo de corte y controlar que los tornillos y el grupo de corte no estén desgastados o dañados. Sustituir en bloque dispositivos de corte y los tornillos dañados o desgastados para mantener el balanceo. Las eventuales reparaciones deben realizarse en un centro especializado.

7) Controlar periódicamente el estado de la batería, Sustituirla en caso de daños a su revestimiento, a la tapa o a los bornes.

8) Antes de empezar el trabajo, montar siempre las protecciones a la salida (bolsa de recolección, sistema de seguridad de descarga lateral o de descarga posterior).

C) DURANTE EL USO

1) No accionar el motor en ambientes cerrados donde puedan acumularse humos peligrosos de monóxido de carbono. Las operaciones de puesta en marcha deben efectuarse al aire libre o en lugar bien ventilado. Recuerde siempre que los gases de descarga son tóxicos. Durante el arranque de la máquina no dirija el silenciador ni los gases de descarga hacia materiales inflamables.

2) Trabajar sólo con luz diurna o con una buena luz artificial y en condiciones de buena visibilidad. Mantener a las personas, niños y animales lejos de la zona de trabajo. Los niños deben estar siempre vigilados por un adulto.

3) Evitar trabajar en la hierba mojada, bajo la lluvia y con riesgo de tormentas, especialmente con probabilidad de relámpagos.

4) Antes de poner en marcha el motor, desactivar el dispositivo de corte o la toma de potencia, poner la transmisión en “punto muerto”.

5) Prestar especial atención cuando se acerque a obstáculos que puedan limitar la visibilidad.

6) Introducir el freno de estacionamiento cuando se aparca la máquina.

7) La máquina no debe ser utilizada en pendientes superiores a 10° (17%), independientemente del sentido de la marcha.

8) Recuerde siempre que no existe una pendiente “segura”. Moverse sobre prados con pendientes requiere una atención particular. Para evitar vuelcos o pérdida de control de la máquina:

- No pare o arranque bruscamente en subidas o bajadas;
- Accionar suavemente el embrague y mantener siempre una marcha engranada, especialmente en las bajadas;
- Disminuir la velocidad en pendientes y curvas cerradas;
- Prestar atención a badenes, cunetas y peligros imprevistos;
- No corte nunca en sentido transversal de la pendiente. Los prados en pendiente se deben recorrer en el sentido subida/bajada y ja-

- más en el sentido transversal, prestando especial atención en los cambios de dirección a que las ruedas de arriba no encuentren obstáculos (piedras, ramas, raíces, etc.) que podrían causar deslizamientos laterales, vuelcos o pérdidas de control de la máquina.
- 9) Reducir la velocidad antes de cualquier cambio de dirección sobre terrenos en pendiente e introducir siempre el freno de estacionamiento antes de dejar la máquina parada y sin vigilancia.
- 10) Prestar mucha atención cerca de barrancos, acequias o diques. La máquina puede volcar si una rueda sobrepasa un borde o si el borde cede.
- 11) Prestar la máxima atención cuando se procede y se trabaja marcha atrás. Mirar detrás de uno mismo antes y durante la marcha atrás para asegurarse de que no haya obstáculos.
- 12) Prestar atención cuando se remolquen cargas o cuando se utilicen equipos pesados:
- Para la fijación de las barras de remolque utilizar solo los puntos aprobados;
 - Limitar las cargas sólo a aquellas que puedan ser controladas fácilmente;
 - No cambie la dirección bruscamente. Prestar atención durante la marcha atrás;
 - Utilizar contrapesos o pesos sobre las ruedas cuando lo indique el manual de instrucciones.
- 13) Desactivar el dispositivo de corte o la toma de potencia al atravesar zonas sin hierba, cuando se desplace desde o hacia el área que debe ser cortada y llevar siempre el grupo del dispositivo de corte a la posición más alta.
- 14) Cuando se utiliza la máquina cerca de la carretera, prestar atención al tráfico.
- 15) ¡ATENCIÓN! La máquina no está homologada para circular por calles públicas. Su empleo (según lo establecido en el Código de Circulación) está permitido exclusivamente en áreas privadas cerradas al tránsito.
- 16) No utilice nunca la máquina con protecciones dañadas, ausentes o no posicionadas correctamente (bolsa de recogida, protección de descarga lateral, protección de descarga posterior).
- 17) Mantenga siempre las manos y pies lejos del dispositivo de corte, tanto durante el arranque como durante el uso de la máquina. Atención: el elemento de corte sigue girando durante unos segundos también después de su desactivación o después del apagado del motor. Mantenerse siempre lejos de la abertura de descarga.
- 18) No deje la máquina parada en la hierba alta con el motor en marcha para prevenir el riesgo de provocar incendios.
- 19) Cuando se utilicen los accesorios, no dirija nunca la descarga hacia las personas.
- 20) Utilizar solo los accesorios aprobados por el fabricante de la máquina.
- 21) No utilice la máquina si los accesorio/herramientas no están instalados en los puntos previstos.
- 22) Prestar atención cuando se utilicen bolsas de recolección y accesorios que puedan alterar la estabilidad de la máquina, en particular en las pendientes.
- 23) No modifique las regulaciones del motor y no deje que alcance un régimen de revoluciones excesivo.
- 24) No toque los componentes del motor que se calientan durante el uso. Riesgo de quemaduras.
- 25) Desactivar el dispositivo de corte o la toma de potencia, poner en punto muerto e introducir el freno de estacionamiento, parar el motor y quitar la llave (asegurándose de que todas las partes en movimiento se hayan parado completamente):
- Cada vez que se deje la máquina sin vigilancia o se abandone el puesto de conducción:
 - Antes de retirar las causas de bloqueo o desatascar el transportador de descarga;
 - Antes de controlar, limpiar o trabajar con la máquina;
 - Después de golpear un cuerpo extraño. Verificar los posibles daños y efectuar las reparaciones necesarias antes de usar nuevamente la máquina.
- 26) Desactivar el dispositivo de corte, parar el motor o la toma de potencia y parar el motor (asegurándose de que todas las partes en movimiento se hayan parado completamente):

- Antes de cargar combustible;
 - Cada vez que se retira o se coloca la bolsa de recolección;
 - Cada vez que se quita o se vuelve a montar el deflector de descarga.
 - Antes de regular la altura de corte si esta operación no puede ser efectuada desde el puesto del conductor.
- 27) Desactivar el dispositivo de corte o la toma de potencia durante el transporte y cada vez que no se usan.
- 28) Disminuir la velocidad antes de parar el motor. Cerrar la alimentación del combustible al finalizar el trabajo siguiendo las instrucciones del manual.
- 29) Prestar atención al grupo dispositivos de corte con más de un dispositivo de corte, pues un dispositivo de corte en rotación puede determinar la rotación de los demás.
- 30) No desconectar, desactivar, quitar ni manipular los sistemas de seguridad/microinterruptores presentes.
- 31) ATENCIÓN – En el caso de roturas o accidentes durante el trabajo, parar inmediatamente el motor, alejar la máquina para no provocar otros daños; en el caso de accidentes con lesiones personales o a terceros, activar inmediatamente los procedimientos de primeros auxilios más adecuados para la situación e ir a un Centro de salud para recibir atención. Retirar cuidadosamente los residuos que podrían causar daños o lesiones a personas o animales si no se les advirtiera.
- 32) ATENCIÓN – El nivel de ruido y de vibraciones indicado en estas instrucciones, son valores máximos de uso de la máquina. El uso de un dispositivo de corte desajustado, la excesiva velocidad de movimiento y la ausencia de mantenimiento influyen de manera significativa en las emisiones sonoras y en las vibraciones. Como consecuencia es necesario adoptar medidas preventivas apropiadas para eliminar posibles daños debidos a un ruido elevado y a los esfuerzos por vibraciones; llevar a cabo el mantenimiento de la máquina, usar auriculares anti-ruido, realizar pausas durante el trabajo.
- 33) No utilizar accesorios USB durante el corte de la hierba ni durante la conducción

D) MANTENIMIENTO Y ALMACENAMIENTO

- 1) ¡ATENCIÓN! – Quitar la llave y leer las relativas instrucciones antes de efectuar cualquier operación de limpieza o mantenimiento. Llevar ropa adecuada y guantes de trabajo en todas las situaciones de riesgo para las manos.
- 2) ¡ATENCIÓN! – No utilice jamás la máquina con piezas desgastadas o dañadas. Las piezas averiadas o deterioradas deben ser sustituidas y jamás reparadas. Utilizar exclusivamente repuestos originales: el uso de recambios no originales y/o no montados correctamente pone en peligro la seguridad de la máquina, puede causar accidentes o lesiones personales y exime al Fabricante de toda obligación y responsabilidad.
- 3) Todas las intervenciones de mantenimiento y regulación no descritas en este manual deben efectuarse en su Distribuidor o en un Centro especializado, que dispone de conocimientos y herramientas necesarias para que el trabajo se efectúe correctamente, manteniendo el grado de seguridad original de la máquina. Operaciones efectuadas en estructuras inadecuadas o por personas no cualificadas conllevan el vencimiento de toda forma de Garantía y de toda obligación o responsabilidad del Fabricante.
- 4) Después de cada uso, extraer la llave y controle eventuales daños.
- 5) Mantener bien apretados tuercas y tornillos para garantizar que la máquina esté siempre en condiciones seguras de funcionamiento. Un mantenimiento regular es esencial para la seguridad y para conservar el nivel de las prestaciones.
- 6) Controlar regularmente que los tornillos del dispositivo de corte estén apretados correctamente.
- 7) Usar guantes de trabajo para manejar los dispositivos de corte, para desmontarlos y volver a montarlos.
- 8) Al afilar los dispositivos de corte prestar atención para que queden equilibrados. Todas las operaciones relacionadas con los dispositivos de corte (desmontaje, afilado, equilibrado, remontado y/o sustitución) son tareas que requieren una competencia específica y el empleo de equipos especiales; por razones de seguridad, es

necesario efectuarlas en un centro especializado.

9) Controlar regularmente el funcionamiento de los frenos. Es importante efectuar el mantenimiento de los frenos y, si fuera necesario, arreglarlos.

10) Controlar frecuentemente el sistema de seguridad de descarga lateral, o el sistema de seguridad de descarga, la bolsa de recolección y la rejilla de aspiración. Sustituirlos si están dañados.

11) Sustituir los adhesivos que indican instrucciones y mensajes de advertencia, si estuvieran dañados.

12) Cuando haya que guardar la máquina o dejarla sin vigilancia, bajar el grupo dispositivos de corte.

13) Guardar la máquina en un lugar inaccesible a los niños.

14) No coloque la máquina con gasolina en el depósito en un local donde los vapores de gasolina pudieran alcanzar una llama, una chispa o una fuerte fuente de calor.

15) Deje enfriar el motor antes de almacenar la máquina en cualquier ambiente.

16) Para reducir el riesgo de incendio mantener el motor, el silenciador de escape, el alojamiento de la batería y la zona de almacenamiento de la gasolina libres de residuos de hierba, hojas o grasa excesiva. Vacíe la bolsa de recolección y no deje los contenedores con la hierba cortada en el interior de un local.

17) Para reducir el riesgo de incendios, controlar regularmente que no haya pérdidas de aceite y/o carburante.

18) Si hay que vaciar el depósito de la gasolina, efectúe esta operación al aire libre y con el motor frío.

19) No deje nunca las llaves introducidas o al alcance de los niños o personas no idóneas. Quitar la llave antes de empezar cualquier intervención de mantenimiento.

20) Durante las operaciones de regulación de la máquina, prestar mucha atención para evitar que queden atrapados los dedos entre el dispositivo de corte y las partes fijas de la máquina.

E) TRANSPORTE

1) ¡ATENCIÓN! - Si la máquina debe ser transportada en un camión o en un remolque, utilizar rampas de acceso con resistencia, anchura y longitud adecuadas. Cargar la máquina con el motor apagado, sin conductor y únicamente por empuje, usando un adecuado número de personas. Durante las operaciones de transporte, bajar el grupo dispositivos de corte o el accesorio, engranar el freno de estacionamiento, colocarla de manera que no sea un peligro para nadie y bloquearla firmemente al medio de transporte mediante cables o cadenas para evitar el vuelco con posible daño o pérdida de carburante.

F) TUTELA DEL MEDIO AMBIENTE

1) La protección del ambiente debe ser un aspecto relevante y prioritario en el uso de la máquina, a beneficio de la convivencia civil y del ambiente en el que vivimos. Evitar causar molestias a los vecinos.

2) Siga escrupulosamente las normas locales para la eliminación de embalajes, aceites, gasolina, filtros, partes deterioradas o cualquier elemento de fuerte impacto ambiental; estos residuos deben separarse y entregarse a los especiales centros de recogida que proveerán al reciclaje de los materiales

3) Respetar escrupulosamente las normas locales sobre la eliminación de los materiales después del corte.

4) En el momento de la puesta fuera de servicio, no abandone la máquina en el ambiente, deberá contactar un centro de recogida, según las normas locales vigentes.

1.2 DESCRIPCIÓN DE LA MÁQUINA Y ÁMBITO DE APLICACIÓN

Esta máquina es un equipo de jardinería, exactamente una cortadora de pasto con conductor sentado.

La máquina está provista de un motor, que acciona el dispositivo de corte, protegido por un cárter, así como por un grupo de transmisión

que facilita el movimiento de la máquina.

El operador es capaz de conducir la máquina y de accionar los mandos principales manteniéndose siempre sentado en el puesto de conducción.

Los dispositivos montados en la máquina prevén la parada del motor y del dispositivo de corte en unos segundos, en el caso de que las acciones del operador no estuvieran conformes con las condiciones de seguridad previstas.

Uso previsto

Esta máquina ha sido proyectada y fabricada para el corte de la hierba.

La utilización de accesorios especiales, previstos por el Fabricante como equipamiento original o adquirible de manera separada, permite efectuar este trabajo según varias modalidades operativas, ilustradas en este manual o en las instrucciones que acompañan a cada accesorio.

Del mismo modo, la posibilidad de aplicar accesorios suplementarios (si son previstos por el Fabricante) puede ampliar el uso previsto a otras funciones, según los límites y las condiciones indicadas en las instrucciones que acompañan a los propios equipos.

Tipología de usuario

Esta máquina está destinada para el uso por parte de consumidores, es decir, operadores no profesionales, como primera experiencia de uso y/o inexpertos. Esta máquina está destinada para un "uso semi-profesional".

Uso inadecuado

Cualquier otro tipo de uso, no conforme con aquellos indicados anteriormente, puede ser peligroso y causar daños a personas y/o cosas. Es inapropiado (ejemplos son excluyentes):

- transportar en la máquina o en un remolque a otras personas, niños o animales;
- remolcar o empujar cargas sin el uso del accesorio apropiado previsto para el remolque;
- utilizar la máquina para el paso en terrenos inestables, resbaladizos, helados, con piedras o irregulares, charcos o pantanos que no permitan la valoración de la consistencia del terreno;
- accionar el dispositivo de corte en los tramos sin hierba;
- usar la máquina para recoger hojas o residuos.

El uso impropio de la máquina comporta la invalidación de la garantía y que el Fabricante decline toda responsabilidad, corriendo a cargo del usuario todos los gastos derivados de daños o lesiones propias o a terceros.

1.3 ETIQUETAS DE SEGURIDAD

La máquina debe ser utilizada con prudencia. Para recordárselo, han sido puestas sobre la máquina etiquetas que representan pictogramas que indican las principales precauciones de uso. Estas etiquetas están consideradas como parte integrante de la máquina. Si una etiqueta se despega o se vuelve ilegible, contacte con su Distribuidor para sustituirla. El significado se explica a continuación.



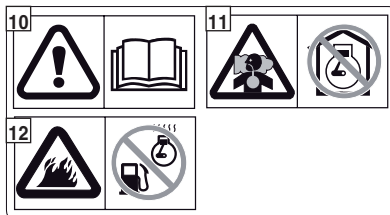
- 1 = **Atención:** Leer las instrucciones antes de utilizar la máquina.
- 2 = **Atención:** Quitar la llave y leer las instrucciones antes de efectuar cualquier operación de mantenimiento o reparación.
- 3 = **¡Peligro! Expulsión de objetos:** No trabaje sin haber montado el sistema de seguridad de descarga posterior o la bolsa de recolección.
- 4 = **¡Peligro! Expulsión de objetos:** Mantener lejos a las personas.
- 5 = **¡Peligro! Volcado de la máquina:** No utilice esta máquina en pendientes superiores a 10°.
- 6 = **¡Peligro! Mutilaciones:** Asegurarse que los niños permanezcan lejos de la máquina cuando el motor esté en marcha.
- 6a = No suba en la máquina pisando las protecciones del grupo dispositivos de corte.



7 = **Riesgo de cortes.** Dispositivo de corte en movimiento. No introducir las manos o los pies en el interior del alojamiento de los dispositivos de corte.

8 = **Atención:**

9 = **Evitar lesiones por desplazamiento de las correas:** No accione la máquina sin las protecciones montadas. Manténgase lejos de las correas.



10 = **Atención:** Leer las instrucciones antes de utilizar la máquina.

11 = **Atención:** El motor libera monóxido de carbono, que es un gas tóxico y venenoso. No accionar en un lugar cerrado.

12 = **¡Atención!** La gasolina es extremadamente inflamable y explosiva. Apagar el motor y dejarlo enfriar antes de efectuar el llenado de carburante.



13 = **Atención:** Durante el funcionamiento, el silenciador se calienta mucho y se mantiene así durante un cierto tiempo incluso después de parar el motor.



14 = **Producto reciclable.** Contiene plomo. Evitar su liberación al medio ambiente y eliminar según las normativas vigentes.



15 = **Vapores inflamables** - No acercar llamas libres.

16 = Usar gafas de protección.

17 = Mantener alejado del alcance de los niños.

18 = **Líquido corrosivo.** En caso de contacto, lavar inmediatamente con agua y consultar con un médico.

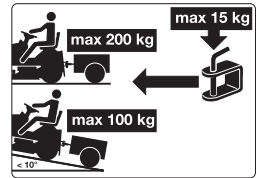
19 = Leer atentamente las instrucciones de uso.

20 = Riesgo de expulsión.

1.4 INSTRUCCIONES PARA EL USO REMOLQUE

Por encargo, está disponible un kit para permitir el tiro de un pequeño remolque, este accesorio se debe montar de acuerdo con las instrucciones suministradas.

Cuando utilice el remolque no supere los límites indicados en la etiqueta y respete las normas de seguridad, (ver 1.2, C-6).



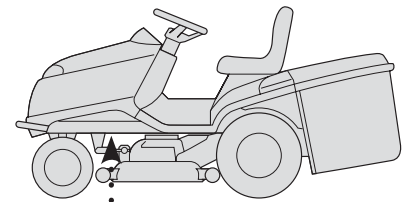
Peso total remolcable: en plano: 200 kg o menos

con pendiente (10° o menos): 100 kg o menos

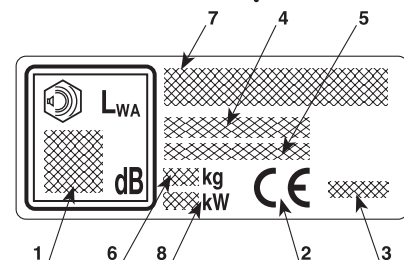
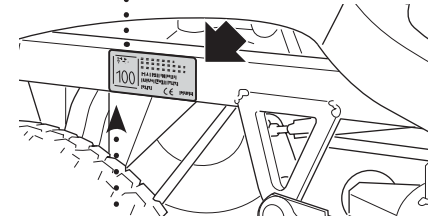
2. IDENTIFICACIÓN DE LA MÁQUINA Y DE LOS COMPONENTES

2.1 IDENTIFICACION DE LA MÁQUINA

La etiqueta de identificación, situada en el lado izquierdo del bastidor, contiene los datos principales de cada máquina.



El número de matrícula (5) es indispensable para cualquier pedido de intervención técnica y para el pedido de los repuestos.



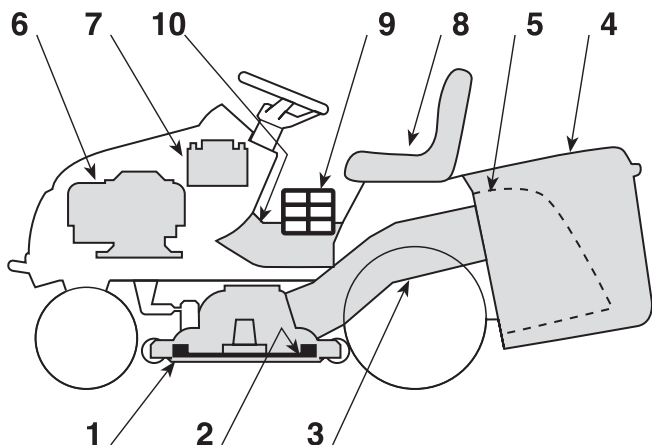
1. Nivel de potencia acústica según las directivas 2000/14/CE, 2005/88/CE
2. Marca de conformidad según las directivas 2006/42/CE, 2005/88/CE, 2014/30/EU
3. Año de fabricación
4. Tipo de máquina
5. Número de matrícula
6. Peso en kg (con depósito vacío)
7. El nombre y la dirección del Fabricante están indicados en la "EC Declaration of Conformity" – CONTENT OUTLINE contenida en este Manual de Instrucciones.
8. Potencia nominal del motor (a 2800 min⁻¹)

CÓMO RECONOCER SU MÁQUINA

En este manual se describen las operaciones de preparación, uso y mantenimiento de una gama de máquinas que presentan algunas diferencias entre ellas; por tanto, es importante que identifiquen con precisión el modelo de su máquina para poder seguir toda la información relativa al mismo.

El modelo de su máquina está indicado en la "etiqueta de identificación" en el punto 4 y está compuesto por una serie de letras y números.

En las siguientes páginas de este manual, cada operación relativa a uno o varios modelos específicos, está marcada al principio con la indicación de los modelos a los que se aplica; en caso de que no aparezca ninguna indicación, dicha descripción se considera válida para todos los modelos.



2.2 IDENTIFICACIÓN DE LOS COMPONENTES PRINCIPALES

La máquina está formada por algunos componentes principales, que desempeñan las siguientes funciones:

- Grupo dispositivos de corte:** es el cárter que comprende los dispositivos de corte giratorios.
- Dispositivos de corte:** son los elementos predispuestos para el corte de la hierba; las aletas colocadas en los extremos favorecen el transporte de la hierba cortada hacia el canal de expulsión.
- Canal de expulsión:** es el elemento de conexión entre el grupo dispositivos de corte y la bolsa de recolección.
- Bolsa de recolección:** además de la función de recolección de la hierba cortada, constituye un elemento de seguridad, impidiendo que eventuales objetos recogidos por los dispositivos de corte puedan ser lanzados lejos de la máquina.
- Sistema de seguridad de descarga posterior (disponible por encargo):** montada en lugar de la bolsa de recolección, impide que eventuales objetos recogidos por los dispositivos de corte puedan ser lanzados lejos de la máquina.
- Motor:** suministra el movimiento ya sea de los dispositivos de corte como a la tracción a las ruedas;
- Batería:** suministra la energía para el arranque del motor; sus características y normas de uso se describen en un manual de instrucciones específico.
- Asiento del conductor:** es el puesto de trabajo del operador y está dotado de un sensor que detecta su presencia de modo que permita la intervención de los dispositivos de seguridad.
- Etiquetas de prescripciones y seguridad:** recuerdan las principales disposiciones para trabajar en condiciones de seguridad y su significado está explicado en el cap. 1.
- Portezuela para inspección:** para acceder a algunas regulaciones.

3. DESEMBALAJE Y MONTAJE FINAL

Por motivos de almacenamiento y transporte, algunos componentes de la máquina no se ensamblan en fábrica, sino que se deben montar después de la remoción del embalaje, siguiendo las instrucciones descritas a continuación.

¡ATENCIÓN! *El desembalaje y el cumplimiento del montaje deben ser efectuados sobre una superficie plana y sólida, con espacio suficiente para el desplazamiento de la máquina y de los embalajes, utilizando siempre herramientas apropiadas. No utilice la máquina antes de haber seguido todas las indicaciones de la sección "MONTAJE".*

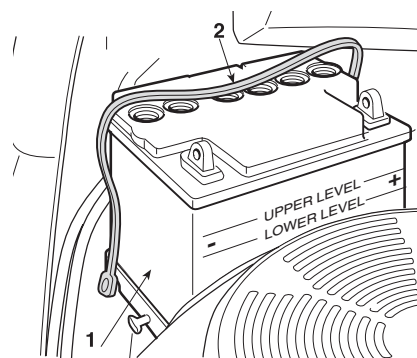
3.1 ACTIVACIÓN Y CONEXIÓN DE LA BATERÍA

IMPORTANTE ¡BATERÍA DE CARGA SECA!

La batería (1) está instalada detrás del motor y sujeta por un tirante elástico (2).

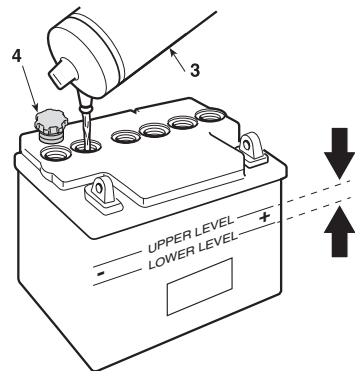
Desenganchar el tirante elástico (2) y extraer la batería.

Retirar el precinto y verter la solución electrolítica (3) (Ácido sulfúrico diluido no suministrado: peso específico 1,280) distribuyéndola uniformemente entre los seis elementos, hasta alcanzar el nivel de referencia "UPPER LEVEL" marcado en la batería.



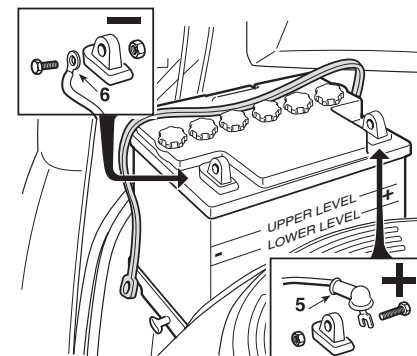
IMPORTANTE *En el momento del llenado, la solución electrolítica no debe superar los 30 °C/86 °F.*

Dejar la batería en posición de reposo durante al menos media hora después del llenado. El nivel de la solución electrolítica deberá disminuir. Verter una vez más la solución electrolítica hasta el nivel de referencia "UPPER LEVEL".



El nivel debe encontrarse siempre entre las referencias "UPPER LEVEL" y "LOWER LEVEL" situadas en la batería.

Colocar y enroscar los seis tapones (4) suministrados y proveer a la carga de la batería.



IMPORTANTE *Después de haber activado a batería, proveer con la carga completa, dirigiéndose a su Concesionario, que dispone de los equipos adecuados. El cargador de baterías suministrado NO puede efectuar la primera recarga después de la activación.*

Efectuar la conexión del cable rojo (5) al polo positivo (+) y del cable negro (6) al polo negativo (-) utilizando los tornillos suministrados como se indica. Repartir la grasa de silicona en los bornes y coloque correctamente el capuchón del cable rojo (5).

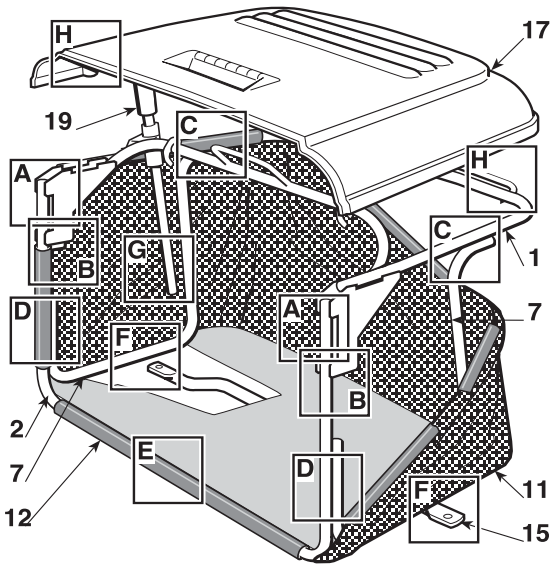
IMPORTANTE Para evitar la intervención de la protección de la tarjeta electrónica, es absolutamente necesario evitar de poner en marcha el motor antes de ejecutar la recarga completa!

¡ATENCIÓN! El ácido de la batería es corrosivo y contaminante. Usar guantes protectores para la manipulación y llevar a cabo la eliminación de producto necesaria respetando las normativas vigentes.

IMPORTANTE Utilizar SOLO la batería específica mod. CNB 31500-VK1-810-M1.

3.2 MONTAJE DE LA BOLSA DE RECOLECCIÓN

A) Unir la parte superior del bastidor (1) al elemento anterior (2),



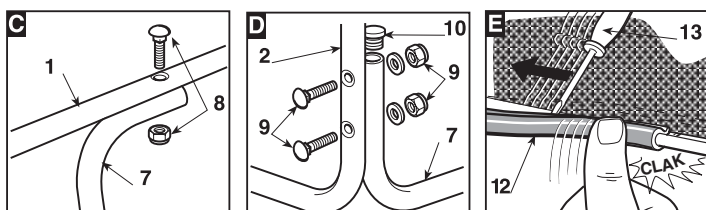
utilizando los tornillos y las tuercas (3) como se indica. Introducir los dos tapones de goma (4) en los orificios del bastidor anterior (2).

HF2...HT

B) Antes de bloquear a fondo las tuercas (3), introducir entre las placas del bastidor superior (1) los dos soportes (5), con los rodillos dirigidos hacia el interior (6); después, bloquear a fondo las tuercas (3).

C-D) Montar los dos elementos laterales (7), utilizando los tornillos y las tuercas (8 y 9) como se muestra. Introducir los dos tapones de goma (10) en los orificios de los dos elementos laterales (7)

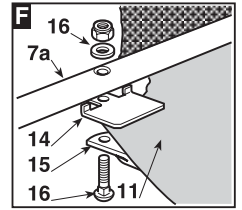
E) Introducir el bastidor así montado en la envoltura de tela (11) procurando colocarlo correctamente a lo largo del perímetro de base. Enganchar todos los perfiles de plástico (12) en los tubos del



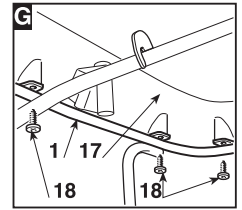
bastidor con la ayuda de un destornillador (13).

HF2...HB **HF2...HM**

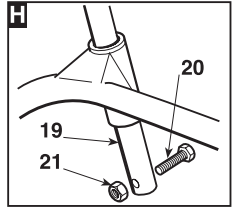
F) Insertar la placa (14) entre la tela y la parte inferior del elemento lateral derecho (7a) del bastidor, haciendo coincidir los orificios.



F) Instalar el soporte de refuerzo (15) debajo del bastidor, utilizando los tornillos y las tuercas (16), manteniendo la parte plana dirigida hacia la tela.

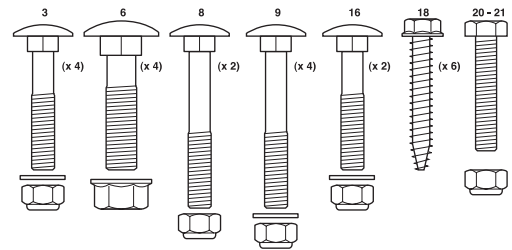


G) Montar la cubierta (17), fijándola a la parte superior del bastidor (1) utilizando seis tornillos (18).



H) Introducir la palanca de vaciado (19) en su alojamiento y montar el tornillo de parada (20) con relativa tuerca (21).

3.3 MONTAJE DE LOS SOPORTES DE LA BOLSA DE RECO-



LECCIÓN

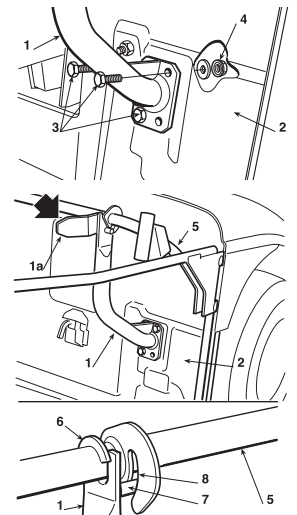
Montar los dos soportes (1) en la plancha posterior (2) utilizando para cada soporte los tres tornillos suministrados (3), como se indica, sin bloquear las relativas tuercas (4).

Los soportes (1) deben montarse de forma que las aletas (1a) queden dirigidas hacia el interior.

Enganchar en los soportes la parte superior (5) del bastidor de la bolsa de recolección y centrarlo respecto a la plancha posterior (2).

Ajustar la posición de ambos soportes (1) respecto al tope (6) de manera que girando el bastidor de la bolsa de recolección, el perno (7) se inserte correctamente en el alojamiento (8).

Comprobar otra vez que el bastidor (5) se encuentre bien centrado respecto a la plancha posterior (2) y que el movimiento de rotación se produzca correctamente, como arriba indicado, luego apretar a fondo los tornillos (3) y las tuercas (4) de fijación.



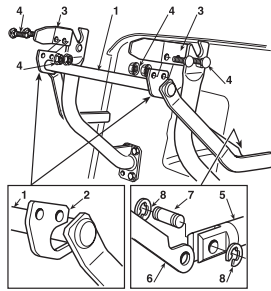
3.4 MONTAJE DE LAS PALANCAS DE VUELCO DE LA BOLSA DE RECOLECCIÓN



Colocar el eje de las palancas (1) en la ranura de las dos placas (2) y fijarlas en el interior de los soportes de la bolsa de recolección (3), utilizando los tornillos y las tuercas (4) suministradas en la secuencia indicada en la figura.

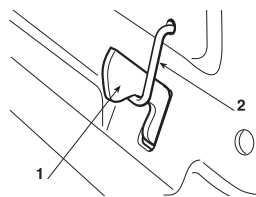
Unir la extremidad de la varilla (5) del pistón de elevación a la palanca (6) a través del perno (7) y montar los dos anillos elásticos (8).

Antes de montar la bolsa de recolección en los soportes, asegurarse de que el movimiento de las palancas de vuelco se efectúe regularmente.

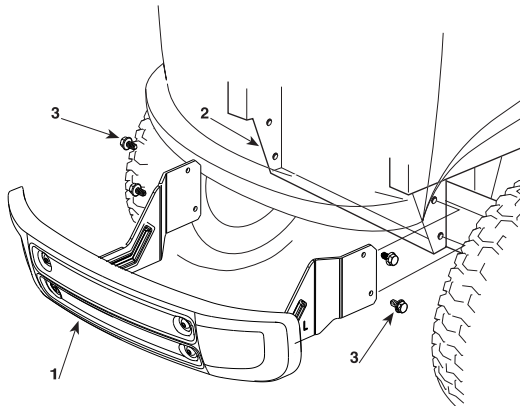


3.5 REMOCIÓN DEL RETÉN DEL FIADOR DE ENGANCHE DE LA BOLSA DE RECOLECCIÓN

Por motivos de transporte, el fiador (1) de enganche de la bolsa de recolección está fijado en la plancha posterior mediante el retén (2). Este retén se debe remover antes de proceder con el montaje de los soportes de la bolsa y no se deberá utilizar más.

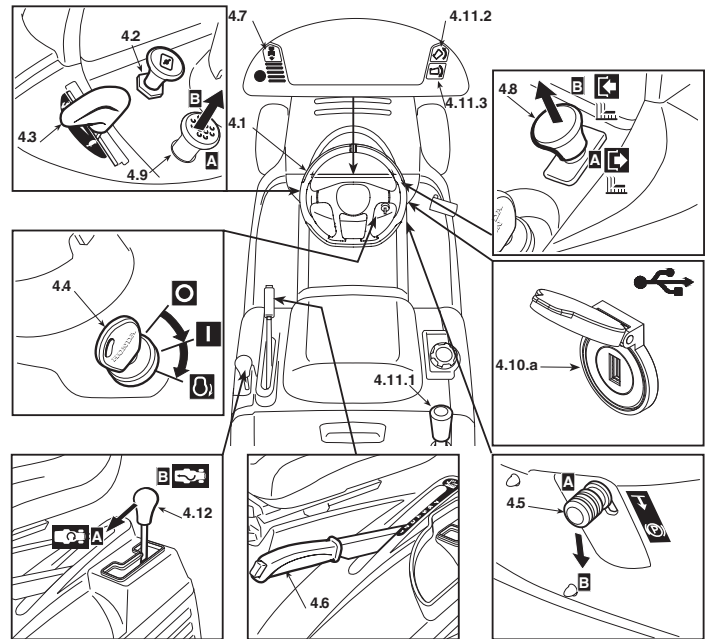


3.6 MONTAJE DEL PARACHOQUES DELANTERO



Montar el parachoques (1) en la parte inferior del armazón (2) utilizando los cuatro tornillos (3).

4. MANDOS E INSTRUMENTOS DE CONTROL



4.1 VOLANTE DE CONDUCCIÓN

Controla la dirección de las ruedas anteriores.

4.2 MANDO CHOKE

Se utiliza para el encendido del motor en frío. Produce un enriquecimiento de la mezcla y se debe utilizar sólo por el tiempo estrictamente necesario en caso de arranque en frío.

4.3 PALANCA DEL ACELERADOR

Regula la velocidad del motor. Las posiciones, indicadas en la placa, corresponden a:

«LENTO» régimen mínimo del motor

«RÁPIDO» régimen máximo del motor

– Durante el avance elegir una posición intermedia entre «LENTO» y «RÁPIDO».

– Durante el corte de la hierba es oportuno llevar la palanca a «RÁPIDO».

4.4 CONMUTADOR DE LLAVE

Este conmutador de llave tiene tres posiciones que corresponden a:

«PARADA» todo apagado;

«MARCHA» todos los servicios activados;

«ARRANQUE» Activa el motor de arranque y el motor se pone en marcha.

Soltando la llave de la posición «ARRANQUE», la misma regresa automáticamente a la posición «MARCHA».

4.5 PALANCA DEL FRENO DE ESTACIONAMIENTO

El freno de estacionamiento impide que la máquina se mueva después de haberla estacionado. La palanca presenta dos posiciones que corresponde a:

↓ «A» = Freno desengranado

Ⓟ «B» = Freno engranado

- Para engranar el freno apretar a fondo el pedal (4.21) y llevar la palanca a la posición “B”. Al levantar el pie del pedal, éste permanece bajado y bloqueado en tal posición.
- La condición de “Freno introducido” la indica el encendido del indicador luminoso (4.13.e).
- Para desengranar el freno de estacionamiento, apretar nuevamente el pedal (4.21) y llevar la palanca otra vez a la posición «A».

4.6 PALANCA DE REGULACIÓN DE LA ALTURA DE CORTE

Mediante esta palanca se efectúa la elevación y el descenso del grupo dispositivos de corte que puede ser posicionado a 7 diferentes alturas de corte.

1

7



Las siete posiciones están indicadas de «1» a «7» en la relativa placa, y corresponden al mismo número de alturas de corte cuyos valores se muestran en la tabla "Características técnicas" (☛ cap. 10).

- Para pasar de una posición a otra es necesario apretar el botón de desbloqueo colocado en el extremo.

4.7 PULSADOR DE HABILITACIÓN CORTE CON MARCHA ATRÁS



Manteniendo presionado el pulsador, es posible retroceder con los dispositivos de corte acoplados, sin provocar la parada del motor.

4.8 MANDO DE ENGRANAJE Y FRENO DE LOS DISPOSITIVOS DE CORTE

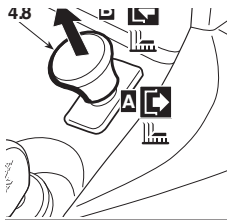
Este mando permite el acoplamiento de los dispositivos de corte mediante un embrague electromagnético:



➡ «A» Presionado
= Dispositivos de corte desacoplados



⬅ «B» Tirado
Dispositivos de corte activados



- La condición de “Dispositivos de corte acoplados” está indicada por el encendido del indicador luminoso (☛ 4.13.g).
- Si los dispositivos de corte están activados sin respetar las condiciones de seguridad previstas, el motor se apaga o no se puede arrancar (☛ 5.2).
- Desactivando los dispositivos de corte (Pos. «A»), se acciona contemporáneamente un freno que detiene la rotación durante algunos segundos.
- La introducción de los dispositivos de corte en marcha atrás es posible solo presionando el pulsador 4.7.

4.9 DISPOSITIVO DE MANTENIMIENTO DE LA VELOCIDAD (CRUISE CONTROL)



HF2417HM•

HF2417HT•

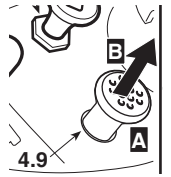
HF2625H♦

Este dispositivo permite mantener la velocidad deseada en marcha adelante, sin que sea necesario mantener pulsado el pedal (4.22).

El mando tipo hongo tiene dos posiciones:



1. «A» = Presionado. Dispositivo desacoplado (desactivado)
2. «B» = Tirado. Dispositivo activado (activo)



- Activando el dispositivo mientras se procede en marcha adelante, la máquina mantiene la velocidad alcanzada en ese momento, sin necesidad de accionar el pedal (4.22).
- En marcha atrás, no es posible activar el dispositivo.
- Con el dispositivo activado, no es posible accionar el pedal de marcha atrás (fig. 4.23).
- En los tramos en subida o en bajada, la velocidad puede variar con respecto a la programada en llano.

Para desactivar el dispositivo y restablecer el mando de la velocidad de avance por medio del pedal (4.22) es suficiente

- presionar el pedal (4:22)

o

- apretar el pedal del freno (4.21).

En ambos casos, el mando tipo hongo vuelve automáticamente a la posición «Presionado».

4.10 TOMA AUXILIAR PARA ACCESORIOS USB



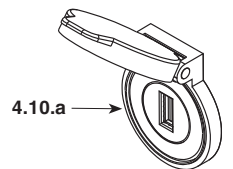
HF2417HM•

HF2417HT•

HF2625H♦

Con esta toma se pueden cargar los dispositivos USB. Su única función es recargar.

La toma no establece comunicación con el dispositivo USB conectado.



La toma está bajo tensión solo cuando la llave (4.4) está en posición «MARCHA».

Cargar el dispositivo USB con el motor en funcionamiento, de lo contrario la batería se descarga.

No cargar el accesorio USB en condiciones de lluvia o humedad. La recarga en dichas condiciones comporta la invalidación de la garantía y exime al fabricante de cualquier responsabilidad en caso de problemas.

No abrir el tapón de la toma USB en condiciones de lluvia o zonas con polvo.

No utilizar ningún aparato durante el desplazamiento o durante las operaciones de corte.

Antes de conectar el aparato a la toma auxiliar, asegurarse de que se hayan guardado todos los datos contenidos en él. Si durante el uso del puerto USB se borrara algún dato, el fabricante no se hará responsable.

4.10.1 PUERTO ACCESORIO USB

▶ **HF2417HM• HF2417HT• HF2625H•**

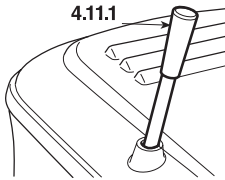
Soporte para apoyar el accesorio USB.



4.11 MANDO DE VOLCADO BOLSA DE RECOLECCIÓN

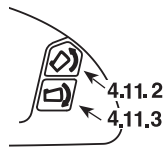
▶ **HF2...HB• HF2...HM•**

El vuelco de la bolsa de recolección para el vaciado se efectúa mediante la palanca (4.11.1), extraíble desde su asiento.



▶ **HF2...HT•**

El vuelco de la bolsa de recolección para el vaciado se produce pulsando el botón (4.11.2), manteniéndolo pulsado hasta que la bolsa alcance su posición más alta (5.4.6).



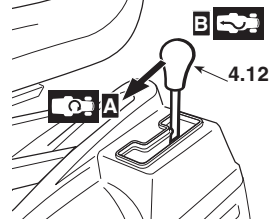
La bolsa de recolección vuelve a la posición de trabajo presionando el pulsador (4.11.3), manteniéndolo presionado hasta el enganche del fiador y la parada del motor de arranque.

4.12 PALANCA DE ACTIVACIÓN «MULCHING»

▶ **HF2417HM• HF2417HT• HF2625H•**

Mediante la palanca, se activa la función «mulching».

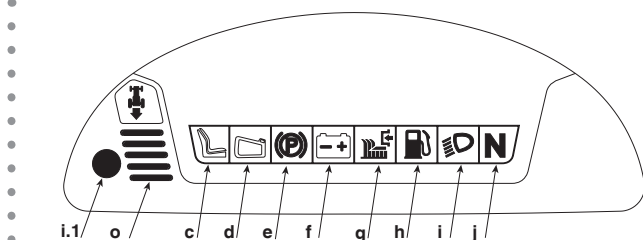
«A» = función activada
«B» = función desactivada



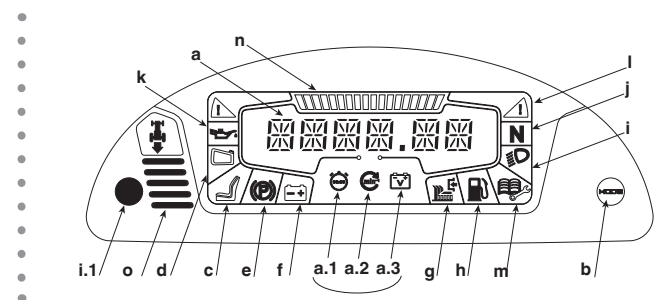
- El accionamiento de la palanca debe efectuarse con el dispositivo de corte desacoplado.
- Con la función "mulching" activada, es necesario que estén siempre montadas las protecciones en la salida (bolsa de recolección o protección de descarga) (5.3.5).

4.13 INDICADORES LUMINOSOS Y DISPOSITIVOS DE SEÑALIZACIÓN ACÚSTICA EN EL TABLERO DE CONTROL

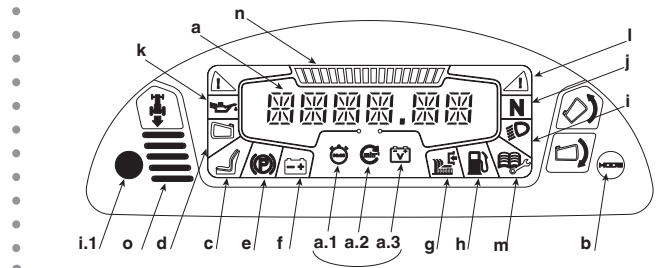
▶ **HF2317...•**



▶ **HF2417HB•HM• HF2625HM•**



▶ **HF2417HT• HF2625HT•**



Al introducir la llave (4.4) en posición «MARCHA», todos los indicadores luminosos se activan contemporáneamente durante un segundo aproximadamente (con una breve señal acústica) para indicar el correcto funcionamiento.

La pantalla (a) entra en modalidad "información" y, con el botón MODE (b), se pueden seleccionar las siguientes funciones:

- **a.1) Cuentahoras:** Los dígitos alfanuméricos muestran las horas de conducción efectuadas, subdivididas en horas y décimos de horas. La unidad de medida va seguida de la letra h;

▶ **HF2625...•**




- **a.2) Cuentarrevoluciones:** indica el régimen de rotación del motor a través de valores numéricos. Valor visualizado:
< 1600 motor al mínimo
> 2600 velocidad de los desplazamientos, velocidad de corte
- **a.3) Voltímetro:** Los dígitos alfanuméricos muestran la tensión de la batería.

Pulsar brevemente el botón MODE y soltarlo para encender en secuencia los iconos a.1, a.2, a.3. En los dígitos alfanuméricos de la pantalla se visualizan los datos asociados al icono seleccionado; la última cifra está reservada a la unidad de medida.



No utilizar el valor del cuentarrevoluciones para ajustar la velocidad del motor.

Sucesivamente, el encendido de un indicador luminoso señala:

- c) el operador está ausente;
- d) falta la bolsa de recolección;
 - Si parpadea, significa que la bolsa de recolección se ha llenado y hace falta vaciarla.
- e) freno de estacionamiento engranado;
- f) recarga de la batería insuficiente: investigar las causas en el cap. 7 del presente manual;
 - Si parpadea significa que la batería está alcanzando el umbral de sobretensión; detener inmediatamente la máquina, desconectar la batería y dirigirse a un Centro de asistencia autorizado.

- g)  dispositivos de corte acoplados;
- h)  carburante en reserva: indica que en el depósito quedan 1,5 litros aproximadamente, lo suficiente para 30-40 minutos de trabajo a régimen;
- i)  faros encendidos;
- i.1) El sensor situado en el interior del tablero de control gobierna el encendido automático de los faros después de unos segundos de oscuridad y su apagado tras unos segundos de luminosidad. Para evitar encendidos indeseados, la zona del sensor debe mantenerse limpia y debe evitarse apoyar trapos u otros objetos en el tablero de control.
El nivel de luminosidad de los faros podría reducirse durante unos segundos debido a una caída de tensión durante la fase de arranque.

⚠ ¡ATENCIÓN! **No mirar directamente al faro LED.**
Puede ser perjudicial para los ojos.

- j) **N** transmisión en "punto muerto";
- k)  anomalías en la lubricación del motor: es necesario parar en seguida el motor, comprobar el nivel del aceite motor (5.3.3 y, si continuase el problema, contactar con su Concesionario.
- l)  La inclinación de la máquina ha alcanzado una pendiente no recomendada.

NOTA Este icono es de carácter puramente informativo y ayuda al usuario a reconocer el ángulo de inclinación de la máquina. El indicador podría encenderse si se produjeran arranques/paradas bruscos o cambios de dirección imprevistos. Evitar este tipo de acciones.


NOTA Ensamblar correctamente todos los componentes siguiendo las instrucciones de montaje descritas en el manual, de lo contrario puede que el indicador luminoso de la inclinación no funcione correctamente.

El tiempo de encendido del icono puede variar según el peso del operador, el peso del saco de recolección y la presión de los neumáticos.

Es posible cambiar los tiempos de encendido del indicador luminoso cuando se monta un accesorio opcional.

La calibración del sensor utilizado para la función del indicador luminoso debe efectuarse en su Concesionario para evitar cualquier problema de funcionamiento.

NOTA Si los indicadores luminosos se encienden en situaciones erróneas, diríjase a su Concesionario (por ejemplo, si el icono se enciende cuando la máquina se encuentra en una superficie plana o con poca pendiente, etc.)

- m)  Mantenimiento necesario.
Al mismo tiempo que se enciende el indicador, en la pantalla aparece el umbral horario de intervención en forma de código:
M20 = Intervalo de mantenimiento a 20 horas
M50 = Intervalo de mantenimiento a 50 horas
M100 = Intervalo de mantenimiento a 100 horas
M300 = Intervalo de mantenimiento a 300 horas

El mantenimiento que debe realizarse para cada umbral horario se encuentra descrito en el punto (6.2).

El código de mantenimiento continúa mostrándose en pantalla hasta que se encienda el motor o hasta que se cambien las funciones de la pantalla. Por otro lado, el indi-

cador de mantenimiento permanece encendido independientemente del estado del motor y de las funciones de la pantalla.

Si en el mismo momento se alcanzan varios umbrales horarios de intervención, los relativos códigos de mantenimiento se alternan en la pantalla cada 2 segundos en orden ascendente.

Restablecer la operación al final de cada operación de mantenimiento, de lo contrario, tanto el código de intervención como el icono se siguen mostrando en pantalla y el intervalo de mantenimiento no puede calcularse correctamente.

Para restablecer la operación:

- Mantener pulsado el botón "MODE" (4.13.b) durante más de 10 segundos, con la llave en posición «MARCHA» y con el motor apagado.

El código de mantenimiento y el icono se mostrarán de nuevo en la pantalla cuando se alcance el siguiente umbral horario de intervención.

Si las indicaciones de mantenimiento se restablecen antes de haber alcanzado el umbral horario de intervención, el tiempo de mantenimiento se muestra en el primer intervalo útil. En este caso, volver a restablecer la operación si ya se ha efectuado el mantenimiento anteriormente.


HF2417...

-
-
-
-
-
-
-
-

En caso de que las indicaciones de mantenimiento no puedan restablecerse de inmediato tras la parada del motor, esperar hasta que la tensión de la batería descienda por debajo de los 12.7 V. Después, intentar comprobar el código de mantenimiento.

HF2625...

-
-
-
-
-
-
-
-

- n)  Indicador gráfico de las revoluciones del motor: las señales que se muestran en la escala gráfica aumentan conforme aumentan las revoluciones del motor. El indicador gráfico y el valor numérico en la pantalla (a.2) cambian a la vez.

- o) La señal acústica puede ser:

- **continua** indica la intervención de la protección de la tarjeta electrónica; girar la llave de la pos. «PARADA» a la posición «MARCHA».
- **intermitente** indica que la bolsa de recolección está llena.

4.21 PEDAL DEL FRENO

Este pedal acciona el freno en las ruedas posteriores.

4.22 PEDAL MARCHA ADELANTE

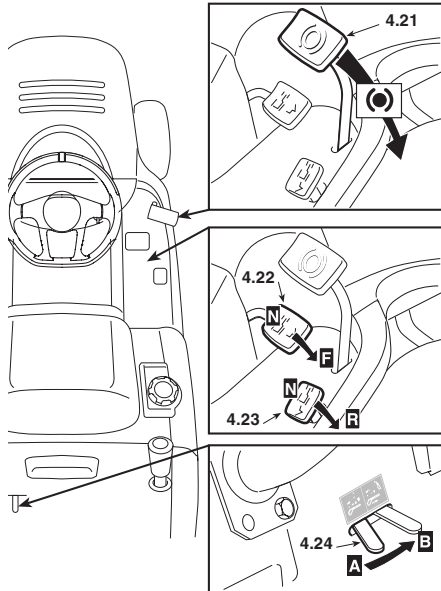
Mediante este pedal se activa la tracción a las ruedas posteriores en marcha hacia delante y se regula la velocidad de la máquina.

- Aumentando la presión en el pedal aumenta progresivamente la velocidad de la máquina.
- Soltando el pedal, éste regresa automáticamente a la posición de punto muerto «N».
- La condición de "Punto muerto" "N" está indicada por el encendido del indicador luminoso (4.13.j)

4.23 PEDAL MARCHA ATRÁS

Mediante este pedal se activa la tracción a las ruedas en marcha atrás y se regula la velocidad de la máquina.

- Aumentando la presión en el pedal aumenta progresivamente la velocidad de la máquina.
- Soltando el pedal, éste regresa automáticamente a la posición de punto muerto «N».
- La condición de «Punto muerto» «N» está indicada por el encendido del indicador luminoso (4.13.j)



¡ATENCIÓN! La marcha atrás se debe activar solo con la máquina parada.

NOTA Si uno de los pedales de la tracción se acciona con el freno de estacionamiento (4.5) introducido, el motor se para.

4.24 PALANCA DE DESBLOQUEO DE LA TRANSMISIÓN HIDROSTÁTICA

Esta palanca tiene dos posiciones, indicadas por una placa:

- «A» = Transmisión engranada: para todas las condiciones de trabajo, en la marcha y durante el corte;
- «B» = Transmisión desengranada: reduce notablemente el esfuerzo requerido para mover la máquina a mano, con el motor apagado.

5. NORMAS DE USO

5.1 MEDIDAS DE SEGURIDAD

¡PELIGRO! Destinar la máquina sólo al uso para la cual ha sido expresamente proyectada (corte y recolección de hierba).

Cualquier otra utilización está considerada como «uso impropio» y comporta la anulación de la garantía y la cancelación de toda responsabilidad del Fabricante, recayendo sobre el usuario todos los cargos causados por daños o lesiones propias o a terceros.

Es inapropiado (ejemplos son excluyentes):

- transportar en la máquina o en un remolque a otras personas, niños o animales;
- remolcar o empujar cargas sin el uso del accesorio apropiado previsto para el remolque;
- utilizar la máquina para el paso en terrenos inestables, resbaladizos, helados, con piedras o irregulares, charcos o pantanos que no permitan la valoración de la consistencia del terreno;
- usar la máquina para recoger hojas o residuos;
- accionar los dispositivos de corte en los tramos sin hierba.

¡PELIGRO! No manipule o quite los dispositivos de seguridad de la máquina. RECUERDE QUE EL USUARIO ES

SIEMPRE EL RESPONSABLE POR LOS DAÑOS ACARREADOS A TERCEROS.

Antes de utilizar la máquina:

- leer las prescripciones generales de seguridad (1.1), con particular atención a la marcha y al corte sobre terrenos en pendiente;
- leer atentamente las instrucciones de uso, adquirir familiaridad con los mandos y el modo de parar rápidamente los dispositivos de corte y el motor.
- no coloque jamás las manos o pies cerca o debajo de las partes rotatorias y manténgase siempre lejos de la apertura de salida.

No utilice la máquina en condiciones físicas precarias o bajo el efecto de medicinas o sustancias que disminuyan los reflejos y la capacidad de concentración.

El usuario es responsable de la evaluación de los riesgos potenciales del terreno sobre el cual se debe trabajar, así como de tomar todas las precauciones necesarias para garantizar su seguridad y la de terceros, especialmente en pendientes, terrenos accidentados, resbaladizos o inestables. No deje la máquina parada en la hierba alta con el motor en marcha para prevenir el riesgo de provocar incendios.

¡ATENCIÓN! Esta máquina no debe trabajar en pendientes superiores a 10° (17%) (5.5).

IMPORTANTE Todas las posiciones de los mandos han sido ilustradas en el capítulo 4.

5.2 CRITERIOS DE INTERVENCIÓN DE LOS DISPOSITIVOS DE SEGURIDAD

Los dispositivos de seguridad intervienen de acuerdo con dos criterios:

- impedir la puesta en marcha del motor si no se respetan todas las condiciones de seguridad;
- parar el motor si falta sólo una condición de seguridad.

Para poner en marcha el motor, es necesario que se cumplan las siguientes condiciones:

- la transmisión en punto muerto;
- los dispositivos de corte estén desactivados;
- el operador esté sentado.

El motor se para cuando se producen las siguientes condiciones:

- el operador abandona el asiento de conducción;
- se levanta la bolsa de recolección o se quita el sistema de seguridad de descarga sin haber desactivado los dispositivos de corte;
- se introduce la marcha atrás con los dispositivos de corte acoplados. Esta eventualidad se puede excluir manteniendo presionado el pulsador 4.7.
- la marcha hacia delante se introduce con el freno de estacionamiento activado.

La tabla siguiente indica algunas condiciones operativas, señalando los motivos de la intervención:

OPERADOR	BOLSA DE RE-COLECCIÓN	DISPOSITIVOS DE CORTE	TRANSMISIÓN	FRENO	MOTOR
A) CUADRO CONECTADO (Llave en la posición «MARCHA»)					
Sentado	SÍ	Desacoplados	«N»	Engranado	Parado
Sentado	NO	Desacoplados	«N»	Desengranado	Parado
B) ARRANQUE (Llave en la posición «ARRANQUE»)					
Sentado	-/	Desacoplados	F/R	Engranado	NO arranca
Sentado	-/	Acoplados	«N»	Engranado	NO arranca
Ausente	-/	Desacoplados	«N»	Desengranado	NO arranca
C) DURANTE LA MARCHA (Llave en la posición «MARCHA»)					
Sentado	SÍ	Desacoplados	F/R	Engranado	Se para
Ausente	SÍ	Desacoplados	«N»	Desengranado	Se para
D) DURANTE EL CORTE (Llave en la posición «MARCHA»)					
Sentado	NO	Acoplados	-/	Desengranado	Se para
Sentado	SÍ	Acoplados	R	Desengranado	Se para*
Ausente	SÍ	Desacoplados	«N»	Desengranado	Se para
Ausente	SÍ	Acoplados	-/	Engranado	Se para

* Esta eventualidad se puede excluir manteniendo presionado el pulsador 4.7.

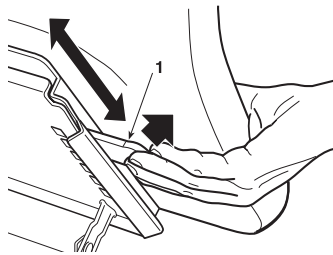
5.3 OPERACIONES PRELIMINARES ANTES DE COMENZAR EL TRABAJO

Antes de comenzar a trabajar, es necesario efectuar una serie de controles y operaciones para desempeñar el trabajo en modo provechoso y con la máxima seguridad.

5.3.1 Regulación del asiento

El asiento se puede deslizar y regular en seis posiciones diferentes.

La regulación se efectúa levantando la manija (1) y deslizando el asiento hasta fijarlo en la posición deseada.



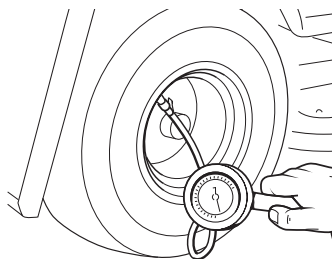
5.3.2 Presión de los neumáticos

Desenroscar los capuchones de protección y conectar las válvulas a una toma de aire comprimido provista de manómetro.

La correcta presión de los neumáticos es una condición esencial para una perfecta alineación del grupo dispositivos de corte y por lo tanto para obtener un césped cortado uniformemente.

Las presiones deben ser:

ANTERIOR	1.5 bar (13 x 5.00-6)
	1.0 bar (15 x 6.00-6)
POSTERIOR	1.2 bar



5.3.3 Abastecimiento de aceite y gasolina

IMPORTANTE Usar aceite SAE 10W30 y gasolina sin plomo (verde) Euro 95.

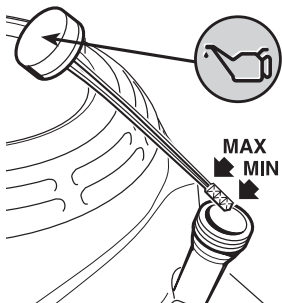
IMPORTANTE Hacer girar el motor con una cantidad insuficiente de aceite puede dañarlo seriamente. El uso de un aceite sin detergente o para motores de dos tiempos puede reducir la duración del motor.

Sobre una superficie plana y con el motor parado, retirar el tapón con la varilla de nivel y secarla. Introducir la hasta el fondo sin enroscarla y extraerla para verificar el nivel de aceite. Si el nivel se encuentra cerca o por debajo del límite inferior (MIN) de la varilla, llenar con el aceite recomendado hasta alcanzar el límite superior (MAX). Volver a enroscar el tapón con la varilla.

Realizar el abastecimiento de carburante utilizando un embudo.

Evitar llenar completamente el depósito; el nivel máximo está indicado en el cuello del depósito.

El contenido del depósito está indicado en el capítulo 10.

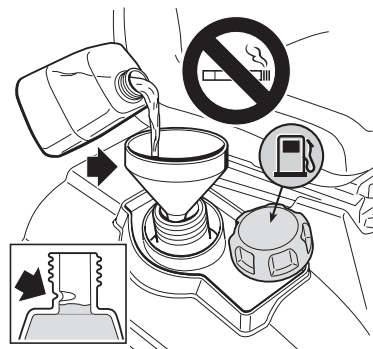


IMPORTANTE Los daños a la instalación de alimentación o problemas de prestaciones del motor que resultan de la negligencia en las operaciones de mantenimiento no están cubiertas de la garantía.

NOTA Si cayera gasolina en la carrocería, limpiar inmediatamente cualquier resto.

¡PELIGRO! El abastecimiento se debe efectuar con el motor apagado en un lugar abierto y bien ventilado. ¡Recordar siempre que los vapores de gasolina son inflamables!

NO ACERQUE LLAMAS A LA BOCA DEL DEPOSITO PARA VERIFICAR EL CONTENIDO Y NO FUME DURANTE EL LLENADO.



• Gasolina con alcohol

IMPORTANTE Si se utiliza gasolina con alcohol, asegurarse de que su número de octano sea al menos igual al índice recomendado por Honda (índice de octano 86). Existen dos tipos de mezclas de gasolina/alcohol: una con etanol y otra con metanol. Especificaciones del carburante necesarias para el mantenimiento de las prestaciones del sistema de regulación de las emisiones: carburante E10 citado en la normativa UE.

No utilizar nunca mezclas de gasolina/alcohol con más del 10 % de etanol. No utilizar gasolina con un nivel de metanol (alcohol metílico o alcohol de madera) superior al 5 % y sin disolventes o inhibidores de corrosión para metanol.

IMPORTANTE

- Los daños causados al sistema de alimentación del carburante o los problemas de funcionamiento del motor debidos al empleo de gasolina con un nivel de alcohol superior al recomendado, no están cubiertos por la garantía.
- Antes de comprar la gasolina en una estación de servicio poco conocida, informarse de si la gasolina contiene alcohol y, si así fuera, preguntar qué tipo de alcohol y en qué porcentaje está presente.

Si durante el uso de una gasolina específica se detectan síntomas de funcionamiento indeseados, volver a utilizar una gasolina con un nivel de alcohol inferior a la cantidad de alcohol recomendada.

5.3.4 Control del sistema de frenos

Comprobar que la capacidad de frenado de la máquina sea adecuada a las condiciones de funcionamiento, evitando comenzar el trabajo en caso de dudas sobre la eficiencia del sistema de frenos. Regular el freno cuando sea necesario (☛ 6.3.4) y en caso de dudas sobre su eficacia, consultar con su Concesionario.

5.3.5 Montaje de las protecciones en la salida (bolsa de recolección o sistema de seguridad de descarga)

¡ATENCIÓN! ¡No utilice jamás la máquina sin haber montado las protecciones a la salida!

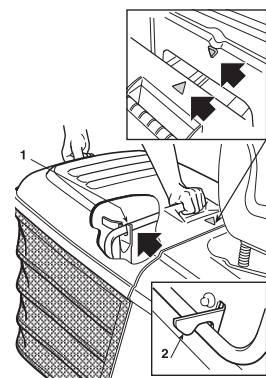
HF2•••HT•

El montaje de las protecciones debe realizarse con las palancas de vuelco bajadas.

Enganchar la bolsa de recolección introduciendo el tubo superior del bastidor en los orificios de los dos soportes (1).

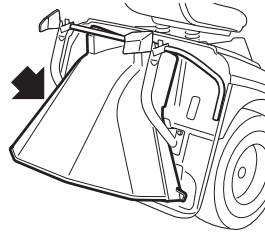
Para centrar correctamente la bolsa de recolección, alinee los dos símbolos indicados en la bolsa de recolección y en la placa posterior.

Asegurarse de que el tubo inferior de la boca de la bolsa de recolección se fije en correspondiente dispositivo de enganche (2).



Enganchar la bolsa de recolección introduciendo el tubo superior del bastidor en los orificios de los dos soportes (☛ 6.3.6).

En caso de que se desee trabajar sin la bolsa de recolección, hay disponible, por encargo, un kit sistema de seguridad de descarga (☛ 8.2) que se debe fijar en la plancha posterior como se indica en las relativas instrucciones.



5.3.6 Control de la seguridad y de la eficiencia de la máquina

1. Comprobar que los dispositivos de seguridad actúen como se indica (☛ 5.2).
2. Asegúrese que el freno funcione regularmente.
3. No empiece el corte si los dispositivos de corte vibrasen o si no estuvieran afilados, recuerde que:
 - Un dispositivo de corte mal afilado arranca el césped y causa el amarilleo del prado.
 - Un dispositivo de corte flojo produce vibraciones anómalas y puede ser peligrosa.

¡ATENCIÓN! No use la máquina si no estuviera seguro de su eficiencia y contacte con su Distribuidor inmediatamente para los necesarios controles o reparaciones.

5.4 USO DE LA MÁQUINA

5.4.1 Arranque

¡PELIGRO! Las operaciones de puesta en marcha deben efectuarse al aire libre o en lugar bien ventilado. **¡RECUERDE SIEMPRE QUE LOS GASES DE ESCAPE DEL MOTOR SON TÓXICOS!**

Antes de arrancar el motor

- poner la transmisión en punto muerto («N») (☛ 4.22);
- desactivar los dispositivos de corte (☛ 4.8);
- engranar el freno de estacionamiento en terrenos en pendiente;
- En caso de arranque en frío, activar el mando Choke (☛ 4.2);
- en caso de motor ya caliente, es suficiente colocar la palanca entre «LENTO» y «RÁPIDO»;
- poner la llave, girarla hacia la posición «MARCHA» para conectar el circuito eléctrico y luego llevarla a la posición «ARRANQUE» para arrancar el motor;
- soltar la llave después de la puesta en marcha.

Con el motor arrancado, llevar el acelerador a la posición «LENTO».

IMPORTANTE El mando choke debe ser desconectado apenas el motor gire regularmente; su empleo con el motor ya caliente puede ensuciar la bujía y causar un funcionamiento irregular del motor.

NOTA En caso de arranque dificultoso, no insista durante mucho tiempo con el motor de arranque para evitar que se descargue la batería y para que el motor no se ahogue. Poner de nuevo la llave en la posición «PARADA», esperar algunos segundos y repetir la operación. Si el problema perdura, consultar el capítulo «8» del presente manual y el manual de instrucciones del motor.

IMPORTANTE Tener siempre presente que los dispositivos de seguridad impiden el arranque del motor cuando no se respetan las condiciones de seguridad (☛ 5.2). En estos casos, después de restablecer la habilitación al arranque, es necesario llevar nuevamente la llave a la «PARADA» antes de volver a arrancar el motor.

5.4.2 Marcha hacia adelante y transferencias

¡ATENCIÓN! La máquina no está homologada para circular por calles públicas. Su empleo (según lo establecido en el Código de Circulación) está permitido exclusivamente en áreas privadas cerradas al tránsito.

Durante los desplazamientos:

- desactivar los dispositivos de corte;
- llevar el grupo dispositivos de corte a la posición de altura máxima (posición «7»);

Llevar la palanca del acelerador a una posición intermedia entre «LENTO» y «RÁPIDO»;

Desengranar el freno de estacionamiento y soltar el pedal del freno (☛ 4.21).

Apretar el pedal de la tracción hacia delante (☛ 4.22) y alcanzar la velocidad deseada regulando la presión en el mismo pedal y actuando en el acelerador.

¡ATENCIÓN! La tracción debe ser accionada de acuerdo con los modos descritos (☛ 4.22) para evitar que un acoplamiento demasiado brusco pueda causar una empujada y la pérdida de control del medio, especialmente en pendientes.

5.4.3 Frenado

Reducir antes la velocidad de la máquina, disminuyendo las revoluciones del motor y luego apretar el pedal del freno (☛ 4.21) para reducir ulteriormente la velocidad, hasta que la máquina se pare.

NOTA Una disminución sensible de la máquina ya se obtiene soltando el pedal de la tracción hacia delante o marcha atrás.

5.4.4 Marcha atrás

La marcha atrás SE DEBE efectuar siempre con la máquina parada.

Después de la parada de la máquina, iniciar la marcha atrás presionando el pedal de la tracción en la dirección «R» (☛ 4.23).

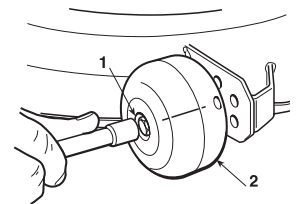
5.4.5 Corte de la hierba

Una vez en el césped que hay que cortar, asegurarse de que la bolsa de recolección o el sistema de seguridad de descarga estén montados correctamente.

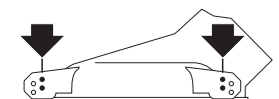


La función de las ruedecillas limitadoras es la de mantener siempre un espacio entre el terreno y el borde del grupo dispositivos de corte para evitar que éste último pueda dañar el prado en caso de terreno irregular.

Cada ruedecilla limitadora del grupo dispositivos de corte puede ser montado a dos alturas diferentes: en la posición más baja ejerce su función de mantenimiento de espacio; en la posición más alta su eficacia es excluida.



Para cambiar la posición, desatornillar y extraer el perno (1) y volver a colocar la ruedecilla (2) en el orificio superior o inferior de la fila indicada en la figura.



¡ATENCIÓN! Esta operación se efectúa siempre en las cuatro ruedecillas, CON EL MOTOR APAGADO Y DISPOSITIVOS DE CORTE DESACOPLADOS.

Para comenzar el corte:

- llevar el acelerador a la posición «RÁPIDO»;
- llevar el grupo dispositivos de corte a la posición de altura máxima;
- acoplar los dispositivos de corte (☛ 4.8);
- Iniciar el avance en el césped en modo muy gradual y con especial cuidado, como se describe anteriormente.
- regular la velocidad de avance y la altura de corte (☛ 4.6) según las condiciones del prado (altura, densidad y humedad de la hierba), en terrenos llanos, se pueden seguir estas indicaciones de carácter general:

Césped alto y denso - prado húmedo 2,5 km/h
Césped en condiciones medias 4 ... 6 km/h
Césped bajo - prado seco más de 6 km/h

La regulación de la velocidad se obtiene en modo gradual y progresivo, presionando el pedal de tracción.

¡ATENCIÓN! Durante los cortes en terrenos en pendiente es necesario reducir la velocidad de avance para garantizar las condiciones de seguridad (☛ 1.2 - 5.5).

En todo caso es necesario disminuir la velocidad cuando se percibe una reducción de revoluciones del motor, y recuerde que no se obtendrá jamás un buen corte del césped si la velocidad de avance es demasiado alta en relación a la cantidad de hierba cortada.

Desacoplar los dispositivos de corte y llevar el grupo dispositivos de corte a la posición de máxima altura cada vez que sea necesario superar un obstáculo.

5.4.6 Vaciado de la bolsa de recolección

No deje que la bolsa de recolección se llene demasiado, para prevenir que se atasque el canal de expulsión.

Una señal acústica intermitente y el parpadeo del indicador luminoso (4.13.d) avisan de que se ha llenado la bolsa de recolección; en este momento:

- reducir el régimen del motor;
- poner la transmisión en punto muerto (N) (☛ 4.22 o 4.23) y parar el avance;
- introducir el freno de estacionamiento en las pendientes;
- desacoplar los dispositivos de corte (☛ 4.8) y la señal acústica se interrumpirá.

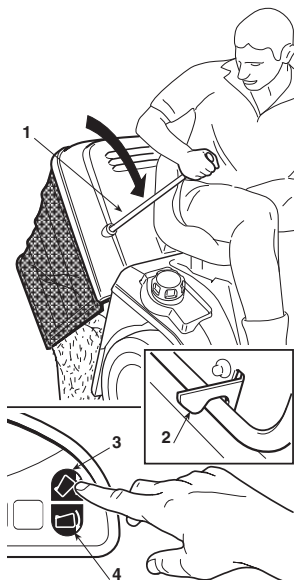
▶ **HF2...HB** **HF2...HM**

NOTA El vaciado de la bolsa de recolección se efectúa exclusivamente con los dispositivos de corte desacoplados, de lo contrario el motor se para.

- Extraer la palanca (1) (☛ 4.11.1) y volcar la bolsa de recolección para vaciarla;
- cerrar la bolsa de recolección para fijarla en el fiador de enganche (2) y volver a colocar la palanca (1).

▶ **HF2...HT**

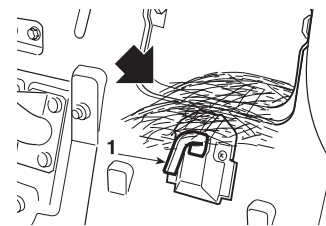
NOTA El mando de vuelco de la bolsa de recolección actúa sólo con los dispositivos de



corte desacoplados.

- con el operador sentado, mantener presionado el pulsador (3) (☛ 4.11.2) hasta el completo vuelco de la bolsa de recolección;
- terminado el vaciado, mantener presionado el pulsador (4) (☛ 4.11.3) hasta la completa bajada de la bolsa de recolección, controlando que quede sujeta al fiador de enganche (2).

NOTA Puede ocurrir que, después de vaciar la bolsa de recolección, la señal acústica se reactive en el momento de la activación de los dispositivos de corte a causa de residuos de hierba que han quedado en el palpador (1) del micro de señalización; en ese caso es suficiente desacoplar y acoplar de nuevo los dispositivos de corte para que se interrumpa la señal. Si la señal acústica persiste, parar el motor, extraer la bolsa de recolección y eliminar los posibles restos de hierba del palpador (1).



5.4.7 Vaciado del canal de expulsión

Un corte de hierba demasiado alta o mojada, junto con una velocidad de avance demasiado elevada, puede atascar el canal de expulsión. En caso de atascamiento, es necesario:

- parar el avance, desacoplar los dispositivos de corte y parar el motor;
- quitar la bolsa de recolección o el sistema de seguridad de descarga;
- sacar la hierba acumulada por la boca de salida del canal de expulsión.

¡ATENCIÓN! Esta operación se debe efectuar siempre con el motor apagado.

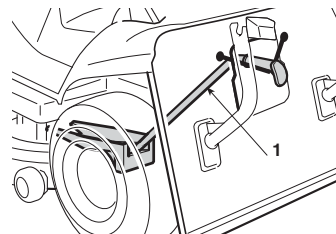
5.4.8 Función "Mulching"

La función "Mulching" consiste en reciclar la hierba en el interior del grupo dispositivos de corte y simultáneamente, reducirla a hebras finamente trituradas, esparciéndolas regularmente sobre el prado.

Si la yerba cortada se descarga en torno al grupo dispositivos de corte o se dispersa en montoncitos durante la operación de trituración de la hierba, es posible que la hierba sea demasiado larga o que la medida de corte sea excesiva. La medida de corte para la trituración de hierba debe establecerse en alrededor de 1/3 respecto a la altura de la hierba (máximo 10-13 cm, antes de la trituración de la hierba).

▶ **HF2317...** **HF2417HB**

Este accesorio (disponible por encargo) debe montarse como se indica en las relativas instrucciones.

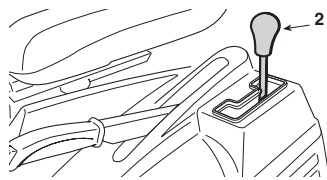


▶ **HF2417HM** **HF2417HT** **HF2625H**

La máquina está provista de un mecanismo que permite pasar de la función de recogida de la hierba a la función mulching. Es necesario estar al corriente de las condiciones de uso de ambas funciones antes de ponerlas en práctica.

La función «Mulching» es activada o desactivada mediante la correspondiente palanca (2) (☛ 4.12).

Accionar la palanca de la función mulching después de quitar la bolsa de recolección de la máquina para asegurarse de que esta última funcione libremente y sin que la hierba la obstruya e influya en su funcionamiento.



Si hay hierba delante de la portezuela, hay que quitarla con un bastón o instrumento similar.

IMPORTANTE *Ejercer un esfuerzo excesivo en la palanca con el cable no ajustado correctamente o con depósitos de hierba puede provocar la rotura del cable o la deformación del soporte causada por una carga excesiva. Si se advirtiera un esfuerzo excesivo de la palanca, no forzar, sino contactar con su Distribuidor.*

Después de cortar

Una vez completada la sesión diaria de corte, es conveniente efectuar la limpieza del grupo dispositivos de corte, del transportador de descarga y de la bolsa de recolección para evitar problemas y garantizar un correcto funcionamiento la próxima vez que se use la máquina.

Detenga el motor, extraiga la llave, ponga el freno de estacionamiento y quite la bolsa de recolección.

Cerciórese de que el transportador de descarga no esté obstruido por la hierba observándolo a través de la abertura de descarga (si está obstruido, quite la hierba).

5.4.9 Fin del corte

Al terminar el corte del césped, desacoplar los dispositivos de corte, reducir el número de revoluciones del motor y efectuar la trayectoria de regreso con el grupo dispositivos de corte en la posición de altura máxima.

5.4.10 Fin del trabajo

Parar la máquina, colocar la palanca del acelerador en la posición «LENTO» y apagar el motor llevando la llave a la posición «PARADA».

Esta operación provoca el cierre automático de la válvula del carburante.

¡ATENCIÓN! *Quitar siempre la llave antes de dejar la máquina sin vigilancia!*

5.4.11 Limpieza y almacenamiento

Guardar la máquina en un ambiente seco, lejos de la intemperie y posiblemente cubrirla con una lona. Después de cada uso, limpiar el exterior de la máquina, vaciar la bolsa de recolección y sacudirla para limpiarla de los residuos de hierba y mantillo.

Buscar y eliminar la hierba acumulada en el interior del compartimento motor y encima al grupo dispositivos de corte, para mantener el nivel óptimo de eficiencia de la máquina.

¡ATENCIÓN! *Vacíe siempre la bolsa de recolección y no deje los contenedores con la hierba cortada en el interior de un local.*

Reparar las partes de plástico de la carrocería con una esponja embebida con agua y detergente, prestando atención a no mojar el motor, los componentes de la instalación eléctrica y la tarjeta electrónica colocada debajo del tablero de instrumentos.

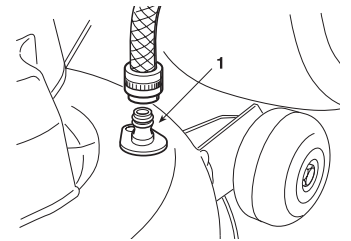
IMPORTANTE *¡No utilice jamás mangueras a presión o líquidos agresivos para el lavado de la carrocería o del motor!*

El lavado del interior del grupo de corte y del canal de expulsión se

debe efectuar sobre un piso firme, con:

- la bolsa de recolección o el sistema de seguridad de descarga montado;
- el operador sentado;
- el motor en marcha;
- la transmisión en punto muerto;
- el freno de estacionamiento engranado;
- los dispositivos de corte activados.

Conectar alternativamente un tubo para el agua a los correspondientes empalmes (1) haciendo pasar el agua durante algunos minutos, con los dispositivos de corte en movimiento.



Durante el lavado es oportuno que el grupo dispositivos de corte se encuentre completamente bajado. Sacar luego la bolsa de recolección, vaciarla, enjuagarla y colocarla de manera que se seque rápidamente.

IMPORTANTE *Para no perjudicar el buen funcionamiento del embrague electromagnético:*

- evitar que el embrague entre en contacto con aceite;
- no dirija chorros de agua a alta presión directamente sobre el grupo de embrague;
- no limpie el embrague con gasolina.

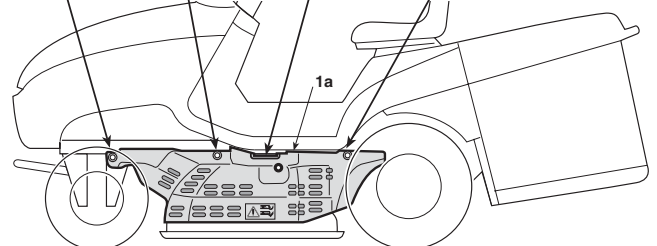
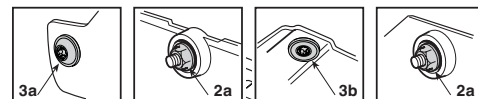
5.4.12 Extracción de la protección de la correa y limpieza del grupo dispositivos de corte

¡ATENCIÓN! *Es necesario que en la parte superior del grupo dispositivos de corte no se acumulen desechos y residuos de hierba seca, para mantener el nivel óptimo de eficiencia y de seguridad de la máquina. Dicha operación debe ser efectuada 2-3 veces al año y antes de dejar la máquina sin utilizar durante mucho tiempo (por ejemplo, pero no solo, a final de la estación).*

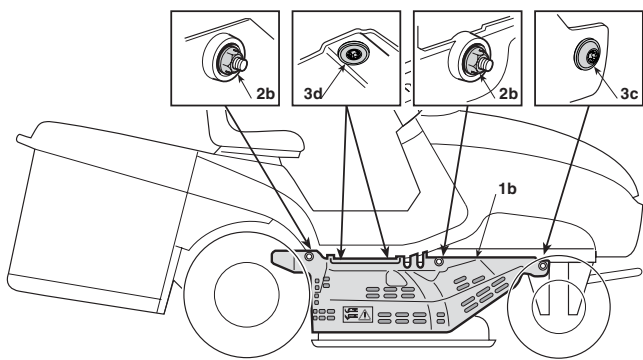
¡ATENCIÓN! *En su máquina se han montado dos protecciones de las correas de transmisión (una a la derecha y una a la izquierda) con el objetivo de impedir contactos accidentales durante el uso.*

HF2317

- La protección de la izquierda (1a) está fijada por:
 - - dos tuercas (2a), que se pueden desenroscar con una llave de 10 mm.;
 - - un tornillo anterior (3a) y un tornillo central (3b), que se pueden desatornillar con una llave Torx T30;



- La protección de la derecha (1b) está fijada por:
 - - dos tuercas (2b), que se pueden desenroscar con una llave de 10 mm.;
 - - un tornillo anterior (3c) y dos tornillos centrales (3d), que se pueden desatornillar con una llave Torx T30.



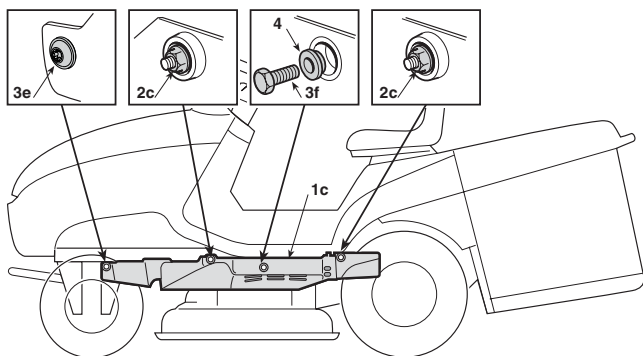
NOTA

Al extraer la protección de la izquierda (1a) prestar atención a no desconectar los tubos de la unión para el lavado del interior del grupo dispositivos de corte.

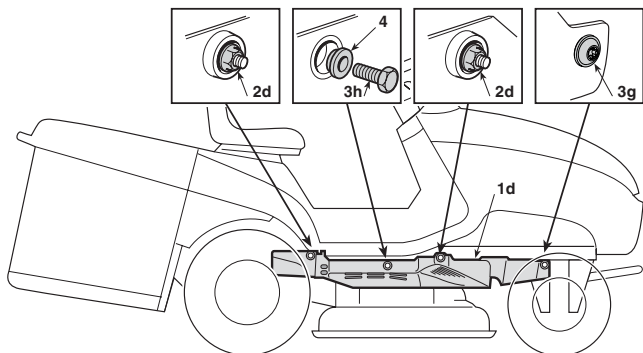
Al volver a montar las protecciones de la izquierda y derecha, volver a colocar antes las tuercas (2a) y (2b) y sucesivamente todos los tornillos.

HF24 **HF26**

- La protección de la izquierda (1c) está fijada por:
 - dos tuercas (2c), que se pueden desenroscar con una llave de 10 mm.;
 - un tornillo anterior (3e) que se puede desatornillar con una llave Torx T30.
 - un tornillo anterior (3f) con un distanciador (4), que se pueden desatornillar con una llave de 10 mm.



- La protección de la derecha (1d) está fijada por:
 - dos tuercas (2d), que se pueden desenroscar con una llave de 10 mm.;
 - un tornillo anterior (3g) que se puede desatornillar con una llave Torx T30.
 - un tornillo anterior (3h) con un distanciador (4), que se pueden desatornillar con una llave de 10 mm.



Cuando monte las protecciones de la izquierda y de la derecha, prestar atención a volver a colocar correctamente los distancias (4) debajo de los tornillos (3f) y (3h).

Para eliminar la protección y limpiar el grupo dispositivos de corte

es necesario:

- llevar el grupo dispositivos de corte a la posición «1» (todo bajado);
- con las llaves adecuadas, desatornillar todos los tornillos y las tuercas, tanto a la derecha como a la izquierda, y extraer las dos protecciones izquierda y derecha;
- utilizando un chorro de aire comprimido, extraer desechos y residuos de hierba de la parte superior del grupo dispositivos de corte.

¡ATENCIÓN! La máquina no debe ser usada si ambas protecciones no están montadas correctamente. Sustituir siempre las protecciones si estuvieran dañadas.

5.4.13 Almacenamiento e inactividad prolongada

Si se prevé un periodo de inactividad prolongado (superior a 1 mes), desconectar el cable de la masa de la batería (negro). Además, lubricar todas las articulaciones siguiendo las indicaciones (6.2.1).

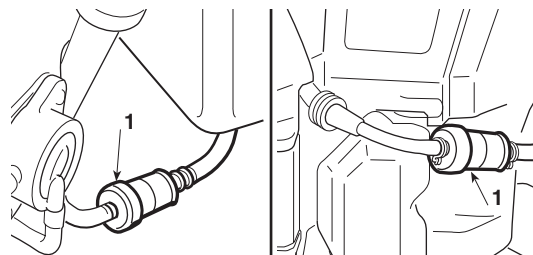
¡ATENCIÓN! ¡Eliminar con cuidado la hierba seca eventualmente acumulada cerca del motor y del silenciador de descarga para evitar posibles incendios accidentales al reanudar el trabajo!

Vaciar el depósito del carburante desconectando el tubo colocado en la entrada del filtro de la gasolina (1).

Volver a conectar el tubo de la gasolina. Aflojar el tornillo de descarga (2) del carburador y vaciar el carburante en un envase adecuado. Enroscar el tornillo de descarga.

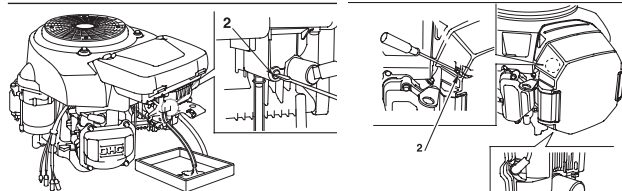
Retirar las dos bujías y verter una cuchara de aceite motor limpio en los cilindros. Hacer girar el motor entre 1 y 2 segundos con el motor de arranque, girando la llave de contacto. Esto hará que el aceite se distribuya uniformemente en los cilindros.

Volver a montar las bujías (6.4.5).



HF23 **HF24**

HF2625



HF23 **HF24**

HF2625

¡PELIGRO! La gasolina es altamente inflamable. Conservar el combustible en contenedores apropiados. Colocar siempre el tapón del tanque y del depósito de gasolina y apretarlos bien.

IMPORTANTE La batería se debe guardar en un lugar fresco y seco. Antes de un largo periodo de inactividad (superior a 1 mes), cargar la batería solo y exclusivamente con el cargador específico suministrado con la máquina y realizar su recarga antes de retomar la actividad (6.2.3).

Al reanudar el trabajo, asegurarse que no existan pérdidas de gasolina de los tubos y del carburador.

5.4.14 Dispositivo de protección de la tarjeta

La tarjeta electrónica está provista de una protección de reposición automática que interrumpe el circuito en caso de anomalías en la instalación eléctrica; la intervención produce la parada del motor, indicada por una señal acústica que se desactiva sólo al quitar la llave.

El circuito se restablece automáticamente después de algunos segundos. Buscar y eliminar las causas de la falla para evitar que se repitan sucesivas interrupciones.

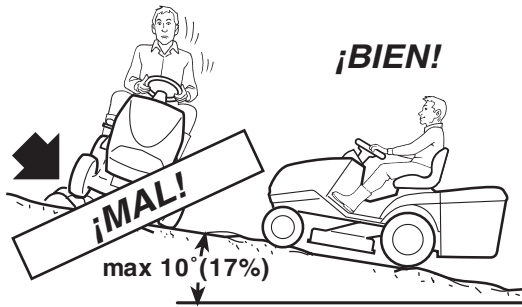
IMPORTANTE Para evitar la intervención de la protección:

- no invierta la polaridad de la batería;
- no ponga en funcionamiento la máquina sin la batería, para no causar anomalías en el funcionamiento del regulador de carga;
- prestar atención a no causar cortocircuitos.

5.5 USO DE LA MÁQUINA EN PENDIENTES

Respetando los límites indicados (**máx 10° - 17%**), los prados en pendiente se deben recorrer en el sentido subida/bajada y jamás en el sentido transversal, prestando especial atención en los cambios de dirección a que las ruedas de arriba no encuentren obstáculos (piedras, ramas, raíces, etc.) que podrían causar deslizamientos laterales, vuelcos, pérdidas de control de la máquina.

El icono (4.13.I) indica que el ángulo de inclinación de la máquina se acerca al límite de pendiente recomendado.



¡PELIGRO! REDUCIR LA VELOCIDAD ANTES DE CUALQUIER CAMBIO DE DIRECCIÓN SOBRE TERRENOS EN PENDIENTE e introducir siempre el freno de estacionamiento antes de dejar la máquina parada y sin vigilancia.

¡ATENCIÓN! En los terrenos en pendiente, es necesario comenzar la marcha hacia delante con especial atención para evitar que la máquina se pueda empinar. Disminuir la velocidad de avance antes de comenzar una pendiente, especialmente en bajada.

¡PELIGRO! No engranar jamás la marcha atrás para disminuir la velocidad de bajada: ya que podría causar la pérdida de control del medio, especialmente en terrenos resbaladizos.

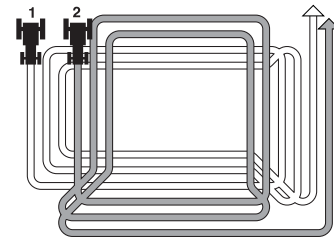
Recorrer las pendientes sin accionar el pedal de la tracción (4.22), para aprovechar el efecto de frenado de la transmisión hidrostática, cuando la transmisión no esté accionada.

5.6 POSICIÓN DE TRANSPORTE

¡ATENCIÓN! Si la máquina debe ser transportada en un camión o en un remolque, utilizar rampas de acceso con resistencia, anchura y longitud adecuadas. Cargar la máquina con el motor apagado, sin conductor y únicamente por empuje, usando un adecuado número de personas. Durante el transporte, bajar el grupo dispositivos de corte, engranar el freno de estacionamiento y asegurar correctamente la máquina al medio de transporte por medio de cables o cadenas.

5.7 CONSEJOS PARA EFECTUAR UN BUEN CORTE DEL CÉSPED

1. Para mantener el prado verde y suave, es necesario que sea cortado regularmente sin traumatizar la hierba.
2. Es aconsejable siempre cortar la hierba con el prado bien seco.
3. Los dispositivos de corte deben estar íntegros y bien afilados para que el corte sea neto, sin desflecados que producen un amarilleo de las puntas.
4. El motor se debe utilizar al régimen máximo para garantizar un corte neto del césped y obtener un buen empuje del césped cortado a través del canal de expulsión.
5. La frecuencia del corte debe ser adecuada al crecimiento del césped, evitando que entre un corte y el otro el césped crezca demasiado.
6. En los periodos más calurosos y secos, es aconsejable mantener la hierba ligeramente más alta para prevenir la aridez del terreno.
7. Si el césped está muy alto es aconsejable realizar el corte en dos pasadas, a distancia de un día; la primera con dispositivos de corte a la altura máxima y eventualmente con ancho de corte reducido, y la segunda a la altura deseada.



8. El aspecto del prado será mejor si los cortes se efectuarán alternándose en las dos direcciones.
9. Si el transportador tiende a atascarse, es aconsejable disminuir la velocidad de avance ya que puede ser excesiva en función de las condiciones del prado; si el problema persiste, son causas probables los dispositivos de corte mal afilados o el perfil de las aletas deformado.
10. Prestar especial atención en los cortes en terrenos con matas o cerca de bordes bajos que podrían dañar el paralelismo y el borde del grupo dispositivos de corte y los dispositivos de corte.

5.8 RECAPITULACIÓN DE LAS PRINCIPALES ACCIONES A EFECTUAR EN LAS DISTINTAS CONDICIONES OPERATIVAS

Es necesario ...	
Arrancar el motor (☛ 5.4.1)	Predisponer las condiciones de habilitación al arranque y accionar la llave.
Efectuar el avance (☛ 5.4.2)	Regular el acelerador; Presionar el pedal de la tracción (☛ 4.22).
Frenar o pararse (☛ 5.4.3)	Disminuir el régimen del motor y apretar el pedal del freno.
Engranar la marcha atrás (☛ 5.4.4)	Parar la máquina; Presionar el pedal de la tracción marcha atrás (☛ 4.23).
Cortar la hierba (☛ 5.4.5)	Enganchar la bolsa de recolección o el sistema de seguridad posterior; Regular la altura de las ruedecillas limitadoras (a exclusión de HF2317**); Regular el acelerador; Acoplar los dispositivos de corte; Regular la altura de corte; Presionar el pedal de la tracción (☛ 4.22);
Vaciar la bolsa de recolección (☛ 5.4.6)	Parar el avance, desacoplar los dispositivos de corte y accionar los mandos para el vuelco de la bolsa de recolección.
Desatascar el canal de expulsión (☛ 5.4.7)	Accionar varias veces la palanca de regulación de altura de corte para sacudir y liberar el canal de expulsión Parar el avance, desacoplar los dispositivos de corte y parar el motor; sacar la bolsa de recolección y limpiar el canal.
Activar la función «Mulching» (☛ 5.4.8)	<p>▶ HF2317** HF2417HB Este accesorio (disponible por encargo) debe montarse como se indica en las relativas instrucciones.</p> <p>▶ HF2417HM HF2417HT HF2625** La función «Mulching» es activada o desactivada mediante la correspondiente palanca (☛ 4.12).</p>
Acabar el corte (☛ 5.4.9)	Desacoplar los dispositivos de corte y disminuir el régimen del motor
Detener el motor (☛ 5.4.10)	Reducir las revoluciones del motor, esperar unos segundos y accionar la llave.
Guardar la máquina (☛ 5.4.11)	Introducir el freno de estacionamiento, quitar la llave y, si es necesario, lavar la máquina, el interno del grupo dispositivos de corte, el canal de expulsión y la bolsa de recolección.

IMPORTANTE ;No arrojar nunca en el ambiente aceites usados, gasolina o cualquier otro producto contaminante!

Cada vez que ...	Es necesario ...
Los dispositivos de corte vibran	Controlar la fijación (☛ 6.3.1) o equilibrar los dispositivos de corte (☛ 6.3.1)
Los dispositivos de corte arrancan el césped y el prado amarillea	Afilar los dispositivos de corte (☛ 6.3.1)
El corte es irregular	Regular el alineamiento del grupo dispositivos de corte (☛ 6.3.2)
El acoplamiento de los dispositivos de corte es irregular	Ajustar el regulador del acoplamiento (☛ 6.3.3)
La máquina no frena	Regular el resorte del freno (☛ 6.3.4)
El avance es irregular	Regular el resorte del tensor (☛ 6.3.5)
La bolsa de recolección salta y tiende a abrirse	Regular el resorte (☛ 6.3.6)

6. MANTENIMIENTO

6.1 MEDIDAS DE SEGURIDAD

¡ATENCIÓN! *Quitar la llave y leer las instrucciones relativas antes de iniciar cualquier operación de limpieza, mantenimiento o de reparación. Vestir indumentados adecuados y guantes de trabajo para el montaje y desmontaje de los dispositivos de corte y en toda condición de riesgo para las manos. El motor debe estar frío antes de proceder con el mantenimiento.*

¡ATENCIÓN! *No utilizar jamás la máquina con piezas desgastadas o dañadas. Las piezas averiadas o deterioradas deben ser sustituidas y jamás reparadas. Utilizar exclusivamente repuestos originales: las piezas de calidad no equivalente pueden dañar la máquina y poner en peligro su seguridad y la de terceros.*

6.2 MANTENIMIENTO PERIÓDICO

6.2.1 GUÍA PARA EL MANTENIMIENTO PROGRAMADO

Esta tabla tiene el objeto de ayudarle a mantener eficiente y segura su máquina. En ella se presentan las principales operaciones de mantenimiento y lubricación con indicación de la periodicidad con la que deben realizarse; al lado de cada una se encuentran una serie de casillas donde ustedes o su Concesionario anotarán la fecha o el número de horas de funcionamiento con las que se ha llevado a cabo la intervención.



Restablecer siempre el icono y el código de umbral horario de intervención (4.13.m) después de cada actividad de mantenimiento.

OPERACIÓN	ACCIÓN	INTERVALO				
		EN CADA USO	3 MESES o 20 HORAS	6 MESES o 50 HORAS	1 AÑO o 100 HO- RAS	300 HO- RAS
Realice el mantenimiento a cada intervalo de horas y meses de funcionamiento, según cuál se compruebe antes.						
Aceite motor	Control	●				
	Cambio		● (1)	●		
Filtro del aire	Control	●				
	Control			◆		
	Sustitución				● (3)	● (4)
Rejilla del conducto del aire de refrigeración	Control	●				
Silenciador	Control	●				
Rejilla del ventilador de refrigeración	Control	●				
Batería	Carga				● (*)	
	Controlar el nivel del electrolito	●				
	Controlar el nivel del electrolito y la densidad del ácido			●		
Neumáticos y presión de inflado	Control	●				
Correa del grupo dispositivos de corte	Control	●				
Correa de transmisión	Control		●			
Freno	Estado del freno	●				
	Apriete del freno y de la varilla de mando de la fricción.		● (1)	● (2)		
	Carrera pedal del freno			●		
	Freno de estacionamiento			●		
Condición de los pernos de los dispositivos de corte	Inspección	●				
Apriete de los pernos de los dispositivos de corte	Control			●	●	
Condición de los dispositivos de corte	Control	●				
Engrasado eje anterior y posterior	Engrasado			●		
Bujía	Control y limpieza				●	
	Sustitución					●
Cable del acelerador	Control y regulación			●		
Depósito, tubo y filtro	Control y regulación					●
Juego de válvulas	Control, sustitución si es necesario					●
Aletas del motor y tabique	Control y regulación					●
Casquillo del pedal de accionamiento	Limpieza			●		
Sistema mulching	Control y limpieza	●				
	Regulación (si es necesario)					●

(*) Si la máquina no se ha usado desde hace más de 1 mes.
◆ Limpie de manera más frecuente el filtro del aire si la máquina se usa en zonas con polvo.

(1) Use este intervalo solo para el primer mantenimiento. (3) GCV530
(2) Este intervalo se refiere al segundo mantenimiento y a los (4) GXV690 siguientes mantenimientos.

6.2.2 Eje posterior

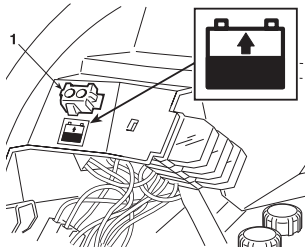
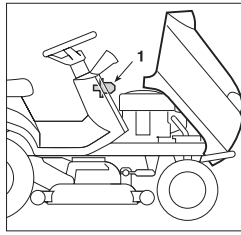
Está formado por un grupo monobloque sellado que no precisa mantenimiento; está provisto de una carga de lubricante permanente que no necesita sustitución o llenado.

6.2.3 Batería

Es fundamental efectuar un cuidadoso mantenimiento de la batería para garantizar una larga duración de la misma. La batería de su máquina deberá estar taxativamente cargada:

- antes de utilizar la máquina por primera vez después de haberla adquirido (3.1);
- antes de cada prolongado período de inactividad de la máquina;
- antes de la puesta en servicio después de un prolongado periodo de inactividad.

La máquina está dotada de un conector (1) para la recarga, que debe conectarse al correspondiente conector del cargador de batería de mantenimiento suministrado.



IMPORTANTE

A este conector no debe conectarse ningún otro dispositivo que no sea el cargador de batería.

Durante los periodos de inactividad, el nivel de carga puede mantenerse constante utilizando el cargador de batería suministrado.

IMPORTANTE

El mantenimiento de la carga debe realizarse con el cargador, siguiendo las indicaciones de las instrucciones de uso correspondientes. Otros sistemas de recarga pueden dañar irremediablemente la batería.

Una batería descargada debe recargarse cuanto antes, de lo contrario los elementos de la batería podrían sufrir daños irreparables.

Comprobar periódicamente el nivel del electrolito; para los eventuales llenados, usar SOLO Y EXCLUSIVAMENTE agua destilada para baterías.

6.3 CONTROLES Y REGULACIONES

6.3.1 Desmontaje, afilado y equilibrado de los dispositivos de corte

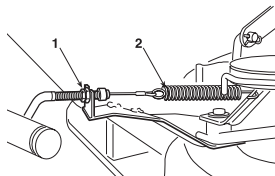
Un dispositivo de corte mal afilado arranca la hierba, reduce la capacidad de carga y amarillea el prado.

IMPORTANTE

Para acceder a los dispositivos de corte es oportuno extraer el grupo dispositivos de corte, dotado de un sistema de desenganche rápido que permite la fácil eliminación de la máquina.

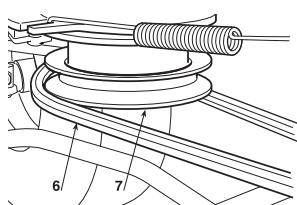
a) Extracción del grupo dispositivos de corte

Extraer las protecciones laterales antes de quitar el grupo dispositivos de corte. (5.4.12).

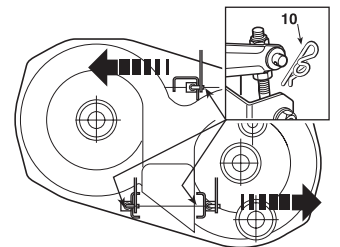
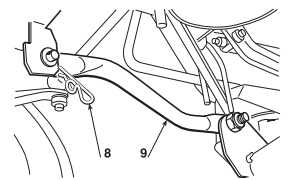


HF2317

- Después de haber colocado la palanca de regulación de la altura de corte en la posición «1», extraer el regulador del cable de acoplamiento (1) y desenganchar el resorte (2).



- Soltar la correa de los dispositivos de corte (6) de la polea de la fricción (7).
- Extraer los dos pasadores de seguridad (8) que fijan las dos bielas (9) al bastidor.
- Desenganchar los tres pasadores de seguridad (10) de bloqueo de los tornillos en las palancas de elevación, prestando atención a no tocar las tuercas y contratuercas para volver a encontrar las mismas situaciones de paralelismo en el montaje.

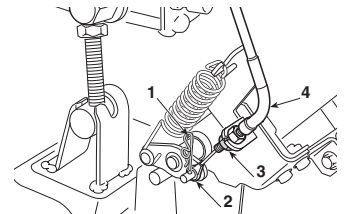


- Verificado que no hay impedimentos, el grupo dispositivos de corte puede ser eliminado, girándolo ligeramente en sentido levógiro, de manera que todos los pernos salgan de sus alojamientos.

- En el montaje, efectuar al contrario las operaciones indicadas arriba asegurándose de que el terminal anterior del canal de expulsión entre correctamente en la salida del grupo dispositivos de corte.

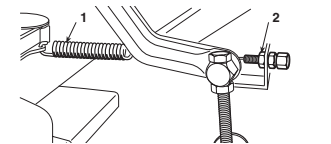
HF2417HM • HF2417HT • HF2625H

- Retirar el cable de accionamiento del "Mulching". Quitar el pasador (1) y extraer el anillo (2). Aflojar la tuerca (3) y quitar el cable (4).

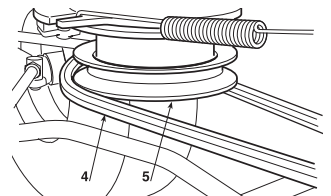


HF24 • HF26

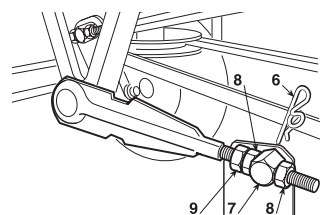
- Colocar la palanca de regulación a la altura de corte en posición «1».



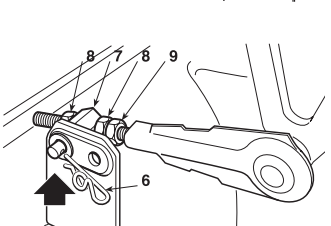
- Desenganchar el muelle (1) del acoplamiento de dispositivos de corte.



- Aflojar el regulador de acoplamiento (2) y sacarlo del alojamiento.

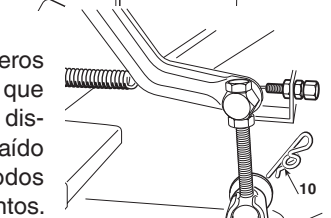


- Soltar la correa de los dispositivos de corte (4) de la polea de la fricción (5).



HF24

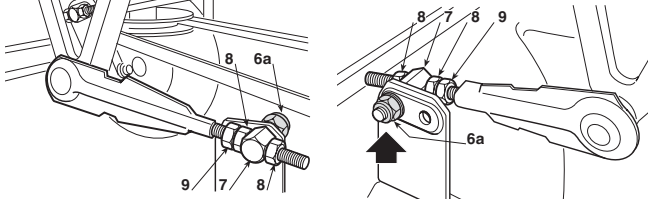
- Sacar los dos pasadores de seguridad (6) de los dos pernos (7) de las bielas delanteras, sin aflojar ni modificar la posición de las tuercas (8) y contratuercas (9).



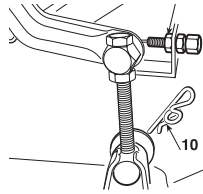
- Quitar los dos pasadores de seguridad (10) de los pernos traseros y después, habiendo verificado que no haya impedimentos, el grupo dispositivos de corte puede ser extraído deslizándolo de modo tal que todos los pernos salgan de los alojamientos.

HF26

Aflojar las dos tuercas (6a) de los dos pernos (7) de las bielass delanteras, sin aflojar o modificar la posición de las tuercas (8) y las contratuercas (9).



Quitar los dos pasadores de seguridad (10) de los pernos traseros y después, habiendo verificado que no haya impedimentos, el grupo dispositivos de corte puede ser extraído deslizándolo de modo tal que todos los pernos salgan de los alojamientos.



En el montaje, prestar atención a utilizar los dos orificios posteriores de las escuadras para la fijación de los pernos (7); efectuar al contrario las operaciones arriba indicadas, asegurándose de que el terminal anterior del canal de expulsión entre correctamente en la salida del grupo dispositivos de corte.

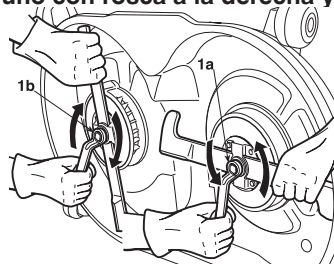
b) Desmontaje, afilado y equilibrado de los dispositivos de corte

¡ATENCIÓN! *Todas las operaciones relativas a los dispositivos de corte (desmontaje, afilado, equilibrado, remontaje y/o sustitución) son trabajos complicados que requieren una especial competencia además del empleo de las herramientas especiales; por razones de seguridad, siempre es aconsejable dirigirse a un centro especializado si no se dispone de las herramientas o conocimientos adecuados.*

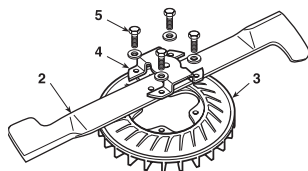
¡ATENCIÓN! *Llevar siempre guantes de trabajo cuando maneje los dispositivos de corte.*

Para desmontar el dispositivo de corte, cogerlo firmemente y desatornillar el tornillo central (1a-1b) con una llave de 15 mm en el sentido indicado por la flecha para cada dispositivo de corte, ya que los tornillos de fijación son uno con rosca a la derecha y el otro con rosca a la izquierda.

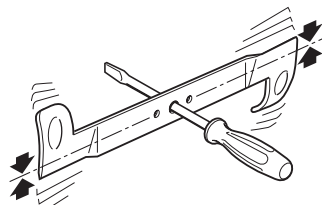
- 1a** = tornillo con rosca derecha (desatornillar en sentido antihorario)
- 1b** = tornillo con rosca izquierda (desatornillar en sentido horario)



El dispositivo de corte (2) está fijado al rotor (3) mediante un soporte (4) y cuatro tornillos con arandelas (5). Con una llave de 10 mm aflojar los cuatro tornillos (5) y soltar el dispositivo de corte (2) del soporte (4).



Afilar ambas cortantes por medio de una muela de grano medio y controlar el balanceado del dispositivo de corte sosteniéndolo con un destornillador introducido en el orificio central.



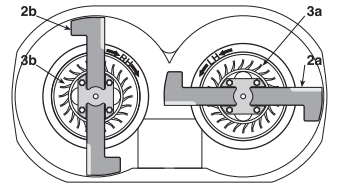
¡ATENCIÓN! *Sustituir siempre los dispositivos de corte dañados o doblados; ¡no intente nunca arreglarlos! ¡USAR SIEMPRE DISPOSITIVOS DE CORTE ORIGINALES!*

En esta máquina emplear solo los siguientes pares de dispositivos de corte:

HF 2317:	2b	80395-Y09-003 (82004345/1)	-	80394-Y09-003 (82004344/1)	2a
HF 2417:	2b	72511-VK1-A11 (82004341/1)	-	72531-VK1-A11 (82004340/1)	2a
HF 2625:	2b	72511-VK1-B11 (82004343/0)	-	72531-VK1-B11 (82004342/0)	2a

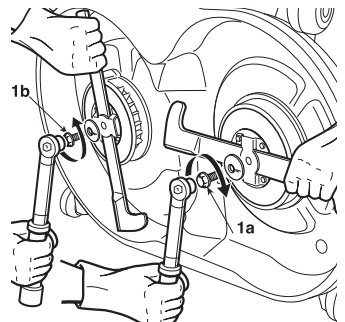
¡ATENCIÓN! *Los dispositivos de corte (2) y los rotores (3) son diferentes entre ellos y contra giratorios. En el montaje asegurarse de que se respeten las posiciones originales.*

Volver a montar cada dispositivos de corte (2a – 2b) en el respectivo rotor (3a – 3b), respetando las indicaciones “RH” (derecha) y “LH” (izquierda) impresas en el rotor y en el interior del grupos dispositivos de corte, y apretar los cuatro tornillos (5) con arandelas con una llave dinamométrica calibrada a 9,5 Nm.

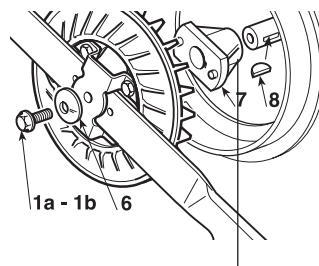


NOTA *Las indicaciones “derecha” e “izquierda” se refieren a la posición de guía.*

¡ATENCIÓN! *Si durante el desmontaje de los dispositivos de corte se hubiera salido uno o ambos cubos (7) del árbol, comprobar que las chavetas (8) estén bien insertadas en sus correspondientes alojamientos. En el montaje, respete las secuencias indicadas prestando atención a que las aletas de los dispositivos de corte estén dirigidas hacia el interior del grupo dispositivos de corte y que la parte cóncava del disco elástico (6) presione contra el dispositivo de corte. Apriete a fondo los tornillos de fijación (1a-1b) con una llave dinamométrica, calibrada a 45-50 Nm.*



- 1a** = tornillo con rosca derecha (atornillar en sentido horario)
- 1b** = tornillo con rosca izquierda (atornillar en sentido antihorario)



6.3.2 Alineamiento del grupo dispositivos de corte

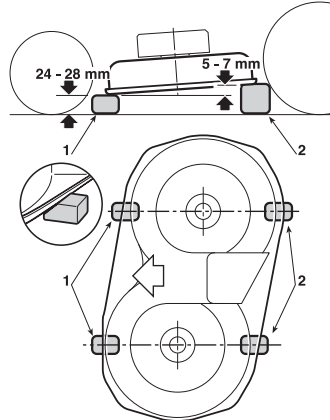
Una buena regulación del grupo dispositivos de corte es esencial para obtener un prado cortado uniformemente.

NOTA

Para obtener un buen corte, es oportuno que la parte anterior resulte siempre 5-7 mm más baja que la parte posterior.

– Colocar la máquina en una superficie llana y comprobar la correcta presión de los neumáticos;

– en el eje de los dispositivos de corte, colocar dos espesores (1) de 24-28 mm debajo del borde anterior del grupo dispositivos de corte y dos espesores (2) 5-7 mm más altos debajo del borde posterior;



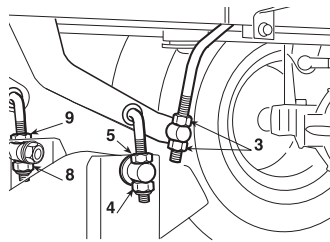
– colocar la palanca de elevación en posición «1».

▶ HF2317...

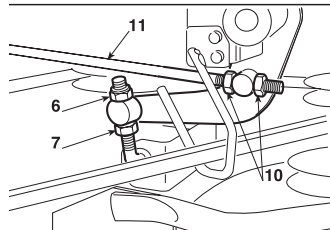
- Aflojar completamente el regulador (3), las tuercas (4 - 6 - 8) y las contratuercas (5 - 7 - 9) de las tres bielas de articulación hasta apoyar el grupo dispositivos de corte en los espesores;
- enroscar las dos tuercas superiores derechas (6 - 8) y la tuerca inferior izquierda (4) hasta advertir un inicio de elevación del grupo dispositivos de corte, bloquear las tres contratuercas (5 - 7 - 9) y trabajar en las tuercas (3) hasta que un mínimo movimiento de la palanca de elevación no provoque un movimiento análogo de todas las bielas de elevación.

Una diferencia de altura respecto al piso entre el borde derecho y el borde izquierdo del grupo dispositivos de corte se puede compensar interviniendo correctamente en las dos tuercas (4 - 8) y contratuercas (5 - 9) de las bielas posteriores.

Llevar la palanca de mando a 2 ó 3 posiciones diferentes, controlado que el grupo dispositivos de corte se levante uniformemente y que en cada posición se mantenga constante la diferencia de altura entre el borde anterior y el posterior con respecto al terreno.



Si la parte anterior tiende a anticipar o a retardar la subida a la posición, es posible regularizar el movimiento interviniendo correctamente en las tuercas (10) de la varilla de conexión (11).



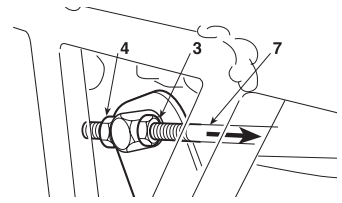
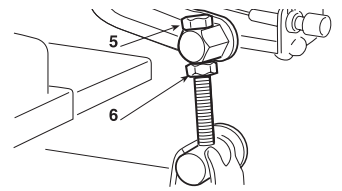
Enroscando las tuercas en la varilla, se tiende a levantar la parte anterior y anticipar la subida, desenroscándoles se obtienen efectos opuestos.

▶ HF24...◇◇◇

▶ HF26...◇◇◇

- Aflojar las tuercas (3), los tornillos (5) y las contratuercas (4 - 6) en el lado derecho y en el lado izquierdo para que el grupo dispositivos apoye establemente en los espesores;
- empujar hacia atrás las dos varillas de conexión (7) y enroscar en las respectivas varillas las dos tuercas (3) hasta que comience la elevación de la parte anterior del grupo dispositivos

- de corte a la derecha y a la izquierda; luego fijar las relativas contratuercas (4);
- trabajar en ambos tornillos posteriores (5) hasta que comience la elevación de la parte posterior del grupo dispositivos de corte a la derecha y a la izquierda, luego fijar las relativas contratuercas (6).



Si no se consiguiera obtener un buen ajuste del grupo dispositivos de corte, consultar con su Concesionario.

6.3.3 Regulación del acoplamiento y freno de los dispositivos de corte

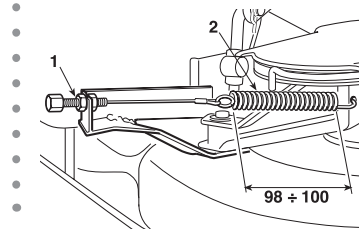
Cuando se acciona el mando para desacoplar los dispositivos de corte, se acciona contemporáneamente un freno que para la rotación en pocos segundos.

El alargamiento del hilo y/o las variaciones de la longitud de la correa pueden causar un acoplamiento y rotación irregulares de los dispositivos de corte.

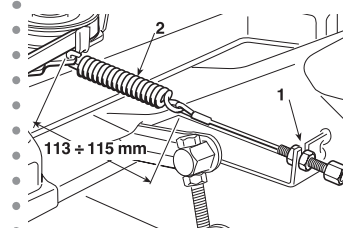
En dicho caso, es necesario trabajar en el registro, según las diferentes modalidades previstas para cada modelo.

Trabajar en el registro (1) hasta obtener la justa longitud del muelle (2).

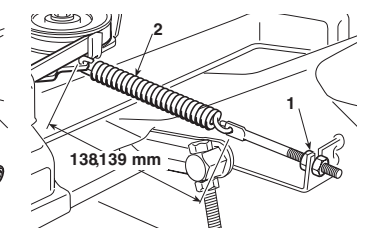
▶ HF2317...



▶ HF2417...◇◇◇



▶ HF2625...◇◇◇



En cualquier caso, si después de la regulación el acoplamiento no se consigue accionar regularmente la correa o la parada de los dispositivos de corte no se efectúa dentro de algunos segundos, es necesario contactar rápidamente con su Concesionario.

6.3.4 Regulación del freno

El alargamiento de los espacios de frenado respecto a los valores indicados (☛ 5.3.6), determina la necesidad de regular el resorte del freno.

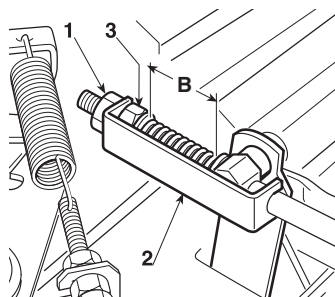
La regulación se debe efectuar con el freno de estacionamiento engranado.

Es posible acceder a la regulación sacando la portezuela colocada en el túnel a la base del asiento.

Aflojar la tuerca (1) que fija la abrazadera (2) e intervenir en la tuerca (3) hasta obtener una longitud del resorte de:

$$B = 45 - 47 \text{ mm}$$

medida dentro de las arandelas. Después de haber efectuado la regulación, fijar la tuerca (1).



IMPORTANTE No enrosque debajo de estos valores, para evitar sobrecargar el grupo freno.

¡ATENCIÓN! Si después de esta regulación no se restablece el correcto funcionamiento del freno, contacte inmediatamente con su Concesionario. NO INTENTE OTRAS INTERVENCIONES EN EL FRENO, A EXCEPCIÓN DE LAS DESCRITAS.

6.3.5 Regulación de la tensión de la correa de tracción

Si la máquina presenta una insuficiente capacidad de avance, es necesario regular la tensión del resorte del tensor hasta restablecer las condiciones óptimas de funcionamiento. Es posible acceder a la regulación sacando la portezuela colocada en el túnel a la base del asiento.

Aflojar las tuercas de fijación (2) y desenroscar o enroscar el tornillo (1) lo necesario para obtener una longitud "A" del resorte (3) de:

$$A = 109 - 111 \text{ mm}$$

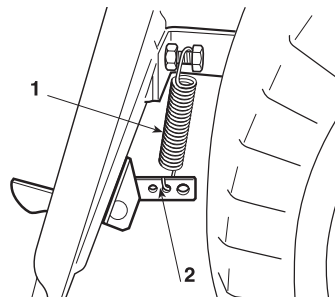
medida dentro de las espiras. Después de haber efectuado la regulación, fijar las tuercas (2).

NOTA En caso de sustitución de la correa, prestar la máxima atención durante los primeros usos ya que el acoplamiento podría resultar brusco hasta haber hecho suficientemente el rodaje de la correa.

6.3.6 Regulación del resorte del fiador de enganche de la bolsa de recolección

Si la bolsa de recolección tiende a saltar y a abrirse al marchar en terrenos irregulares o si resulta dificultosa la fijación después de haberla vaciado, es necesario regular la tensión del resorte (1).

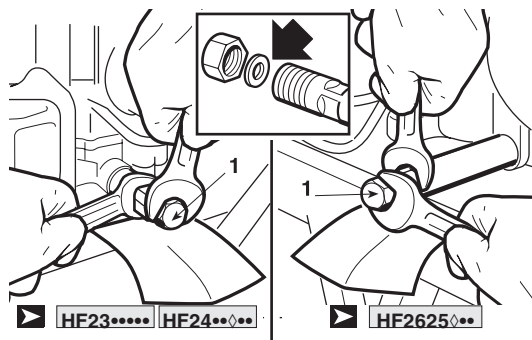
Modificar el punto de conexión utilizando uno de los orificios (2) hasta obtener el resultado deseado.



6.4 OPERACIONES DE DESMONTAJE Y SUSTITUCIÓN

6.4.1 Sustitución del aceite motor

Descargar el aceite cuando el motor esté frío.



Sacar el tapón de llenado con la varilla y colocar una hoja de cartón o un objeto similar debajo del tubo de descarga para evitar que el aceite gotee sobre el bastidor de la máquina.

Desenroscar el tapón (1); al volver a montar el tapón, prestar atención a la posición de la junta interna.

Proceder al llenado con el aceite recomendado hasta alcanzar el límite superior de la varilla (5.3.3). Volver a enroscar el tapón con la varilla.

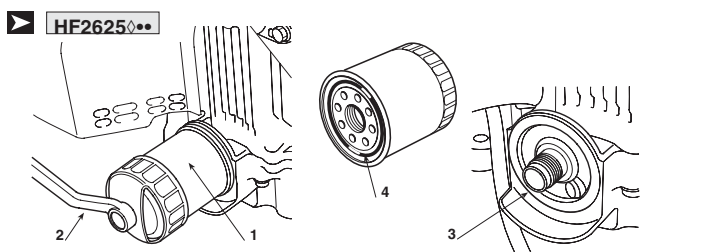
6.4.2 Cambio del filtro de aceite

1. Vaciar el aceite motor (6.4.1).
2. Retirar el filtro del aceite (1) con la llave del filtro (2) y vaciar el aceite que quede. Tirar el filtro del aceite.
3. Limpiar la base del filtro (3).
4. Recubrir el nuevo anillo de junta toroidal (4) en el nuevo filtro con aceite del motor limpio.
5. Instalar el filtro del aceite nuevo en la base del filtro y apretarlo a mano hasta que el anillo en O se encuentre en su alojamiento contra la base del filtro.
6. Enroscar el filtro del aceite con el par de apriete especificado (12 Nm - 1,20 kgm).

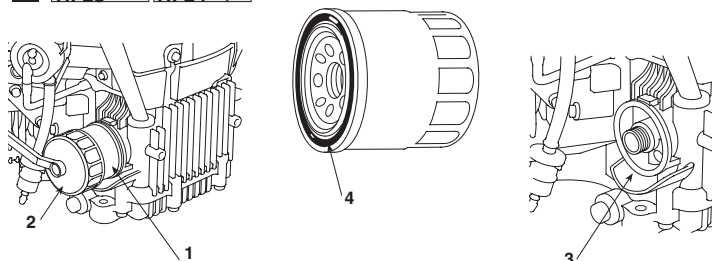
IMPORTANTE Utilizar exclusivamente un filtro de aceite original Honda o un filtro de calidad equivalente, específico para el modelo en cuestión. El uso de un filtro Honda no apropiado o un filtro que no sea Honda con una calidad no equivalente, podría dañar el motor.

7. Llenar el motor con la cantidad indicada de aceite recomendado. Arrancar el motor y comprobar que el filtro no pierda.
8. Apagar el motor y volver a comprobar el nivel de aceite. Si fuera necesario, añadir aceite hasta alcanzar el nivel adecuado.

NOTA Para consejos relativos a la llave para filtro (herramienta especial), dirigirse al propio concesionario.



▶ HF23..... HF24...◆◆



6.4.3 Asistencia del filtro del aire

⚠ ¡ATENCIÓN! No utilizar nunca el filtro del aire con gasolina o disolventes muy inflamables. Esto podría causar explosiones o incendios.

▶ IMPORTANTE No hacer girar el motor sin el filtro del aire. Podrían penetrar cuerpos extraños como polvo o suciedad que provocarían un rápido desgaste del motor.

1.

▶ HF23♦♦♦♦ HF24♦♦♦♦ :

Sacar los dos pernos (1a) de la tapa del filtro del aire y retirar la tapa.

Mover el elemento de papel (3) del cuerpo del filtro del aire (5). Retirar el elemento de caucho esponjoso (4) de la tapa del filtro del aire (2)

▶ HF2625♦♦♦♦ :

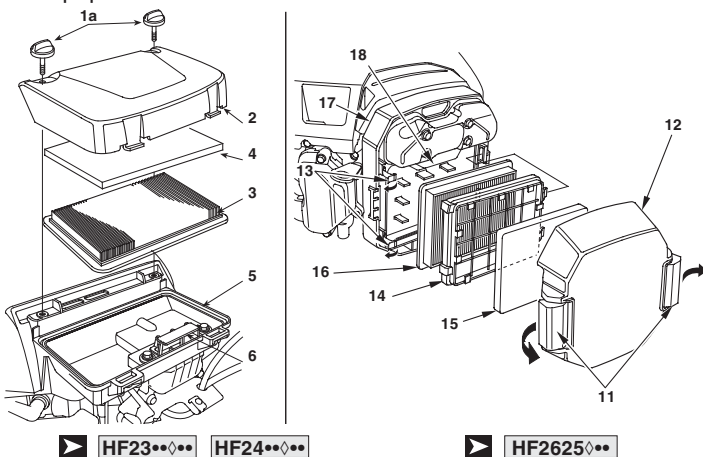
Desbloquear las dos lengüetas (11) de bloqueo de la tapa (12) del filtro de aire.

Desenganchar las dos lengüetas (13) del soporte del filtro (14), después, quitar el soporte del filtro (14) y extraer el elemento de caucho esponjoso (15) del soporte. Quitar el elemento de papel (16).

2. Limpiar los elementos del filtro del aire si se desea volver a utilizarlos.

- **Elemento de caucho esponjoso (4-15):** limpiar con agua caliente y jabón, enjuagar y secar completamente. O bien, limpiar con un disolvente no inflamable y secar. Mojar con aceite motor limpiado el elemento, escurriéndolo para hacer que salga el aceite en exceso. Si queda demasiado aceite en el elemento esponjoso, el motor emitirá humo en el momento de arrancar.

- **Elemento de papel (3-16):** aterrajear el elemento ligeramente varias veces en una superficie dura para eliminar la suciedad en exceso, o soplar aire comprimido (que no supere los 2,1 kg/cm² a través del filtro desde el lateral del cuerpo del filtro del aire. No intentar nunca eliminar la suciedad cepillando; esta acción de cepillado introduciría la suciedad en las fibras. Sustituir el elemento de papel si se encuentra excesivamente sucio.



3. Eliminar la suciedad de la parte interior del cuerpo del filtro del aire (5-17) y de la tapa frotando con un trapo húmedo. Prestar atención para evitar que la suciedad penetre en la cámara limpia (6-18) que llega al carburador.

4. Volver a instalar los cartuchos del filtro del aire y la tapa.

▶ HF23♦♦♦♦ HF24♦♦♦♦ : Apretar firmemente los dos pernos (1a) de la tapa del filtro del aire.

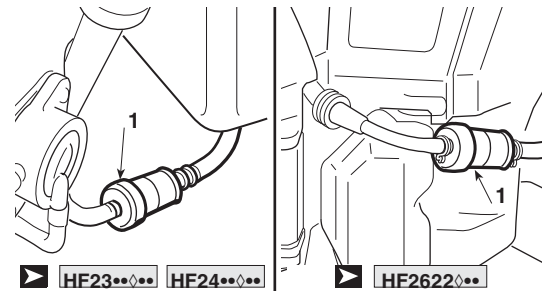
▶ HF2625♦♦♦♦ : Enganchar firmemente las lengüetas (11) de bloqueo.

NOTA Evitar que penetre polvo, suciedad y detritos en

la cámara de limpieza (cuerpo del filtro del aire) durante el mantenimiento del filtro del aire.

6.4.4 Mantenimiento del filtro carburante

⚠ ¡ATENCIÓN! La gasolina es una sustancia altamente inflamable que puede explotar en ciertas condiciones. No fumar y no acercar ningún tipo de llama o chispa al motor.



Comprobar que en el filtro del carburante (1) no se hayan acumulado agua o sedimentos. En ese caso, llevar el motor al distribuidor autorizado Honda.

6.4.5 Mantenimiento bujía

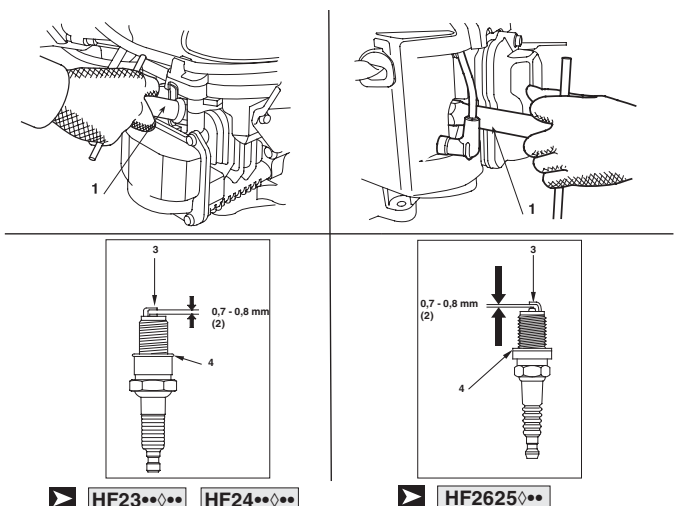
Bujías recomendadas:

▶ HF23♦♦♦♦ HF24♦♦♦♦ :
BPR5ES (NGK) - W16EPR-U (DENSO).

▶ HF2625♦♦♦♦ :
ZFR5F (NGK)

▶ IMPORTANTE No utilizar nunca una bujía de gama térmica inapropiada.

Para garantizar un buen funcionamiento del motor, la distancia de los electrodos de las bujías debe ser apropiada y las bujías no han de presentar depósitos carbonosos.



1. Retirar los cubrebujías y utilizar una llave para bujía (1) para quitar cada bujía.

⚠ ¡ATENCIÓN! Si el motor ha estado encendido, el convertidor está muy caliente. Prestar atención a no quemarse.

2. Comprobar visualmente las bujías. Descartar la bujía si se observa desgastada o si el aislante se encuentra desportillado o resquebrajado. Limpiar las bujías con un cepillo metálico si se

desea volver a utilizarlas.

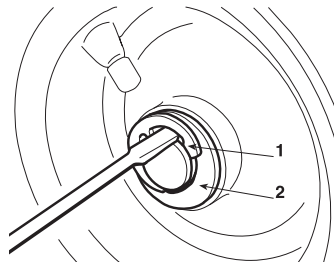
3. Medir con un calibrador de espesor el intervalo de los electrodos (2) de la bujía, corrigiéndolo si fuera necesario doblando el electrodo lateral (3). El intervalo debe ser: 0,7 - 0,8 mm.
4. Comprobar que la arandela de la bujía (4) se encuentre en buenas condiciones y enroscar la bujía a mano para evitar dañar el roscado.
5. Una vez que la bujía se apoye en la base, apretarla con una llave para bujías (1) de forma que comprima la arandela.

NOTA

Cuando se instale la bujía nueva, apretarla 1/2 giro después de que se haya apoyado para así comprimir la arandela. Cuando se vuelva a instalar una bujía usada, apretarla 1/8 1/4 giro hasta que se haya apoyado para así comprimir la arandela.

IMPORTANTE

Las bujías deben apretarse firmemente. Si las bujías no se aprietan correctamente, podrían sobrecalentarse y dañar el motor.



6.4.6 Sustitución de las ruedas

Con la máquina en una superficie plana, colocar unos espesores debajo de un elemento portante del bastidor, por el lado de la rueda a sustituir.

Las ruedas son retenidas por un anillo elástico (1) que se puede extraer utilizando un destornillador.

Las ruedas posteriores son ensambladas directamente en los semiejes por medio de una chaveta obtenida en el cubo de la rueda.

NOTA

En caso de sustitución de una o de ambas ruedas posteriores, asegurarse que sean del mismo diámetro y comprobar la regulación del paralelismo del grupo dispositivos de corte para prevenir cortes irregulares.

IMPORTANTE

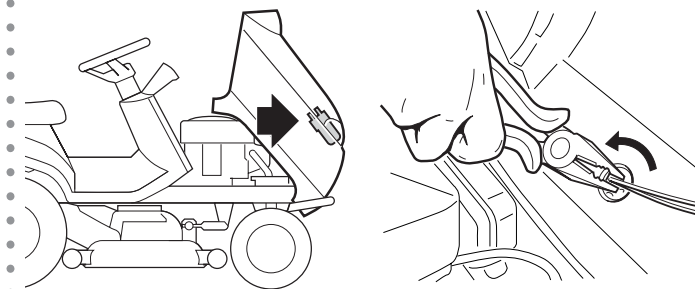
Antes de montar una rueda, untar el eje con grasa y volver a colocar cuidadosamente el anillo elástico (1) y la arandela de apoyo lateral (2).

6.4.7 Reparación o sustitución de los neumáticos

Los neumáticos son de tipo «Tubeless» y por lo tanto después de haberlos pinchado deben ser sustituidos o reparados por un reparador de neumáticos especializado, según los modos previstos para este tipo de neumático.

6.4.8 Sustitución de las lámparas

▶ **HF23••♦••** **HF2417HB•** :



- Las lámparas (10W) se colocan a bayoneta en el portalámparas que se extrae girándolo en sentido antihorario con la ayuda de una pinza.

6.4.9 Sustitución de un fusible

En la máquina están previstos algunos fusibles de diferente capacidad, cuyas funciones y características están indicadas en la tabla siguiente:

- | | |
|---------------------|--|
| 1 - 10 Amp - (Rojo) | protección de los circuitos generales y de potencia de la tarjeta electrónica; |
|---------------------|--|

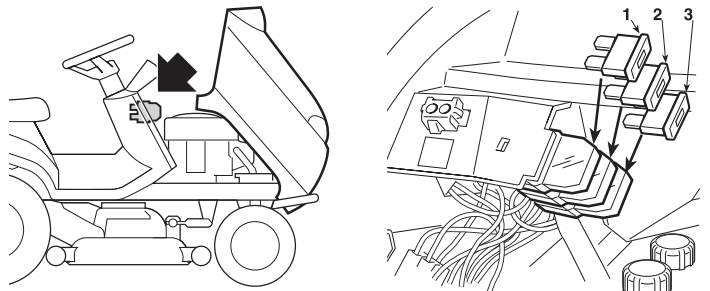
▶ **HF23••♦••** **HF24••♦••**

- | | |
|-----------------------|-------------------------------------|
| • 2 - 15 Amp - (Azul) | protección del circuito de recarga; |
|-----------------------|-------------------------------------|

▶ **HF2625H••**

- | | |
|-----------------------|---|
| • 2 - 15 Amp - (Azul) | protección del circuito de recarga; |
| • 3 - 10 Amp - (Rojo) | protección del circuito de comando de vuelco de la bolsa. |

- La intervención del fusible (1) provoca la parada de la máquina y el apagado completo del tablero de control.
- La intervención del fusible (2) se señala con el encendido del indicador luminoso de la batería (☛ 4.13.f).
- La intervención del fusible (3) impide el funcionamiento del motor de comando de vuelco de la bolsa.



IMPORTANTE

Un fusible quemado debe ser siempre sustituido con uno de igual tipo y capacidad y jamás con uno de capacidad diferente.

Si no se logra eliminar las causas de la intervención, consultar con su Concesionario.

6.4.10 Sustitución de las correas

La sustitución de las correas necesita desmontajes y sucesivas regulaciones bastante complicadas, por lo que es indispensable que la realice su Concesionario.

NOTA

¡Sustituir las correas apenas manifiesten evidentes signos de desgaste! ¡UTILIZAR SIEMPRE CORREAS ORIGINALES!

7. GUÍA PARA LA IDENTIFICACIÓN DE LAS ANOMALÍAS

PROBLEMA	POSIBLE CAUSA	SOLUCIÓN
1. Con la llave en «MARCHA», el tablero de control permanece apagado, sin alguna señal acústica.	Intervención de la protección de la tarjeta electrónica a causa de: <ul style="list-style-type: none"> - batería mal conectada - inversión de la polaridad de la batería - batería completamente agotada o sulfatada - fusible quemado - masa insegura en el motor o en el bastidor 	Poner la llave en la pos. «PARADA» y buscar las causas de la avería: <ul style="list-style-type: none"> - comprobar las conexiones (☛ 3.1) - comprobar las conexiones (☛ 3.1) - recargar la batería (☛ 6.2.3) - sustituir el fusible (10 A) (☛ 6.4.9) - comprobar las conexiones de los cables negros de la masa
2. Con la llave en «MARCHA», el tablero de control permanece apagado pero se produce una señal acústica continua	Intervención de la protección de la tarjeta electrónica a causa de: <ul style="list-style-type: none"> - tarjeta mojada - voltaje de la batería demasiado elevado - problemas en la tarjeta electrónica 	Poner la llave en la pos. «PARADA» y buscar las causas de la avería: <ul style="list-style-type: none"> - secar con aire tibio - comprobar el voltaje de la batería - comprobar las conexiones (☛ 3.1) - sustituir la batería - contacte con su Concesionario
3. Con la llave en «ARRANQUE», el tablero de control se enciende pero el pulsador de arranque no gira	<ul style="list-style-type: none"> - batería no suficientemente cargada - masa insegura del motor de arranque - falta habilitación al arranque (☛ 5.2) 	<ul style="list-style-type: none"> - recargar la batería (☛ 6.2.3) - comprobar las conexiones de la masa - desactivar los dispositivos de corte; (en caso de que el problema perdure, controle el microinterruptor pertinente) - poner la transmisión en punto muerto ("N") - sentarse de forma estable en el asiento
4. Con la llave en «ARRANQUE», el motor de arranque gira, pero el motor no se pone en marcha	<ul style="list-style-type: none"> - batería no suficientemente cargada - falta flujo de gasolina <ul style="list-style-type: none"> - encendido defectuoso <ul style="list-style-type: none"> - falta de aceite 	<ul style="list-style-type: none"> - recargar la batería (☛ 6.2.3) - comprobar el nivel del tanque (☛ 5.3.3) - comprobar el cableado del solenoide de apertura de carburante - verificar el filtro de la gasolina (☛ 6.4.4) <ul style="list-style-type: none"> - comprobar la fijación del capuchón de la bujía (☛ 6.4.5) - comprobar la limpieza y la correcta distancia entre los electrodos (☛ 6.4.5) <ul style="list-style-type: none"> - verificar el nivel del aceite motor y rellenarlo si fuera necesario (☛ 5.3.3)
5. Puesta en marcha dificultosa o funcionamiento irregular del motor	<ul style="list-style-type: none"> - problemas en el carburador 	<ul style="list-style-type: none"> - limpiar o sustituir el filtro del aire (☛ 6.4.3) - limpiar la cubeta del carburador (☛ 5.4.13) - vaciar el tanque e introducir gasolina fresca (☛ 5.4.13) - controlar y eventualmente cambiar el filtro de la gasolina (☛ 6.4.4)
6. La máquina no arranca	<ul style="list-style-type: none"> - transmisión no en "punto muerto" (N) con "Cruise Control" sin desactivar desde el uso precedente. 	<ul style="list-style-type: none"> - Poner la llave en «PARADA» - Desactivar el dispositivo "Cruise Control" (☛ 4.9) <p>Comprobar que el indicador luminoso en punto muerto (N) (4.13.j) se encienda en la pantalla.</p> <p>Si la anomalía persiste, contactar con su Concesionario.</p>
7. Disminución del rendimiento del motor durante el corte	<ul style="list-style-type: none"> - velocidad de avance elevada en relación a la altura del corte (☛ 5.4.5) 	<ul style="list-style-type: none"> - disminuir la velocidad de avance y/o aumentar la altura del grupo dispositivos de corte.
8. Acoplando los dispositivos de corte, el motor de apaga	<ul style="list-style-type: none"> - falta la aprobación para introducir los dispositivos de corte (☛ 5.2) <ul style="list-style-type: none"> - Dispositivos de corte acoplados con marcha atrás activada 	<ul style="list-style-type: none"> - sentarse correctamente (si la anomalía persiste, controlar el relativo microinterruptor) - comprobar que la bolsa de recolección o el sistema de seguridad de descarga estén correctamente montados (si la anomalías persiste, controlar el relativo microinterruptor) <ul style="list-style-type: none"> - Presionar el pulsador de aprobación corte en marcha atrás (☛ 4.7)
9. El dispositivo "Cruise Control" no se conecta (activa)		
10. El dispositivo "Cruise Control" no se desconecta (desactiva): - pulsando el mando tipo hongo (4.9) - accionando el pedal de marcha hacia delante (4.22) - accionando el pedal de freno (4.23)	<ul style="list-style-type: none"> - Los componentes del dispositivo están bloqueados o dañados 	<ul style="list-style-type: none"> - Poner la llave en «PARADA» - Contactar con su Concesionario.
11. El indicador de la batería no se apaga después de unos minutos de trabajo.	<ul style="list-style-type: none"> - recarga insuficiente de la batería 	<ul style="list-style-type: none"> - comprobar las conexiones

PROBLEMA	POSIBLE CAUSA	SOLUCIÓN
12. El indicador luminoso de la batería parpadea	<ul style="list-style-type: none"> – la batería está alcanzando el umbral de sobretensión 	<ul style="list-style-type: none"> – Poner la llave inmediatamente en «PARADA»; – Desconectar la batería; – Contactar con su Concesionario
13. El indicador de aceite se enciende durante el funcionamiento	<ul style="list-style-type: none"> – problemas de lubricación del motor 	Poner la llave inmediatamente en «PARADA»: <ul style="list-style-type: none"> – restaurar el nivel de aceite (➔ 5.3.3) – sustituir el filtro (si la anomalía persiste, contactar su Concesionario)
14. – Fallo en la calibración. Los indicadores luminosos de inclinación (4.13.I) parpadean alternativamente	<ul style="list-style-type: none"> – las condiciones de la máquina no se están respetando – calibración fuera de tiempo 	<ul style="list-style-type: none"> – Poner la llave en posición de «PARADA», verificar las condiciones de la máquina y contactar con su concesionario para volver a calibrar el sensor.
15. –Los indicadores luminosos de inclinación (4.13.I) a menudo se encienden de erróneamente	<ul style="list-style-type: none"> – error de funcionamiento del sensor 	<ul style="list-style-type: none"> – Contacte con su Concesionario
16. –Los indicadores luminosos (4.13.I) se encienden en condiciones de superficie plana o baja pendiente.	<ul style="list-style-type: none"> – la conducción no se está realizando en condiciones seguras – baja presión de los neumáticos – sensor de inclinación sin calibrar – problemas en la tarjeta electrónica 	<ul style="list-style-type: none"> – Conducir sin realizar acciones repentinas; arranque, parada y giro – verificar la presión de los neumáticos – contacte con su Concesionario – contacte con su Concesionario
17. Con la llave en posición de «MARCHA», el dispositivo USB no se recarga	<ul style="list-style-type: none"> – dispositivo mal conectado – dispositivo desconectado – error de funcionamiento del cable USB – temperatura de la toma USB demasiado elevada – batería no suficientemente cargada 	Poner la llave en la pos. «PARADA» y buscar las causas de la avería: <ul style="list-style-type: none"> – verificar la conexión del dispositivo – verificar la conexión del dispositivo – utilizar otro cable USB – esperar a que la toma se enfríe y volver a probar – verificar el voltaje de la batería y el sistema de recarga
18. El código de intervalo de mantenimiento no se visualiza cuando se alcanza el umbral de intervención. (▶ modelos HF2417•••)	<ul style="list-style-type: none"> – voltaje de la batería demasiado elevado 	<ul style="list-style-type: none"> – verificar el voltaje de la batería en la pantalla y esperar a que el valor de tensión descienda por debajo de los 12.7 V. Después, volver a probar.
19. El código de intervalo de mantenimiento y el relativo icono no pueden restablecerse aunque el motor esté apagado. (▶ modelos HF2417•••)		
20. Las horas de conducción (4.13.a.1) no quedan registradas (▶ modelos HF2417•••)	<ul style="list-style-type: none"> – regulador desconectado – avería en el regulador o en la tarjeta electrónica 	<ul style="list-style-type: none"> – verificar la conexión del regulador – verificar el voltaje de la batería con el motor encendido. Si el valor de tensión es inferior a 12.7, la avería afecta al regulador. Si el valor de tensión es superior a 12.7 V, la avería afecta a la tarjeta electrónica.
21. Las horas de conducción (4.13.a.1) no quedan registradas (▶ modelos HF2625•••)	<ul style="list-style-type: none"> – señal de las revoluciones del motor desconectada – avería en el motor o en la tarjeta electrónica 	<ul style="list-style-type: none"> – verificar la conexión de la señal de revoluciones del motor – verificar el valor numérico y el indicador gráfico de las revoluciones del motor en la pantalla con el motor encendido. Si el valor numérico y el indicador gráfico pueden visualizarse, la avería podría estar relacionada con la tarjeta electrónica. Si no se visualizan ninguno de los dos, la avería afecta al motor.
22. La luminosidad del faro LED principal disminuye durante la actividad.	<ul style="list-style-type: none"> – voltaje de la batería bajo – temperatura del dispositivo electrónico en el interior del conjunto faros demasiado elevada. 	Poner la llave en la pos. «PARADA» y buscar las causas de la avería: <ul style="list-style-type: none"> – verificar el voltaje de la batería y el sistema de carga – esperar un poco. Después, volver a arrancar.
23. El faro LED principal no se enciende en condiciones de oscuridad, con el faro de posición (luz de día) encendido.	<ul style="list-style-type: none"> – conector desconectado – cable mal conectado – problemas en la tarjeta electrónica – cableado dañado 	Poner la llave en la pos. «PARADA» y buscar las causas de la avería: <ul style="list-style-type: none"> – verificar las conexiones y los cables – contacte con su Concesionario
24. El faro de posición (luz de día) no se enciende	<ul style="list-style-type: none"> – conector desconectado – cable mal conectado – cableado dañado 	Poner la llave en la pos. «PARADA» y buscar las causas de la avería: <ul style="list-style-type: none"> – verificar las conexiones y los cables – contacte con su Concesionario

<p>25. El motor se para y se produce una señal acústica</p>	<p>Intervención de la protección de la tarjeta electrónica debido a:</p> <ul style="list-style-type: none"> - batería activada químicamente pero no cargada - sobretensión causada por el regulador de carga - batería mal conectada (contactos inseguros) - masa motor insegura 	<p>Poner la llave en la pos. «PARADA» y buscar las causas de la avería:</p> <ul style="list-style-type: none"> - recargar la batería (☛ 6.2.3) - contacte con su Concesionario - comprobar las conexiones (☛ 3.1) - comprobar la masa del motor
<p>26. El motor se para sin producir ninguna señal acústica</p>	<ul style="list-style-type: none"> - batería desconectada - falta de masa en el motor - anomalías en el motor 	<ul style="list-style-type: none"> - comprobar las conexiones (☛ 3.1) - comprobar la masa del motor - contacte con su Concesionario
<p>27. Los dispositivos de corte no se acoplan</p>	<ul style="list-style-type: none"> - correa aflojada - anomalías en el acoplamiento electromagnético 	<ul style="list-style-type: none"> - ajustar el regulador (☛ 6.3.3) - contacte con su Concesionario
<p>28. Corte irregular y recolección insuficiente</p>	<ul style="list-style-type: none"> - grupo dispositivos de corte no paralelo al terreno - ineficiencia de los dispositivos de corte - velocidad de avance elevada en relación a la altura de la hierba a cortar (5.4.5) - atascamiento del canal - el grupo dispositivos de corte está lleno de hierba 	<ul style="list-style-type: none"> - controlar la presión de los neumáticos (☛ 5.3.2) - restablecer la alineación del grupo dispositivos de corte con respecto al terreno (☛ 6.3.2) - controlar el correcto montaje de los dispositivos de corte (☛ 6.3.1) - afilar o sustituir los dispositivos de corte (☛ 6.3.1) - comprobar la tensión de la correa y el cable de acoplamiento del mando de los dispositivos de corte (☛ 6.3.3) - disminuir la velocidad de avance y/o aumentar la altura del grupo dispositivos de corte. - esperar que la hierba se seque - sacar la bolsa y vaciar el canal de expulsión (☛ 5.4.7) - limpiar el grupo dispositivos de corte (☛ 5.4.11)
<p>29. Vibración anómala durante el funcionamiento</p>	<ul style="list-style-type: none"> - los dispositivos de corte están desequilibrados - dispositivos de corte aflojados - fijaciones flojas 	<ul style="list-style-type: none"> - equilibrar o sustituir los dispositivos de corte si no están dañados (☛ 6.3.1) - comprobar que los dispositivos de corte estén bien fijados (☛ 6.3.1) - comprobar y apretar los tornillos de fijación del motor y del bastidor
<p>30. Con el motor en movimiento, accionando el pedal de la tracción la máquina no se desplaza</p>	<ul style="list-style-type: none"> - la palanca de desbloqueo en posición «B» (☛ 4.24) 	<ul style="list-style-type: none"> - llevarla a la posición «A»
<p>31. Dificultad de accionamiento de la palanca "mulching" (☑ modelos HF2417HM• - HF2417HT• HF2625H♦♦)</p>	<ul style="list-style-type: none"> - La palanca no se mueve (problema debido a la acumulación de hierba en el canal de expulsión o en el grupo dispositivos de corte) - el compartimento no se cierra correctamente 	<ul style="list-style-type: none"> - quitar el material depositado en el canal de expulsión y en el grupo dispositivos de corte - contactar con el distribuidor

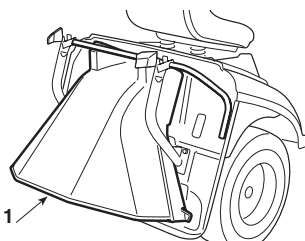
Si las anomalías perduran después de haber efectuado las operaciones descritas arriba, contacte con su Concesionario.

⚠ ¡ATENCIÓN! *No intente jamás efectuar reparaciones laboriosas sin poseer los medios y los conocimientos técnicos necesarios. Toda intervención mal ejecutada comporta automáticamente el vencimiento de la Garantía y el declino de la responsabilidad por parte del Fabricante.*

8. ACCESORIOS POR ENCARGO

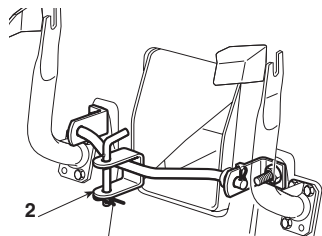
1. KIT SISTEMA DE SEGURIDAD DE DESCARGA 80609-VK1-003

Para usar en lugar de la bolsa de recolección, cuando la hierba no es recogida.



2. KIT SISTEMA DE SEGURIDAD DE DESCARGA 80596-VK1-003

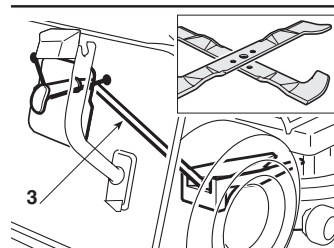
Para remolcar un remolque.



3. TAPÓN Y DISPOSITIVOS DE CORTE PARA "MULCHING"

HF2317: 80597-VK1-003
HF2417HB: 06805-VK1-A10

Para desmenuzar finamente el césped cortado y dejarlo en el prado como alternativa a la recogida en la bolsa.



⚠ ¡ATENCIÓN! *Para su seguridad está absolutamente prohibido montar cualquier otro accesorio además de lo incluidos en la lista de arriba indicada, proyectados expresamente APRA el modelo y el tipo de su máquina.*

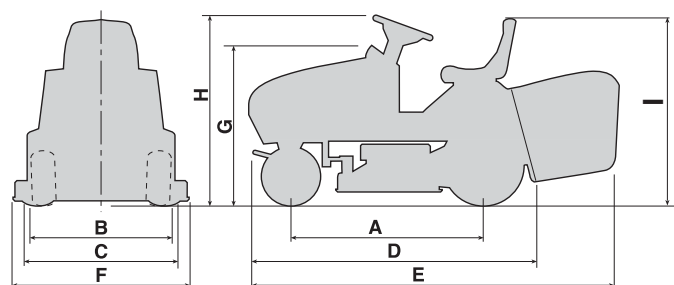
9. CARACTERÍSTICAS TÉCNICAS

MODELOS	HF2317HME	HF2417HBE	HF2417HME	HF2417HTE	HF2625HMEH	HF2625HTE
Función						
Instalación eléctrica	12V	12V	12V	12V	12V	12V
Batería	24 Ah	24 Ah	24 Ah	24 Ah	24 Ah	24 Ah
Motor: HONDA tipo	GCV530	GCV530	GCV530	GCV530	GXV690H	GXV690H
Sistema de refrigeración	Aire, ventilación forzada					
Número y disposición cilindros (4 tiempos)	2 / 90 ° V	2 / 90 ° V	2 / 90 ° V	2 / 90 ° V	2 / 90 ° V	2 / 90 ° V
Disposición válvulas	OHC	OHC	OHC	OHC	OHV	OHV
Cilindrada total	530 cm ³	530 cm ³	530 cm ³	530 cm ³	690 cm ³	690 cm ³
Potencia efectiva del motor (*)	11,3kW / 3600	11,3 kW / 3600	11,3 kW / 3600	11,3 kW / 3600	16,5 kW / 3600	16,5 kW / 3600
Potencia nominal del motor min ⁻¹	9,7 kW / 2800	9,7 kW / 2800	9,7 kW / 2800	9,7 kW / 2800	13,9 kW / 2800	13,9 kW / 2800
Velocidad de ejercicio	2800 min ⁻¹ (0,-150)	2800 min ⁻¹ (0,-150)	2800 min ⁻¹ (0,-150)	2800 min ⁻¹ (0,-150)	2800 min ⁻¹ (0,-150)	2800 min ⁻¹ (0,-150)
Tipo de carburante	Gasolina sin plomo E10					
Capacidad del cárter del aceite	1,1 litros	1,1 litros	1,1 litros	1,1 litros	1,7 litros	1,7 litros
Neumáticos anteriores	13 x 5,00-6	15 x 6,00-6	15 x 6,00-6	15 x 6,00-6	15 x 6,00-6	15 x 6,00-6
Neumáticos posteriores	18 x 8,50-8	18 x 8,50-8	18 x 8,50-8	18 x 8,50-8	18 x 8,50-8	18 x 8,50-8
Presión neumático anterior	1,5 bar	1,0 bar	1,0 bar	1,0 bar	1,0 bar	1,0 bar
Presión neumático posterior	1,2 bar	1,2 bar	1,2 bar	1,2 bar	1,2 bar	1,2 bar
Capacidad del depósito carburante	5,4 litros	5,4 litros	8,5 litros	8,5 litros	8,5 litros	8,5 litros
Masa en vacío (sin aceite ni carburante)	221 kg	243 kg	245 kg	256 kg	267 kg	276 kg
Velocidad de avance						
marcha hacia adelante	0 - 8,2 km/h	0 - 8,2 km/h	0 - 8,2 km/h	0 - 8,2 km/h	0 - 8,2 km/h	0 - 8,2 km/h
marcha atrás	0 - 4,2 km/h	0 - 4,2 km/h	0 - 4,2 km/h	0 - 4,2 km/h	0 - 4,2 km/h	0 - 4,2 km/h
Radio mínimo de hierba no cortada	1,0 m	1,0 m	1,0 m	1,0 m	0,8 m	0,8 m
Altura de corte	29 ÷ 80 mm	29 ÷ 90 mm	29 ÷ 90 mm	29 ÷ 90 mm	29 ÷ 90 mm	29 ÷ 90 mm
Anchura de corte	92 cm	102 cm	102 cm	102 cm	122 cm	122 cm
Capacidad de la bolsa de recolección	280 litros	300 litros	300 litros	300 litros	350 litros	350 litros
Accionamiento de la bolsa de recolección	manual	manual	manual	eléctrico	manual	eléctrico
Dimensiones (mm)						
A	1150	1150	1150	1150	1150	1150
B	835	880	880	880	880	880
C	950	950	950	950	950	950
D	1870	1870	1870	1870	1870	1870
E	2460	2460	2460	2460	2460	2460
F	960	1060	1060	1060	1250	1250
G	980	990	990	990	990	990
H	1100	1120	1120	1120	1120	1120
I	1290	1290	1290	1290	1290	1290
Emissiones de dióxido de carbono (CO ₂) (**)	Ver la "CO ₂ Information List" (lista de información sobre CO ₂) en www.honda-engines-eu.com/co2					

(**) La medida de CO₂ es el resultado de una prueba de ciclo fijo en condiciones de laboratorio de un motor (de referencia) que representa el tipo de motor (familia de motores) y no implicará ni demostrará la garantía del funcionamiento de un motor concreto.

Valores máximos de ruido y vibraciones

MODELOS	HF2317HME	HF2417HBE	HF2417HME	HF2417HTE	HF2625HMEH	HF2625HTEH	
Nivel de potencia acústica garantizado (2000/14/CE, 2005/88/CE)	dB(A)	100	100	100	100	105	105
Nivel de potencia acústica medido (2000/14/CE, 2005/88/CE)	dB(A)	100	100	100	100	103	103
Incertidumbre de medida	dB(A)	0,67	0,34	0,34	0,34	0,77	0,77
Presión acústica oído del operador (EN ISO 5395-1:2013 + A1:2018 / EN ISO 5395-3:2013 + A1:2017 + A2:2018)	dB(A)	85	85	85	85	89	89
Incertidumbre de medida	dB(A)	0,72	1,20	1,20	1,20	2,03	2,03
Valor efectivo de la aceleración en el asiento (EN ISO 5395-1:2013 + A1:2018 / EN ISO 5395-3:2013 + A1:2017 + A2:2018)	m/seg ²	0,8	0,8	0,8	0,8	0,7	0,7
Incertidumbre de medida	m/seg ²	0,30	0,24	0,24	0,24	0,18	0,18
Valor efectivo de la aceleración al volante (EN ISO 5395-1:2013 + A1:2018 / EN ISO 5395-3:2013 + A1:2017 + A2:2018)	m/seg ²	2,9	3,3	3,3	3,3	3,5	3,5
Incertidumbre de medida	m/seg ²	1,07	0,93	0,93	0,93	0,97	0,97



ES 30

(*) El valor de la potencia del motor indicado en este documento es la potencia efectiva erogada, testada en un motor de los modelos GCV530 y GXV690 de producción, medida según la norma SAE J1349 a 3600 rev/min. (Potencia efectiva) y a 2800 min⁻¹. (Potencia neta). Los motores fabricados en serie pueden tener valores diferentes. La potencia erogada por el motor montado en la máquina puede variar, respecto a numerosos factores, incluidos la velocidad de ejercicio del motor durante el uso, las condiciones del ambiente, el mantenimiento y otras variables.

10. ÍNDICE ALFABÉTICO

Abastecimientos		
Modo de abastecimiento	5.3.3	
Acelerador		
Función y uso	4.3	
Arranque		
Procedimiento para el arranque	5.4.1	
Asiento		
Descripción	2.2-8	
Regulación	5.3.1	
Batería		
Descripción	2.2-7	
Conexión	3.1	
Inactividad prolongada	5.4.13	
Mantenimiento y recarga	6.2.3	
Bolsa de recolección		
Descripción	2.2-4	
Mando de vuelco	4.11	
Montaje en la máquina	5.3.5	
Vaciado	5.4.6	
Regulación enganche.....	6.3.6	
Cambio de velocidad		
Marcha adelante	5.4.2	
Marcha atrás	5.4.4	
Canal de expulsión		
Descripción	2.2-3	
Vaciado	5.4.7	
Choke		
Función y uso	4.2	
Corte		
Regulación de la altura	4.6	
Corte marcha atrás.....	4.7	
Modo para el corte	5.4.5	
Fin del corte	5.4.9	
Consejos para el corte	5.7	
Función "Mulching"	5.4.8	
Dispositivos de corte		
Descripción	2.2-2	
Acoplamiento	4.8	
Desmontaje y afilado	6.3.1-b	
Regulación del acoplamiento	6.3.3	
Dispositivo de mantenimiento de la velocidad		
Función y uso	4.9	
Faros		
Mando de arranque	4.13-i, 4.13-i.1	
Sustitución de las lámparas.....	6.4.8	
Freno de estacionamiento		
Función de la palanca	4.5	
Freno		
Función del pedal	4.21	
Control de la eficacia	5.3.4	
Uso del freno	5.4.3	
Regulación	6.3.4	
Fusible		
Sustitución	6.4.9	
Grupo dispositivos de corte		
Descripción	2.2-1	
Lavado interno	5.4.11	
Extracción	6.3.1-a	
Alineación	6.3.2	
Indicadores luminosos		
Función	4.13	
Limpieza		
Modo de ejecución	5.4.11	
Llave		
Función	4.4	
Mantenimiento		
Modo de ejecución	6.1 - 6.2	
Motor		
Aceite motor	6.4.1	
Filtro del aceite	6.4.2	
Filtro del aire.....	6.4.3	
Filtro del carburante.....	6.4.4	
Bujía	6.4.5	
Mulching		
Palanca de activación	4.12	
Función	5.4.8	
Neumáticos		
Presión de inflado	5.3.2	
Reparación y sustitución	6.4.7	
Pedales de tracción		
Función de los pedales	4.22 - 4.23	
Marcha adelante	5.4.2	
Marcha atrás	5.4.4	
Pendientes		
Precauciones de uso	5.5	
Remolque		
Prescripciones	1.4	
Ruedas		
Sustitución	6.4.6	
Seguridad		
Normas generales	1.1	
Etiquetas y pictogramas	1.3	
Intervención de los dispositivos	5.2	
Control de la eficacia	5.3.6	
Señal acústica		
Función	4.13-o	
Intervención	5.4.6	
Sistema de seguridad de descarga		
Descripción	2.2-5	
Montaje en la máquina	5.3.5	
Toma auxiliar para accesorio USB		
Función	4.10	
Tracción a las ruedas		
Regulación de la correa	6.3.5	
Transporte		
Modo de ejecución	5.6	
Volante		
Función	4.1	

ÚVOD

Vážený zákazník,

ďakujeme Vám, že ste si vybrali jeden z našich výrobkov. Veríme, že pri použití vašej novej traktorovej kosačky budete úplne spokojný a že splní všetky vaše očakávania.

Tento návod bol napísaný, aby ste sa s vašim strojom zoznámili, a aby ste ho mohli bezpečne a efektívne používať. Nezabudnite, že tento návod je jeho neoddeliteľnou súčasťou, preto ho uschovajte v dosahu obsluhy, aby bol neustále k dispozícii a v prípade predaja stroja ho odovzdajte novému majiteľovi.

Vaša kosačka bola navrhnutá a vyrobená v súlade so súčasne platnými predpismi a je bezpečná a spoľahlivá, ak sa používa na kosenie a zber trávy pri dodržaní inštrukcií uvedených v tomto návode na obsluhu (**správne používanie**). Používanie kosačky na akýkoľvek iný účel, alebo nedodržanie pokynov pre bezpečné používanie, údržbu alebo opravy je považované za "**nesprávne používanie**" (☛ 5.1) ktorého dôsledkom je zánik záruky a odmietnutie zodpovednosti zo strany výrobcu za akékoľvek škody alebo zranenia osôb spôsobené takýmto používaním.

Keďže produkt sa neustále vylepšuje, môžete nájsť isté rozdiely medzi popisom v tomto návode a vašim strojom. Špecifikácie stroja môžu byť zmenené bez predchádzajúceho oznámenia a bez povinnosti aktualizácie návodu, avšak základné bezpečnostné a funkčné charakteristiky zostávajú nezmenené. V prípade akýchkoľvek nejasností neváhajte kontaktovať vášho predajcu. A teraz si užite prácu s kosačkou!

Popredajný servis

Tento návod poskytuje všetky potrebné informácie pre prevádzku stroja a pre správne základné postupy údržby, ktoré môže vykonávať užívateľ. Pre postupy neuvedené v tomto návode kontaktujte vášho predajcu.



Poznačte si model vášho stroja



Zapište si sériové číslo vášho stroja

AKO ČÍTAŤ TENTO NÁVOD

Niektoré odseky v návode obsahujú dôležité informácie týkajúce sa bezpečnosti a prevádzky a sú zdôrazňované týmto spôsobom:

POZNÁMKA

alebo

DÔLEŽITÉ

dáva ďalšie podrobnejšie informácie k tomu, čo už bolo spomenuté a sú zamerané na zabránenie poškodenia stroja.



POZOR!


V prípade nedodržania vznikne riziko zranenia obsluhy alebo iných osôb.




NEBEZPEČENSTVO!

V prípade nedodržania vznikne riziko zranenia alebo usmrtenia obsluhy alebo iných osôb.

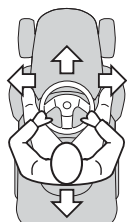
Tento návod popisuje niekoľko modelov stroja, ktoré sa môžu líšiť najmä v:
– typ prevodovky: s hydrostatickou prevodovkou s plynule nastaviteľnou rýchlosťou.
– špeciálnom vybavení a/alebo príslušenstve.

Symbol  poukazuje na rozdiely medzi typmi a nasleduje za ním indikácia ktorého typu sa informácia týka.

Symbol  odkazuje na inú časť návodu, kde možno nájsť ďalšie informácie alebo vysvetlenie.

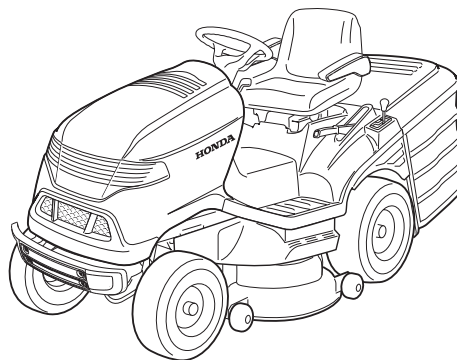
POZNÁMKA

Vždy keď sa odkazuje na pozíciu na stroji "vpredu", "vzadu", "vľavo" alebo "vpravo", vždy sa vzťahuje na pozíciu sediaceho operátora.



HONDA

PREKLAD PŮVODNÉHO NÁVODU NA POUŽITIE NÁVOD NA POUŽITIE Kosačka malotraktor HF2317 • HF2417 • HF2625



CE

INDEX

1. BEZPEČNOSTNÉ INŠTRUKCIE	2
Pokyny pre bezpečné používanie stroja	
2. IDENTIFIKÁCIA STROJA A JEHO ČASTÍ	5
Vysvetlenie ako identifikovať stroj a jeho hlavné časti	
3. VYBALENIE A MONTÁŽ	6
Vysvetlenie ako rozbaľiť stroj a zložiť jeho jednotlivé časti	
4. OVLÁDACIE PRVKY A KONTROLKY	8
Umiestnenie a funkcia všetkých ovládacích prvkov	
5. PREVÁDZKOVÉ INŠTRUKCIE	12
Poskytuje pokyny pre efektívnu a bezpečnú prevádzku	
5.1 Bezpečnostné odporúčania	12
5.2 Prečo bezpečnostné systémy vypínajú	12
5.3 Príprava pred začatím práce	13
5.4 Použitie stroja	14
5.5 Použitie na svahoch	17
5.6 Prepravná poloha	18
5.7 Rady ako dosiahnuť dobré kosenie	18
5.8 Zhrnutie hlavných krokov, ktoré dodržiavať pri používaní stroja	19
6. ÚDRŽBA	19
Všetky informácie pre udržiavanie stroja v najlepšom stave	
6.1 Bezpečnostné odporúčania	19
6.2 Pravidelná údržba	20
6.3 Kontroly a nastavenia	21
6.4 Demontáž a obnova dielov	24
7. ODSTRAŇOVANIE PORÚCH	27
Pomoc s rýchlym riešením problémov	
8. PRÍSLUŠENSTVO (DOPLNKOVÉ VYBAVENIE)	29
Popis voliteľného príslušenstva pre rôzne druhy prác	
9. TECHNICKÉ ŠPECIFIKÁCIE	30
Súhrn hlavných špecifikácií vášho stroja	
10. ABECEDNÝ INDEX	31
Kde nájsť informácie	

ADRESY HLAVNÝCH OBCHODNÝCH
ZASTÚPENÍ HONDA

"ES vyhlásenie o zhode"

PREHLÁD OBSAHU

SLOVENČINA

Honda France Manufacturing S.A.S.

Pôle 45 - Rue des Châtaigniers - 45140 ORMES - FRANCÚZSKO

Všetky práva vyhradené 10-2019 Vytlačené v Taliansku

1. BEZPEČNOSTNÉ INŠTRUKCIE

1.1 VŠEOBECNÉ BEZPEČNOSTNÉ INFORMÁCIE

▲ POZOR! **PRED POUŽITÍM STROJA SI DÔKLADNE PREČÍTAJTE NÁVOD NA POUŽITIE. Uchovajte pre neskoršiu potrebu.**

A) PREDPRÍPRAVA

1) POZOR! Pred použitím zariadenia si pozorne prečítajte návod na použitie. Oboznámte sa s ovládacími prvkami a správnym spôsobom použitia stroja. Naučte sa rýchlo zastaviť motor. Ignorovanie upozornení a nerespektovanie pokynov môže viesť k požiaru a/alebo vážnym zraneniam. Všetky upozornenia a pokyny uchovajte pre budúce použitie.

2) Nikdy nedovoľte obsluhovať stroj deťom, alebo osobám, ktoré neboli oboznámené s týmito inštrukciami. Miestne predpisy môžu obmedzovať minimálny vek užívateľa.

3) Nikdy nekoste, ak sú nablízku ľudia, najmä deti, alebo zvieratá.

4) Nikdy nepoužívajte stroj ak ste unavený, ak sa necítite dobre alebo ak ste požili lieky, alkohol alebo iné látky, ktoré môžu spomaliť vaše reflexy a ovplyvniť vaše rozhodovanie.

5) Berte na vedomie, že obsluhujúca osoba, alebo užívateľ je zodpovedný za nehody a nebezpečenstvo voči iným osobám alebo ich majetku. Je zodpovednosťou užívateľa, aby zhodnotil potenciálne riziká na mieste, kde sa bude pracovať a vykonať všetky potrebné kroky na zaistenie bezpečnosti jeho vlastnej ako aj iných, najmä na svahoch, hrboľatom, klzkom alebo nepevnom pozemku.

6) Ak stroj predáte alebo zapožičiate iným, ubezpečte sa, že si užívateľ prečítal pokyny obsiahnuté v tomto návode.

7) Nedovoľte deťom, ani iným osobám, aby sa vozili na stroji ako pasažieri, mohli by spadnúť a zraniť sa, alebo ohroziť bezpečnosť prevádzky.

8) Operátor stroja sa musí bezvýhradne riadiť pokynmi pre jazdu a to:

- Vyhybať sa rušeniu a udržať si koncentráciu pri práci;
- Majte na pamäti, že opätovnú kontrolu nad strojom šmýkajúcim sa po svahu nezískate stlačením brzdy. Hlavnými príčinami straty kontroly nad zariadením sú:
 - Nedostatočný záber kolies;
 - Príliš vysoká rýchlosť;
 - Nesprávne brzdenie;
 - Nevhodnosť stroja pre danú úlohu;
 - Nedostatok vedomostí o účinkoch, ktoré môžu vyplývať z terénnych podmienok, najmä na svahoch;
 - Nesprávne použitie stroja na ťahanie.

9) Stroj sa dodáva s množstvom mikrosopínačov a bezpečnostných zariadení, ktoré sa nesmú obchádzať ani odstraňovať; zanikla by tým záruka ako aj akákoľvek zodpovednosť výrobcu. Pred použitím stroja sa vždy presvedčte, že bezpečnostné zariadenia správne fungujú.

B) PRÍPRAVA

1) Pri použití stroja majte vždy obuté pevné pracovné topánky s protišmykovou podrážkou a oblečené dlhé nohavice. Stroj neprevádzkujte naboso, ani ak máte obuté otvorené sandále. Nikdy nenoste šály, košeľe, náhrdelníky, náramky, odev s voľnými časťami, šnúrkami alebo kravatami ani akékoľvek visiace alebo mávajúce doplnky, ktoré by sa mohli zachytiť do stroja alebo do predmetov alebo materiálu v pracovnej oblasti. Ak máte dlhé vlasy, zviažte si ich vzadu. Používajte zariadenia na ochranu sluchu.

2) Používanie chráničov sluchu môže znížiť schopnosť počuť akékoľvek varovania (krik alebo poplach). Dávajte pozor na to, čo sa deje okolo vás v pracovnej oblasti.

3) Pred kosením dôkladne preskúmajte plochu, ktorú budete kosiť a odstráňte z nej všetky predmety, ktoré by mohli byť odhodnené kosačkou, alebo ktoré by mohli poškodiť žacie zariadenie a motor (kamene, konáre, drôty, kosti a pod.)

4) POZOR: NEBEZPEČENSTVO! Benzín je vysoko horľavý.
– Palivo skladujte v schválených nádobách na bezpečnom mieste, mimo dosahu priameho svetla a zdrojov tepla. Zabráňte prístupu detí k nádobám.

- Palivo doplňajte použitím lievika a iba vonku; pri dopĺňaní paliva alebo pri manipulácii s ním nefajčite;
- Palivo doplňajte predtým ako spustíte motor; nikdy neotvárajte palivovú nádrž ani nedoplňajte palivo za behu motora ani keď je motor horúci;
- Ak ste vyliali nejaké palivo, neštartujte motor, ale prenesť stroj mimo oblasť s vyliatym benzínom a zabráňte tvorbe iskrenia v tejto oblasti, pokiaľ sa palivo neodparí a výpary paliva nerozptýlia;
- Uzávery nádob vždy nasadte naspäť a dobre dotiahnite;
- Nevdychujte výpary paliva.
- Nádobu s palivom otvárajte pomaly, aby sa tlak vnútri nádoby znížil postupne.
- Nikdy nespúšťajte stroj na rovnakom mieste, kde ste ho doplnili palivom; motor sa musí štartovať v oblasti najmenej 3 metre od miesta, kde ste dopĺňali palivo.
- Ak dôjde k rozliatiu paliva na odev, pred štartovaním si odev prezlečte.
- 5) Poškodený tlmíč výfuku vymeňte.
- 6) Pred použitím stroja skontrolujte jeho celkový stav a menovite: vzhľad žacieho zariadenia a skontrolujte či skrutky a žacie zariadenie nie sú opotrebované alebo poškodené. Vymeňte oba žacie nože a všetky poškodené alebo opotrebované skrutky, aby ste zaistili vyváženosť. Akékoľvek opravy musí vykonať špecializované stredisko.
- 7) Pravidelne kontrolujte stav batérie a vymeňte ju ak zistíte poškodenie na jej obale alebo kontaktoch.
- 8) Predtým, ako začnete pracovať, vždy nasadte kryty výstupu (zberný kôš, kryt zadného výstupu).

C) PRI PREVÁDZKE

1) Motor neprevádzkujte v uzavretých miestnostiach, kde by sa mohol hromadiť nebezpečný kyslíčnik uhoľnatý. Motor štartujte len na otvorených alebo dobre vetraných priestranstvách. Vždy myslite na to, že výfukové plyny sú jedovaté. Pri uvádzaní stroja do prevádzky nesmerujte tlmíč výfuku ani výfukové plyny smerom k horľavým materiálom.

2) Pracujte iba za denného svetla alebo za dobrého umelého osvetlenia iba za dobrej viditeľnosti. Nedovoľte, aby sa v pracovnej oblasti zdržiavali akékoľvek osoby, deti alebo zvieratá. Zabezpečte si ďalšieho dospelého, aby ste mohli udržiavať deti pod dohľadom.

3) Vyhnite sa práci s vlhkou trávou, za dažďa a ak je riziko búrky, najmä ak sa blízka.

4) Pred štartovaním motora odpojte žacie zariadenie alebo elektrickú zásuvku a dajte prevodovku do neutrálu.

5) Zvláštnu pozornosť venujte, keď sa blížite k prekážke, ktorá by mohla ovplyvniť viditeľnosť.

6) Keď odstavíte stroj použite parkovaciu brzdú.

7) Stroj sa nesmie používať na svahoch s viac ako 10° (17%) stúpaním, bez ohľadu na smer kosenia.

8) Zapamätajte si, že "bezpečný" svah neexistuje. Jazda po trávnatých svahoch si vyžaduje zvláštnu opatrosť. Aby ste predišli prevráteniu alebo strate kontroly nad strojom:

- Nezastavujte ani sa nerozbiehajte prudko pri jazde po svahu nahor alebo nadol.

- Spojku zaraďujte pomaly a dbajte o to, aby bol prevod vždy zaradený, najmä pri zjazde zo svahu nadol;

- Rýchlosť pohonu musí byť pri jazde na svahu a počas prudkých zmien smeru jazdy nízka;

- Dávajte pozor na nerovnosti povrchu ako sú hrbole, priehlbiny alebo iné skryté nástrahy;

- Nikdy nekoste priečne na svah. Trávnik na svahu sa musí kosiť smerom hore a dole a nikdy priečne. Pri zmene smeru dávajte veľký pozor, aby kolesá nenarazili na nejakú prekážku (ako kamene, konáre, korene a pod.), ktorá by mohla posunúť stroj do boku, prevrátiť alebo spôsobiť stratu kontroly.

9) Pred akoukoľvek zmenou smeru jazdy na svahu znížte rýchlosť a vždy keď opustíte stroj a necháte ho bez dozoru, zatahnite parkovaciu brzdú.

10) Buďte veľmi opatrný v blízkosti roklin, priekop alebo násypov. Stroj sa môže prevrátiť ak sa kolesá pošmyknú na okraji alebo ak sa zem zošmykne.

11) Maximálnu pozornosť venujte pri práci v spätnom chode. Pozerajte sa za seba a pred a počas práce v spätnom chode sa presvedčte, že tam nie sú žiadne prekážky.

12) Buďte opatrní ak ťaháte náklad, alebo ak používate ťažké zariadenia:

- Pri ťahaní použite iba schválené miesta pre zapojenie prívesu.
- Závaž obmedzte tak, aby ste ju mohli bezpečne ovládať.
- Nemeňte ostro smer jazdy. Pri cúvaní buďte opatrní.
- Vždy, keď to vyžadujú pokyny, použite vyrovnávacie závažie(a).

13) Pri prejazde oblastí bez trávy, pri jazde na alebo z miesta kosenia odpojte žacie zariadenie alebo elektrickú zásuvku a dajte žacie zariadenie do najvyššej polohy.

14) Ak používate stroj v blízkosti cesty, venujte pozornosť premávke:

15) **POZOR!** Tento stroj nebol schválený pre použitie na verejných komunikáciách. Podľa cestného zákona môže byť použitý len na uzavretých súkromných pozemkoch mimo premávky.

16) Stroj nikdy nepoužívajte s poškodenými, chýbajúcimi alebo nesprávne zloženými krytmi (zberný kôš, zadný kryt výstupu).

17) Pri štartovaní a používaní stroja vždy držte ruky a nohy mimo žacieho zariadenia. Pozor: žacie zariadenie sa bude ešte po odpojení alebo po vypnutí motora naďalej niekoľko sekúnd točiť. Udržiavajte bezpečnú vzdialenosť od výstupného otvoru.

18) V záujme predchádzania požiaru nenechávajte stroj odstavený so zapnutým motorom vo vysokej tráve.

19) Pri použití prípojného príslušenstva nikdy nemierte zariadením na ľudí.

20) Používajte iba výrobcom doporučené príslušenstvo.

21) Nepoužívajte stroj ak nie je príslušenstvo/náradie nainštalované na svojom mieste.

22) Zvláštnu pozornosť venujte pri použití zberného koša alebo príslušenstva, ktoré môže ovplyvniť stabilitu stroja, najmä na svahoch.

23) Nezasahujte do nastavenia motora, ani motor nepretáčajte do príliš vysokých otáčok.

24) Nedotýkajte sa častí motora, nakoľko sa pri prevádzke zohrievajú na vysokú teplotu. Nebezpečenstvo popálenia.

25) Odpojte žacie zariadenie alebo elektrickú zásuvku, zaradte neutrál a zatiahnite parkovaciu brzdu, vypnite motor a vyberte kľúč zapalovania (skontrolujte, že všetky mechanické časti sa úplne zastavili):

– Vždy, keď je stroj ponechaný bez dozoru alebo operátor zosadol zo sedačky:

- Pred čistením alebo uvoľňovaním výstupného kanála;
- Pred kontrolou, čistením alebo údržbou stroja;
- Po náraze na cudzí predmet. Skontrolujte stroj, či nie je poškodený, a pred jeho ďalším štartovaním vykonajte opravu.

26) Odpojte žacie nože alebo elektrickú zásuvku a vypnite motor (presvedčte sa, že sa všetky pohyblivé časti zastavili):

- Pred dopĺňaním paliva;
- Vždy, keď inštalujete alebo snímate zberný kôš na trávu;
- Vždy, keď inštalujete alebo snímate kryt výstupu;
- Pred nastavovaním výšky kosenia, ak toto nie je možné urobiť zo sedadla.

27) Odpojte žacie zariadenie alebo elektrickú zásuvku počas prepravy a vždy, keď stroj nie je používaný.

28) Pred zastavením motora znížte jeho otáčky. Po skončení práce odpojte prívod paliva podľa pokynov v návode k motoru.

29) Buďte opatrní pri žacích zariadeniach s viac ako jedným žacím nožom, nakoľko otáčanie žacieho noža môže spustiť otáčanie ostatných nožov.

30) Nikdy nevypínajte, nedeaktivujte, neodstraňujte ani nemanipulujte s nainštalovanými bezpečnostnými systémami/mikrospínačmi.

31) **POZOR** – Ak sa počas práce niečo pokazí, alebo dôjde k nehode, ihneď vypnite motor a odtlačte stroj preč, aby ste predišli ďalším škodám; ak dôjde k nehode so zranením, alebo ak bola zranená tretia osoba, ihneď poskytnite prvú pomoc a kontaktujte lekára. Opatrne odstráňte všetky zvyšky, ktoré by mohli spôsobiť poškodenie alebo zranenie osôb alebo zvierat ak by boli prehliadnuté.

32) **POZOR** – Úroveň hluku a vibrácií uvedený v tomto návode sú maximálne hodnoty pri použití tohto stroja. Použitie nevyváženého žacieho zariadenia, príliš vysoká rýchlosť pojazdu alebo nedostatočná údržba majú významný vplyv na hluk, emisie a

vibrácie. Preto je potrebné prijať preventívne opatrenia na elimináciu možného poškodenia v dôsledku vysokej úrovne hluku a vibrácií. Udržiavajte stroj v dobrom stave, používajte ochranné pomôcky na uši a pri práci si robte prestávky.

33) Počas kosenia trávy alebo za jazdy nepoužívajte príslušenstvo USB.

D) ÚDRŽBA A USKLADNENIE

1) **POZOR!** – Pred čistením alebo údržbou stroja vyberte kľúč zo zapalovania a prečítajte si príslušné inštrukcie. Oblečte si vhodné oblečenie a keď je to potrebné aj ochranné rukavice.

2) **POZOR!** – Nikdy nepoužívajte stroj s opotrebovanými alebo poškodenými dielmi. Poškodené alebo opotrebované diely musia byť vymenené za nové a nikdy nie opravované. Používajte iba originálne náhradné diely: použitie neoriginálnych a/alebo nesprávnych dielov ohrozuje bezpečnosť stroja, môže spôsobiť nehody alebo zranenia za ktorých v žiadnom prípade nenesie zodpovednosť výrobca.

3) Akékoľvek nastavenia alebo údržba, ktorá nie je popísaná v tomto návode musí byť vykonaná vašim predajcom alebo špecializovaným servisným strediskom s potrebnou znalosťou a vybavením, aby bolo zabezpečená pôvodná úroveň bezpečnosti stroja. Akékoľvek zásahy vykonané neautorizovanými strediskami alebo nekvalifikovanými osobami rušia akúkoľvek záruku, povinnosti a zodpovednosť výrobcu.

4) Po každom použití vyberte kľúč zapalovania a skontrolujte poškodenie.

5) Udržujte všetky matice a skrutky dotiahnuté, aby ste zaistili bezpečnú prevádzku zariadenia. Pravidelná údržba je dôležitá pre zaistenie bezpečnosti a udržiavanie vysokej úrovne výkonnosti.

6) Pravidelne kontrolujte, či sú skrutky žacieho zariadenia správne dotiahnuté.

7) Pri manipulácii, rozoberaní alebo skladaní žacieho zariadenia použite pracovné rukavice.

8) Pri ostrení žacích nožov zabezpečte ich vyváženie. Všetky práce na žacom zariadení (demontáž, ostrenie, vyvažovanie, inštalácia a/alebo výmena) vyžadujú istú úroveň skúsenosti a špeciálne náradie. Z bezpečnostných dôvodov je najlepšie prenechať tieto práce špecializovanému stredisku.

9) Pravidelne kontrolujte, či fungujú správne brzdy. Je vhodné, aby bola vykonávaná pravidelná údržba a v prípade potreby oprava brzd.

10) Často vykonávajte kontrolu bočných krytov, krytu výstupu, zberného koša a sacej mriežky. Vymeňte ich, ak sú poškodené.

11) Ak sú oznamovacie alebo výstražné štítky poškodené, vymeňte ich.

12) Pri uskladnení stroja alebo ak bude ponechaný bez dozoru, znížte žacie zariadenie.

13) Stroj uskladňujte mimo dosah detí.

14) Neuskladňujte stroj s palivom v nádrži na mieste, kde by mohli dôjsť palivové výpary do styku s otvoreným ohňom, iskrením alebo zdrojom vysokej teploty.

15) Pred uskladnením v uzavretom priestore nechajte motor vychladnúť.

16) Aby ste znížili riziko požiaru, udržiavajte motor, tlmič výfuku, okolie batérie a miesto uskladnenia paliva čisté, bez trávy, listov alebo nadmerného množstva mazív. Vždy po kosení vyprázdňte zberný kôš a nádoby naplnené trávou nenechávajte v skladovacej miestnosti.

17) Na zníženie nebezpečenstva vzniku požiaru pravidelne kontrolujte, či nedochádza k úniku oleja a/alebo paliva.

18) Ak je potrebné vypustiť z nádrže palivo, urobte tak na otvorenom priestranstve a pri vychladnutom motore.

19) Nikdy nenechávajte kľúče v zapalovaní alebo v dosahu detí alebo neautorizovaných osôb. Pred vykonávaním akejkoľvek údržby vždy vyberte kľúč zapalovania.

20) Pri nastavovaní stroja buďte opatrný, aby ste sa vyhli zachyteniu prstov medzi rotujúce časti žacieho zariadenia a pevné časti stroja.

E) PREPRAVA

1) POZOR! – Ak budete prepravovať stroj na vozíku, použite vhodné dimenzované nájazdové rampy pri jeho nakladaní. Stroj nakladajte s vypnutým motorom, bez obsluhujúcej osoby na sedadle len tlačением dostatočným počtom osôb. Počas prepravy spustite zostavu žacieho zariadenia alebo prídavné zariadenie, zatiahnite parkovaciu brzdu, umiestnite stroj tak, aby nespôsobil žiadne nebezpečenstvo osobám a pevne ho pripevnite k dopravnému prostriedku pomocou lán alebo reťazí, aby sa zabránilo jeho prevráteniu a poškodeniu a následnému úniku paliva.

F) OCHRANA ŽIVOTNÉHO PROSTREDIA

1) Pre spoločenské spolunažívanie aj životné prostredie by mala byť ochrana životného prostredia prioritou s vysokou dôležitosťou pri používaní tohto stroja. Vyhnite sa rušeniu susedného okolia.

2) Striktne dodržiavajte miestne zákony a nariadenia týkajúce sa likvidácie obalov, olejov, benzínu, filtrov, poškodených dielov alebo akýchkoľvek častí, ktoré môžu mať značný vplyv na životné prostredie; s takýmto odpadom nemožno nakladať ako s bežným komunálnym odpadom, musí sa separovať a likvidovať v špeciálne tomu účelu určených spracovateľských miestach, kde sa tento materiál recykluje.

3) Striktne dodržiavajte miestne zákony týkajúce sa likvidácie odpadu po kosení.

4) Pri likvidácii stroja neznečisťujte životné prostredie, ale odovzdajte ho určenému spracovateľovi odpadu v zmysle miestnych zákonov a nariadení.

1.2 IDENTIFIKÁCIA STROJOVÉHO ZARIADENIA A ROZSAH JEHO POUŽITIA

Tento stroj je záhradným náradím, presnejšie kosačka - malotraktor na ktorej sedí operátor.

Tento stroj je vybavený motorom, ktorý poháňa žacie zariadenie chránené krytom, ako aj prevodovku, ktorá poháňa stroj.

Operátor môže ovládať stroj pomocou hlavných ovládacích prvkov a vždy sedí na mieste operátora.

Zariadenia stroja zastavia motor a žacie zariadenie v priebehu niekoľkých sekúnd v prípade, že sa operátor nespráva v súlade s príslušnými bezpečnostnými opatreniami.

Určené použitie

Tento stroj bol navrhnutý a vyrobený na kosenie trávy.

Použitím špeciálneho príslušenstva dodávaného výrobcom ako originálne vybavenie, alebo ktoré možno zakúpiť samostatne, umožňujú túto prácu vykonať rôznymi spôsobmi, ako je zobrazené v tomto návode alebo v návode dodávanom s jednotlivým príslušenstvom.

Rovnako tak, určené použitie môže byť rozšírené o ďalšie funkcie, a to použitím doplnkového príslušenstva (ak je dodávané výrobcom), v zmysle obmedzení a podmienok uvedených v návode dodávanom s príslušenstvom.

Typy užívateľa

Tento stroj je určený pre použitie spotrebiteľmi, teda nováčikmi a/alebo neskúsenými užívateľmi a nie profesionálmi. Tento stroj je určený iba pre domáce použitie.

Nevhodné použitie

Akékoľvek iné použitie, ktoré nie je v súlade s vyššie uvedeným môže byť nebezpečné a môže ohroziť osoby a/alebo poškodiť majetok. Príkladmi nevhodného použitia môžu byť okrem iného:

– preprava osôb, detí alebo zvierat na stroji alebo na prípojnom vozíku;

- ťahanie alebo tlačenie nákladu bez použitia špecifikovaného príslušenstva na ťahanie;
- použitie stroja na jazdu cez nestabilné, klzké, zľadovatené, kamenisté, hrboľaté, močaristé povrchy alebo cez kaluže bez konzistencie povrchu;
- použitie žacieho zariadenia na plochách iných ako trávnatých;
- použitie stroja na zber lístia alebo nečistôt;

Nevhodné použitie stroja ruší záruku a zodpovednosť výrobcu a užívateľ bude následne zodpovedný za akúkoľvek škodu alebo zranenia spôsobené jemu alebo iným osobám.

1.3 BEZPEČNOSTNÉ ŠTÍTKY

Váš stroj sa musí používať s dostatočným stupňom opatrnosti. Preto sú na niektorých jeho častiach umiestnené štítky s piktogramami, ktoré vás upozorňujú na opatrenia, ktoré je nutné pri použití dodržať. Tieto štítky sú považované za neoddeliteľnú súčasť stroja. Ak niektorý zo štítkov odpadol, alebo je zle čitateľný, kontaktujte vášho predajcu, aby ho vymenil. Ich význam je vysvetlený nižšie.



- 1 = Pozor:** Pred použitím zariadenia si prečítajte návod na použitie.
- 2 = Pozor:** Pred vykonaním akejkoľvek údržby alebo opráv vyberte kľúč zapalovania a prečítajte si inštrukcie.
- 3 = Nebezpečenstvo! Vymrštené predmety:** Nepoužívajte kosačku bez nasadeného zberného koša na trávu alebo nasadeného krytu výstupného otvoru.
- 4 = Nebezpečenstvo! Vymrštené predmety:** Zabezpečte bezpečnú vzdialenosť osôb.
- 5 = Nebezpečenstvo! Prevrátenie stroja:** Kosačku nepoužívajte na svahoch so sklonom väčším ako 10°.
- 6 = Nebezpečenstvo! Rozdelenie:** Zabezpečte, aby sa v čase keď beží motor v blízkosti stroja nezdržovali deti.
- 6a =** Nenasadajte na stroj tak, že sa postavíte na žacie zariadenie.



- 7 = Nebezpečenstvo porezania sa.** Rotujúce žacie nože. Nedávajte končatiny do blízkosti alebo pod otvor žacieho zariadenia.
- 8 = Pozor:** Nikdy neobchádzajte mikrospinač.
- 9 = Vyhnite sa zraneniam spôsobeným pohybujúcimi sa remeňmi:** Nikdy neštartujte stroj bez nainštalovaných bezpečnostných krytov. Dodržiavajte bezpečnú vzdialenosť medzi vami a remeňmi.



10 = **Pozor:** Pred použitím zariadenia si prečítajte návod na použitie.

11 = **Pozor:** Motor vypúšťa oxid uhoľnatý, čo je jedovatý toxický plyn. Nespúšťajte v uzavretom priestore.

12 = **Pozor:** Benzín je extrémne horľavý a výbušný. Pred dopĺňaním paliva vypnite motor a nechajte ho vychladnúť.



13 = **Pozor:** Počas prevádzky sa tlmivč výfuku veľmi zahreje a zostane určitý čas horúci aj po zastavení motora.



14 = **Toto je recyklovateľný výrobok.** Obsahuje olovo. Neohrozujte životné prostredie a likvidujte ho spôsobom, ktorý je v súlade s platnou legislatívou.



15 = **Horľavé výpary** - Zabráňte kontaktu s otvoreným ohňom.

16 = Použite ochranné okuliare.

17 = Zabráňte prístupu detí k stroju.

18 = **Korozívna kvapalina.** Ak sa dostane kvapalina do kontaktu s očami, ihneď oči vypláchnite vodou a kontaktujte lekára.

19 = Prečítajte si pokyny pre použitie.

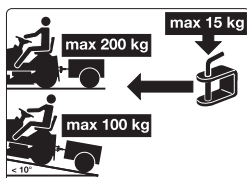
20 = Riziko výbuchu.

1.4 PREDPISY PRE ŤAHANIE

Na požiadanie je k dispozícii sada pre ťahanie malého prívesu. Táto sada sa musí namontovať podľa dodaných pokynov.

Pri použití sady na ťahanie neprekračujte doporučené najvyššie zaťaženie uvedené na štítku a dodržiavajte bezpečnostné inštrukcie (☛ 1.2, C-6).

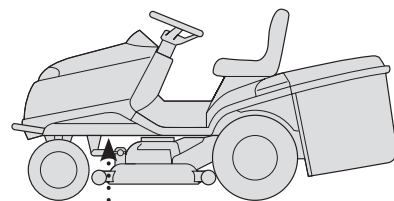
Najvyššia celková hmotnosť prívesu: na vodorovnom povrchu:
200 kg alebo menej na svahu (10° alebo menej):
100 kg alebo menej



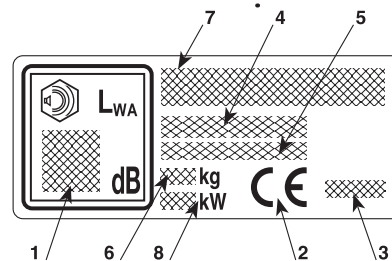
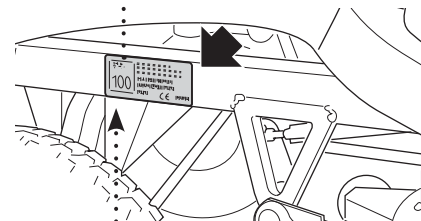
2. IDENTIFIKÁCIA STROJA A JEHO ČASTÍ

2.1 IDENTIFIKÁCIA STROJOVÉHO ZARIADENIA

Informačný štítok umiestnený na ľavej strane rámu obsahuje základné informácie o každom stroji.



Výrobné číslo (5) budete musieť poskytnúť, keď budete žiadať technickú pomoc, alebo objednávať náhradné diely.



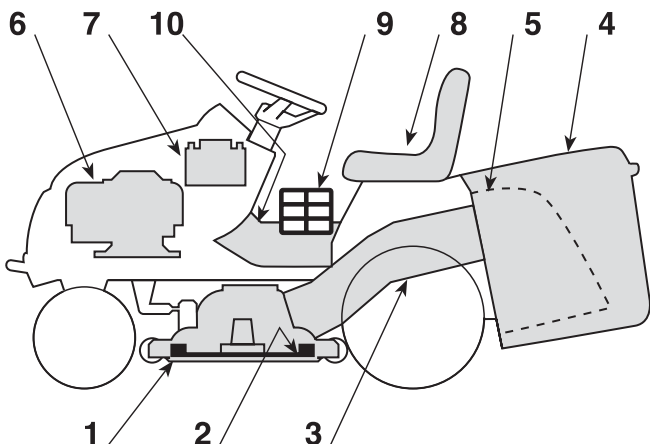
1. Hladina akustického hluku podľa smernice 2000/14/ES, 2005/88/ES
2. Značka zhody podľa smernice 2006/42/ES, 2005/88/ES, 2014/30/EÚ
3. Rok výroby
4. Model a typ stroja
5. Výrobné číslo
6. Hmotnosť v kilogramoch (s prázdnu nádržou)
7. Názov a adresa výrobcu sú uvedené v PREHLADE OBSAHU "ES vyhlásenie o zhode" v tomto návode na obsluhu.
8. Nominálny výkon motora (pri 2.800 ot.min⁻¹)

AKO ROZPOZNÁTE VÁŠ STROJ

V tomto návode je popísaná príprava, použitie a údržba rôznych strojov s množstvom rozdielnych vybavení. Je preto dôležité vedieť jednoznačne identifikovať model vášho stroja, aby ste mohli o ňom čítať informácie.

Model vášho stroja je uvedený na identifikačnom štítku v bode 4 a skladá sa z písmen a čísel.

Na nasledujúcich stranách tohto návodu je vopred uvedený model, alebo modely, ktorých sa informácia týka. V prípade chýbajúcej indikácie modelu sa informácia týka všetkých modelov.



2.2 IDENTIFIKÁCIA HLAVNÝCH ČASTÍ

Stroj sa skladá z radu hlavných častí, ktoré majú nasledujúce funkcie:

- 1. Zostava žacieho zariadenia:** toto je to ochranný kryt s rotačnými žacími nožmi.
- 2. Žacie zariadenie:** tieto kosia trávu; krídelká na koncoch pomáhajú dopravovať pokosenú trávu do zberného koša.
- 3. Výstupný kanál:** je to časť spájajúca žacie zariadenie so zberným košom.
- 4. Zberný kôš:** okrem jeho funkcie zberu pokosenej trávy je zároveň bezpečnostným prvkom, ktorý zastaví pevné predmety vymrštené žacím zariadením zo stroja.
- 5. Kryt zadného výstupného otvoru** (k dispozícii na požiadanie): môže sa umiestniť namiesto zberného koša, aby sa zabránilo vymršteniu pevných predmetov žacím zariadením.
- 6. Motor:** poháňa žacie zariadenie a hnané kolesá.
- 7. Batéria:** poskytuje elektrický prúd pre štartovanie motora. Jej špecifikácie a informácie pre použitie sú opísané v samostatnej príručke.
- 8. Sedadlo obsluhy:** tu sedí obsluhujúca osoba. Má snímač pripojený k bezpečnostným zariadeniam na zisťovanie prítomnosti obsluhy.
- 9. Predpisy a bezpečnostné štítky:** pripomínajú hlavné predpisy pre bezpečnú prácu, všetky sú vysvetlené v kapitole 1.
- 10. Prístupový kryt:** umožňuje ľahký prístup pre niektoré nastavenia.

3. VYBALENIE A MONTÁŽ

Pre účely skladovania a prepravy nie sú niektoré časti zariadenia nainštalované vo výrobnom závode a musia byť nainštalované po vybalení. Postupujte podľa inštrukcii nižšie.

POZOR! *Vybalenie a zloženie zariadenia by sa malo vykonať na plochoh a stabilnom povrchu, s dostatočným priestorom pre manipuláciu a vybalenie zariadenia a s použitím vhodného náradia. Nepoužívajte stroj, kým nie sú splnené všetky pokyny uvedené v časti "ZLOŽENIE".*

3.1 AKTIVOVANIE A ZAPOJENIE BATÉRIE

DÔLEŽITÉ SUCHÁ BATÉRIA!

Batéria (1) je umiestnená za motorom a je zaistená popruhom (2).

Odopnite popruh (2) a vyberte batériu.

Odstráňte tesniacu pásku a nalejte do batérie elektrolytický roztok (3) (zriedená kyselina sírová nie je súčasťou balenia: špecifická hmotnosť 1.280), rovnomerne ho nalejte do šiestich článkov, až kým na batérii nedosiahne značku "HORNÁ HLADINA".

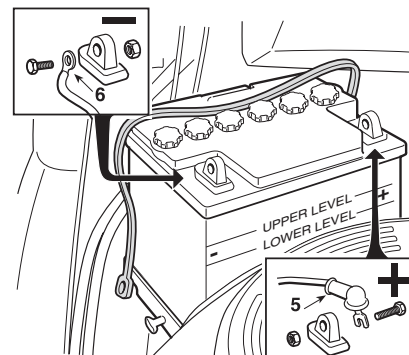
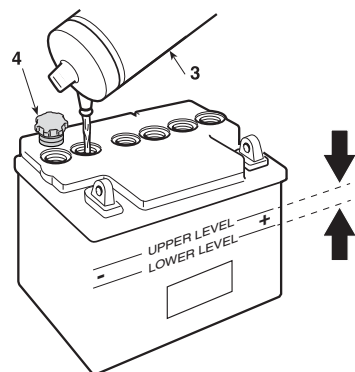
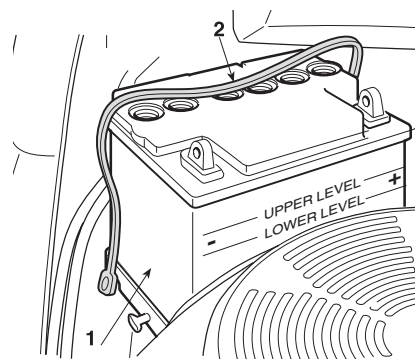
DÔLEŽITÉ Počas procesu plnenia nesmie roztok elektrolytu prekročiť 30°C.

Po plnení nechajte batériu odstáť aspoň pol hodinu. Hladina elektrolytického roztoku by mala poklesnúť. Znovu nalejte elektrolytický roztok po referenčnú značku "HORNÁ HLADINA".

Je dôležité, aby hladina zostala vždy medzi referenčnými značkami "HORNÁ HLADINA" a "DOLNÁ HLADINA" na batérii.

Nasaďte a dotiahnite šesť uzáverov (4) a nabite batériu.

DÔLEŽITÉ Po aktivácii batériu udržiavajte batériu vždy úplne nabitú s pomocou vášho predajcu, ktorý má na to vhodné vybavenie. Nabíjačka NEDOKÁŽE nabiť batériu na prvý krát po aktivácii batérie.



Najprv zapojte červený kábel (5) na plusový kontakt (+) potom čierny kábel (6) na mínusový kontakt (-) pomocou dodaných skrutiek, ako je zobrazené. Aplikujte silikónovú vazelinu na kontakty a skontrolujte či je ochranný kryt červeného kábla (5) na svojom mieste.

DÔLEŽITÉ

Aby ste sa vyhli zablokovaniu bezpečnostného zariadenia v doske s elektronickými obvodmi, nikdy neštartujte motor, ak nie je batéria plne nabitá!

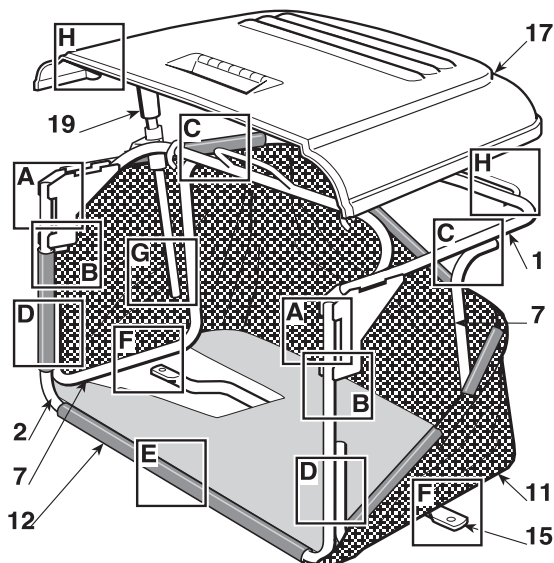
POZOR!

Elektrolyt je korozívna a životné prostredie znečisťujúca kvapalina. Pri manipulácii s batériou noste ochranné rukavice a likvidáciu batérie vykonajte v súlade s platnými predpismi.

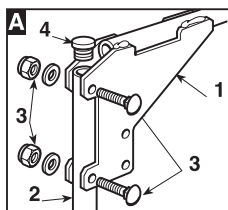
DÔLEŽITÉ

Použite IBA špecifickú batériu CNB 31500-VK1-810-M1.

3.2 ZLOŽENIE ZBERNÉHO KOŠA TRÁVY

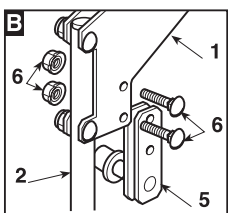


A) Pribalenými skrutkami a maticami (3) spojte hornú časť rámu (1) s prednou časťou (2), ako je zobrazené. Dve gumené záslepky (4) nasadte do trubice predného rámu (2).



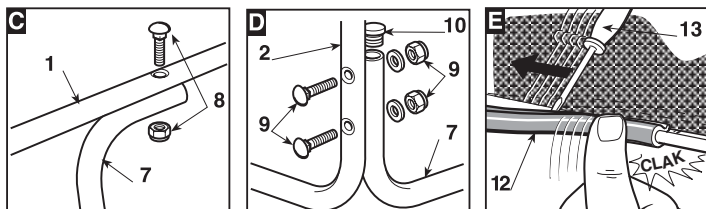
HF2...HT

B) Pred úplným dotiahnutím matic (3), vložte dve podpery (5) medzi horné platne rámu (1), s valčekmi smerujúcimi dovnútra a zaistite ich skrutkami a maticami (6); potom dotiahnite matice (3).



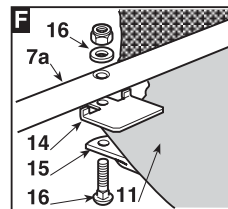
C-D) Namontujte dve bočné časti rámu (7), použitím skrutiek a matic (8 a 9), ako je zobrazené. Do dier dvoch bočných častí rámu (7) nasadte dve gumené záslepky (10).

E) Vložte zložený rám do pláteneho krytu (11) a presvedčte sa, že je správne umiestnený v základovom obvode. Pomocou skrutkovača (13) nasadte plastické profily (12) na trubky rámu.

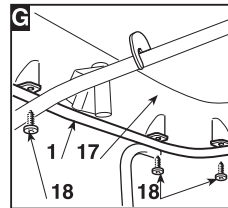


HF2...HB HF2...HM

F) Dosku (14) umiestnite medzi plátno a spodnú časť pravej strany rámu (7a), pričom zarovnajajte diery.



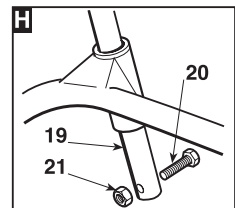
F) Pripojte výstužnú tyč (15) pod rám použitím skrutiek a matic (16) a udržiavaním plochej časti otočenej k plátnu.



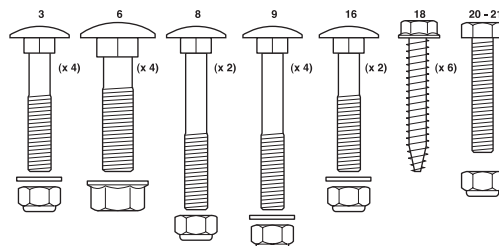
G) Namontujte kryt (17) a pomocou šiestich skrutiek (18) ho pripevnite k hornej časti rámu (1).

HF2...HB HF2...HM

H) Vložte vyprázdňujúcu páku (19) do svojej polohy a nainštalujte dorazovú skrutku (20) s jej maticou (21).

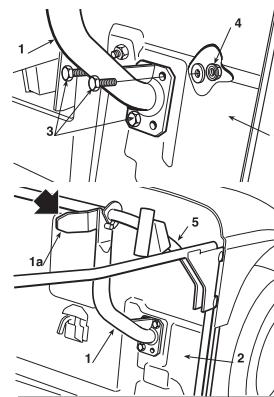


3.3 MONTÁŽ DRŽIAKOV ZBERNÉHO KOŠA TRÁVY



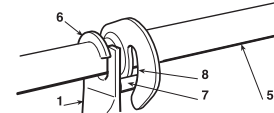
Dva držiaky (1) namontujte na zadnú dosku (2), použitím troch pribalených skrutiek pre každý držiak (3), ako je zobrazené, ale matice (4) nedotahujte úplne.

Držiaky (1) musia byť namontované tak, aby rebrá (1a) smerovali dovnútra.



Upevnite k podperám hornú časť (5) rámu zberného koša a vystredte ju so zadnou doskou (2).

Nastavte polohu oboch držiakov (1) vo vzťahu k štrbine (6) tak, že otočením rámu zberného koša zasunúť kolíky (7) na miesto (8).

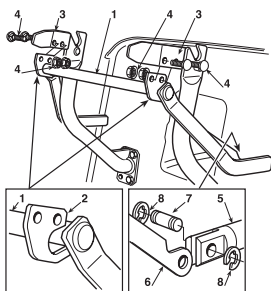


Opäť skontrolujte, či je rám (5) správne vystredený vzhľadom na zadnú dosku (2) a či sa rotačný pohyb vykonáva úplne, ako je uvedené vyššie, potom pevne utiahnite skrutky (3) a upevňovacie matice (4).

3.4 MONTÁŽ PÁK NA SKLÁPANIE ZBERNÉHO KOŠA

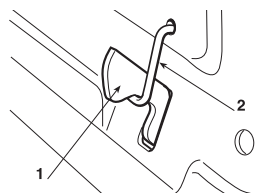


- Namontujte hriadeľ páky (1) do drážky medzi dvoma doskami (2) a pripevnite ich k vnútorným držiakom zberného koša (3) pomocou dodaných matíc a skrutiek (4), ako je to znázornené v poradí na obrázku.
- Zapojte koniec tyče (5) zdvíhacieho piestu na páku (6) s kolíkom (7) a nasadte dva poistné krúžky (8).
- Pred nasadením zberného koša trávy na jeho držiaky sa presvedčte, že sklápacia páka sa hýbe správne.

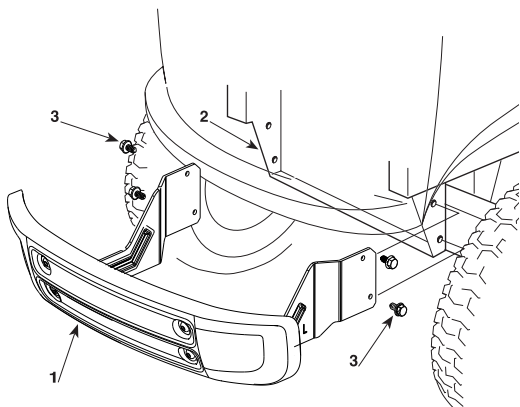


3.5 ODSTRÁNENIE DRŽIAKA PRUŽINOVEJ ZÁPADKY ZBERNÉHO KOŠA

Z prepravných dôvodov je pružina západky zberného koša (1) pripevnená k zadnej doske pomocou držiaka (2). Tento držiak musí byť odstránený pred nasadením zberného koša a už sa nesmie použiť.

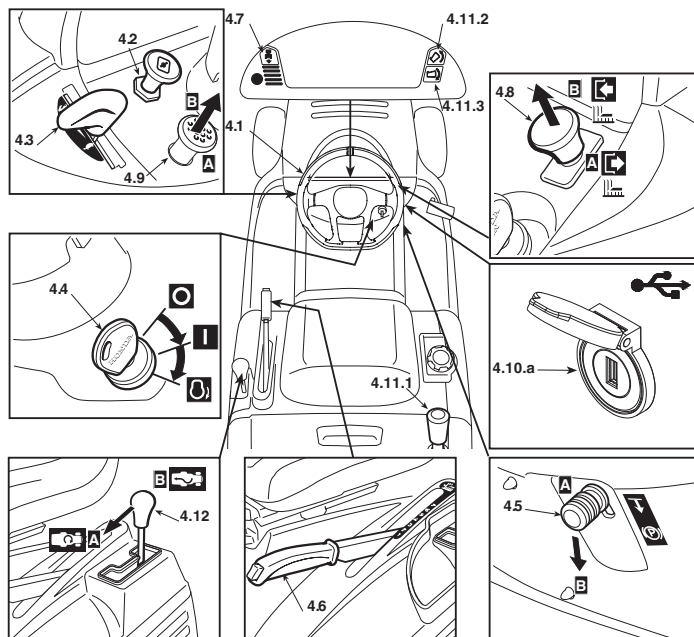


3.6 NAMONTOVANIE PREDNÉHO NÁRAZNÍKA



Namontujte predný nárazník (1) na spodnú časť rámu (2) pomocou štyroch skrutiek (3).

4. OVLÁDACIE PRVKY A KONTROLKY



4.1 VOLANT

Vytáča predné kolesá.

4.2 OVLÁDANIE SÝTIČA

☞ Používa sa pri štartovaní studeného motora. Obohacuje zmes a musí sa použiť po nevyhnutnú dobu.

4.3 PÁČKA PLYNU

Nastavte otáčky motora. Jej polohy sú označené na štítku nasledovnými symbolmi:

☞ "POMALY" pre najnižšie otáčky motora

☞ "RÝCHLO" pre najvyššie otáčky motora

– Pri prechádzaní z jedného miesta na druhé, dajte páčku do polohy medzi "POMALY" a "RÝCHLO".

– Keď kosíte, prepnite do "RÝCHLO".

4.4 KLÚČ ZAPALOVANIA

Kľúčom ovládaná spinacia skrinka má tri polohy:

○ "VYPNUTÝ" všetko je vypnuté;

I "ZAPNUTÝ" aktivujú sa všetky obvody;

☞ "ŠTART" Spúšťa štartér na spustenie motora.

Po pustení kľúča z polohy "ŠTART" sa automaticky vráti do polohy "ZAPNUTÝ".

4.5 PÁKA PARKOVACEJ BRZDY

Táto páka slúži na zabrzdzenie stroja pri odstavení. Má dve polohy:

↓ "A" = Brzda je odpojená

Ⓟ "B" = Brzda zapojená

- Brzda sa aktivuje úplným stlačením pedálu (4.21) a prepnutím páky do polohy "B". Keď potom pustíte nohu z pedálu, páka brzdy zostane zablokovaná v dolnej polohe.
- Stav "Brzda zapojená" je znázornený rozsvietením kontrolky (4.13.e).
- Pre odbrzdzenie parkovacej brzdy stlačte pedál (4.21). Páčka sa vráti do polohy "A".

4.6 PÁKA NASTAVENIA VÝŠKY KOSENIA

Táto páka sa používa na zdvíhanie alebo spúšťanie žacieho zariadenia do jednej zo 7 rôznych výšok kosenia.

1

7



Sedem polôh tejto páky označených číslicami "1" až "7" na štítku zodpovedajú rôznym výškam kosenia ktorých hodnoty sú uvedené v tabuľke "Technické charakteristiky" (☛ kap. 10).

- Pri zmene nastavenia výšky kosenia, stlačte poistné tlačidlo na konci páky.

4.7 TLAČIDLO SÚHLASU PRE KOSENIE V SPÄTNOM CHODE



Stlačením a podržaním tlačidla je možné zaradiť spätný chod a cúvať s rotujúcimi žacími nožmi, bez toho, aby sa motor zatavil.

4.8 ZAPOJENIE ŽACIEHO ZARIADENIA A OVLÁDANIE BRZDY

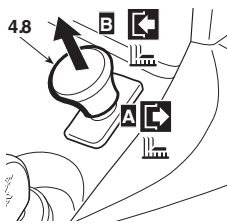
Toto tlačidlo tvaru hríba vám umožňuje spustiť žacie zariadenie pomocou elektromagnetickej spojky:



→ "A" Zatlačené
= Žacie zariadenie odpojené



← "B" Vytiiahnuté =
Žacie zariadenie zapojené



- Stav "Žacie zariadenie zapojené" je indikovaný keď sa rozsvieti indikátor (☛ 4.13.g).
- Ak spustíte žacie zariadenie bez splnenia bezpečnostných podmienok, motor sa zastaví a nedá sa naštartovať (☛ 5.2).
- Pri odpojení žacích nožov (poloha "A"), sa súčasne aktivuje brzda, ktorá zastaví ich rotáciu v priebehu niekoľkých sekúnd.
- Spustiť žacie zariadenie v spätnom chode je možné iba stlačením tlačidla 4.7.

4.9 TEMPOMAT



HF2417HM•

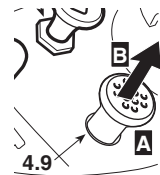
HF2417HT•

HF2625H♦•

- Toto zariadenie udržuje stroj na požadovanej rýchlosti jazdy bez toho, aby bolo potrebné tlačiť pedál (4.22).
- Tlačidlo tvaru hríba má dve polohy:



1. "A" = **Zatlačený**. Zariadenie odpojené (vypnuté)
2. "B" = **Vytiiahnutý**. Zariadenie zapojené (zapnutý)



- – Ak zapnete zariadenie počas jazdy, stroj si udrží rýchlosť dosiahnutú v tom čase bez toho, aby ste museli tlačiť pedál (4.22).
- – Zariadenie sa nemôže použiť pri spätnom chode.
- – Keď je zariadenie zapojené, nie je možné ovládať pedál spätného chodu (obr. 4.23).
- – Pri úsekoch do kopca alebo z kopca sa rýchlosť môže líšiť od rýchlosti nastavenej na rovnom povrchu.
- Na vypnutie zariadenia a resetovanie ovládanie rýchlosti pedálom (4.22), jednoducho
 - stlačte pedál (4.22);
 - alebo
 - stlačte brzdový pedál (4.21).
- V oboch prípadoch sa tlačidlo tvaru hríba automaticky vráti do polohy "Stlačené".

4.10.a PRÍDAVNÝ VÝSTUP PRE PRÍSLUŠENSTVO USB



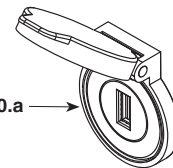
HF2417HM•

HF2417HT•

HF2625H♦•

- Tento výstup môže nabíjať USB zariadenia. Používa sa iba na nabíjanie.
- Tento výstup nemá žiadnu komunikačnú funkciu so zapojeným USB zariadením.

4.10.a



- Výstup je živý iba keď je kľúč (4.4) v polohe "ZAPNUTÝ".
- Zariadenia USB nabíjajte pri spustenom motore, aby sa predišlo vybitiu batérie.
- Nenabíjajte USB príslušenstvo vo vlhkých podmienkach alebo za dažďa. Ak by ste nabíjali v týchto podmienkach, záruka stráca platnosť a výrobca nezodpovedá za žiadne problémy.
- Neotvárajte zátku USB za dažďa ani v prašnom prostredí.
- Nepoužívajte žiadne zariadenie počas kosenia alebo za jazdy.
- Pred zapojením zariadenia na prídavný výstup sa presvedčte, že všetky potrebné údaje boli uložené.
- Ak by došlo k vymazaniu dát pri používaní USB výstupu, výrobca za to nenesie žiadnu zodpovednosť.

4.10.b DRŽIAK USB PRÍSLUŠENSTVA

▶ **HF2417HM• HF2417HT• HF2625H•**

Podpora pre držanie USB príslušenstva

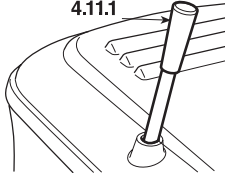


4.11 OVLÁDANIE NAKLOPENIA ZBERNÉHO KOŠA

▶ **HF2...HB• HF2...HM•**

Zberný kôš možno naklopiť a vyprázdniť potiahnutím páky (4.11.1), ktorú možno vytiahnuť z krytu koša.

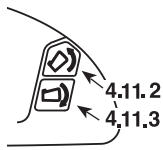
4.11.1



▶ **HF2...HT•**

Na vyprázdnenie zberného koša stlačte tlačidlo (4.11.2) a podržte ho, kým kôš nedosiahne najvyššiu polohu. (☛ 5.4.6).

Zberný kôš sa vráti späť do pracovnej polohy stlačením a podržaním tlačidla (4.11.3), až pokým západka nezapadne na miesto a nezastaví sa ovládací motor.



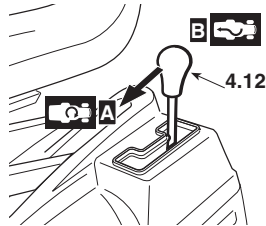
4.12 PÁKA ZAPNUTIA "MULČOVANIA"

▶ **HF2417HM• HF2417HT• HF2625H•**

"Mulčovanie" sa zapína pákou.

"A" = funkcia zapnutá

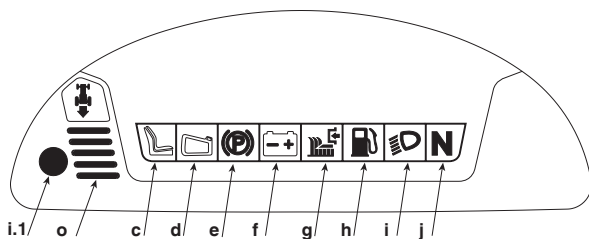
"B" = funkcia vypnutá



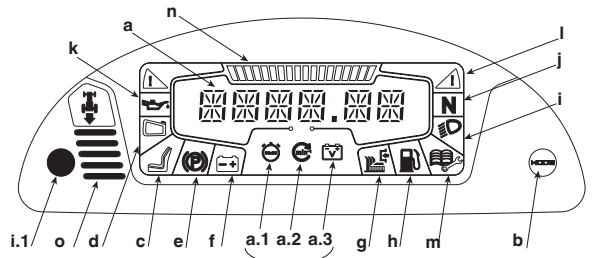
- Pákou sa môže hýbať iba pri odpojení žacím zariadením.
- So spustenou funkciou "mulčovanie" musí byť vždy nasadený kryt výstupného otvoru (zberný kôš alebo kryt výstupného otvoru) (☛ 5.3.5).

4.13 INDIKÁTORY A ZVUKOVÉ VÝSTRAŽNÉ ZARIADENIE NA OVLÁDACOM PANELI

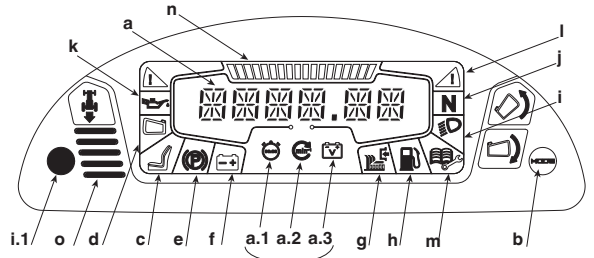
▶ **HF2317...•**



▶ **HF2417HB•/HM• HF2625HM•**



▶ **HF2417HT• HF2625HT•**



Keď otočíte kľúčom (4.4) do polohy "ZAPNUTÝ", všetky svetlá sa rozsvietia súčasne približne na jednu sekundu (so stručnou zvukovou výstrahou), čo znamená, že stroj pracuje správne.

Displej (a) vstúpi do "informačného" režimu a pomocou tlačidla MODE (b) je možné zvoliť nasledujúce funkcie:

- **a.1) Počítadlo hodín:** Alfnumerické číslice zobrazujú počet hodín jazdy rozdelené na hodiny a desatiny hodín.
Za mernou jednotkou nasleduje písmeno h;

▶ **HF2625...•**


- **a.2) Počítadlo otáčok:** Zobrazuje otáčky motora pomocou číselných hodnôt.
Zobrazovaná hodnota:
< 1.600 min⁻¹ otáčok motora pri najnižšej rýchlosti
> 2.600 min⁻¹ otáčky za jazdy, otáčky pri kosení
- **a.3) Voltmeter:** Alfnumerické číslice zobrazujú napätie batérie.

Krátko stlačte tlačidlo MODE a uvoľnite ho, aby sa postupne zapínali ikony a.1, a.2, a.3. Alfnumerické číslice na displeji zobrazujú údaje spojené s vybranou ikonou, posledná číslica je rezervovaná pre meraciu jednotku.

Nepoužívajte merač otáčok na nastavenie otáčok motora.

Potom, keď sa indikátor rozsvieti, znamená to, že:

- c) operátor nie je na mieste;
- d) zberný kôš chýba;
 - Ak bliká, znamená to, že zberný kôš je plný a je potrebné ho vyprázdniť.
- e) parkovacia brzda zatahnutá;
- f) Batéria nie je úplne nabitá: Vyhľadajte príčiny v kapitole 7 tohto návodu;
 - Ak bliká, znamená to, že batéria dosahuje prahovú hodnotu prepätia; stroj okamžite zastavte, odpojte batériu a obráťte sa na autorizované servisné stredisko.
- g) žacie zariadenie zapojené;


h)  palivo na rezerve: naznačuje, že v nádrži zostáva asi 1,5 litra, čo je postačujúce na asi 30-40 minút normálnej práce.

i)  svetlomety zapnuté;

- i.1) Senzor vo vnútri ovládacieho panela riadi automatické rozsvietenie svetlometov po niekoľkých sekundách tmy a ich vypnutie po niekoľkých sekundách jasu. Aby ste predišli nechcenému zapnutiu, udržiujte oblasť senzora čistú a na ovládací panel nekladte handry ani predmety. Úroveň jasu svetlometov môže na niekoľko sekúnd klesnúť v dôsledku výpadku napätia počas štartovania.

POZOR! *Nepozerajte sa priamo do LED svetlometu. Môže to nepriaznivo ovplyvniť oči.*

j) **N** prevodovka v polohe "neutrál".

k)  anomálie mazania motora: okamžite zastavte motor, skontrolujte hladinu oleja (5.3.3) a ak problém pretrváva, obráťte sa na svojho predajcu.

l)  Sklon stroja dosiahol neodporúčaný stupeň

POZNÁMKA *Táto ikona je iba informačná a pomáha používateľovi zistiť uhol sklonu stroja. Kontrolka sa môže rozsvietiť v prípade náhleho štartu/zastavenia alebo prudkého zatáčania. Vyhnite sa týmto druhom chovania.*

POZNÁMKA *Zložte všetky komponenty správne podľa pokynov na montáž uvedených v návode, inak indikátor sklonu nemusí pracovať správne.*

Čas rozsvietenia ikony môže byť ovplyvnený hmotnosťou operátora, hmotnosťou zberného koša trávy a tlakom v pneumatike.

Je možné zmeniť časovanie rozsvietenia, keď je namontované voliteľné príslušenstvo.

Kalibráciu senzora použitého na funkciu svetla musí vykonať váš servisný predajca, aby fungoval správne.

POZNÁMKA *Ak sa kontrolky často rozsvietia v nesprávnych situáciách, obráťte sa na svojho predajcu (napr. ikona sa rozsvieti so strojom na rovnom povrchu alebo na malom svahu).*

m)  Je potrebná údržba.


Hneď ako sa rozsvieti kontrolka, na displeji sa zobrazí hodinová hodnota intervalu údržby ako kód:

M20 = Údržba pri 20 hodinách

M50 = Údržba pri 50 hodinách

M100 = Údržba pri 100 hodinách

M300 = Údržba pri 300 hodinách

Úkony údržby, ktoré sa majú vykonať pre každý hodinový interval údržby, sú uvedené v ( 6.2).

Kód údržby zostane na displeji, kým sa nespustí motor alebo kým sa nezmení funkcia displeja. Kontrolka údržby namiesto toho zostane svietiť bez ohľadu na stav motora alebo funkciu displeja.

Ak sa súčasne dosiahne viac ako jeden interval údržby, zodpovedajúce kódy údržby sa na displeji striedajú každé 2 sekundy, vzostupne.

Po každej údržbe resetujte operáciu, inak na displeji zostane intervenčný kód a ikona a interval údržby nebude presný. Pre resetovanie operácie:

– Stlačte a podržte tlačidlo "MODE" (4.13.b)

dlhšie ako 10 sekúnd, s kľúčom v polohe "ZAPNUTÝ" a vypnutým motorom.

Po dosiahnutí nasledujúceho hodinového intervalu údržby sa opäť zobrazí kód údržby a ikona.

Ak sú pokyny na údržbu resetované pred dosiahnutím prahovej hodnoty intervalu údržby, plán údržby sa stále zobrazí v prvom užitočnom intervale. V takom prípade znovu resetujte operáciu, ak už bola údržba vykonaná.


 **HF2417...**

-
-
-
-
-
-
-

Ak nie je možné pokyn na údržbu resetovať ihneď po zastavení motora, počkajte, kým napätie batérie neklesne pod 12,7V. Potom skúste skontrolovať kód údržby.

 **HF2625...**

-
-
-
-
-
-
-

n)  Indikátor otáčok motora: Stupne zobrazené v grafickej mierke sa zväčšujú so zvyšujúcimi sa otáčkami motora. Grafický indikátor a číselná hodnota na displeji (a.2) sa menia súčasne.

o) Sú dva typy zvukových výstražných signálov:

- **trvalý** signalizuje ochranný zásah dosky s elektronickými obvodmi; zvuk vypnete otočením kľúča do polohy "VYPNUTÝ".
- **prerušovaný** Upozornenie na plný zberný kôš trávy.

4.21 BRZDOVÝ PEDÁL

Tento pedál aktivuje brzdu na zadných kolesách.

4.22 PLYNOVÝ PEDÁL

Tento pedál sa používa na záber trakcie zadných kolies pri jazde vpred a na nastavenie rýchlosti stroja.

– Zatláčením pedálu progresívne vzrastie rýchlosť stroja vpred.

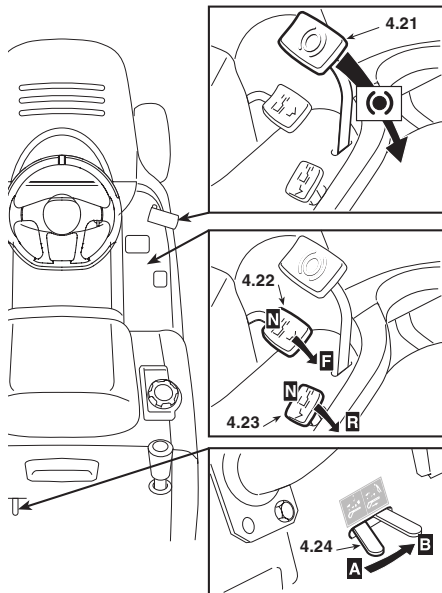
– Po uvoľnení pedálu sa tento automaticky vráti do polohy neutrál "N".

– Zaradený neutrál "N" je indikovaný kontrolkou na prístrojovej doske (4.13.j).

4.23 PEDÁL SPIATOČKY

Tento pedál sa používa na záber zadných kolies pri jazde vzad a na nastavenie rýchlosti stroja.

- Zvýšením tlaku na pedál progresívne zvýši rýchlosť stroja.
- Po uvoľnení pedálu sa tento automaticky vráti do polohy neutrál "N".
- Zaradený neutrál "N" je indikovaný kontrolkou na prístrojovej doske (4.13.j).



⚠ POZOR!

Spätňý chod sa môže zaradiť ak je stroj v pokoji.

POZNÁMKA

Ak použijete jeden z trakčných pedálov pri zatiahnutej parkovacej brzde (4.5), motor sa zastaví.

4.24 PÁKA PRE UVOĽNENIE HYDROSTATICKEJ PREVODOVKY

Táto páka má dve polohy označené na štítku:



"A" = Prevodovka zapojená: pre všetky podmienky použitia, pre kosenie aj jazdu;



"B" = Prevodovka odpojená: to uľahčuje ručný pohyb stroja, pri vypnutom motore.

5. PREVÁDZKOVÉ INŠTRUKCIE

5.1 BEZPEČNOSTNÉ ODPORÚČANIA

⚠ NEBEZPEČENSTVO! Stroj sa môže používať iba na účel na ktorý bol skonštruovaný (kosenie a zber trávy).

Použitie stroja na akýkoľvek iný účel je považované za "nevhodné použitie", ruší záruku a zodpovednosti výrobcu a užívateľ bude následne zodpovedný za akúkoľvek škodu a zranenia vzniknuté jemu alebo iným osobám.

Príkladmi nevhodného použitia môžu byť okrem iného:

- preprava osôb, detí alebo zvierat na stroji alebo na prípojnom vozíku;
- ťahanie alebo tlačenie nákladu bez použitia špecifikovaného príslušenstva na ťahanie;
- použitie stroja na jazdu cez nestabilné, klzké, zľadovatené, kamenisté, hrboľaté, močaristé povrchy alebo cez kaluže bez konzistencie povrchu;
- použitie stroja na zber lístia alebo nečistôt;
- použitie žacieho zariadenia na plochách iných ako trávnych.

⚠ NEBEZPEČENSTVO! Nemodifikujte ani neodstraňujte bezpečnostné zariadenia, ktoré sú inštalované na stroji. ZAPAMÁTAJTE SI, ŽE UŽÍVATEĽ JE VŽDY ZODPOVEDNÝ ZA ŠKODY A ZRANENIA VZNIKNUTÉ INÝM OSOBÁM.

Pred použitím stroja:

- prečítajte si všeobecné bezpečnostné pokyny (☛ 1.1), so zvláštnym zreteľom na časti venované jazde a koseniu na svahoch;
- pozorne si prečítajte inštrukcie pre použitie, oboznámte sa s ovládacími prvkami a spôsobom ako rýchlo zastaviť žacie nože a motor.
- nikdy nekladajte ruky alebo nohy do blízkosti alebo pod rotujúce časti a vždy sa zdržiavajte mimo výstupu.

Nikdy nepoužívajte stroj ak nie ste v dobrom zdravotnom stave alebo pod vplyvom liekov alebo iných látok, ktoré môžu spomaliť vaše reakcie a znížiť vašu schopnosť koncentrácie. Je zodpovednosťou užívateľa, aby zhodnotil potenciálne riziká na mieste, kde sa bude pracovať, ako aj vykonať všetky potrebné kroky na zaistenie bezpečnosti jeho vlastnej ako aj iných, najmä na svahoch, hrboľatom, klzkom alebo nepevnom pozemku.

V záujme predchádzania požiaru nenechávajte stroj odstavený so zapnutým motorom vo vysokej tráve.

⚠ POZOR! Tento stroj sa nesmie používať na svahoch so sklonom väčším ako 10° (17 %) (☛ 5.5).

DÔLEŽITÉ

Všetky odkazy týkajúce sa umiestnenia ovládacích prvkov sú popísané v kapitole 4.

5.2 PREČO BEZPEČNOSTNÉ SYSTÉMY VYPÍNAJÚ

Bezpečnostné systémy fungujú dvoma spôsobmi:

- preventívne bránia štartu motora, ak neboli dodržané bezpečnostné podmienky;
- zastavením motora, ak by bola aj jediná bezpečnostná podmienka nespĺnená.

Aby bolo možné motor naštartovať, musí byť:

- prevodovka v polohe "neutrál";
- všetky žacie nože správne na mieste;
- operátor usadený v sedadle.

Motor sa zastaví keď:

- operátor opustí sedadlo;
- bez odpojenia žacích nožov je zdvihnutý zberný kôš alebo odstránený ochranný kryt výstupného otvoru;
- je zaradený spätňý chod so zapojeným žacími zariadením. Tomuto sa možno vyhnúť stlačením tlačidla 4.7.
- pohon vpred alebo vzad je spustený pri aplikovanej parkovacej brzde.

Tabuľka nižšie zobrazuje rôzne prevádzkové situácie, **zdôrazňujúc** príčinu zastavenia motora bezpečnostným systémom.

OPERÁTOR	ZBERNÝ KÔŠ	ŽACIE ZARIADENIE	PREVODOVKA	BRZDA	MOTOR
A) ZAPNUTÝ OVLÁDACÍ PANEL (Kľúč zapalovania v polohe "ZAPNUTÝ")					
Usadený	ÁNO	Odpojené	"N"	Zapojené	Zastavený
Usadený	NIE	Odpojené	"N"	Odpojené	Zastavený
B) ŠTARTOVANIE (Kľúč zapalovania v polohe "ŠTART")					
Usadený	-/-	Odpojené	F/LR (**)	Zapojené	NEŠTARTUJE
Usadený	-/-	Zapojené	"N"	Zapojené	NEŠTARTUJE
Žiadne	-/-	Odpojené	"N"	Odpojené	NEŠTARTUJE
C) POČAS JAZDY (Kľúč zapalovania v polohe "ZAPNUTÝ")					
Usadený	ÁNO	Odpojené	F/LR (**)	Zapojené	Zastaví
Žiadne	ÁNO	Odpojené	"N"	Odpojené	Zastaví
D) PRI KOSENÍ (Kľúč v polohe "ZAPNUTÝ")					
Usadený	NIE	Zapojené	-/-	Odpojené	Zastaví
Usadený	ÁNO	Zapojené	B	Odpojené	Zastavuje *
Žiadne	ÁNO	Odpojené	"N"	Odpojené	Zastaví
Žiadne	ÁNO	Zapojené	-/-	Zapojené	Zastaví

* Tomuto sa možno vyhnúť stlačením a podržaním tlačidla 4.7

** F: Prevod vpred zapojený - R: Spätňý chod zapojený

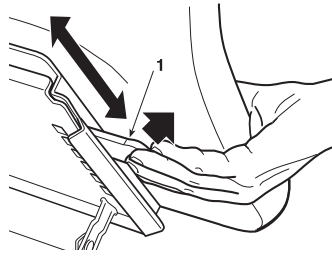
5.3 PRÍPRAVNÉ KROKY PRED ZAČATÍM PRÁCE

Pred začatím práce je nevyhnutné vykonať niekoľko kontrol a krokov, aby ste zabezpečili, že môžete pracovať efektívne a v maximálnej bezpečnosti.

5.3.1 Nastavenie sedadla

Sedadlo je nastaviteľné a posúva sa do šiestich rôznych polôh.

Nastavenie sa vykonáva potiahnutím páčky (1) a posunutím sedadla pokým sa uzamkne v požadovanej polohe.

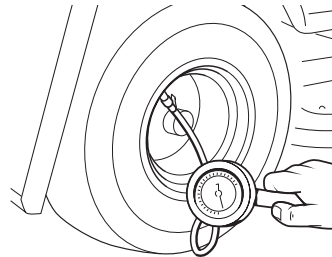


5.3.2 Tlak pneumatík

Odskrutkujte krytky ventilov a pripojte k ventilom hadicu so stlačeným vzduchom s ukazovateľom tlaku.

Správny tlak v pneumatikách je hlavným predpokladom na to, aby bolo žacie zariadenie vo vodorovnej polohe a kosilo rovnomerne. Tlak pneumatík:

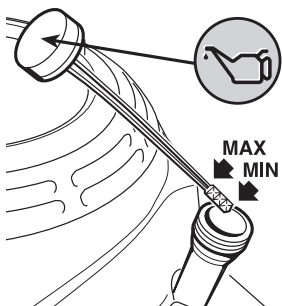
PREDNÉ	1,5 bar (13 x 5,00-6)
	1,0 bar (15 x 6,00-6)
ZADNÉ	1,2 bar



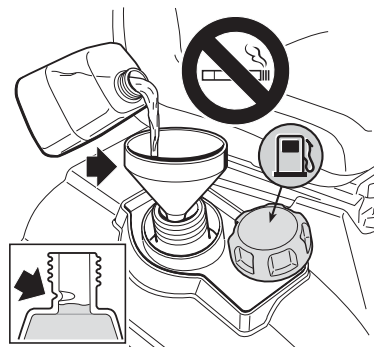
5.3.3 Naplnenie olejom a palivom

DÔLEŽITÉ Použite olej SAE 10W30 a bezolovnatý benzín (zelený) Euro 95.

DÔLEŽITÉ Prevádzka motora s nevhodným olejom môže spôsobiť jeho vážne poškodenie. Používanie neadaptovaného oleja alebo oleja pre dvojtaktné motory môže skrátiť životnosť motora.



Na vodorovnom povrchu a s vypnutým motorom vyberte uzáver s mierkou a utrite ju. Uzáver dajte naspäť úplne, ale bez toho aby ste ho zaskrutkovali, potom ho znovu vytiahnite a skontrolujte hladinu oleja. Ak je hladina blízko alebo pod spodnou ryskou (MIN) mierky, doplňte doporučeným olejom až po hornú rysku (MAX). Uzáver s odmerkou naskrutkujte naspäť.



Pri dopĺňaní paliva použite lievik.

Nenapĺňajte nádrž úplne doplna; maximálna hladina je naznačená na hrdle nádrže.

Objem palivovej nádrže je uvedený v kapitole 10.

DÔLEŽITÉ Vady pohonného systému alebo výkonu motora spôsobené nedbanlivosťou pri skladovaní nie sú kryté zárukou.

POZNÁMKA Ak sa na telo vylial benzín, okamžite všetky stopy vyčistite.

NEBEZPEČENSTVO! Dopĺňanie paliva by sa malo robiť na otvorenom alebo dobre vetranom priestranstve s vypnutým motorom. Vždy myslíte na to, že benzínové výpary sú horľavé. **NEKONTROLUJTE HLADINU PALIVA V NÁDRŽI TAK, ŽE SA K JEJ OTVORU PŘIBLÍŽITE S OTVORENÝM OHŇOM A PRI DOPLŇANÍ PALIVA NEFAJČITE.**

• Benzín s obsahom alkoholu

DÔLEŽITÉ Ak používate benzín s obsahom alkoholu, uistite sa, že jeho oktánové číslo je minimálne rovnaké ako index odporúčaný spoločnosťou Honda (oktánové číslo 86). Sú dva druhy zmesi benzínu s alkoholom: jeden obsahujúci etanol, druhý obsahujúci metanol.

Špecifikácie paliva potrebné na udržanie účinnosti emisného systému: Palivo E10 uvedené v predpisoch EÚ.

Nikdy nepoužívajte zmesi benzínu s alkoholom obsahujúce viac ako 10% etanolu. Nepoužívajte benzín s obsahom metanolu (metylalkohol alebo drevný alkohol) vyšším ako 5% a bez rozpúšťadiel alebo inhibítorov korózie metanolu.

DÔLEŽITÉ

- Záruka sa nevzťahuje na škody spôsobené na palivovom systéme alebo na problémoch s výkonom motora v dôsledku používania benzínu obsahujúceho viac ako odporúčanú hladinu alkoholu.
- Pred doplnením paliva na nie veľmi známej čerpacej stanici zistite, či benzín obsahuje alkohol, a ak áno, aký druh alkoholu je použitý a v akom percentuálnom podiele.

Ak sa pri používaní konkrétneho benzínu pri prevádzke zistia nežiaduce príznaky, vráťte sa k benzínu, ktorého hladina alkoholu je určite nižšia ako odporúčané množstvo.

5.3.4 Kontrola brzdového systému

Presvedčte sa, že brzdná schopnosť stroja je dostačujúca pre podmienky v ktorých pracuje. Ak máte pochybnosti o brzdnom účinku, neštartujte stroj. V prípade potreby vykonajte nastavenie brzdy (☛ 6.3.4) a ak máte stále pochybnosti, kontaktujte vášho predajcu.

5.3.5 Inštalácia ochranných zariadení na výstupe (zberný kôš alebo ochranný kryt)

POZOR! Nikdy nepoužívajte stroj bez nasadeného krytu výstupu!

HF2•••HT•

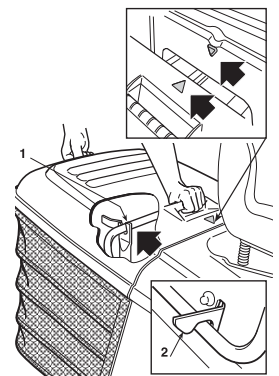
- Ochranný kryt musí byť nainštalovaný so sklopnými pákami
- spustenými.

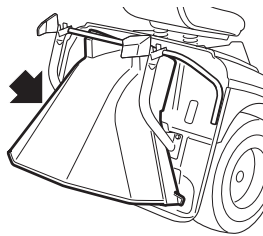
Zaveste zberný kôš tak, že nasadíte hornú priečku koša do drážok dvoch držiakov (1).

Pre správne vycentrovanie zberného koša zarovnajte dva symboly na zbernom koši so symbolmi na zadnej platni

Presvedčte sa, že spodná trubka otvoru zberného koša zapadla do západky (2). Ak je západka príliš tuhá alebo uvoľnená, nastavte jej vratnú pružinu (☛ 6.3.6).

Ak sa rozhodnete kosiť bez použitia zberného koša, na objednávku je k dispozícii voliteľný kryt výstupného otvoru (☛ 8.2). Tento musí byť nasadený na výstupný otvor spôsobom opísaným v inštrukciách.





5.3.6 Kontrola účinnosti a bezpečnosti stroja

1. Skontrolujte, či bezpečnostné zariadenia fungujú ako je popísané (☛ 5.2).
2. Presvedčte sa, že brzda perfektne funguje.
3. Nezačnite kosiť, ak žacie zariadenie vibruje alebo ak si nie ste istí či sú žacie nože dostatočne ostré. Vždy pamätajte na to, že:
 - Zle naoštrené žacie nože vyťahujú trávu a spôsobujú žltnutie trávniku.
 - Uvoľnené žacie nože spôsobujú abnormálne vibrácie a môžu byť nebezpečné.

⚠ POZOR! *Nepoužívajte stroj, ak si nie ste istí, či funguje bezpečne alebo účinne. Ak máte pochybnosti, ihneď kontaktujte vášho predajcu, aby vykonal potrebné kontroly a opravy.*

5.4 POUŽITIE STROJA

5.4.1 Štartovanie

⚠ NEBEZPEČENSTVO! *Akékoľvek štartovanie musí byť vykonávané na otvorenom alebo dobre vetranom priestranstve. VŽDY MYSLITE NA TO, ŽE VÝFUKOVÉ PLYNY SÚ JEDOVATÉ!*

Štartovanie motora

- dajte prevodovku do neutrálu ("N") (☛ 4.22);
- odpojte žacie zariadenie (☛ 4.8);
- na naklonenom povrchu zatahnite parkovaciu brzdu;
- V prípade studeného štartu: použite sýtič (☛ 4.2);
- ak je motor už teplý, dajte páku už len medzi polohu "POMALY" a "RÝCHLO";
- vložte kľúč zapalovania a otočte ho do polohy "ZAPNUTÝ", čím zapnete zapalovanie; potom ho otočte do polohy "ŠTART" a naštartujte motor;
- keď motor naštartoval, pustite kľúč zapalovania.

Potom, ako motor naštartoval, dajte plyn do polohy "POMALY".

DÔLEŽITÉ *Sýtič musí byť vypnutý hneď potom, ako sa chod motora po jeho zahriatí stabilizuje. Zapnutý sýtič pri zahriatom motore môže spôsobiť zanesenie sviečok zapalovania a nestabilný chod motora.*

POZNÁMKA *Ak máte problém s naštartovaním motora, zbytočne dlho netočte štartérom, aby ste nevybili batériu a nespôsobili preplavenie motora palivom. Otočte kľúč do polohy "VYPNUTÝ", niekoľko sekúnd počkajte a potom opakujte štartovanie. Ak problém pretrváva, pozrite príručku k motoru a kapitolu "7" v tomto návode.*

DÔLEŽITÉ *Vždy myslíte na to, že bezpečnostné systémy znemožňujú štart motora, ak nie sú splnené bezpečnostné podmienky (☛ 5.2). V týchto prípadoch, aj keď bola príčina odstránená, kľúč zapalovania musíte najprv prepnúť do polohy "VYPNUTÝ", a až potom je možné motor znova naštartovať.*

5.4.2 Jazda vpred bez kosenia

⚠ POZOR! *Tento stroj nebol schválený pre použitie na verejných komunikáciách. Podľa cestného zákona môže byť použitý len na uzavretých súkromných pozemkoch mimo premávky.*

Pri jazde na stroji:

- odpojte žacie zariadenie;
- nastavte žacie zariadenie do najvyššej polohy (poloha "7").

Páčku plynu dajte medzi polohy "POMALY" a "RÝCHLO". Vypnite parkovaciu brzdu a pustite brzdový pedál (☛ 4.21). Zatlačte pedál pohonu vpred (☛ 4.22) a dosiahnite požadovanú rýchlosť postupným zvyšovaním tlaku na pedál a nastavením plynu.

⚠ POZOR! *Pohon sa musí zapojiť ako je popísané (☛ 4.22), aby sa predišlo nečakanej reakcii stroja a novej strate kontroly nad ním, hlavne vo svahovitom teréne.*

5.4.3 Brzdenie

Najprv znížte rýchlosť pohonu stroja znížením otáčok motora, a potom zatlačte brzdový pedál (☛ 4.21) na spomalenie stroja, až kým sa nezastaví.

POZNÁMKA *Stroj do značnej miery spomalí už pri pustení pedálu pohonu pri jazde vpred alebo vzad.*

5.4.4 Spätný chod

Spätný chod SA MÔŽE zaradiť len ak je stroj v pokoji.

Keď je stroj v pokoji, spustíte spätný chod stlačením pedála rýchlosti v smere "R" (☛ 4.23).

5.4.5 Kosenie

Na mieste kosenia sa presvedčte, či je zberný kôš alebo kryt výstupného otvoru správne nasadený.

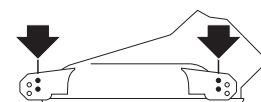
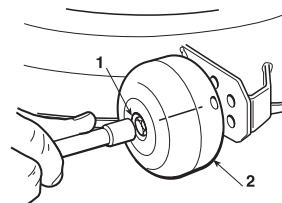


Dištančné kolieska udržiavajú za každých podmienok medzeru medzi zemou a telesom žacieho zariadenia, a tak chránia žacie zariadenie pred možným poškodením nárazom na nerovnom povrchu.

Každé dištančné koliesko na zostave žacieho zariadenia môže byť namontované v dvoch rôznych výškach: v najnižšej polohe slúži na udržiavanie priestoru; jeho účinnosť je vylúčená, keď je v najvyššej polohe.

Na zmenu polohy, odskrutkujte a vytiahnite čap (1) a premiestnite koleso (2) do otvoru vyššie alebo nižšie v rade zobrazenom na obrázku.

⚠ POZOR! *To musí byť vždy vykonané na všetkých štyroch dištančných kolieskach, PRI VYPNUTOM MOTORE A ODPOJENOM ŽACOM ZARIADENÍ.*



Začatie kosenia:

- presuňte plyn do polohy "RÝCHLO";
- nastavte žacie zariadenie do najvyššej polohy;
- zapojte žacie zariadenie (☛ 4.8);
- začnite sa veľmi pomaly a s najvyššou opatrnosťou pohybovať po trávniku, ako bolo už popísané;
- nastavte rýchlosť pohonu vpred a výšku kosenia (☛ 4.6) podľa kvality trávy (výška, hustota a vlhkosť trávy). Na rovnej ploche možno uplatniť tieto všeobecné zásady:

Vysoká a hustá tráva - vlhký trávnik 2,5 km/h
 Priemerná kvalita trávy 4 ... 6 km/h
 Nízka tráva - suchý trávnik nad 6 km/h

Rýchlosť pohonu je regulovaná postupne a progresívne tlakom na pedál pohonu.

POZOR! Pri kosení na svahoch musíte znížiť rýchlosť pohonu, aby ste zaistili bezpečnosť (☛ 1.2 - 5.5).

Bez ohľadu na podmienky vždy znížte rýchlosť, ak spozorujete pokles otáčok motora - ak jazdíte príliš rýchlo vzhľadom na kosené množstvo trávy, nebudete môcť kosiť trávnu dobre.

Vždy, keď potrebujete prekonať prekážku, odpojte žacie zariadenie a zdvihnite zostavu žacieho zariadenia čo najvyššie.

5.4.6 Vyprázdňovanie zberného koša trávy

Nedovoľte aby sa zberný kôš prepľnil, nakoľko to môže upchať výstupný kanál.

Prerušovaný zvukový signál a blikanie kontrolky (4.13.d) naznačujú, že zberný kôš je plný; v tomto okamihu:

- znížte otáčky motora;
- prepnite do neutrálu (N) (☛ 4.22 alebo 4.23) a zastavte pohyb vpred;
- na svahu zatiahnite parkovaciu brzdu;
- odpojte žacie zariadenie (☛ 4.8) a zvukový signál sa vypne;

▶ HF2...HB • HF2...HM •

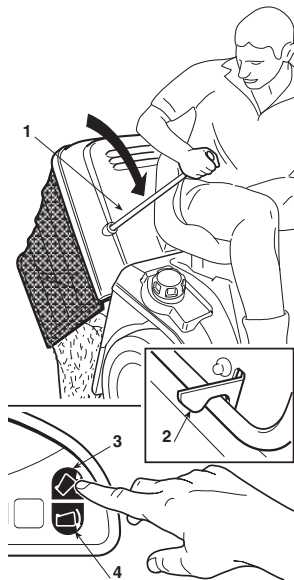
POZNÁMKA Vyprázdňovanie koša je možné vykonávať len s odpojenými žacím zariadením, inak sa motor zastaví.

- Vytiahnite páku (1) (☛ 4.11.1) a nakloňte zberný kôš, aby sa vyprázdnil;
- vráťte zberný kôš naspäť tak, aby sa zavesil na západku (2) a dajte páku (1) späť na miesto.

▶ HF2...HT •

POZNÁMKA Ovládanie sklápania zberného koša funguje iba pri odpojenom žacom zariadení

- operátor sedí na sedadle, podržte stlačené tlačidlo (3) (☛ 4.11.2) pokým sa zberný kôš úplne nevyklopí;
- po vyprázdnení podržte stlačené tlačidlo (4) (☛ 4.11.3) pokým zberný kôš neklesne do pôvodnej polohy a nezaistí sa západkou (2).

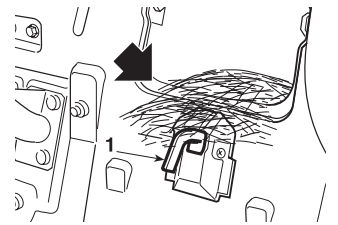


POZNÁMKA Niekedy môže dôjsť k tomu, že zvukový signál zaznie aj pri zapojení žacieho zariadenia po vyprázdnení zberného koša. Toto je z dôvodu zanechaných kúskov pokosenej trávy na senzore mikrosčítača (1). V takomto prípade odpojte pohon žacích nožov a hneď ho znova zapojte. Ak výstražný signál pretrváva, zastavte motor, snímte zberný kôš a odstráňte nahromadené zvyšky trávy zo senzora (1).

5.4.7 Uvoľnenie výstupného kanála

Kosenie veľmi vysokej alebo vlhkej trávy, hlavne pri vysokej rýchlosti, môže upchať výstupný kanál. Ak sa tak stane, postupujte nasledovne:

- ihneď zastavte pohyb vpred, odpojte žacie zariadenie a vypnite motor;
- vyberte zberný kôš alebo kryt výstupného otvoru;
- odstráňte nahromadenú trávnu vo výstupnom kanále z jeho výstupnej strany.



POZOR! Táto operácia sa musí vykonávať len pri vypnutom motore.

5.4.8 "Mulčovanie"

"Mulčovanie" recykluje trávnu vo vnútri telesa žacieho zariadenia, seká ju na drobné kúsky a rozhadzuje ju na trávnik.

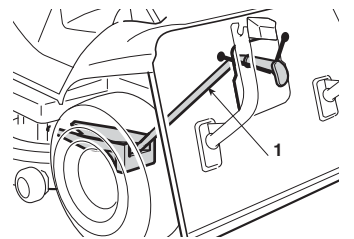
Ak sú pri mulčovaní odrezky trávy vyhadzované do okolia žacieho zariadenia alebo ak sú rozhadzované v chumáčoch, je možné, že tráva je príliš vysoká alebo rez je príliš krátky. Výška kosenia pre mulčovanie musí byť nastavená približne na 1/3 výšky trávy (maximum 10-13 cm pred mulčovaním).

▶ HF2317... HF2417HB •

Toto príslušenstvo (dostupné na požiadanie) sa musí nainštalovať tak, ako je zobrazené v príslušnom návode.

▶ HF2417HM • HF2417HT • HF2625H ♦

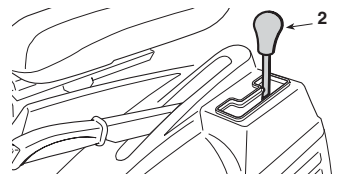
Stroj je vybavený mechanizmom na prepínanie medzi zberom trávy a mulčovaním. Dôkladne porozumejte prevádzkovým podmienkam týchto dvoch funkcií pred ich použitím



"Mulčovanie" sa zapína alebo vypína pákou mulčovania (2) (☛ 4.12).

Použite páku mulčovania so zberným košom demontovaným zo stroja, aby ste sa uistili, že funguje voľne a nie je blokována trávou, ktorá by mohla ovplyvniť jej činnosť.

Ak je v prednej oblasti mulčovacej klapky tráva, odstráňte ju palicou alebo podobne.



DÔLEŽITÉ Preťaženie páky pri nesprávnom nastavení lanka alebo s usadeninami trávy môže spôsobiť pretrhnutie lanka alebo deformáciu držiaka v dôsledku preťaženia. Ak je páka príliš napätá, nepoužite silu, ale obráťte sa na vášho predajcu.

Po kosení

Po ukončení kosenia, odporúča sa vyčistenie žacieho zariadenia, výstupného kanála a zberného koša, aby sa predišlo problémom a zaistila sa budúca bezproblémová prevádzka. Zastavte motor, vytiahnite kľúč, zatahnite brzdu a snímte zberný kôš. Vizualne skontrolujte výstupný kanál, či nie je upchatý trávou (ak je upchatý, odstráňte trávu).

5.4.9 Ukončenie kosenia

Po ukončení kosenia odpojte žacie nože, znížte otáčky motora a jazdite so strojom s žacím zariadením nastaveným v najvyššej polohe.

5.4.10 Ukončenie práce

Zastavte stroj, dajte páčku plynu do polohy "POMALY" a vypnite motor otočením kľúča do polohy "VYPNUTÝ". Tento krok spôsobí, že palivový ventil sa automaticky uzavrie.

POZOR! *Pred ponechaním stroja bez dohľadu, vždy vyberte kľúč zapalovania!*

5.4.11 Čistenie a uskladnenie

Stroj uskladnite na suchom mieste chránenom pred počasím a ak je to možné, prikryte ho prikrývkou. Po každom kosení vyčistite vonkajšie časti stroja, vyprázdňte zberný kôš a potraďte ním, aby vypadali čiastočky pokosenej trávy a zeminy.

Nájdiť a odstrániť všetku trávu, ktorá sa nahromadila v motorovom priestore a nad žacím zariadením, aby ste udržali stroj v optimálnom stave účinnosti.

POZOR! *Vždy po kosení vyprázdňte zberný kôš a nádoby naplnené trávou nenechávajte v skladovacej miestnosti.*

Plastické časti stroja očistite vlhkou špongiou použitím vody a čistiaceho prostriedku tak, aby ste nezamočili motor, elektrické časti alebo riadiacu jednotku umiestnenú pod prístrojovou doskou.

DÔLEŽITÉ *Na čistenie kapotáže a motora nikdy nepoužívajte koncovky hadíc alebo agresívne čistiace prostriedky!*

Pri čistení vnútra žacieho zariadenia a zberného kanála musí byť stroj na pevnom podklade s:

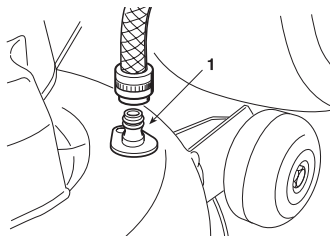
- nasadeným zberným košom alebo krytom výstupného otvoru;
- operátorom sediacim na sedadle;
- bežiacim motorom;
- prevodovkou v neutráli;
- zatiahnutou parkovacou brzdou;
- zapojeným žacím zariadením;

Zapojte hadicu striedavo do preplachovacích otvorov (1) a prúdom vody do žacieho priestoru s rotujúcimi nožmi po dobu niekoľkých minút vyčistíte žacie zariadenie.

Pri čistení by malo byť teleso žacieho zariadenia v najnižšej polohe. Po čistení snímte zberný kôš, vyčistite ho, vylejte z neho vodu a dajte ho do polohy v ktorej sa môže rýchlo vysušiť.

DÔLEŽITÉ *Aby sa neohrozila účinnosť elektromagnetickej spojky:*

- nenechajte spojku prísť do kontaktu s olejom;
- nesmerujte prúd vody priamo na jednotku spojky;
- nečistite spojku benzínom.



5.4.12 Demontáž krytu remeňa a čistenie žacieho zariadenia

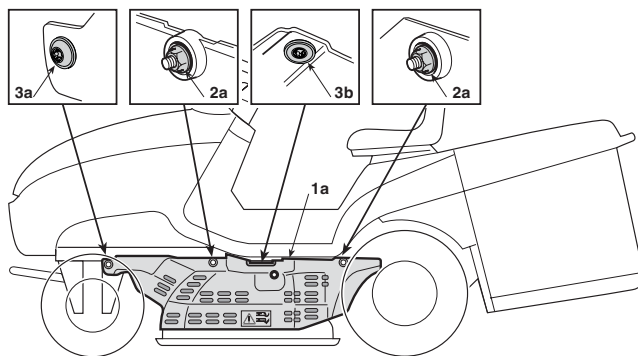
POZOR! *V záujme udržania vysokej účinnosti a bezpečnosti stroja nedovoľte, aby sa v hornej časti žacieho zariadenia zhromažďovali nečistoty a vysušená tráva. Táto operácia by sa mala vykonať 2-3 krát za rok a pred uskladnením stroja na dlhší čas (napríklad na konci sezóny).*

POZOR! *Stroj je vybavený dvoma krytmi reťaze prevodovky (jedna na pravej a druhá na ľavej strane), ktoré zabráňujú náhodnému kontaktu počas prevádzky.*

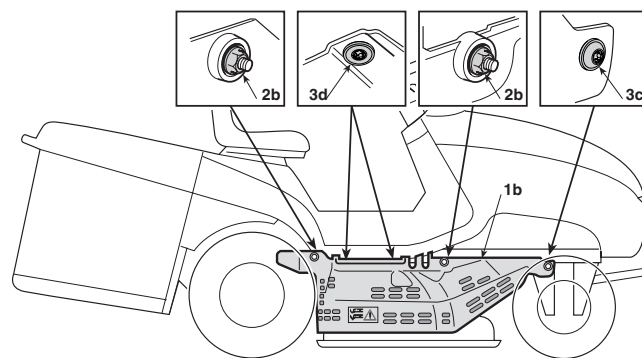
HF2317

Ľavý kryt (1a) je uchytený:

- dvoma maticami (2a), odmontujte použitím 10 mm kľúča;
 - prednou skrutkou (3a) a strednou skrutkou (3b), odmontujte použitím kľúča Torx T30;
- Pravý kryt (1b) je uchytený:
- dvoma maticami (2b), odmontujte použitím 10 mm kľúča;
 - prednou skrutkou (3c) a strednou skrutkou (3d), odmontujte použitím kľúča Torx T30;



POZNÁMKA *Pri demontáži ľavého krytu (1a) dávajte pozor, aby ste neodpojili hadice z prípojky na čistenie vnútra žacieho zariadenia.*



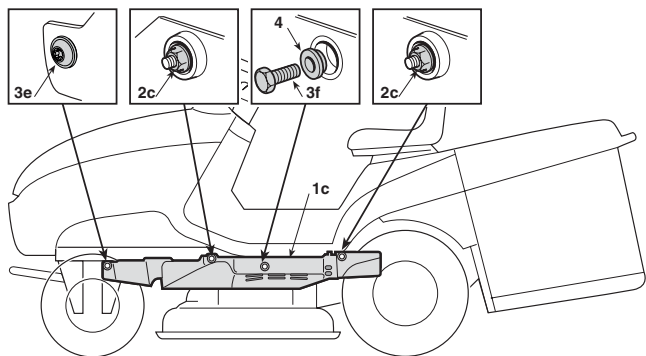
- Pri inštalácii ľavého a pravého krytu vymeňte všetky matice (2a) a (2b) a potom všetky skrutky,

HF24 **HF26**

Ľavý kryt (1c) je uchytený:

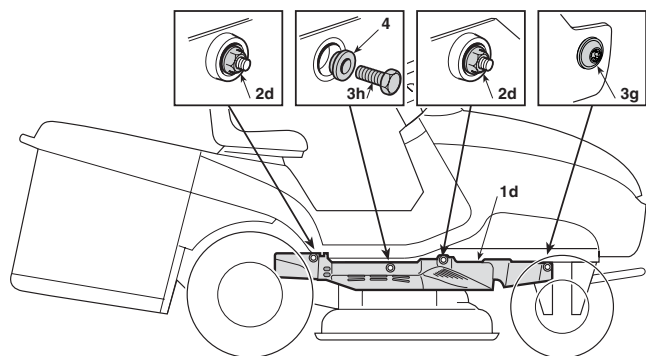
- dvoma maticami (2c) odmontujte použitím 10 mm kľúča;
- prednou skrutkou (3e) odmontujte použitím kľúča Torx T30;
- strednou skrutkou (3f) s vymedzovacou podložkou (4), odmontujte použitím 10 mm kľúča;

- Právý kryt (1d) je uchytený:
 - – dvoma maticami (2d) odmontujte použitím 10 mm kľúča;
 - – prednou skrutkou (3g) odmontujte použitím kľúča Torx T30.
 - – strednou skrutkou (3h) s vymedzovacou podložkou (4), odmontujte použitím 10 mm kľúča;



- Pri inštalácii ľavého a pravého krytu dbajte na to, aby boli vymedzovacie podložky (4) pod skrutkami (3f) a (3h) nasadené správne.

- Pre demontáž oboch krytov a vyčistenie žacieho zariadenia:
 - – nastavte žacie zariadenie do polohy "1" (najnižšia poloha);



- – použite vhodné kľúče na odmontovanie všetkých matic a skrutiek naľavo a napravo a demontujte ľavý a pravý kryt;
- – na odstránenie všetkých zvyškov a nečistôt z hornej časti zostavy žacieho zariadenia použite prúd stlačeného vzduchu.

⚠ POZOR! *Stroj sa nesmie používať, ak nie sú oba kryty správne nainštalované. Poškodené kryty vymeňte vždy za nové.*

5.4.13 Uskladnenie a nečinnosť na dlhší čas

Ak nebude stroj používaný dlhší čas (viac ako mesiac), odpojte mínusový (čierny) kábel z batérie. Okrem toho namažte všetky spoje ako je zobrazené (☛ 6.2.1).

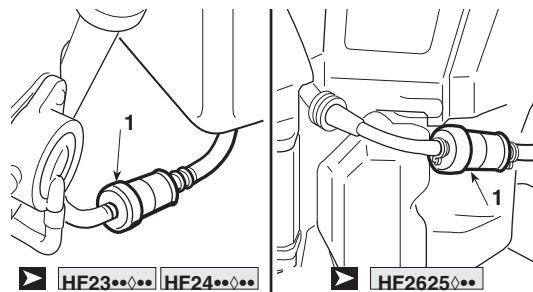
⚠ POZOR! *Opatrne odstráňte všetku vyschnutú pokosenú trávu z okolia motora alebo tlmiča výfuku, aby ste zabránili ich prípadnému vznieteniu pri ďalšom použití stroja!*

Vyprázdňte palivovú nádrž odpojením palivovej hadičky v mieste vstupu palivového filtra (1).

Znova zapojte palivovú hadičku. Povoľte výpustnú skrutku karburátora (2) a vypustite palivo do vhodnej nádoby. Dotiahnite výpustnú skrutku.

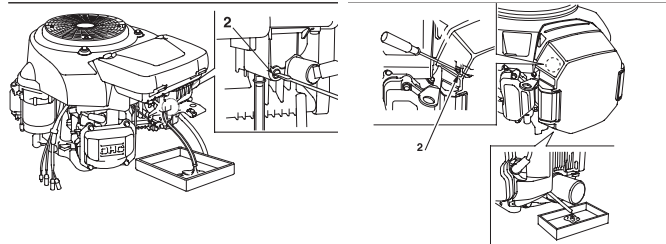
Vyberte dve sviečky zapalovania a nalejte do valcov lyžičku čistého motorového oleja. Motor štartujte 1 až 2 sekundy pomocou štartéra otočením kľúča zapalovania. Toto rozleje olej rovnomerne vo valcoch.

Namontujte späť sviečky zapalovania (☛ 6.4.5).



▶ HF23... HF24...

▶ HF2625...



▶ HF23... HF24...

▶ HF2625...

⚠ NEBEZPEČENSTVO! *Benzín je vysoko horľavý. Skladujte ho len v nádobách na tento účel určených. Nádoby vždy dobre a bezpečne uzatvorte.*

DÔLEŽITÉ *Batéria sa musí skladovať na chladnom a suchom mieste. Pred dlhodobším uskladnením (viac ako 1 mesiac), vždy nabite batériu použitím špecifickej nabíjačky dodávanej so strojom a potom ju znovu nabite pred ďalším použitím (☛ 6.2.3).*

Pred ďalším použitím stroja skontrolujte či nedochádza k úniku paliva z hadičiek, palivového ventilu alebo karburátora.

5.4.14 Ochranné zariadenie ovládacieho panela

Doska s elektronickými obvodymi je vybavená samočinnou ochranou, ktorá prerušuje obvod, ak dôjde k poruche v elektrickom systéme. Týmto sa zastaví motor a je signalizovaný zvukovým výstražným signálom, ktorý je deaktivovaný iba vybratím kľúča.

Obvod sa po niekoľkých sekundách automaticky obnoví, ale príčinu poruchy je nutné odstrániť, aby sa predišlo ďalším odpojeniam obvodu bezpečnostným zariadením.

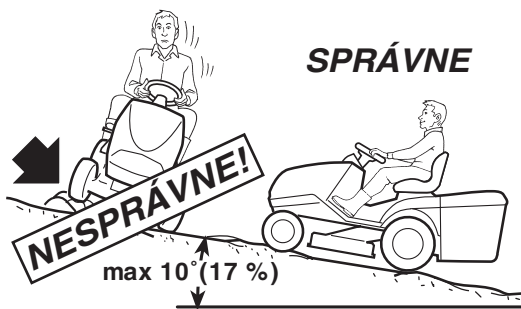
DÔLEŽITÉ *Aby ste predišli aktivácií bezpečnostného zariadenia:*

- – nezamieňajte polaritu káblov batérie;
- – nepoužívajte stroj bez nainštalovanej batérie, lebo môže dôjsť k poškodeniu regulátora dobíjania;
- – dávajte pozor, aby ste nespôsobili skrat v elektrickom obvode.

5.5 POUŽITIE NA SVAHOCH

Koste iba na svahoch so stúpaním do vyššie uvedeného maxima (**max 10° - 17%**). Trávnik na svahu sa musí kosiť smerom hore a dole a nikdy prične. Pri zmene smeru dávajte veľký pozor, aby kolesá nenasazili na nejakú prekážku (ako kamene, konáre, korene a pod.), ktorá by mohla posunúť stroj do boku, prevrátiť alebo spôsobiť stratu kontroly.

Ikona (4.13.l) zobrazuje, že uhol sklonu stroja sa priblíži k odporúčanému limitu sklonu.



⚠ NEBEZPEČENSTVO! **PRED AKOUKOL'VEK ZMENOU SMERU JAZDY NA SVAHU znížte rýchlosť a vždy keď opustíte stroj a necháte ho bez dozoru, zatiahnite parkovaciu brzdu.**

⚠ POZOR! **Dávajte pozor pri rozbiehaní na svahu aby nedošlo k prevráteniu stroja. Pred nájazdom do svahu, najmä smerom nadol, znížte rýchlosť.**

⚠ NEBEZPEČENSTVO! **Nikdy nespúšťajte spätný chod, aby ste znížili rýchlosť pri jazde z kopca: mohlo by to spôsobiť stratu kontroly nad strojom, najmä na klzkom povrchu.**

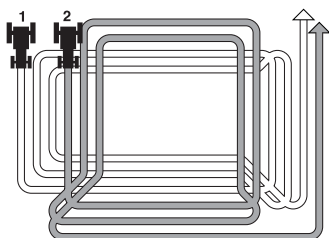
Jazdite dolu svahom s nohou mimo pedála pohonu (☛ 4.22), aby sa využil brzdný účinok hydrostatickej prevodovky pri jej vyradení.

5.6 PREPRAVNÁ POLOHA

⚠ POZOR! **Ak budete prepravovať stroj na vozíku, použite vhodne dimenzované nájazdové rampy pri jeho nakladaní. Stroj nakladajte s vypnutým motorom, bez obsluhujúcej osoby na sedadle len tlačení dostatočným počtom osôb. Na stroji pripravenom na prevoz znížte výšku žacieho zariadenia, zatiahnite parkovaciu brzdu a bezpečne ho zaistíte popruhmi alebo reťazami.**

5.7 RADA AKODOSIAHNUŤ DOBRÝ REZ

1. Aby bol trávnik zelený, mäkký a v dobrej kondícii je nutné kosiť pravidelne a bez jeho poškodzovania.
2. Je vždy lepšie kosiť trávu, keď je suchá.
3. Žacie nože musia byť v dobrom stave a dobre naostrené aby bola tráva dobre kosená bez potrhaných koncov, ktoré vedú k ožltnutiu trávy na jej koncoch.
4. Pri kosení by mal motor bežať na najvyšších otáčkach, aby sa dosiahlo kvalitné kosenie a zároveň dostatočný ťah pokosenej trávy do výstupného kanála.
5. Frekvencia kosenia by mala byť úmerná rýchlosti rastu trávy a medzi jednotlivými koseniami by ste nemali nechať trávu príliš narásť.
6. Vo veľmi teplých a suchých obdobiach je lepšie kosiť trávu na vyššiu výšku, aby sa tak predchádzalo rýchlemu vysychaniu zeme.
7. Ak je tráva veľmi vysoká, mala by sa kosiť dvakrát za deň. Prvýkrát so žacím zariadením v najvyššej polohe, podľa možnosti s obmedzeným záberom kosenia, a druhýkrát na požadovanej výške.
8. Vzhľad pokoseneho trávniku bude lepší, ak ho pokosíte v oboch smeroch.



9. Ak má výstupný kanál tendenciu upchávať sa, znížte rýchlosť pohonu pri kosení, nakoľko rýchlosť môže byť príliš vysoká pri danej kvalite trávy. Ak problém napriek zníženiu rýchlosti zostáva, pravdepodobnou príčinou môžu byť otupené žacie nože, alebo ich deformované krídľká.
10. Buďte veľmi opatrní pri prejazde popri kríkoch alebo obrubníkoch, ktoré môžu spôsobiť naklonenie žacieho zariadenia a poškodiť jeho okraje alebo žacie nože.

5.8 ZHRNUTIE HLAVNÝCH KROKOV, KTORÉ DODRŽIAVAŤ PRI POUŽÍVANÍ STROJA

Na...	Musíte ...
Naštartovať motor (☛ 5.4.1)	Presvedčte sa, že podmienky umožňujúce štart sú splnené a potom otočte kľúčom zapalovania.
Ísť vpred (☛ 5.4.2)	Použite plyn; Zatlačte pedál rýchlosti vpred (☛ 4.22).
Zabrzdiť alebo zastaviť (☛ 5.4.3)	Znížte otáčky motora a zatlačte brzdový pedál.
Spätný chod (☛ 5.4.4)	Zastavte stroj; Zatlačte pedál rýchlosti vzad (☛ 4.23).
Koste trávu (☛ 5.4.5)	Upevnite zberný kôš alebo zadný ochranný kryt; Upravte výšku dištančných koliesok (okrem: [HF2317***]); Nastavte plyn; Spustite žacie zariadenie; Nastavte výšku kosenia; Zatlačte pedál pohonu vpred (☛ 4.22);
Vyprázdnite zberný kôš (☛ 5.4.6)	Zastavte pohyb vpred, odpojte žacie zariadenie a použite ovládacie prvky sklápania na vyklopenie zberného koša.
Uvoľnite výstupný kanál (☛ 5.4.7)	Niekoľkokrát použite páku nastavenia výšky kosenia, aby sa vytriasol a uvoľnil výstupný kanál. Zastavte pohyb vpred, odpojte žacie zariadenie a vypnite motor. Snímate zberný kôš na trávu a vyčistíte výstupný komín.
Spustíte "Mulčovanie" (☛ 5.4.8)	▶ [HF2317***] [HF2417HB*] Toto príslušenstvo (dostupné na požiadanie) sa musí nainštalovať tak, ako je zobrazené v príslušnom návode. ▶ [HF2417HM*] [HF2417HT*] [HF2625***] "Mulčovanie" sa zapína alebo vypína príslušnou pákou (☛ 4.12).
Ukončíte kosenie (☛ 5.4.9)	Odstavte pohon žacích nožov a znížte otáčky motora.
Zastavte motor (☛ 5.4.10)	Znížte otáčky motora, niekoľko sekúnd počkajte a otočte kľúčom zapalovania.
Uskladnite stroj (☛ 5.4.11)	Zatiahnite parkovaciu brzdu, vyberte kľúč zapalovania a ak je to potrebné, umyte stroj, vnútro žacieho zariadenia, výstupný kanál a zberný kôš.

DÔLEŽITÉ

Nikdy sa nezbavujte starého oleja, paliva alebo iného odpadu na neautorizovaných miestach!

Súhrn situácií, kde môže byť vyžadovaná údržba

Kedykoľvek ...	Budete musieť ...
Žacie zariadenie vibruje	Skontrolujte úchyty (☛ 6.3.1) alebo vyvážte žacie nože (☛ 6.3.1)
Žacie zariadenie trhá trávu a spôsobuje žltnutie trávnik	Naostríte žacie nože (☛ 6.3.1)
Rez trávy je kostrbatý	Zarovnajete zostavu žacieho zariadenia (☛ 6.3.2)
Žacie zariadenie sa nespúšťa rovnomerne	Nastavte spúšťanie žacieho zariadenia (☛ 6.3.3).
Stroj nebrzdí	Nastavte napínač remeňa (☛ 6.3.4)
Pohyb vpred je trhavý	Nastavte napínač remeňa (☛ 6.3.5)
Zberný kôš má vôľu a má tendenciu sa otvárať	Nastavte pružinu (☛ 6.3.6)

6. ÚDRŽBA

6.1 BEZPEČNOSTNÉ ODPORÚČANIA

⚠ POZOR! *Pred čistením alebo údržbou stroja vyberte kľúč zo zapalovania a prečítajte si príslušné inštrukcie. Pri výmene žacích nožov, alebo iných nebezpečných úkonoch si oblečte vhodný odev a hrubé rukavice. Pred začatím akejkol'vek údržby alebo opravy sa presvedčte, že motor je studený.*

⚠ POZOR! *Nikdy nepoužívajte stroj s opotrebovanými alebo poškodenými dielmi. Opotrebené alebo poškodené diely musia byť vymenené za nové, nie opravované. Používajte len originálne náhradné diely: diely, ktoré nie sú ekvivalentnej kvality môžu poškodiť stroj alebo výrazne ohroziť bezpečnosť.*

6.2 PRAVIDELNÁ ÚDRŽBA

6.2.1 SPRIEVODCA PLÁNOVANOU ÚDRŽBOU

Táto tabuľka vám pomôže udržiavať bezpečnosť a dobrý výkon vášho stroja. Zobrazuje hlavné operácie údržby a mazania a ich frekvenciu.



- Po každej údržbe vždy obnovte ikonu a kód servisného prahu (4.13.m).

PREVÁDZKA		AKCIA	INTERVAL				
			PRED KAŽDÝM POUŽITÍM	3 MESIACE alebo 20 HODÍN	6 MESIACOV alebo 50 HODÍN	1 ROK alebo 100 HODÍN	300 HODÍN
Údržbu vykonávajte v každom prevádzkovom hodinovom alebo mesačnom intervale, v závislosti od toho, čo nastane skôr							
Motorový olej		Kontrola	●				
		Výmena		● (1)	●		
Vzduchový filter		Kontrola	●				
		Kontrola			◆		
		Výmena				● (3)	● (4)
Mriežka chladiaceho vzduchu		Kontrola	●				
Tlmič výfuku		Kontrola	●				
Mriežka ventilátora chladenia		Kontrola	●				
Batéria	Nabite					● (*)	
	Skontrolujte hladinu elektrolytu		●				
	Skontrolujte hladinu elektrolytu a hustotu kyseliny				●		
Pneumatiky a tlak v pneumatikách		Kontrola	●				
Remeň žacieho zariadenia		Kontrola	●				
Remeň prevodovky		Kontrola		●			
Brzda	Stav brzdy	Kontrola	●				
	Uťahovanie brzdy a tyče spojky	Kontrola		● (1)	● (2)		
	Zdvih brzdového pedála	Kontrola a nastavenie			●		
	Parkovacia brzda	Kontrola			●		
Stav skrutiek žacieho zariadenia		Kontrola	●				
Dotiahnutie skrutiek žacieho zariadenia		Kontrola			●	●	
Stav žacieho zariadenia		Kontrola	●				
Namazanie prednej a zadnej nápravy		Mazanie			●		
Sviečka zapalovania	Čistenie a kontrola					●	
	Výmena						●
Lanko plynu		Kontrola a nastavenie			●		
Nádrž, trubica a filter		Kontrola a nastavenie				●	
Vôľa ventilov		Kontrola, v prípade potreby výmena				●	
Rebrovanie a prepážky motora		Kontrola a nastavenie				●	
Puzdro pedála pohonu		Čistenie			●		
Mulčovací systém	Čistenie a kontrola		●				
	Nastavenie (ak je potrebné)					●	

(*) Ak nebol stroj používaný viac ako 1 mesiac.

◆ Vzduchový filter čistite častejšie, ak sa stroj používa v prašnom prostredí.

(1) Tento interval používajte iba na prvú údržbu.

(2) Tento interval je pre druhú a ďalšie údržby.

(3) GCV530

(4) GXV690H

6.2.2 Zadná náprava

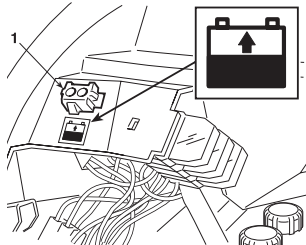
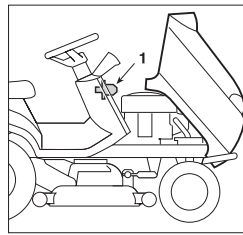
Zadná náprava je uzavretá a nevyžaduje údržbu. Je permanentne samostatne mazaná, pričom toto mazivo nepotrebuje výmenu ani doplnenie.

6.2.3 Batéria

Pre dlhú životnosť batérie je nevyhnutné vykonávať správne jej údržbu. Batéria stroja musí byť vždy nabitá:

- pred použitím stroja prvý krát po kúpe (☛ 3.1);
- pred dlhým ponechaním stroja na voľnobehu;
- pred štartovaním stroja po dlhodobom čase bez použitia.

Stroj má konektor (1) na nabíjanie; toto je pripojené k príslušnému konektoru pre dodávanú špeciálnu nabíjačku batérie.



DÔLEŽITÉ

Okrem nabíjačky nepripájajte ku konektoru žiadne iné zariadenie.

V čase neaktivity môže byť úroveň nabitia sa dá udržať pomocou dodanej údržbovej nabíjačky.

DÔLEŽITÉ

Batéria musí byť udržiavaná nabíjačkou, pričom sa riadte inštrukciami v priloženom návode. Iné nabíjacie zariadenia môžu batériu nenávratne poškodiť.

Vybitá batéria by sa mala dobíť čo najskôr, inak by sa mohli články batérie nenapravitelne poškodiť.

Pravidelne kontrolujte hladinu elektrolytu; na doplnenie používajte IBA destilovanú vodu.

6.3 KONTROLY A NASTAVENIA

6.3.1 Demontáž, výmena a vyváženie žacích nožov

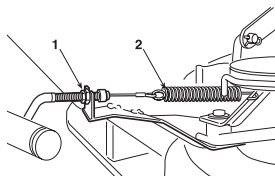
Zle naostrené žacie nože vyťahujú trávu, znižujú schopnosť kosenia a spôsobujú žltnutie trávnik.

DÔLEŽITÉ

Pre prístup k nožom, snímte žacie zariadenie, ktoré je vybavené rýchlo upínacím systémom uľahčujúcim ich demontáž zo stroja.

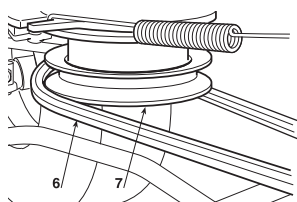
a) Demontáž žacieho zariadenia

Pred demontážou žacieho zariadenia odmontujte bočné kryty. (☛ 5.4.12).



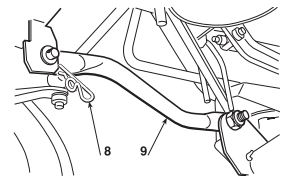
HF2317◆◆

- Po presunutí páčky nastavenia výšky žacieho zariadenia do polohy "1", potiahnite skrutku nastavenia lanka (1) a uvoľnite pružinu (2).

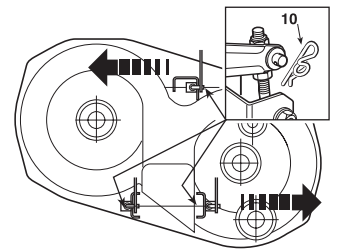


- Uvoľnite remeň žacích nožov (6) z kladky spojky (7).
- Vytiahnite dva delené kolíky (8), ktoré pripevňujú dve spojovacie tyče (9) k rámu.

- Uvoľnite tri delené kolíky (10), ktoré zaisťujú kolíky k zdvíhacej páke, dávajte pozor, aby ste sa nedotkli matic a poistných matic tak, aby pri opätovnej montáži boli rovnobežne ako predtým.



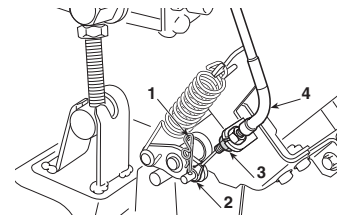
- Skontrolujte, či nič nebráni v ceste a môžete sňať teleso žacieho zariadenia vyťahujúc ho proti smeru hodinových ručičiek, takže všetky čapy zídu zo svojich pozícií.



- Pri skladaní vykonajte predošlé operácie v opačnom poradí, pričom dohľadnite, aby ste hrdlo zberného kanála správne nasadili na výstup zo žacieho zariadenia.

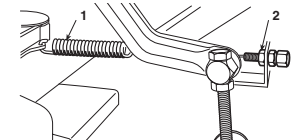
HF2417HM◆ HF2417HT◆ HF2625H◆

- Demontujte lanko "mulčovania".
- Vyberte závlačku (1) a vyťahnite krúžok (2). Povoľte maticu (3) a vyberte lanko (4).

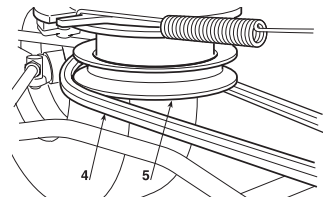


HF24◆◆◆ HF26◆◆◆

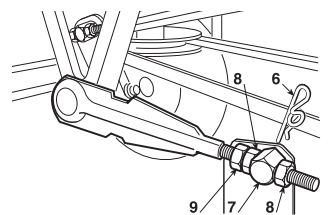
- Páku nastavenia výšky kosenia nastavte do polohy "1".



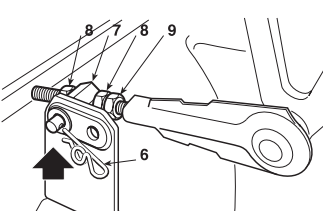
- Uvoľnite pružinu (1) spustenia nožov.



- Uvoľnite nastavovací prvok zapojenia (2) a vyťahnite ho zo sedla.

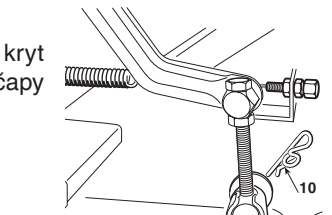


- Uvoľnite remeň žacích nožov (4) z kladky spojky (5).

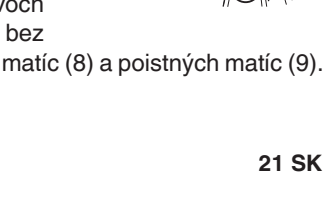


HF24◆◆◆

- Stiahnite dve závlačky (6) z dvoch čapov spojovacích tyčiek (7), bez povolenia alebo zmeny polohy matic (8) a poistných matic (9).

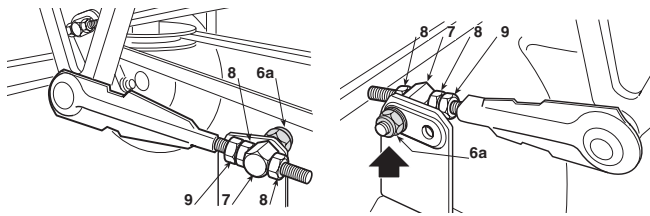


- Stiahnite dve závlačky (10) zadných čapov. Skontrolujte prípadné prekážky a snímte kryt takým spôsobom, aby všetky čapy vyšli zo svojich matic.

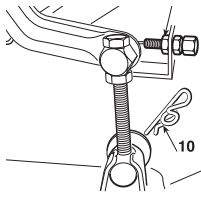


HF26◆◆◆

- Demontujte dve matice (6) z dvoch čapov spojovacích tyčiek (7), bez povolenia alebo zmeny polohy matic (8) a poistných matic (9).



Stiahnite dve závlačky (10) zadných čapov. Skontrolujte prípadné prekážky a snímte kryt takým spôsobom, aby všetky čapy vyšli zo svojich matíc.



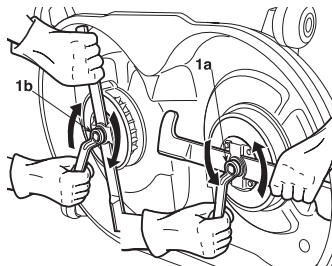
Pri skladaní dbajte na to, aby boli použité dve zadné diery držiakov čapu (7); vykonajte predošlé operácie v opačnom poradí, pričom dohľadnite, aby ste hrdlo zberného kanála správne nasadili na výstup zo žacieho zariadenia.

b) Demontáž, výmena a vyváženie žacích nožov

POZOR! Všetky úkony na žacom zariadení (demontáž, ostrenie, vyvažovanie, opätovné namontovanie a/alebo výmena) vyžadujú určitú zručnosť a špeciálne náradie. Z bezpečnostných dôvodov prenechajte tieto úkony vykonať špecializovanému centru, ak nemáte správne náradie alebo zručnosť.

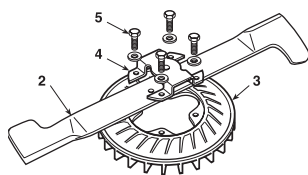
POZOR! Pri manipulácii so žacími nožmi si vždy nasadzte pevné pracovné rukavice.

Pre demontáž noža ho pevne podržte a uvoľnite stredovú skrutku (1a - 1b) použitím 15 mm kľúča v smere naznačenom šípkou pre každý nôž, pričom si všimnite, že skrutka jedného noža má pravostranný závit a druhého ľavostranný závit.

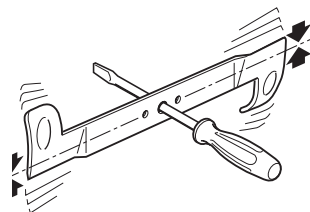


1a = pravostranný závit (uvoľňujte v smere proti hodinovým ručičkám)
1b = ľavostranný závit (doťahujte v smere hodinových ručičiek)

Nôž (2) je spojený s ventilátorom (3), konzolou (4) a štyrmi skrutkami s podložkami (5). Na uvoľnenie štyroch skrutiek (5) použite 10 mm kľúč, a uvoľnite nôž (2) z jeho konzoly (4).



Dve sečné hrany naostríte stredozrnným brúsny kotúčom a skontrolujete vyváženie podržaním noža skrutkovačom v strednej diere.



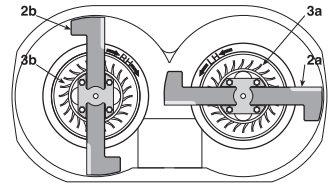
POZOR! Poškodené alebo skrivené nože vždy vymeňte; nikdy sa nepokúšajte ich opraviť! VŽDY POUŽITE ORIGINALNE ŽACIE NOŽE!

Iba nasledovné páry žacích nožov sa môžu na stroji použiť:

HF 2317:	2b	80395-Y09-003 (82004345/1)	-	80394-Y09-003 (82004344/1)	2a
HF 2417:	2b	72511-VK1-A11 (82004341/1)	-	72531-VK1-A11 (82004340/1)	2a
HF 2625:	2b	72511-VK1-B11 (82004343/0)	-	72531-VK1-B11 (82004342/0)	2a

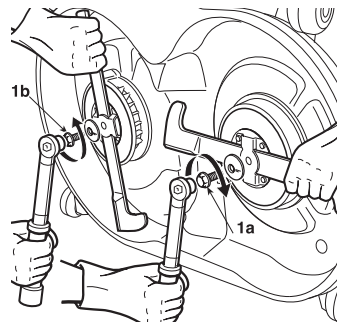
POZOR! Nože (2) a ventilátory (3) sa líšia a otáčajú sa v opačnom smere. Pri inštalácii dávajte pozor, aby ste ich správne nasadili.

Namontujte každý nôž (2a - 2b) na príslušný ventilátor (3a - 3b), rešpektujúc označenia "RH" (pravý) a "LH" (ľavý) na ventilátore a na žacom noži, dotiahnite štyri skrutky (5) s podložkami použitím momentového kľúča nastaveného na 9,5 Nm.

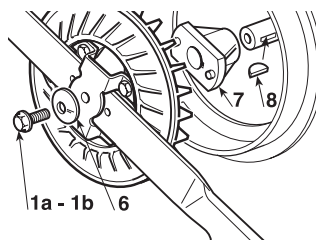


POZNÁMKA Označenia "pravý" a "ľavý" sú odvodené od polohy v smere jazdy.

POZOR! Ak by sa pri demontáži nožov odpojil aj jeden alebo oba náboje hriadele (7), presvedčte sa, že zámky (8) sú bezpečne nasadené na svojom mieste. Pri inštalácii žacích nožov vždy dodržte predpísanú postupnosť, a presvedčte sa, že krídla nožov smerujú do vnútra žacieho zariadenia a hrana šálkovitej podložky (6) tlačí na nôž. Upevňovacie skrutky (1a - 1b) dotiahnite momentovým kľúčom nastaveným na 45-50 Nm.



1a = pravostranný závit (doťahujte v smere hodinových ručičiek)
1b = ľavostranný závit (doťahujte v smere proti hodinovým ručičkám)

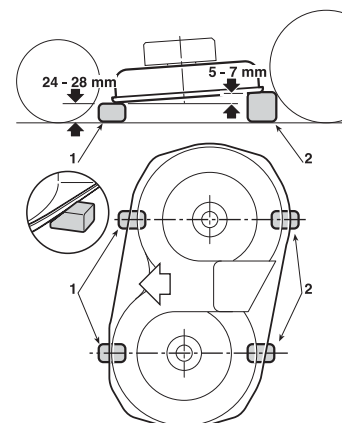


6.3.2 Zarovnanie žacieho zariadenia

Na dosiahnutie pravidelne pokoseného trávnik musí byť žacie zariadenie správne nastavené.

POZNÁMKA Pre dosiahnutie dobrých výsledkov by mala byť predná časť vždy 5 - 7 mm nižšie ako zadná.

- Postavte stroj na vodorovnú plochu a skontrolujte tlak v pneumatikách;



- v osi oboch žacích nožov podložte dva hranoly (1) s výškou 24-28 mm pod prednú hranu žacieho zariadenia a dva hranoly (2) s výškou väčšou o 5-7 mm pod zadnú hranu, a presvedčte sa, že sú umiestnené v stredovej osi žacieho zariadenia;

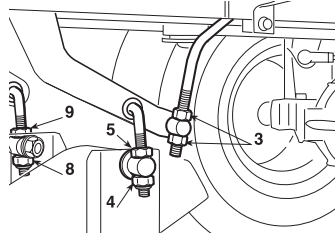
- páku nastavenia výšky dajte do polohy "1".

▶ HF2317♦♦♦

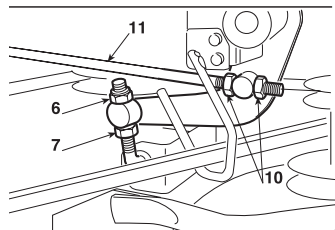
- Úplne uvoľnite dve matice (3), matice (4 - 6 - 8) a poistné matice (5 - 7 - 9) troch tiahiel, pokým teleso žacieho zariadenia nedosadne na hranoly;
- otáčajte dve pravé horné matice (6 - 8) a ľavú dolnú maticu (4), až pokým sa žacie zariadenie nezačne dvíhať; dotiahnite tri poistné matice (5 - 7 - 9) a otáčajte matice (3) až pokým najmenší pohyb zdvíhacej páky nespôsobí podobný pohyb všetkých zdvíhacích tiahiel.

Akýkoľvek rozdiel výšky medzi pravou a ľavou stranou žacieho zariadenia od zeme možno vyrovnať otáčaním dvoch matíc (4 - 8) a poistných matíc (5 - 9) na zadných tiahlach.

- Presuňte ovládaciu páku do 2 alebo 3 polôh a skontrolujte, či sa žacie zariadenie dvíha rovnomerne a že v každej polohe mení výšku konštantne od zeme medzi predným a zadným okrajom.



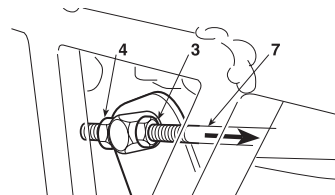
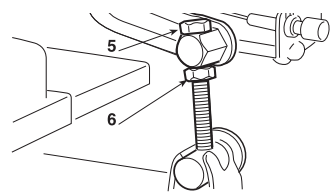
- Ak má predná hrana tendenciu dvíhať sa rýchlejšie alebo pomalšie, môže sa nastaviť otočením matíc (10) na spojovacom tiahle (11).



- Skrútkovaním matíc nadol sa zdvihne predná časť a zrýchli sa, a odskrútkovaním sa dosiahnu opačné účinky.

▶ HF24♦♦♦♦♦ HF26♦♦♦♦♦

- Povoľte matice (3), skrutky (5) a poistné matice (4-6) na pravej aj ľavej strane tak, aby žacie zariadenie pevne dosadlo na hranoly;
- zatlačte dve tiahla dozadu (7) a dotiahnite matice (3) na oboch tiahlach pokým sa obe, ľavá aj pravá strana prednej časti žacieho zariadenia začne dvíhať a potom dotiahnite poistné matice (4);
- otáčajte obe zadné skrutky (5) pokým sa zadná časť žacieho zariadenia práve začne dvíhať na oboch stranách, ľavej aj pravej, potom dotiahnite príslušné matice (6);



Ak nie ste schopný správne nastaviť žacie zariadenie, kontaktujte vášho dealera.

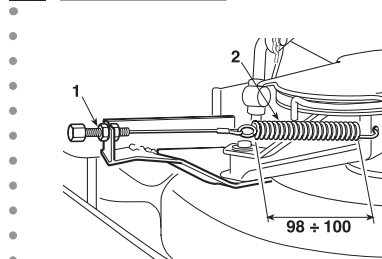
6.3.3 Nastavenie spúšťania a brzdy žacích nožov

Keď pákou odpojíte žacie zariadenie, súčasne sa aktivuje brzda nožov, ktorá zastaví ich rotáciu v priebehu niekoľkých sekúnd. Natiahnuté lanko a/alebo zmena dĺžky remeňa môžu spôsobiť zhoršenie nábehu žacích nožov a ich rotácie.

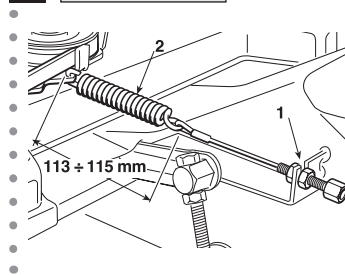
V takom prípade otáčajte nastavovacou maticou v závislosti od modelu.

Nastavte vodiacu lištu (1) tak, aby pružina (2) mala správnu dĺžku.

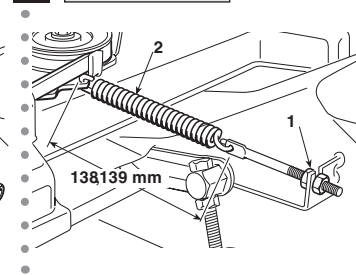
▶ HF2317♦♦♦



▶ HF2417♦♦♦



▶ HF2625♦♦♦



V každom prípade, ak stroj po nastavení nedokáže normálne rozbehnúť remeň, alebo ak sa žacie nože po odpojení nezastavia v priebehu niekoľkých sekúnd, kontaktujte vášho predajcu.

6.3.4 Nastavenie brzdy

Brzdne dráhy, ktoré sú dlhšie, ako tie uvedené (☛ 5.3.6), vyžadujú nastavenie brzdovej pružiny.

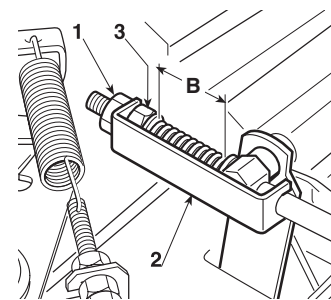
Nastavenie je nutné vykonávať pri aplikovanej parkovacej brzde.

K nastaveniu je možné sa dostať odstránením dvierok umiestnených v tuneli v spodnej časti sedadla.

Povoľte maticu (1), ktorá istí držiak (2) a točte maticou (3) tak, aby bola dĺžka pružiny:

$$B = 45 - 47 \text{ mm}$$

merané z vnútorných strán podložiek. Po vykonaní nastavenia dotiahnite maticu (1).



DÔLEŽITÉ Nedoťahujte skrutky pod tieto hodnoty, aby nedošlo k preťaženiu brzdy.

⚠ POZOR! Ak brzda ani po tomto nastavení nefunguje správne, ihneď kontaktujte vášho predajcu. **NEPOKÚŠAJTE SA VYKONÁVAŤ ŽIADNE INÉ ZÁSADY NA BRZDE AKO SÚ TU POPÍSANÉ.**

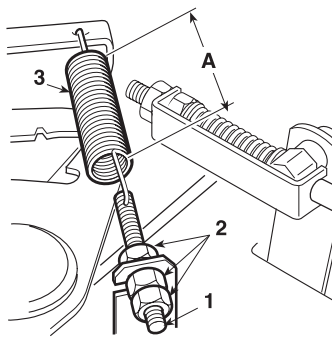
6.3.5 Nastavenie napätia hnacieho remeňa

Ak spozorujete pokles výkonu pohonu vpred, upravte napätie pružiny napínača tak, aby ste sa vrátili do pôvodných podmienok. K nastaveniu je možné sa dostať odstránením dvierok umiestnených v tuneli v spodnej časti sedadla.

Povolte poistné matice (2) a uvoľnite alebo dotiahnite skrutku (1) ako je potrebné na dosiahnutie dĺžky pružiny "A" (3):

A = 109 - 111 mm

meraná k vonkajšiemu koncu pružiny. Po vykonaní nastavenia dotiahnite matice (2).



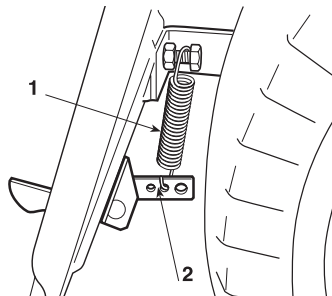
POZNÁMKA

Pri výmene remeňa buďte veľmi opatrný pri prvých použitíach stroja, pretože pokým sa remeň dostatočne nezabehne, môže byť záber prudký.

6.3.6 Nastavenie pružiny háku zberného koša

Ak má zberný kôš tendenciu uvoľniť sa alebo otvárať sa pri jazde na nerovnom teréne, alebo ak je ťažké ho znovu nasadiť po vyprázdnení, je nutné vykonať nastavenie predpätia pružiny (1).

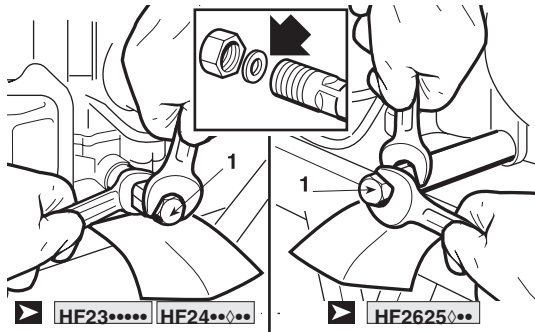
Zmeňte ukotvenie pružiny na jednu z dierok (2), pokým nedosiahnete žiadaný výsledok.



6.4 DEMONTÁŽ A VÝMENA

6.4.1 Výmena motorového oleja

Olej vypúšťajte keď je motor studený.



Vyberte uzáver oleja s mierkou a pod výpustnú trubičku umiestnite papierový kartón alebo niečo podobné, aby sa zabránilo kvapkaniu oleja na šasi stroja.

Odskrutkujte uzáver (1); pri späťnej montáži uzáveru skontrolujte polohu vnútorného tesnenia.

Naplňte odporučeným olejom po hornú značku na mierke (☛ 5.3.3). Zaskrutkujte uzáver s mierkou naspäť.

6.4.2 Výmena olejového filtra

1. Vypustíte motorový olej (☛ 6.4.1).
2. Odmontujte olejový filter (1) kľúčom na filter (2) a vypustite zostávajúci olej. Olejový filter zlikvidujte.

3. Vyčistíte základňu filtra (3).
4. Naneste na nový prstencový tesniaci krúžok (4) na novom filtri čistý motorový olej.
5. Nainštalujte nový olejový filter na základňu filtra a dotiahnite ho rukou, pokým si O-krúžok nesadne na základňu filtra.
6. Dotiahnite olejový filter na predpísaný moment (12 Nm - 1,20 kgm).

DÔLEŽITÉ

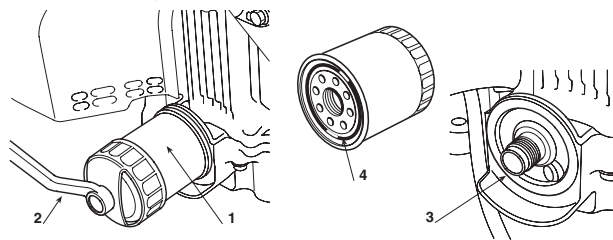
Používajte iba originálny olejový filter Honda alebo filter ekvivalentnej kvality špecifický pre váš model. Použitie nesprávneho filtra Honda alebo neoriginálneho filtra neekvivalentnej kvality môže poškodiť motor.

7. Naplňte motor predpísaným množstvom odporúčaného oleja. Naštartujte motor a skontrolujte únik oleja.
8. Vypnite motor a znova skontrolujte hladinu oleja. Ak je to potrebné, doplňte olej, kým nedosiahnete správnu hladinu.

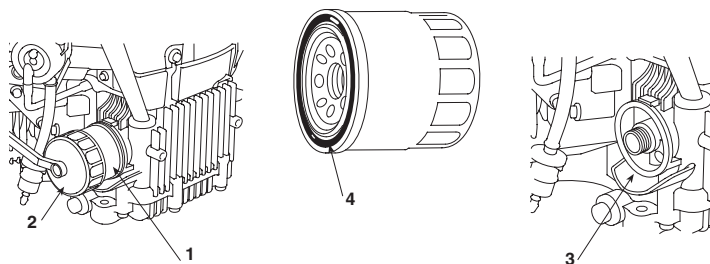
POZNÁMKA

Požiadajte autorizovaného predajcu Honda o radu o kľúči na filter (špeciálne náradie).

HF2625◆◆



HF23◆◆◆◆ HF24◆◆◆◆



6.4.3 Údržba vzduchového filtra

POZOR! Nikdy nečistite vzduchový filter benzínom alebo vysoko horľavými rozpúšťadlami. Mohlo by to spôsobiť výbuch alebo požiar.

DÔLEŽITÉ

Nikdy nenechajte bežať motor bez vzduchového filtra. Cudzie telesá, ako napríklad prach a nečistoty, by sa mohli dostať dovnútra a spôsobiť rýchle opotrebenie motora.

1.

HF23◆◆◆◆ HF24◆◆◆◆

- Odstráňte dve skrutky (1a) krytu vzduchového filtra z krytu vzduchového filtra a odstráňte kryt.
- Vyberte papierovú vložku (3) z puzdra vzduchového filtra (5).
- Vyberte penovú gumenú vložku (4) z krytu vzduchového filtra (2).

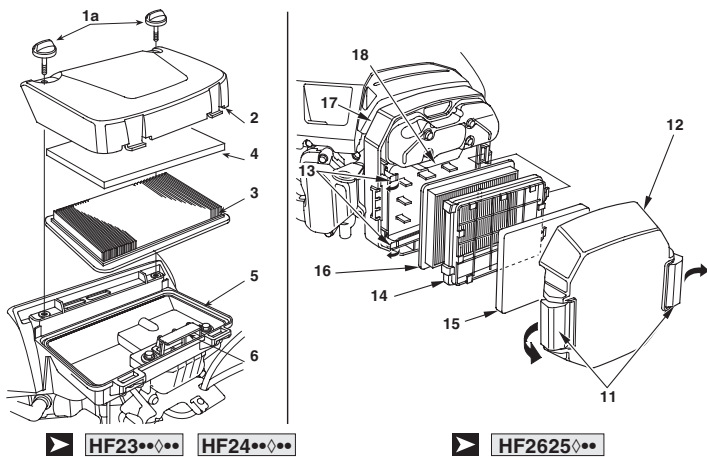
HF2625◆◆◆

- Odstiňte dve zamykacie pútka (11) z krytu vzduchového filtra (12).
- Odpojte dve príchytky (13) z držiaka filtra (14), potom vyberte držiak filtra (14) a vyberte penovú gumenú vložku (15) z držiaka. Vyberte papierovú vložku (16).

2. Ak budete vložky filtra naďalej používať, vyčistite ich.

- **Penová gumená vložka (4-15):** vyčistite v teplej mydlovej vode, opláchnite a úplne vysušte. Alebo vyčistite v nehorľavom rozpúšťadle a vysušte. Namočte vložku do čistého motorového oleja a vytlačte z nej prebytočný olej. Ak zostane v penovej vložke príliš veľa oleja, motor bude pri štartovaní dymiť.

- **Papierová vložka (3-16):** niekoľkokrát zľahka potrepte vložku o tvrdý podklad, aby ste odstránili špinu, alebo prefúknite filter stlačeným vzduchom (nepresahujúcom 2,1 kg/cm² cez filter na strane telesa vzduchového filtra). Nepokúšajte sa odstrániť nečistoty kefoú, kefovanie zatlačí nečistoty do vlákien filtra. Keď je papierová vložka príliš znečistená, vymeňte ju.



- Utrite nečistoty z vnútra puzdra vzduchového filtra (5-17) a krytu použitím vlhkej handričky. Buďte opatrní, aby sa nečistoty nedostali do čistej komory (6-18) vedúcej do karburátora.
- Nainštalujte späť vložky vzduchového filtra a kryt.

▶ **HF23** : Pevne dotiahnite dve skrutky (1a) krytu vzduchového filtra.

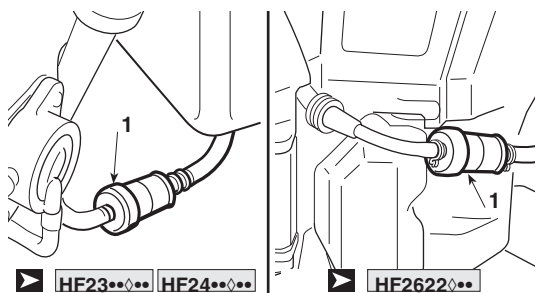
▶ **HF2625** : Bezpečne zaistite poistné západky (11).

POZNÁMKA Počas údržby vzduchového filtra zabráňte vniknutiu prachu, nečistôt a zvyškov do filtračnej komory (teleso vzduchového filtra).

6.4.4 Údržba palivového filtra

POZOR! Benzín je veľmi horľavá látka, ktorá môže za istých podmienok vybuchnúť. Nefajčite ani nepribližujte sa k motoru s plameňom alebo iskrami.

Skontrolujte, či sa v palivovom filtri nahromadila voda alebo sediment (1). Ak sa nahromadila, zaneste motor k vášmu autorizovanému predajcovi Honda.



6.4.5 Údržba sviečok zapalovania

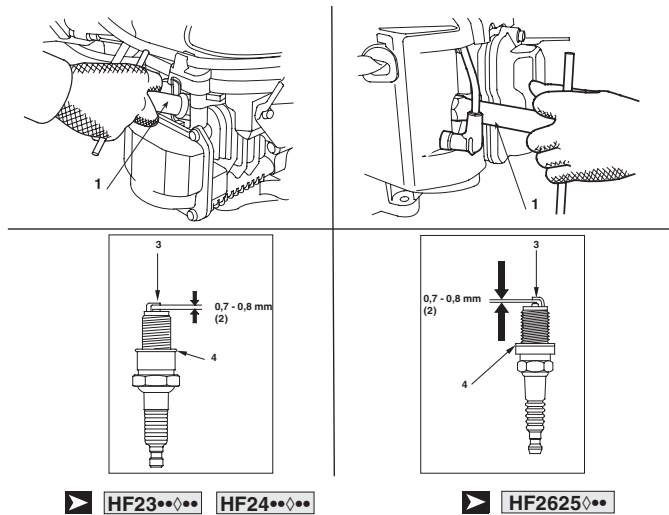
Odporúčané sviečky zapalovania:

▶ **HF23** : BPR5ES (NGK) - W16EPR-U (DENSO).

▶ **HF2625** : ZFR5F (NGK)

DÔLEŽITÉ Nikdy nepoužite sviečku zapalovania s nesprávnym tepelným rozsahom.

Aby bola zaručená správna činnosť motora, musí byť vzdialenosť elektród sviečky zapalovania správna a sviečky zapalovania musia byť bez uhlíkových usadenín.



- Odpojte konektory sviečok zapalovania a použite sviečkový kľúč (1) na vyskrutkovanie oboch sviečok zapalovania.

POZOR! Ak motor bežal, výfuk je veľmi horúci. Buďte opatrní, aby ste sa nepopáliili.

- Vizuálne skontrolujte sviečky zapalovania. Ak je sviečka opotrebovaná alebo ak je izolácia prasknutá alebo poškodená, zlikvidujte ju. Ak chcete sviečku zapalovania znova použiť, očistite ju drôtenou kefkou.
- Na meranie medzery medzi elektródami (2) zapalovacej sviečky použite škáromer, v prípade potreby ju opravte ohnutím bočnej elektródy (3). Odtrh elektród musí byť: 0,7 - 0,8 mm.
- Uistite sa, že podložka sviečky zapalovania (4) je v dobrom stave a zaskrutkujte sviečku zapalovania rukou, aby ste predišli poškodeniu závitov sviečky zapalovania.
- Keď už je sviečka zapalovania vo svojom sedle, dotiahnite ju pomocou sviečkového kľúča (1), aby stlačila podložku.

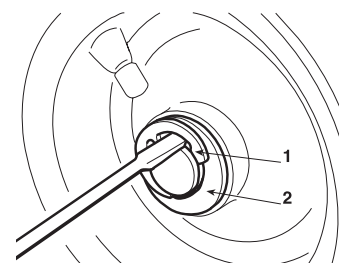
POZNÁMKA Ak inštalujete novú sviečku zapalovania dotiahnite ju ešte asi o 1/2 otáčky po jej dosadnutí, aby sa stlačila podložka. Ak inštalujete použitú sviečku zapalovania dotiahnite ju ešte asi o 1/8 - 1/4 otáčky po jej dosadnutí, aby sa stlačila podložka.

DÔLEŽITÉ Sviečky zapalovania musia byť pevne dotiahnuté. Ak sviečky zapalovania nie sú správne dotiahnuté, môžu sa prehriať a poškodiť motor.

6.4.6 Výmena kolies

Odstavte stroj na vodorovnej ploche a dajte pod rám na strane kde budete vymieňať koleso podložku.

Kolesá sú uchytené poistným C-krúžkom (1), ktorý možno uvoľniť skrutkovačom.



Zadné kolesá sú priamo spojené s osou diferenciálu a uchytené zámkom, ktorý je časťou náboja kolesa.

POZNÁMKA Ak meníte jedno alebo obe zadné kolesá, uistite sa, že majú rovnaký priemer a skontrolujte, či je žacie zariadenie v horizontálnej polohe, aby nedochádzalo k nerovnomernému koseniu.

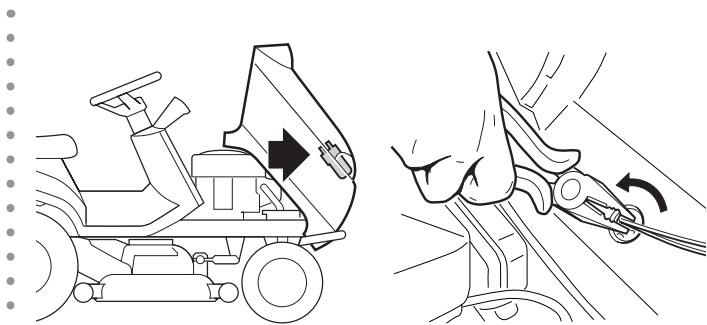
DÔLEŽITÉ Pred nasadením kolesa aplikujte nejakú vodovzdornú vazelinu na os a opatrne nasadte poistný C-krúžok (1) a podložku (2).

6.4.7 Výmena a oprava pneumatík

Na stroji sú použité "Tubeless" (bezdušové) pneumatiky, preto výmena alebo akékoľvek opravy musia byť vykonané špecializovaným servisným strediskom metódami pre tento typ pneumatík.

6.4.8 Výmena žiaroviek

▶ **HF23••♦••** **HF2417HB•**



• Žiarovky (10W) majú bajonetové uchytenie a sú nainštalované v držiaku, ktorý možno vybrať kliešťami otočením proti smeru hodinových ručičiek.

6.4.9 Výmena poistky

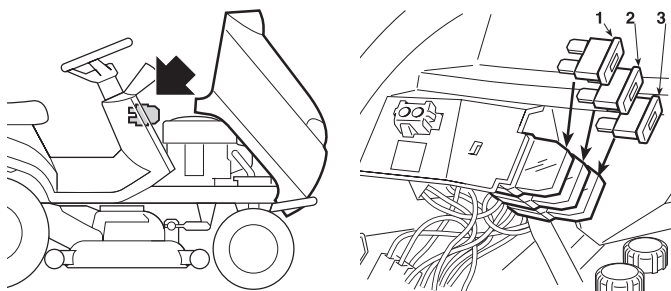
Stroj je vybavený poistkami s rôznymi kapacitami a funkciami, ako je uvedené v nasledujúcej tabuľke:

1 - 10 A - (Červená) všeobecná ochrana a ochrana výkonových obvodov dosky s elektronickými obvodmi;

▶ **HF23••♦••** **HF2417HM•** **HF2625HM•**
• 2 - 15 A - (Modrá) ochrana obvodu dobíjania;

▶ **HF2417HT•** **HF2625HT•**
• 2 - 15 A - (Modrá) ochrana obvodu dobíjania;
• 3 - 10 A - (Červená) ochrana riadiaceho obvodu vyklápania zberného koša trávy.

- Ak dôjde k vypáleniu poistky (1) sa stroj zastaví a ovládací panel je úplne vypnutý.
- Ak dôjde k vypáleniu poistky (2), rozsvieti sa kontrolka batérie (☛ 4.13.f).
 - Ak dôjde k vypáleniu poistky (3), ovládací motor vyklápania zberného koša trávy nebude fungovať.



DÔLEŽITÉ Vypálená poistka musí byť vždy nahradená novou poistkou rovnakého typu a rovnakej prúdovej hodnoty.

Ak neviete zistiť príčinu vypálenia poistky, kontaktujte vášho predajcu.

6.4.10 Výmena remeňov

Výmena remeňov je dosť komplikovaný úkon vyžadujúci demontáž, montáž a správne nastavenie a musí sa vykonať vaším predajcom.

POZNÁMKA Remene vymeňte akonáhle vykazujú zjavné známky opotrebenia! **POUŽITE VŽDY LEN ORIGINALNE NÁHRADNÉ REMENE!**

7. ODSTRAŇOVANIE PORÚCH

PROBLÉM	PRAVDEPODOBNÁ PRÍČINA	RIEŠENIE
1. Keď je kľúč zapalovania v polohe "ZAPNUTÝ", ovládací panel zostane vypnutý bez varovného zvuku.	Bezpečnostný systém elektronického obvodu blokuje pretože: <ul style="list-style-type: none"> – nesprávne napojená batéria – opačne zapojené kontakty batérie – úplne vybitá batéria alebo vadný článok – vypálená poisťka – zlé uzemnenie motora alebo rámu 	Otočte kľúč zapalovania do polohy "VYPNUTÝ" a zistite príčinu problému: <ul style="list-style-type: none"> – skontrolujte kontakty (☛ 3.1) – skontrolujte kontakty (☛ 3.1) – nabite batériu (☛ 6.2.3) – vymeňte poisťku (10 A) (☛ 6.4.9) – skontrolujte kontakty čierneho kábla uzemnenia.
2. Keď je kľúč zapalovania v polohe "ZAPNUTÝ" ovládací panel zostane vypnutý, ale spustí sa nepretržitý varovný zvuk.	Bezpečnostný systém elektronického obvodu blokuje pretože: <ul style="list-style-type: none"> – vlhké elektrické plošné spoje – príliš vysoké napätie batérie – problémy s elektronickými obvody 	Otočte kľúč zapalovania do polohy "VYPNUTÝ" a zistite príčinu problému: <ul style="list-style-type: none"> – vysušte pomocou teplého vzduchu – Skontrolujte napätie batérie. – skontrolujte kontakty (☛ 3.1) – vymeňte batériu – kontaktujte vášho predajcu
3. S kľúčom zapalovania v polohe "START" ovládací panel sa rozsvieti, ale štartér sa netočí.	<ul style="list-style-type: none"> – nedostatočne nabitá batéria – zlé uzemnenie – neboli splnené podmienky pre štartovanie (☛ 5.2) 	<ul style="list-style-type: none"> – nabite batériu (☛ 6.2.3) – skontrolujte spoje uzemnenia – odpojte žacie zariadenie; (ak problém pretrváva, skontrolujte príslušný mikrospínač) – prepnite pohon do neutrálu (N) – sedzte pokojne na sedadle
4. S kľúčom zapalovania v polohe "ŠTART" sa štartér točí, ale motor nenašartuje	<ul style="list-style-type: none"> – nedostatočne nabitá batéria – porucha dodávky paliva – porucha zapalovania – nízka hladina oleja 	<ul style="list-style-type: none"> – nabite batériu (☛ 6.2.3) – skontrolujte hladinu v nádrži (☛ 5.3.3) – Skontrolujte káble ventilu prívodu paliva – Skontrolujte palivový filter (☛ 6.4.4) – skontrolujte či je konektor sviečky zapalovania správne nasadený (☛ 6.4.5) – skontrolujte, či sú elektródy čisté a majú správny odtrh (☛ 6.4.5) – Skontrolujte hladinu oleja a ak je treba dolejte (☛ 5.3.3)
5. Štartovanie je obtiažne, alebo motor beží nepravidelne	– problémy s prípravou palivovej zmesi	<ul style="list-style-type: none"> – vyčistite alebo vymeňte vzduchový filter (☛ 6.4.3) – vypláchnite plavákovú komoru (☛ 5.4.13) – vyprázdňte palivovú nádrž a nalejte čerstvé palivo (☛ 5.4.13) – skontrolujte a vymeňte palivový filter v prípade potreby (☛ 6.4.4)
6. Stroj nešartuje.	– prevodovka nie je v neutráli (N) s "Tempomatom" neodpojeným z predchádzajúceho použitia.	<ul style="list-style-type: none"> – Otočte kľúč zapalovania do polohy "VYPNUTÝ" – Odpojte zariadenie tempomat. (☛ 4.9) – Presvedčte sa, že indikátor neutrálu prevodovky (N) (4.13.j) na displeji svieti. – Ak problém pretrváva, prosím kontaktujte vášho predajcu.
7. Slabý výkon motora počas kosenia	– rýchlosť vpred je príliš vysoká vzhľadom na výšku kosenia (☛ 5.4.5)	– znížte rýchlosť a/alebo zvýšte nastavenú výšku žacieho zariadenia.
8. Motor zastavuje pri spustení žacieho zariadenia.	<ul style="list-style-type: none"> – funkciu spustenia žacích nožov chýba súhlas (☛ 5.2) – žacie zariadenie je spustené v spätnom chode 	<ul style="list-style-type: none"> – sedzte pokojne na sedadle (ak problém pretrváva, skontrolujte príslušný mikrospínač) – skontrolujte, či je zberný kôš alebo ochranný kryt výstupu správne nasadený (ak problém pretrváva, skontrolujte mikrospínač) – Stlačte tlačidlo súhlasu pre kosenie v spätnom chode (☛ 4.7)
9. Zariadenie "Tempomat" sa nespustí (neaktivuje)		
10. Zariadenie "Tempomat" sa nezastaví (nedeaktivuje): <ul style="list-style-type: none"> - stlačením tlačidla v tvare hriby (4.9) - použitím pedálu pohonu vpred (4.22) - použitím brzdového pedála (4.23) 	– komponenty zariadenia sú blokované alebo poškodené	<ul style="list-style-type: none"> – Otočte kľúč zapalovania do polohy "VYPNUTÝ" – Kontaktujte vášho predajcu.
11. Indikátor batérie nezhasne ani po niekoľkých minútach práce	– nedostatočne nabitá batéria	– skontrolujte kontakty

PROBLÉM	PRAVDEPODOBNÁ PRÍČINA	RIEŠENIE
12. Indikátor batérie bliká	– batéria dosahuje prahovú hodnotu prepätia	– Ihneď prepnite spínač zapalovania do polohy "VYPNUTÝ"; – Odpojte batériu; – Kontaktujte vášho predajcu.
13. Indikátor oleja svieti počas prevádzky.	– Problémy s mazaním motora.	Ihneď prepnite spínač zapalovania do polohy "VYPNUTÝ". – doplňte olej (→ 5.3.3) – vymeňte olejový filter (ak problém pretrváva, kontaktujte vášho predajcu).
14. – Zlyhala kalibrácia. Indikátory náklonu (4.13.l) striedavo blikajú	– Strojové podmienky nie sú splnené – vypršal časový limit	– Otočte kľúč do polohy "VYPNUTÝ", skontrolujte stav zariadenia a kontaktujte vášho predajcu, aby znovu nakalibroval snímač.
15. Indikátory náklonu (4.13.l) svietia často nesprávne	– Porucha snímača	– Kontaktujte vášho predajcu
16. –Indikátory náklonu (4.13.l) svietia, keď je povrch rovný alebo iba s malým náklonom.	– jazda nie je vykonávaná bezpečne – nízky tlak v pneumatikách – snímač náklonu nie je nakalibrovaný – problémy s doskou s elektronickými obvodmi	– Jazdite bez náhlych pohybov; štartovanie, zastavenie a riadenie – skontrolujte tlak v pneumatikách – kontaktujte vášho predajcu – kontaktujte vášho predajcu
17. Keď je kľúč zapalovania v polohe "ZAPNUTÝ", zariadenie USB sa nenabíja	– zle zapojené zariadenie – zariadenie nepripojené – porucha USB kábla – príliš vysoká teplota výstupu USB – nedostatočne nabitá batéria	Otočte kľúč zapalovania do polohy "VYPNUTÝ" a zistite príčinu problému: – Skontrolujte zapojenie zariadenia – Skontrolujte zapojenie zariadenia – použite iný USB kábel – počkajte kým výstup vychladne a skúste znova – Skontrolujte napätie batérie a systém dobíjania.
18. Pri dosiahnutí prahovej hodnoty údržby sa kód intervalu údržby nezobrazí. (▶ modely HF2417•••)	– príliš vysoké napätie batérie	– skontrolujte napätie batérie na displeji a počkajte, kým hodnota napätia neklesne pod 12,7 V. Potom skúste znova
19. Kód intervalu údržby a ikona intervalu údržby nie je možné resetovať aj keď je motor vypnutý. (▶ modely HF2417•••)		
20. Časy jazdy (4.13.a.1) sa nezaznamenávajú. (▶ modely HF2417•••)	– odpojený regulátor – Porucha regulátora alebo dosky s elektronickými obvodmi	– Skontrolujte pripojenie regulátora – Skontrolujte napätie batérie s bežiacim motorom Ak je hodnota napätia pod 12,7 V, ide o poruchu regulátora. Ak je hodnota napätia nad 12,7 V, ide o poruchu dosky s elektrickými obvodmi.
21. Časy jazdy (4.13.a.1) sa nezaznamenávajú. (▶ modely HF2625•••)	– odpojený signál otáčok motora – porucha motora alebo dosky s elektronickými obvodmi	– Skontrolujte zapojenie signálu otáčok motora – Skontrolujte číselnú hodnotu a grafický indikátor otáčok motora na displeji s bežiacim motorom. Ak sú číselná hodnota a grafický indikátor zobrazené, môže ísť o poruchu dosky s elektronickými obvodmi. Ak sa nezobrazuje ani jeden, porucha je v motore.
22. Jas LED svetlometu sa počas práce stlmí.	– nízke napätie batérie – Teplota elektronického zariadenia vo vnútri svetlometu je príliš vysoká.	Otočte kľúč zapalovania do polohy "VYPNUTÝ" a zistite príčinu problému: – skontrolujte napätie batérie a systém dobíjania. – počkajte krátky čas Potom, reštartujte
23. LED svetlomet sa nerozsvieti v tmavých podmienkach pri rozsvietenom pozičnom (dennom) svetle.	– odpojený konektor – kábel nesprávne zapojený – problémy s doskou s elektronickými obvodmi – poškodená kabeláž	Otočte kľúč zapalovania do polohy "VYPNUTÝ" a zistite príčinu problému: – skontrolujte spoje a káble – kontaktujte vášho predajcu
24. Pozičné svetlo (denné svetlo) sa nezapne	– odpojený konektor – kábel nesprávne zapojený – poškodená kabeláž	Otočte kľúč zapalovania do polohy "VYPNUTÝ" a zistite príčinu problému: – skontrolujte spoje a káble – kontaktujte vášho predajcu

<p>25. Motor sa zastavil a spustil sa varovný zvuk</p>	<p>Bezpečnostný systém elektronického obvodu blokuje pretože:</p> <ul style="list-style-type: none"> - batéria obsahuje elektrolyt, ale nie je nabitá - prebijanie spôsobené regulátorom nabíjania - zle zapojená batéria (zlý kontakt) - zle uzemnený motor 	<p>Otočte kľúč zapalovania do polohy "VYPNUTÝ" a zistite príčinu problému:</p> <ul style="list-style-type: none"> - nabite batériu (☛ 6.2.3) - kontaktujte vášho predajcu - skontrolujte kontakty (☛ 3.1) - skontrolujte uzemnenie motora
<p>26. Motor sa zastavil, bez akéhokoľvek varovného zvuku</p>	<ul style="list-style-type: none"> - odpojená batéria - žiadne palivo v motore - problémy v motore 	<ul style="list-style-type: none"> - skontrolujte kontakty (☛ 3.1) - skontrolujte uzemnenie motora - kontaktujte vášho predajcu
<p>27. Žacie zariadenie sa nespúšťa</p>	<ul style="list-style-type: none"> - uvoľnený remeň - problémy elektromagnetického spúšťača 	<ul style="list-style-type: none"> - potočte nastavovač (☛ 6.3.3) - kontaktujte vášho predajcu
<p>28. Nepravidelné kosenie a slabý zber trávy</p>	<ul style="list-style-type: none"> - žacie zariadenie nie je paralelné so zemou - neúčinné žacie zariadenie; - rýchlosť vpred je príliš vysoká vzhľadom na výšku trávy (5.4.5) - výstupný kanál je upchatý - žacie zariadenie je plné trávy 	<ul style="list-style-type: none"> - skontrolujte tlak v pneumatikách (☛ 5.3.2) - zarovnajte nastavenie žacieho zariadenia so zemou (☛ 6.3.2) - skontrolujte, či je žacie zariadenie správne nainštalované (☛ 6.3.1) - naostríte alebo vymeňte žacie nože (☛ 6.3.1) - skontrolujte napätie remeňa nožov a ovládacieho lanka páky spúšťania žacích nožov (☛ 6.3.3) - znížte rýchlosť vpred a/alebo zvýšte nastavenú výšku žacieho zariadenia. - počkajte pokým tráva vyschne - snímte zberný kôš a vyprázdnite výstupný kanál (☛ 5.4.7) - vyčistite žacie zariadenie (☛ 5.4.11)
<p>29. Neobvyklé vibrácie pri práci</p>	<ul style="list-style-type: none"> - žacie nože sú nevyvážené - žacie nože sú uvoľnené - uvoľnené skrutky 	<ul style="list-style-type: none"> - vyvážte alebo vymeňte žacie nože ak sú poškodené (☛ 6.3.1) - skontrolujte inštaláciu žacieho zariadenia (☛ 6.3.1) - skontrolujte a dotiahnite všetky skrutky motora a rámu
<p>30. Pri bežiacom motore, sa stroj nepohne po stlačení pedálu pohonu.</p>	<ul style="list-style-type: none"> - dajte páku preč z polohy "B" (☛ 4.24) 	<ul style="list-style-type: none"> - dajte ju do polohy "A"
<p>31. Ťažkosti s ovládaním páky mulčovania (☛ modely HF2417HM• - HF2417HT• HF2625H♦•)</p>	<ul style="list-style-type: none"> - pákou nemožno pohnúť (porucha v dôsledku nahromadenia trávy vo výstupnom kanáli alebo v žacom zariadení) - uzávierka sa nezavrie správne 	<ul style="list-style-type: none"> - odstráňte cudzie predmety vyčistením výstupného kanála alebo žacieho zariadenia - kontaktujte vášho predajcu.

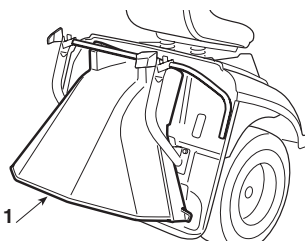
Ak problémy pretrvávajú aj po vykonaní vyššie uvedených úkonov, kontaktujte vášho predajcu.

⚠ POZOR! *Nepúšťajte sa do zložitých opráv, ak nemáte k dispozícii vhodné náradie a potrebné technické vedomosti. V prípade nesprávneho vykonania opravárenských prác automaticky strácate nárok na záruku.*

8. PRÍSLUŠENSTVO (DOPLNKOVÉ VYBAVENIE)

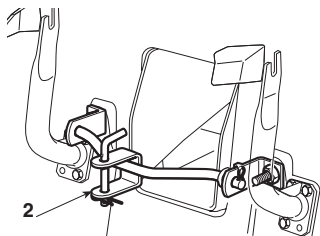
1. KRYT VÝSTUPNÉHO KANÁLA 80609-VK1-003

Pre použitie namiesto zberného koša keď sa pokosená tráva nezberia.



2. ŤAŽNÉ ZARIADENIE 80596-VK1-003

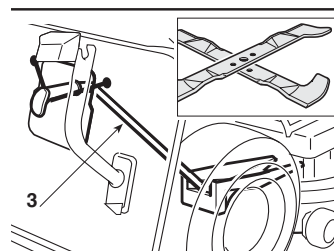
Na ťahanie malého prívesu.



3. MULČOVACIA ZÁTKA A ŽACIE NOŽE

HF2317: 80597-VK1-003
HF2417HB: 06805-VK1-A10

Pokosenú trávu jemne nasekáte a necháte ju na trávniku ako alternatívu k jej zberu do zberného koša.



⚠ POZOR! *Z dôvodu vašej bezpečnosti je prísne zakázané inštalovať akékoľvek iné príslušenstvo, ako je uvedené na zozname vyššie, ktoré bolo navrhnuté výlučne pre model a typ stroja, ktorý používate.*

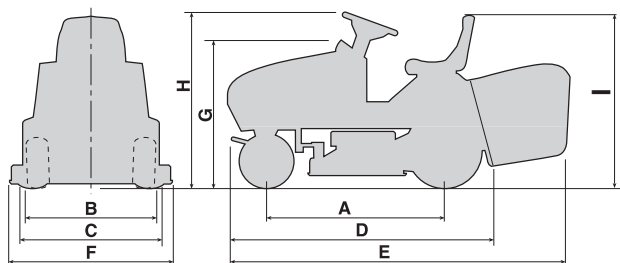
9. TECHNICKÉ ŠPECIFIKÁCIE

MODELY	HF2317HME	HF2417HBE	HF2417HME	HF2417HTE	HF2625HMEH	HF2625HTEH
Funkcia						
Elektrický systém	12 V	12 V	12 V	12 V	12 V	12 V
Batéria	24 Ah	24 Ah	24 Ah	24 Ah	24 Ah	24 Ah
Motor: HONDA	GCV530	GCV530	GCV530	GCV530	GXV690H	GXV690H
Chladiaci systém	Núteným vzduchom					
Počet a konfigurácia valcov (4-takt)	2 / 90 ° V	2 / 90 ° V	2 / 90 ° V	2 / 90 ° V	2 / 90 ° V	2 / 90 ° V
Ventilový rozvod	OHC	OHC	OHC	OHC	OHV	OHV
Celkový zdvihový objem	530 cm ³	530 cm ³	530 cm ³	530 cm ³	690 cm ³	690 cm ³
Efektívny výkon motora (*) kW / min ⁻¹	11,3 kW / 3 600	11,3 kW / 3 600	11,3 kW / 3 600	11,3 kW / 3 600	16,5 kW / 3 600	16,5 kW / 3 600
Menovitý výkon motora kW / min ⁻¹	9,7 kW / 2 800	9,7 kW / 2 800	9,7 kW / 2 800	9,7 kW / 2 800	13,9 kW / 2 800	13,9 kW / 2 800
Prevádzkové otáčky min ⁻¹	2 800 min ⁻¹ (0,-150)	2 800 min ⁻¹ (0,-150)	2 800 min ⁻¹ (0,-150)	2 800 min ⁻¹ (0,-150)	2 800 min ⁻¹ (0,-150)	2 800 min ⁻¹ (0,-150)
Palivo	Bezolovnatý benzín E10					
Množstvo oleja	1,1 litra	1,1 litra	1,1 litra	1,1 litra	1,7 litra	1,7 litra
Predné pneumatiky	13 x 5,00-6	15 x 6,00-6	15 x 6,00-6	15 x 6,00-6	15 x 6,00-6	15 x 6,00-6
Zadné pneumatiky	18 x 8,50-8	18 x 8,50-8	18 x 8,50-8	18 x 8,50-8	18 x 8,50-8	18 x 8,50-8
Tlak predných pneumatík	1,5 bar	1,0 bar	1,0 bar	1,0 bar	1,0 bar	1,0 bar
Tlak zadných pneumatík	1,2 bar	1,2 bar	1,2 bar	1,2 bar	1,2 bar	1,2 bar
Objem palivovej nádrže	5,4 litra	5,4 litra	8,5 litra	8,5 litra	8,5 litra	8,5 litra
Hmotnosť nezaťažená (s olejom bez paliva)	221 kg	243 kg	245 kg	256 kg	267 kg	276 kg
Pohon vpred						
	0 - 8,2 km/h	0 - 8,2 km/h	0 - 8,2 km/h	0 - 8,2 km/h	0 - 8,2 km/h	0 - 8,2 km/h
v spätnom chode	0 - 4,2 km/h	0 - 4,2 km/h	0 - 4,2 km/h	0 - 4,2 km/h	0 - 4,2 km/h	0 - 4,2 km/h
Minimálny polomer nepokosenej trávy	1,0 m	1,0 m	1,0 m	1,0 m	0,8 m	0,8 m
Výška kosenia	29 ÷ 80 mm	29 ÷ 90 mm	29 ÷ 90 mm	29 ÷ 90 mm	29 ÷ 90 mm	29 ÷ 90 mm
Šírka záberu	92 cm	102 cm	102 cm	102 cm	122 cm	122 cm
Objem zberného koša	280 litrov	300 litrov	300 litrov	300 litrov	350 litrov	350 litrov
Systém ovládania zberného koša	manuálny	manuálny	manuálny	elektrický	manuálny	elektrický
Rozmery (mm)						
A	1 150	1 150	1 150	1 150	1 150	1 150
B	835	880	880	880	880	880
C	950	950	950	950	950	950
D	1 870	1 870	1 870	1 870	1 870	1 870
E	2 480	2 460	2 460	2 460	2 460	2 460
F	960	1 060	1 060	1 060	1 250	1 250
G	980	990	990	990	990	990
H	1 100	1 120	1 120	1 120	1 120	1 120
I	1 290	1 290	1 290	1 290	1 290	1 290
Emisie oxidu uhličitého (CO ₂) (**)	Vid' "Informačný list CO ₂ " na www.honda-engines-eu.com/co2					

(**) Meranie CO₂ je výsledkom testu motora (základného) s pevným cyklom za laboratórnych podmienok, ktorý predstavuje typ motora (rad motorov) a neznamená ani nepreukazuje zaručený výkon konkrétneho motora.

Maximálne úrovne hluku a vibrácií

MODELY	HF2317HME	HF2417HBE	HF2417HME	HF2417HTE	HF2625HMEH	HF2625HTEH
Garantovaná hladina hluku (2000/14/ES, 2005/88/ES)	dB (A) 100	100	100	100	105	105
Meraná hladina akustického hluku (2000/14/ES, 2005/88/ES)	dB (A) 100	100	100	100	103	103
Nepresnosť merania	dB (A) 0,67	0,34	0,34	0,34	0,77	0,77
Tlak hluku na ušiach (EN ISO 5395-1:2013 + A1:2018 / EN ISO 5395-3:2013 + A1:2017 + A2:2018)	dB (A) 85	85	85	85	89	89
Nepresnosť merania	dB (A) 0,72	1,20	1,20	1,20	2,03	2,03
Skutočná meraná hodnota vibrácií na sedadle (EN ISO 5395-1:2013 + A1:2018 / EN ISO 5395-3:2013 + A1:2017 + A2:2018)	m/s ² 0,8	0,8	0,8	0,8	0,7	0,7
Nepresnosť merania	m/s ² 0,30	0,24	0,24	0,24	0,18	0,18
Skutočná hodnota vibrácií na volante (EN ISO 5395-1:2013 + A1:2018 / EN ISO 5395-3:2013 + A1:2017 + A2:2018)	m/s ² 2,9	3,3	3,3	3,3	3,5	3,5
Nepresnosť merania	m/s ² 1,07	0,93	0,93	0,93	0,97	0,97



(*) Hodnota výkonu motora uvedená v tomto dokumente je efektívny výstupný výkon testovaný na produkčných motoroch typu GCV530 a GXV690H, meraný podľa SAE J1349 pri 3 600 ot. min⁻¹ (efektívny výkon) a pri 2 800 ot. min⁻¹. (nominálny výkon). Sériovo vyrábané motory môžu mať iné hodnoty. Výkon motora inštalovaného v stroji sa môže líšiť v závislosti od mnohých faktorov, vrátane prevádzkových otáčok motora počas používania, podmienok prostredia, údržby a ďalších premenných

10. ABECEDNÝ INDEX

Akustický signál		
Funkcia.....	4.13-o	
Úkon	5.4.6	
Batéria		
Popis	2.2-7	
Pripojenie	3.1	
Dlhé obdobia nepoužívania	5.4.13	
Údržba a nabíjanie	6.2.3	
Bezpečnosť		
Všeobecné zásady	1.1	
Štítky a piktogramy	1.3	
Zásah zariadenia	5.2	
Kontrola efektivity	5.3.6	
Brzda		
Funkcia pedálu	4.21	
Kontrola efektivity	5.3.4	
Použitie brzdy.....	5.4.3	
Nastavenia	6.3.4	
Dopĺňanie paliva		
Postupy dopĺňania paliva.....	5.3.3	
Indikátory		
Funkcia.....	4.13	
Kolesá		
Výmena	6.4.6	
Kosenie		
Nastavenie výšky	4.6	
Kosenie v spätnom chode	4.7	
Režimy kosenia	5.4.5	
Ukončenie kosenia	5.4.9	
Rady pre kosenie	5.7	
Funkcia "Mulčovanie"	5.4.8	
Kryt výstupného otvoru		
Popis	2.2-5	
Inštalácia na stroj	5.3.5	
Kľúč		
Funkcia.....	4.4	
Motor		
Motorový olej.....	6.4.1	
Olejový filter	6.4.2	
Vzduchový filter	6.4.3	
Palivový filter	6.4.4	
Sviečka zapalovania	6.5.4	
Mulčovanie		
Páka zapojenia.....	4.12	
Funkcia.....	5.4.8	
Parkovacia brzda		
Funkcia páky	4.5	
Pedály pohonu		
Funkcia pedálov	4.22 - 4.23	
Jazda vpred	5.4.2	
Spätný chod	5.4.4	
Plynový pedál		
Funkcia a použitie	4.3	
Pneumatiky		
Tlak v pneumatikách	5.3.2	
Oprava a výmena	6.4.7	
Pohon kolies		
Nastavenie remeňa	6.3.5	
Poistky		
Výmena	6.4.9	
Preprava		
Vykonávacie postupy	5.6	
Prídavný výstup pre príslušenstvo USB		
Funkcia.....	4.10	
Sedadlo		
Popis	2.2-8	
Nastavenie	5.3.1	
Svahy		
Opatrenia pri používaní.....	5.5	
Svetlomety		
Kontrola zapalovania	4.13-i, 4.13-i.1	
Výmena žiarovky	6.4.8	
Sýtič		
Funkcia a použitie	4.2	
Tempomat		
Funkcia a použitie	4.9	
Volant		
Funkcia.....	4.1	
Výstupný kanál		
Popis	2.2-3	
Vyprázdňovanie	5.4.7	
Zberný kôš		
Popis	2.2-4	
Kontrola nakláňania	4.11	
Inštalácia na stroj	5.3.5	
Vyprázdňovanie	5.4.6	
Nastavenie spojky	6.3.6	
Zmena rýchlosti		
Jazda vpred	5.4.2	
Spätný chod	5.4.4	
Zostava žacieho zariadenia		
Popis	2.2-1	
Vnútorne umývanie	5.4.11	
Demontáž.....	6.3.1-a	
Zarovnanie	6.3.2	
Údržba		
Vykonávacie postupy.....	6.1 - 6.2	
Čistenie		
Vykonávacie postupy	5.4.11	
Štartovanie		
Postup štartovania	5.4.1	
Ťahanie		
Inštrukcie	1.4	
Žacie zariadenie		
Popis	2.2-2	
Zapojenie	4.8	
Demontáž a ostrenie	6.3.1-b	
Nastavenie zapojenia	6.3.3	

INLEDNING

Bästa kund!


Tack för att du valt en av våra produkter. Vi hoppas att du blir helt nöjd med din nya åkgräsklippare och att den kommer att uppfylla alla dina förväntningar. Denna bruksanvisning har utformats så att du ska lära känna din maskin och kunna använda den på ett säkert och effektivt sätt. Glöm inte att den är en del av maskinen, så ha den lättillgänglig så att du när som helst kan titta i den. Om du säljer maskinen ska bruksanvisningen följa med till nästa användare.


Din nya maskin har utformats i enlighet med aktuella regelverk och den är säker och pålitlig om den används för gräsklippning och -insamling enligt instruktionerna i denna bruksanvisning (**korrekt användning**). – Om maskinen används på något annat sätt eller instruktionerna för säker användning, underhåll och reparation ignoreras, anses det som **inkorrekt användning** (☛ 5.1) vilket upphäver garantin och tillverkaren kommer att avsäga sig allt ansvar, och placera skulden på användaren för skada på sig själv eller andra i sådana fall.

Eftersom produkten hela tiden förbättras, kan det finnas små skillnader mellan din maskin och beskrivningarna i denna bruksanvisning. Vissa ändringar kan göras på maskinen utan förvarning och utan att bruksanvisningen måste uppdateras, men de viktigaste säkerhets- och funktionsegenskaperna kommer att vara oförändrade. Om du undrar över något kontakta din återförsäljare. Vi önskar dig mycket nöje med ditt arbete!

Kundservice

Den här manualen ger all nödvändig information om hur man använder maskinen och korrekta grundläggande underhållsåtgärder som användaren själv kan utföra. Kontakta återförsäljaren för åtgärder som inte beskrivs i denna bruksanvisning.

 **H | F | 2** | _ | _ | _ | _ | _ | _ | _ | _ | _ | _
Skriv maskinens modellbeteckning här

 **M | A** | _ | _ | _ | _ | _ | _ | _ | _ | _ | _ | _ | _ | _ | _
Anteckna maskinens serienummer här

SÅ HÄR LÄSER DU BRUKSANVISNINGEN



En del avsnitt i manualen innehåller viktig information som rör säkerhet och drift och betonas på följande sätt:

OBS! eller **VIKTIGT** Dessa ger detaljer eller ytterligare information om vad som redan sagts och syftar till att förhindra att maskinen skadas.

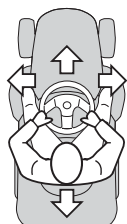
⚠ VARNING! Att ignorera detta kommer att leda till skador på dig själv eller andra.

⚠ FARA! Att ignorera detta kommer att leda till allvarliga skador eller dödsfall för dig själv eller andra.

Manualen beskriver flera maskinmodeller som i huvudsak kan variera med: – typ av transmission: med justering av hydrostatisk kontinuerlig hastighet. – särskilda kopplingar och/eller redskap.

Symbolen  markerar alla skillnader i användning och följs av information om vilken version det handlar om. Symbolen  hänvisar till en annan del av bruksanvisningen där mer information eller förtydliganden finns.

OBS! Vid en hänvisning till en del av maskinen "fram", "bak", "vänster" eller "höger" sida, görs detta i förhållande till när operatören sitter i sätet.



Honda France Manufacturing S.A.S.

Pôle 45 – Rue des Châtaigniers – 45140 ORMES – FRANKRIKE

Med ensamrätt 10-2019 Tryckt i Italien

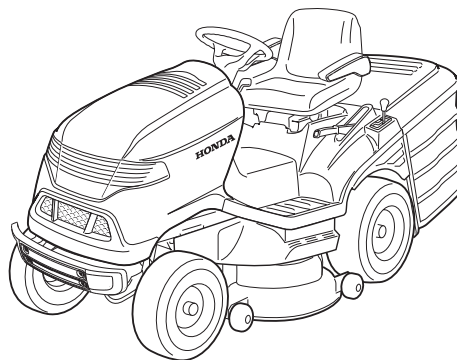
3SCG71505502H15 • HF2317 – HF2417K5 – HF2625

HONDA

ORIGINALINSTRUKTIONER

BRUKSANVISNING

Åkgräsklippare



CE

INDEX

1. SÄKERHETSFORESKRIFTER	2
Regler för säker användning av maskinen	
2. IDENTIFIERING AV MASKINEN OCH DELAR	5
Förklaringar om hur maskinen identifieras och dess huvudkomponenter	
3. UPPACKNING OCH MONTERING	6
Förklaringar om hur förpackningen avlägsnas och hur separerade delar monteras	
4. KONTROLLER OCH INSTRUMENT	8
Placering och funktioner för alla kontroller	
5. BRUKSANVISNINGAR	12
Ger anvisningar för effektivt och säkert arbete	
5.1 Säkerhetsrekommendationer	12
5.2 Orsak till att säkerhetsanordningar griper in	12
5.3 Förberedande åtgärder innan man påbörjar arbetet	13
5.4 Användning av maskinen	14
5.5 Användning på sluttningar	17
5.6 Transportposition	18
5.7 Råd om hur man får bra klippresultat	18
5.8 Summering av de viktigaste stegen som man ska följa när man använder maskinen	19
6. UNDERHÅLL	19
All information för att hålla maskinen i toppskick	
6.1 Säkerhetsrekommendationer	19
6.2 Rutinunderhåll	20
6.3 Kontroller och justeringar	21
6.4 Demontering och byte av delar	24
7. FELSÖKNING	27
Hjälper till med att lösa problemen snabbt	
8. REDSKAP PÅ BEGÄRAN	29
En beskrivning av tillbehör som finns för olika typer av arbete	
9. TEKNISKA SPECIFIKATIONER	30
En sammanfattning av specifikationer för din maskin	
10. ALFABETISKT INDEX	31
Där det finns information	
ADRESSER TILL STÖRRE HONDA-ÅTERFÖRSÄLJARE	i
"EG-försäkran om överensstämmelse" INNEHÅLLSÖVERSIKT	ii

1. SÄKERHETSFÖRESKRIFTER

1.1 ALLMÄNNA SÄKERHETSANVISNINGAR

⚠ VARNING! LÄS IGENOM HELA HÄFTET NOGGRANT INNAN DU ANVÄNDER MASKINEN. Spara för framtida referens.

A) UTBILDNING

1) VARNING! Läs dessa instruktioner noga innan du använder maskinen. Bekanta dig med de olika reglagen och korrekt användning av maskinen. Lär dig hur du snabbt stänger av motorn. Om man inte följer föreskrifter och instruktioner kan det orsaka brand och/eller allvarliga skador. Spara alla föreskrifter och instruktioner som framtida referens.

2) Låt aldrig barn eller personer som inte känner till dessa instruktioner använda maskinen. Lokala bestämmelser kan inskränka åldern för operatören.

3) Använd inte gräsklipparen när människor, i synnerhet barn, eller husdjur befinner sig i närheten.

4) Använd aldrig maskinen om användaren är trött eller sjuk eller har tagit medicin, droger, alkohol eller ämnen som kan hindra hans reflexer och äventyra hans bedömning.

5) Tänk på att du som användare har ansvar för olyckor eller oförutsedda händelser som drabbar andra människor eller deras egendom. Det är användarens ansvar att utvärdera potentiella risker i det område där arbete ska utföras, och vidta alla nödvändiga försiktighetsåtgärder för att garantera sin egen och andras säkerhet, i synnerhet vid körning på sluttningar eller ojämnt, halt eller instabilt underlag.

6) Om maskinen säljs eller lånas ut till andra, se till att operatören ser över instruktionerna i denna bruksanvisning.

7) Låt inte barn eller andra passagerare åka på maskinen då de kan ramla av och skada sig eller äventyra en säker körning av föraren.

8) Maskinföraren måste följa körinstruktionerna noga och särskilt:

- Undvika störningar och vara koncentrerad under arbetet
- Tänk på att man inte återtar kontrollen över en maskin som glider i en sluttning genom att bromsa. Huvudanledning till att man förlorar kontroll är:
 - Otillräckligt hjulgrepp
 - För hög hastighet
 - Felaktig inbromsning
 - Maskinen är inte lämplig inte för uppgiften
 - Bristande kunskap om effekter som kan uppstå på grund av markförhållanden, i synnerhet på sluttningar
 - Felaktig användning som bogsermaskin.

9) Maskinen levereras med en serie mikrobrytare och säkerhetsanordningar som aldrig ska mixtras med eller tas bort. Detta gör garantin ogiltig och fritager tillverkaren från allt ansvar. Kontrollera alltid att säkerhetsanordningarna fungerar som de ska innan du använder maskinen.

B) FÖRBEREDANDE ÅTGÄRDER

1) När du använder maskinen, ska du alltid bära halkfria och motståndskraftiga arbetsskor och långbyxor. Använd inte maskinen om du är barfota eller bär sandaler. Ha aldrig halsduk, skjorta, halsband, armband, kläder med löst hängande delar, skosnören eller slips på dig, eller andra hängande eller fladdrande accessoarer som kan fastna i maskinen, eller andra föremål eller annat material i arbetsområdet. Fäst ihop håret bakåt, om du har långt hår. Använd hörselskydd.

2) Om man använder hörselskydd kan det försämra förmågan att höra eventuella varningssignaler (någon som ropar eller larm som ljuder). Var uppmärksam på vad som händer omkring dig i området där du arbetar.

3) Kontrollera hela arbetsområdet noga och avlägsna alla föremål som kan slungas iväg av maskinen eller skada klippaggregatet eller motorn (stenar, grenar, metalltråd, benbitar m.m.).

4) VARNING: FARA! Bensin är mycket brandfarligt.

- Förvara bränsle i godkända behållare, på en säker plats, på avstånd från öppen eller och värmekällor. Förvara behållarna utom räckhåll för barn.

- Fyll på bränsle, med hjälp av en tratt och endast utomhus, rök inte under denna åtgärd eller när bränsle hanteras.
 - Fyll på med bränsle innan du startar motorn, ta aldrig bort tanklocket eller fyll på bränsle när motorn är igång eller när den är varm.
 - Om bränsle spillts ut, ska du inte försöka starta motorn, utan i stället flytta maskinen från området och undvika att föra in någon antändningskälla innan bränslet och ångorna har avdunstat.
 - Sätt alltid på locken på tank och behållare och skruva åt ordentligt.
 - Undvik att andas in bränsleångor.
 - Öppna bränsletanken långsamt så att trycket inuti får minska gradvis.
 - Starta aldrig maskinen på samma plats som där du fyllde på bränsle. Motorn får inte startas på mindre än 3 meters avstånd från där du fyllde på bränsle.
 - Om du spillt bränsle på kläderna, måste du byta kläder innan du startar motorn.
- 5) Byt skadad ljuddämpare.
- 6) Kontrollera maskinens allmänna skick, innan du använder den, och särskilt utseendet på kniven, och kontrollera att skruvarna och klippaggregatet inte är slitna eller skadade. Byt ut hela kniven och alla skadade eller slitna skruvar för att bevara balansen. Alla reparationer måste göras på ett specialiserat center.
- 7) Kontrollera batteristatus regelbundet och byt ut om det finns några skador på höljet, kåpan eller terminaler.
- 8) Innan arbetet påbörjas, montera alltid skydden (gräsopsamlare, bakre utkastskydd).

C) UNDER ANVÄNDNING

1) Kör inte motorn i slutna utrymmen där farlig kolmonoxid kan utvecklas. Alla startprocedurer ska utföras i ett öppet och välventilerat utrymme. Tänk på att avgaser är giftiga. Rikta inte ljuddämparen, och därmed avgaserna, mot brännbara material när du startar motorn.

2) Arbeta endast i dagsljus eller med god belysning under goda siktförhållanden. Håll personer, barn och djur borta från arbetsområdet. Se till att någon annan vuxen person har barnen under uppsikt.

3) Undvik att arbeta på vått gräs, när det regnar och när det finns risk för åskoväder, i synnerhet blixtnedslag.

4) Innan motorn startas, avaktiverar kniven eller eluttaget och lägg växeln i neutralläge.

5) Var särskilt uppmärksam när du närmar dig hinder som kan äventyra sikten.

6) Lägg i parkeringsbromsen när maskinen parkeras.

7) Maskinen får inte användas på sluttningar över 10° (17 %), oberoende av klippriktningen.

8) Kom ihåg att det inte finns några "säkra" sluttningar. Man ska vara ytterst försiktig när man kör på grässluttningar. För att förhindra att maskinen välter eller att man tappar kontroll över den:

- Stanna eller starta inte plötsligt när du åker uppför eller nedför en sluttning;
- Aktivera kopplingen långsamt och ha alltid en växel ilagd, i synnerhet när du kör nedför en sluttning;
- Maskinens hastighet ska vara låg i sluttningar och i tvära svängar
- Vara uppmärksam på pucklar och håligheter eller andra dolda risker;

- Klipp aldrig långs med på sluttningen. Gräsmattor på en sluttning måste klippas uppåt och nedåt och aldrig tvärs över dem. När du byter riktning, var noga med att hjulen som är vända mot sluttningen inte stöter på några hinder (t.ex. stenar, grenar, rötter, etc.), som kan få maskinen att glida i sidled, välta eller få dig att tappa kontrollen.

9) Minska hastigheten innan du ändrar riktning i sluttningar och aktivera alltid parkeringsbromsen innan du lämnar maskinen stillastående och utan uppsikt.

10) Var mycket försiktig i närheten av raviner, diken och vägbankar. Maskinen kan välta om ett hjul glider över kanten eller om jorden ger vika.

11) Var speciellt uppmärksam när du arbetar vid backning. Titta bakom dig för att se till att det inte finns några hinder framför och under tiden du arbetar vid backning.

- 12) Var försiktig när du drar laster eller använder tung utrustning:
- Använd endast godkända dragkroksfästen vid bogsering.
 - Du ska ha säker kontroll över lasten.
 - Sväng inte hastigt och var försiktig när du backar.
 - Använd motvikt(er) eller hjulvikter när detta rekommenderas i bruksanvisningen.
- 13) Avaktivera kniven eller eluttaget när du passerar områden utan gräs, när du flyttar till eller från områden som kräver klippning, och lyft klippaggregatet till det högsta läget.
- 14) Var uppmärksam på trafiken när du använder maskinen nära vägar.
- 15) **WARNING!** Maskinen är inte godkänd för att köras på allmänna vägar. Den måste användas (enligt vägtrafikförordningen) i privata områden där det inte finns någon trafik.
- 16) Använd aldrig maskinen med skadade, frånvarande eller felaktigt monterade skydd (gräsuppsamlare, bakre utkastskydd).
- 17) Håll alltid händer och fötter borta från knivarna när du startar och använder maskinen. Observera! Knivarna fortsätter att rotera några sekunder efter att de kopplats bort och efter att du stängt av motorn. Håll dig alltid borta från utkastöppningen.
- 18) Låt inte maskinen stå stilla i högt gräs när motorn är på, det kan leda till brandfara.
- 19) När du använder redskapen, ska du aldrig rikta öppningen mot människor.
- 20) Använd endast redskap som tillverkaren rekommenderar.
- 21) Använd inte maskinen om redskap/verktyg inte är installerade på rätt plats.
- 22) Var uppmärksam när du använder gräsuppsamlaren och redskap som kan förändra maskinens stabilitet, särskilt i slutningar.
- 23) Ändra inte motorns inställning och övervarva inte motorn.
- 24) Rör inte motordelarna eftersom de kan bli mycket heta under drift. Risk för brännskador.
- 25) Avaktivera kniven eller eluttaget, lägg i friläge och dra åt parkeringsbromsen, stäng av motorn och ta ur tändningsnyckeln (kontrollera att alla rörliga delar är helt stilla):
- När maskinen lämnas utan tillsyn eller operatören lämnar förarsätet
 - Innan du tar bort hinder eller rensar utkastet
 - Innan du kontrollerar, rengör eller utför arbete på maskinen
 - Efter att du kört på ett främmande föremål. Kontrollera om maskinen är skadad och reparera vid behov innan du startar och använder den igen.
- 26) Avaktivera kniven eller eluttaget och stäng av motorn (se till att alla rörliga delar är stilla):
- Innan du tankar
 - Varje gång du tar bort eller sätter tillbaka gräsuppsamlaren
 - Varje gång du tar bort eller sätter tillbaka utkastskyddet
 - Gör så här innan du justerar klipphöjden, om denna operation inte kan utföras från förarsätet.
- 27) Koppla bort knivarna eller eluttaget under transport och när maskinen inte används.
- 28) Minska inställningen av gasreglaget innan du stänger av motorn. Stäng av bränsletillförseln när arbetet har slutförts, enligt instruktionerna i motorns handbok.
- 29) Var uppmärksam på klippaggregat med mer än en kniv, eftersom en roterande kniv kan göra att de andra roterar.
- 30) Koppla aldrig bort, inaktivera, ta bort eller mixtra med de installerade säkerhetssystemen/mikrobrytarna.
- 31) **WARNING** – Om något går sönder eller en olycka inträffar under arbetet, ska du omedelbart stänga av motorn och flytta maskinen för att förhindra fortsatta skador. Om en olycka inträffar med personskador som följd, ska du omedelbart ge första hjälpen i enlighet med vad situationen kräver och kontakta läkare för nödvändig läkarvård. Ta försiktigt bort skräp som kan orsaka skador på personer, djur eller maskinen om de lämnas kvar.
- 32) **WARNING** – buller och vibrationsnivåer som visas i dessa instruktioner är maxnivåerna för användning av maskinen. Att använda en obalanserad kniv, att köra för fort, eller brist på underhåll har en betydande inverkan på buller och vibrationer. Följaktligen är det nödvändigt att vidta förebyggande åtgärder för att undanröja eventuella skador på grund av höga nivåer av buller och stress på grund av vibrationer. Underhåll maskinen väl, bär hörselskydd, och ta pauser när du arbetar.
- 33) Använd inte USB-tillbehör när du klipper gräs eller kör.

D) UNDERHÅLL OCH FÖRVARING

- 1) **WARNING!** – Före rengöring, underhåll eller reparationsarbete, ska du ta ut tändningsnyckeln och läsa relevanta instruktioner. Bär lämpliga kläder och skyddshandskar när händerna är i riskzonen.
- 2) **WARNING!** – Använd inte maskinen om komponenter är skadade eller slitna. Defekta eller utslitna delar måste alltid bytas ut, inte repareras. Använd endast originalreservdelar: användning av icke-original och/eller felaktigt monterade delar kommer att äventyra säkerheten för maskinen, det kan orsaka olyckor eller personskador som tillverkaren under inga omständigheter har ansvar för.
- 3) Alla justeringar eller underhållsarbeten som inte beskrivs i denna handbok måste utföras av din återförsäljare eller ett specialiserat servicecenter med nödvändig kunskap och utrustning, för att säkerställa att arbetet görs på rätt sätt och upprätthåller maskinens ursprungliga säkerhetsnivå. Alla operationer som utförs i obehöriga center eller av obehöriga personer gör garantin helt ogiltig och upphäver alla skyldigheter och allt ansvar från tillverkaren.
- 4) Ta ur tändningsnyckeln och kontrollera eventuella skador efter varje användning.
- 5) Se till att alla muttrar, bultar och skruvar är åtdragna för att säkerställa att utrustningen är i ett riskfritt driftskick. Rutinunderhåll är viktigt för säkerheten och för att upprätthålla en hög prestandanivå.
- 6) Kontrollera regelbundet att knivens skruvar är ordentligt åtdragna.
- 7) Använd arbetshandskar när du hanterar, demonterar och återmonterar alla knivar.
- 8) Håll kniven välbalanserad när den slipas. Allt arbete som utförs på kniven (demontering, slipning, balansering, återmontering och/eller byte) kräver både specialkunskaper och specialverktyg. Av säkerhetsskäl är det bäst att dessa arbetsuppgifter görs av en behörig serviceverkstad.
- 9) Kontrollera regelbundet att bromsarna fungerar som de ska. Det är viktigt att bromsarna underhålls regelbundet och, vid behov, repareras.
- 10) Kontrollera utkastidoskyddet, utkastskyddet, gräsuppsamlaren och insugningsgallret ofta. Byt ut dem om de är skadade.
- 11) Byt ut alla instruktioner och varningsmeddelanden, om de är skadade.
- 12) När maskinen ska förvaras eller lämnas utan tillsyn, ska klippaggregatet sänkas.
- 13) Förvara maskinen utom räckhåll för barn.
- 14) Förvara inte maskinen med bränsle i tanken i ett område där bränsleångorna kan nå en öppen eld, en gnista eller en stark värmekälla.
- 15) Låt motorn svalna innan du förvarar den i ett slutet utrymme.
- 16) För att minska brandfaran, ska den plats där motorn, ljuddämparen, batterifacket och bensinen förvaras hållas fria från gräs, löv eller överdrivna mängder fett. Töm alltid gräsuppsamlaren och lämna inte behållare fulla med gräs inne i förvaringsutrymmen.
- 17) För att minska brandrisken, kontrollera regelbundet att det inte finns något olje- och/eller bränsleläckage.
- 18) Om bränsletanken måste tömmas ska detta göras utomhus när motorn har svalnat.
- 19) Lämna aldrig nyckeln i tändningen eller inom räckhåll för barn och obehöriga personer. Ta alltid ur tändningsnyckeln innan underhåll utförs.
- 20) Var försiktig vid justering av maskinen för att förhindra att du fastnar med fingrarna mellan det rörliga knivbladet och maskinens fasta delar.

E) TRANSPORT

1) VARNING! – Om maskinen måste transporteras på en lastbil eller släpvagn, använd ramper med lämpligt motstånd, bredd och längd. Maskinen ska vara avstängd och utan förare när den lastas för transport. Det krävs flera personer för att lyfta upp den. Under transport, sänk klippaggregatet eller tillbehöret, aktivera parkeringsbromsen, placera maskinen så att den inte kan utgöra någon fara för människor och fäst den ordentligt för transport med hjälp av rep eller kedjor för att förhindra att den välter och orsakar skador eller bränsleläckage.

F) MILJÖSKYDD

1) Miljöskydd måste prioriteras mycket högt när maskinen används, både av sociala och miljömässiga skäl. Försök att undvika att störa dina grannar.

2) Var mycket noga med att följa lokala regler och föreskrifter vad gäller kassering av förpackningar, olja, bensin, filter, skadade delar eller andra element som har en skadlig inverkan på miljön. Detta avfall ska inte slängas i hushållsavfallet, det ska separeras och tas till särskilda återvinningscentraler.

3) Följ lokala föreskrifter till punkt och pricka för avfallshantering efter klippning.

4) När det är dags att kassera maskinen, måste detta ske utan att miljön förorenas. Lämna maskinen till en återvinningscentral där den kan avfallshandteras enligt gällande lagar och förordningar.

1.2 BESKRIVNING AV MASKINEN OCH DESS ANVÄNDNINGSSOMRÅDE

Denna maskin är ett trädgårdsverktyg och exakt uttryckt en åkgräsklippare med sittande operatör.

Maskinen är försedd med en motor som driver en klippenhet som skyddas av ett hölje, samt en transmissionsenhet som förflyttar maskinen.

Föraren kan manövrera maskinen och använda de viktigaste kontrollerna, från sitt läge sittande i förarsätet.

Enheterna som är monterade på maskinen stoppar motorn och kniven inom några sekunder, om operatören skulle bete sig på ett sätt som inte överensstämmer med de nödvändiga säkerhetsåtgärderna.

Avsedd användning

Den här maskinen har konstruerats och byggts för att klippa gräs. Användandet av specialredskap som erbjuds av tillverkaren som originalutrustning eller som kan köpas separat, gör att detta arbete kan utföras i olika driftslägen, vilket visas i den här bruksanvisningen eller de bruksanvisningar som medföljer varje enskilt redskap.

På samma sätt kan den avsedda användningen utvidgas till att omfatta andra funktioner, genom att kompletterande redskap används (om sådana erbjuds genom tillverkaren), med iakttagande av de begränsningar och villkor som anges i instruktionerna som medföljer det bifogade redskapet.

Olika typer av användare

Denna maskin är avsedd att användas av konsumenter, det vill säga nybörjare och/eller första gångs-operatörer och inte proffs. Maskinen är endast avsedd för "gör det själv".

Olämplig användning

Annan användning som inte överensstämmer med det ovannämnda kan vara farligt och skada personer och/eller skada saker. Exempel på olämplig användning kan vara, men begränsas inte till:

- transportera människor, barn eller djur på maskinen eller på ett släp
- bogsera eller dra laster utan att använda specificerat redskap för bogsering

- använda maskinen för att åka på instabilt, halt, isigt, stenigt, ojämnt eller vattensjukt underlag och pölar som inte möjliggör bedömning av markens beskaffenhet
- använda kniven på annat underlag än gräs
- använda maskinen för uppsamling av löv eller skräp.

Om maskinen används på ett olämpligt sätt, leder detta till att garantin inte gäller, och följden blir att användaren ansvarar för alla skador på sig själv eller andra.

1.3 SÄKERHETSDEKALER

Din maskin måste användas med försiktighet. Därför finns det dekaler på maskinen som genom bilder påminner dig om viktiga försiktighetsåtgärder som måste vidtas vid användning. Dessa dekaler betraktas som en integrerad del av maskinen. Om en decal skulle ramla av eller bli oläslig, ska du kontakta återförsäljaren så att du kan få nya. Deras innebörd förklaras nedan.



- 1 = Varning:** Läs instruktionerna innan du använder maskinen.
- 2 = Varning:** Koppla ur nyckeln och läs instruktionerna innan du utför underhåll eller reparationsarbeten.
- 3 = Fara! Utkastade föremål:** Använd inte gräsklipparen utan att utkastskyddet eller gräsuppsamlaren är på plats.
- 4 = Fara! Utkastade föremål:** Håll åskådare borta.
- 5 = Fara! Maskinen kan välta:** Använd inte denna maskin i sluttningar på mer än 10°.
- 6 = Fara! Skärskador:** Se till att barn aldrig befinner sig i närheten av maskinen när motorn är igång.
- 6a =** Stig inte på maskinen genom att stiga på klippaggregatet.



- 7 = Risk att skära sig själv.** Kniven är i rörelse. Håll inte händer eller fötter nära eller under knivbladskåpens öppning.
- 8 = Varning:** Mixtra inte med mikrobrytarna.
- 9 = Undvika skador orsakade av den roterande remmen:** Starta aldrig maskinen om inte alla säkerhetsskydd sitter på plats. Håll dig på avstånd från remmarna.



- 10 = Varning:** Läs instruktionerna innan du använder maskinen.
11 = Varning: Motorn släpper ut kolmonoxid som är en giftig gas. Kör den inte i ett instängt utrymme.
12 = Varning: Bensin är mycket lättantändlig och explosiv. Stäng av motorn och låt den svalna före bränslepåfyllning.



13 = Varning: Ljuddämparen blir mycket varm under drift och förblir varm en tid efter att motorn stängts av.



14 = Detta är en återvinningsbar produkt. Den innehåller bly. Avyttra den i enighet med gällande lagar.



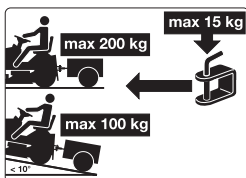
- 15 = Brandfarliga ångor** – Undvik öppen eld.
16 = Använd skyddsglasögon.
17 = Förvara utom räckhåll för barn.
18 = Korrosiva vätskor. Om man får vätskan i ögonen, ska man omedelbart skölja med vatten och kontakta en läkare.
19 = Läs användarinstruktionerna.
20 = Explosionsrisk.

1.4 FÖRESKRIFTER VID BOGSERING

Man kan beställa en bogseringssats för ett mindre släp. Detta tillbehör måste monteras i enlighet med de instruktioner som medföljer.

När man använder bogseringssatsen ska man inte överskrida rekommenderade dragbara laster som anges på dekalen samt följa säkerhetsanvisningarna (☛ 1.2, C-6).

Total bogseringsvikt: på plan mark: 200 kg eller mindre
 på en sluttning (10° eller mindre): 100 kg eller mindre

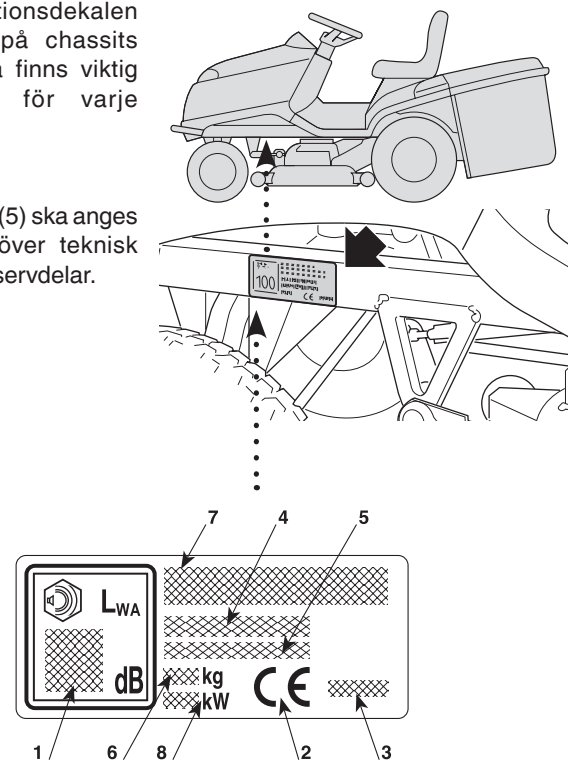


2. IDENTIFIERING AV MASKINEN OCH KOMPONENTER

2.1 IDENTIFIERING AV MASKINEN

På informationsdekalen som sitter på chassits vänstra sida finns viktig information för varje maskin.

Serienumret (5) ska anges när du behöver teknisk hjälp eller reservdelar.



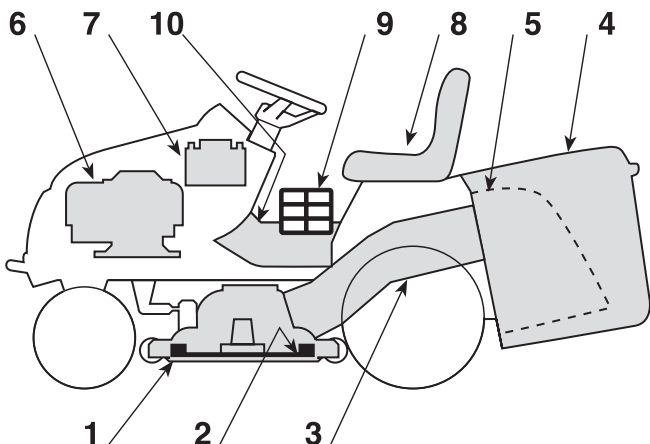
1. Ljudtrycksnivå enligt direktiven 2000/14/EG, 2005/88/EG
2. Konformitetsmarkering enligt direktiven 2006/42/EG, 2005/88/EG, 2014/30/EU
3. Tillverkningsår
4. Modell och typ av maskin
5. Serienummer
6. Vikt i kg (med tom tank)
7. Namn och adress för tillverkaren visas i EG-försäkran om överensstämmelse – INNEHÅLLSÖVERSIKT, inuti denna bruksanvisning.
8. Nominell motoreffekt (vid 2800 min⁻¹)

HUR DU KÄNNER IGEN MASKINEN

Förberedelser, användning och underhåll av ett antal maskiner med olika funktioner beskrivs i denna bruksanvisning. Därför är det viktigt att du identifierar din maskinmodell så att du kan ta del av all information om den.

Maskinmodellen anges på identifieringsskylten i punkt 4 och den består av ett antal bokstäver och siffror.

På följande sidor i denna bruksanvisning anges modellen eller modellerna som åtgärderna gäller för i förhand. Om modell inte anges innebär det att informationen gäller för alla modeller.



2.2 IDENTIFIERING AV HUVUDKOMPONENTER

Maskinen består av en serie huvudkomponenter som har följande funktioner:

- 1. Klippaggregat:** det är höljet som inrymmer de roterande knivarna.
- 2. Knivar:** det är dessa som klipper gräset; fenorna i ändarna hjälper till att föra det klippta gräset mot utkastet.
- 3. Utkast:** denna del ansluter klippaggregatet till gräsupsamlaren.
- 4. Gräsupsamlare:** här samlas det avklippta gräset, men det är även en säkerhetsanordning eftersom föremål som kniven kan ha dragit upp stannar här och inte slungas ut från maskinen.
- 5. Bakre utkastskydd** (finns som tillbehör): Detta kan monteras i stället för gräsupsamlaren och förhindrar föremål från att dras upp av knivarna och kastas ut från maskinen.
- 6. Motor:** den sätter knivarna i rörelse och driver hjulen.
- 7. Batteri:** ger energi vid start av motorn. Specifikationer och regler för användning beskrivs i en särskild bruksanvisning.
- 8. Förarsäte:** här sitter maskinens operatör. Den har en sensor som är ansluten till säkerhetsanordningar för att känna av att någon sitter i sätet.
- 9. Föreskrifts- och säkerhetsdekal:** påminner om viktiga föreskrifter för att arbeta säkert och de förklaras i kapitel 1.
- 10. Inspektionslucka:** för att flera olika justeringar ska kunna göras.

3. UPPACKNING OCH MONTERING

Av förvarings- och transportskäl monteras inte vissa delar direkt på fabriken. Dessa ska monteras efter att de packats upp. Följ instruktionerna nedan.

⚠ VARNING! *Uppackning och montering ska göras på ett plant och stabilt underlag där det finns tillräckligt med utrymme för hantering av maskinen och dess emballage. Använd alltid lämplig utrustning. Använd inte maskinen förrän alla angivna instruktioner i avsnittet MONTERING har genomförts.*

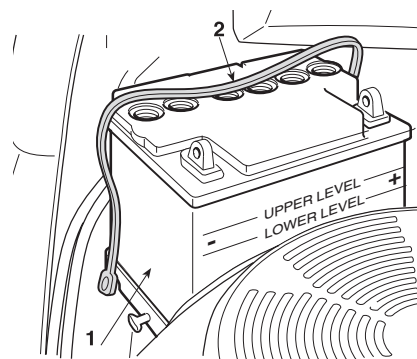
3.1 AKTIVERING OCH INKOPPLING AV BATTERIET

VIKTIGT TORRLADDAT BATTERI!

Batteriet (1) sitter bakom motorn och är fastspänt med en rem (2).

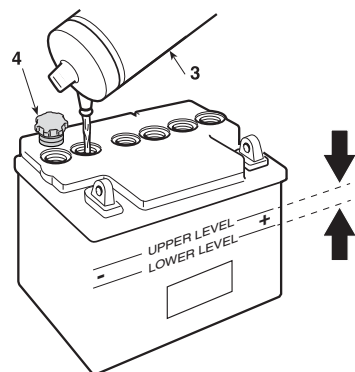
Lossa på remmen (2) och ta bort batteriet.

Lossa på förseglingstejpen, håll i den elektrolytiska lösningen (3) (utspädd svavelsyra medföljer inte: specifik vikt 1,280) och fördela den jämnt mellan de sex elementen till dess att den når markeringen "UPPER LEVEL" på batteriet.



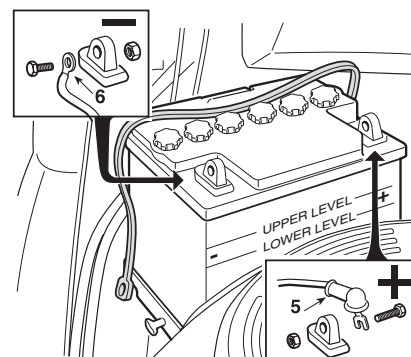
VIKTIGT Den elektrolytiska lösningen får inte överskrida en temperatur på 30°C under påfyllningsprocessen.

Låt batteriet stå i åtminstone en halvtimme efter att det fyllts på. Nivån för den elektrolytiska lösningen ska sjunka. Fyll på mer av den elektrolytiska lösningen upp till referensmarkeringen "UPPER LEVEL".



Det är viktigt att nivån hela tiden befinner sig mellan referensmarkeringarna "UPPER LEVEL" och "LOWER LEVEL" på batteriet.

Sätt tillbaka och dra åt de sex locken (4) och ladda batteriet.



VIKTIGT När du har aktiverat batteriet, laddar du alltid batteriet helt med hjälp av din återförsäljare, som har rätt utrustning. Batteriladdaren kan INTE ladda upp batteriet för första gången efter aktivering.

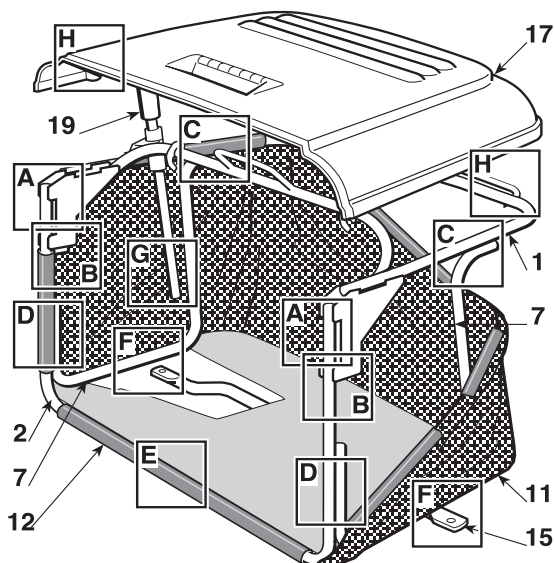
Anslut först den röda kabeln (5) till den positiva polen (+) och därefter den svarta kabeln (6) till den negativa polen (-), med hjälp av de medföljande skruvarna som bilden visar. Applicera silikonfett på terminalerna och kontrollera att skyddslocket för den röda kabeln (5) är på plats.

VIKTIGT För att förhindra att säkerhetsanordningen på elektronikkortet löser ut, ska man aldrig starta motorn förrän batteriet är helt laddat!

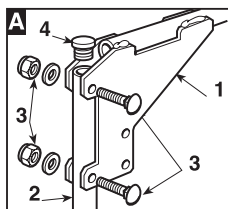
⚠ VARNING! Batterisyra är korrosiv och förorenande. Använd skyddshandskar när du handskas med batteriet och när du avyttrar batteriet i enlighet med de bestämmelser som gäller.

VIKTIGT Använd ENDAST specificerad batterimodell. CNB 31500-VK1-810-M1.

3.2 MONTERA GRÄSUPPSAMLAREN

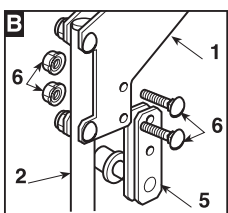


A) Fäst den övre ramdelen (1) i den främre delen (2) med de medföljande skruvarna och muttrarna (3) såsom visas. Sätt i de två gummihattarna (4) i hålen på de främre ramrören (2).



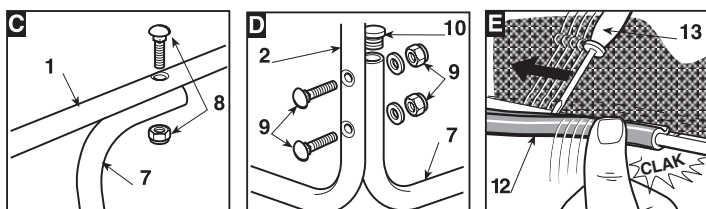
▶ HF2...HT

B) Innan du drar åt muttrarna (3) helt, ska du föra in de två stöden (5) mellan de övre chassi-plattorna (1), med rullarna vända inåt och fästa dem med skruvar och muttrar (6). Dra sedan åt muttrarna (3).



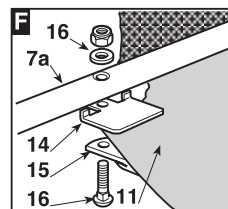
C-D) Montera de två sidodelarna (7), med skruvar och muttrar (8 och 9) såsom visas. Sätt i de två gummihattarna (10) i hålen på de två sidodelarna (7).

E) För in den hopmonterade ramen i täckduken (11) så att den sitter korrekt kring basen. Haka fast plastprofilerna (12) i ramrören med hjälp av en skruvmejsel (13).

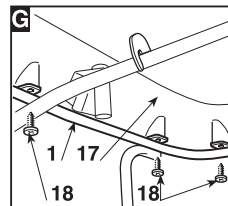


▶ HF2...HB **HF2...HM**

F) Placera plattan (14) mellan duken och den nedre delen av chassits högra del (7a), så att hålen är i linje med varandra.



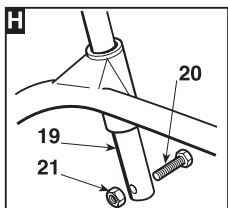
F) Fäst förstyrningsstaget (15) under ramen med skruvar och muttrar (16) och med den platta delen vänd mot duken.



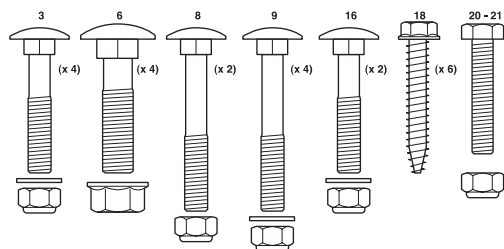
G) Montera skyddet (17) och fäst det på den övre delen av ramen (1) med de sex skruvarna (18).

▶ HF2...HB **HF2...HM**

H) Sätt tömningsspaken (19) på plats och sätt i stoppskruven (20) med dess mutter (21).

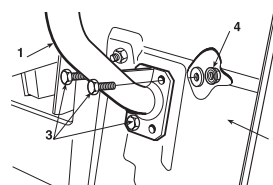


3.3 MONTERA GRÄSUPPSAMLAREN



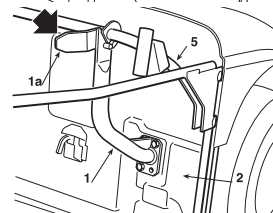
Fäst de två konsolerna (1) mot den bakre plåten (2) med de tre skruvarna (3) som medföljer för varje konsol, såsom visas, utan att helt dra åt muttrarna (4).

Fästena (1) måste monteras på så sätt att flänsarna (1a) pekar inåt.

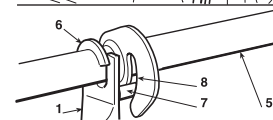


Fäst på stödets övre del (5) på gräsuppsamlarens ram och centrera det med den bakre plattan (2).

Justera placeringen av de två fästena (1) i förhållande till spåret (6), så att stiftet (7) glider in i spåret (8) när man vrider på gräsuppsamlarens ram.



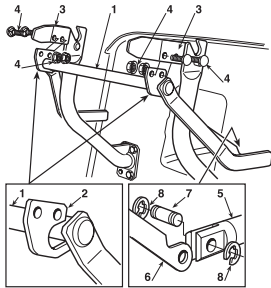
Se på nytt till att ramen (5) är ordentligt centrerad i förhållande till den bakre plattan (2) och att den roterande rörelsen sker regelbundet, så som visas ovan. Dra sedan åt skruvarna (3) och fästmuttrarna (4) helt och hållet.



3.4 MONTERA SPAKARNA FÖR ATT TIPPA GRÄSUPPSAMLAREN

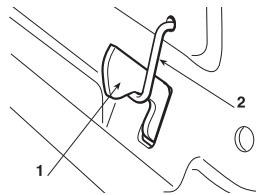


- Passa in spakaxeln (1) i spåret mellan de två plattorna (2) och fäst dem vid gräsuppsamlarens inre fästen (3) med de medföljande muttrarna och skruvarna (4), så som visas i sekvenser i figuren.
- Anslut änden på lyftstången (5) till hävstången (6) med hjälp av stiftet (7) och de två låsbrickorna (8).
- Innan du monterar gräsuppsamlaren i stöden ska du kontrollera att tippningsspaken kan manövreras utan problem.

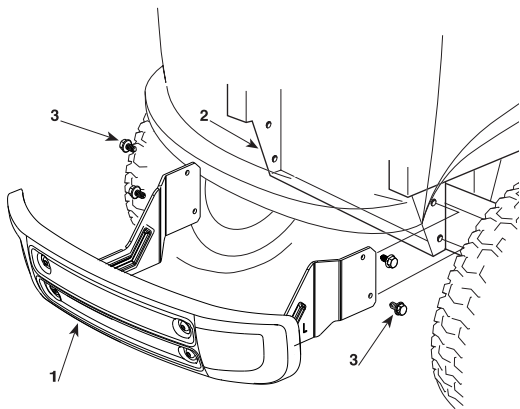


3.5 BORTTAGNING AV SPÄRRFJÄDERNS HÅLLARE

Av transportskäl hålls gräsuppsamlarens spärrfjäder (1) fast mot den bakre plattan med hjälp av en hållare (2). Denna hållare måste tas bort innan gräsuppsamlarens ram monteras och ska inte användas något mer.

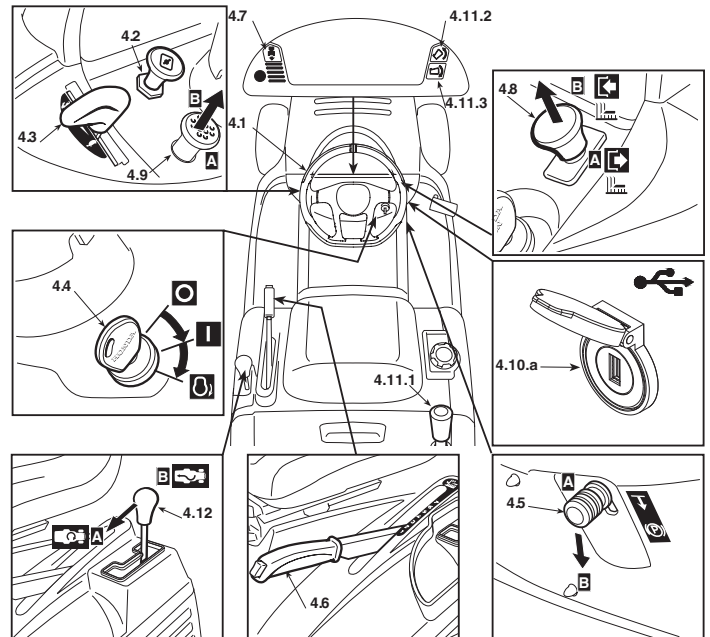


3.6 MONTERING AV DEN FRÄMRE STÖTFÅNGAREN



Montera den främre stötfångaren (1) längst ner på ramen (2) med hjälp av de fyra skruvarna (3).

4. KONTROLLER OCH INSTRUMENT



4.1 RATT

Svänger framhjulen.

4.2 CHOKE-KONTROLL

Används för att starta motorn när den är kall. Den gör bränsleblandningen fetare och får bara användas under det tid som behövs.

4.3 GASSPAK

Justerar motorns varvtal. Positionerna visas på plattan och representeras av följande symboler:

☐ "LÅNGSAMT" för lägsta motorvarvtal

☐ "SNABBT" för högsta motorvarvtal

- När du förflyttar dig från ett område till ett annat, ska reglatet vara mellan "LÅNGSAMT" och "SNABBT".
- Växla till "SNABBT" när du klipper.

4.4 TÄNDNINGSNYCKEL

Denna nyckel har tre lägen:

○ "AV" allt är avstängt

I "PÅ" aktiverar alla delar

🔑 "START" Slår på startmotorn för att starta motorn.

När nyckeln släpps från läget "START" går den automatiskt tillbaka till "PÅ".

4.5 PARKERINGSBROMSHANDTAG

Det här reglaget hindrar maskinen från att röra sig när den är parkerad. Det finns två lägen:

↓ "A" = Broms urkopplad

Ⓟ "B" = Broms inkopplad

- Bromsen kopplas in genom att man trycker ner pedalen (4.21) hela vägen och flyttar reglaget till läge "B". När du tar bort foten från pedalen kommer den att vara låst av handtaget i nedtryckt läge.
- Att bromsen är inkopplad visas med att signallampen (4.13.e) är tänd.
- Tryck ner pedalen (4.21) för att koppla ur parkeringsbromsen. Handtaget kommer att gå tillbaka till läge "A".

4.6 JUSTERINGSSPAK FÖR KLIPPHÖJD

Använd den här spaken för att höja eller sänka klippaggregatet till en av 7 olika klipphöjder.



De sju olika positionerna för spaken visas som 1 till 7 på dekalen och motsvarar olika klipphöjder vars värden finns i tabellen Tekniska egenskaper (☛ kap. 10).



- När man ska ändra klipphöjd trycker man på frigöringsknappen längst upp på spakens.

4.7 KNAPPEN SOM TILLÅTER KLIPPNING I BACKLÄGE



Genom att trycka på och hålla nere knappen, kan man växla till backväxel samtidigt som knivarna är aktiverade utan att motorn stannar.

4.8 KONTROLLER FÖR AKTIVERING AV KNIVAR OCH BROMS

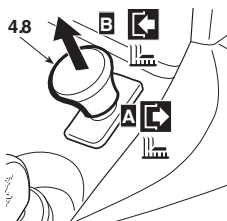
Med den svampformade knappen kan du aktivera knivarna med hjälp av den elektromagnetiska kopplingen:



☛ "A" Intryckt
= Knivarna
avaktiverade



☛ "B" Utdragen =
Knivarna aktiverade



- Statusen "Knivarna aktiverade" indikeras, när indikatorlampan tänds (☛ 4.13.g).
- Om du aktiverar knivarna utan att vidta nödvändiga säkerhetsåtgärder, stänger motorn av och kan inte startas igen (☛ 5.2).
- Vid avaktivering av knivarna (läge "A"), aktiveras en broms samtidigt som stoppar knivarnas rotation på några sekunder.
- Att växla knivarna till backväxeln kan endast göras genom att trycka på och hålla inne knappen 4.7.

4.9 FARTHÅLLARE

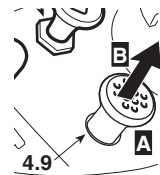


HF2417HM • HF2417HT • HF2625H ♦

- Enheten upprätthåller önskad hastighet på maskinen utan att man behöver hålla pedalen (4.22) nertryckt.
- Den svampformade knappen har två lägen:



1. "A" = Intryckt. Enheten urkopplad (av)
2. "B" = Utdragen. Enheten inkopplad (på)



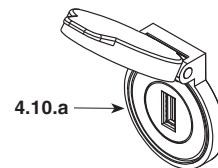
- – Om du sätter på enheten när du kör kommer maskinen att bibehålla den hastighet du har uppnått utan att du måste hålla pedalen (4.22) nertryckt.
- – Enheten kan inte användas när man backar.
- – När enheten är på kan man inte använda backpedalen (fig. 4.23).
- – När man på sträckor som lutar uppåt eller neråt, kan hastigheten skilja sig åt från när man kör på plan mark.
- För att stänga av enheten och återställa pedalens farthållning (4.22), behöver
- du para trycka ner pedalen (4.22)
- eller
- genom att använda bromspedalen (4.21).
- I båda fallen återgår den svampformade knappen automatiskt till sitt intryckta läge.

4.10.a TILLBEHÖRSUTTAG FÖR USB-ENHETER



HF2417HM • HF2417HT • HF2625H ♦

- Detta uttag kan ladda USB-enheter.
- Det ska bara användas för laddning.
- Uttaget har ingen kommunikativ funktion med den anslutna USB-enheten.



- Uttaget är bara på när nyckeln (4.4) är i läge "PÅ".
- Ladda bara USB-enheter när motorn är igång, för att undvika att batteriet laddas ur.
- Ladda inte USB-enheter i våta eller regnig förhållanden.
- Om funktionen används under dessa förhållanden kommer garantin att upphävas och tillverkaren kommer inte att kunna hållas ansvarig för eventuella problem.
- Öppna inte USB-uttaget i regniga eller dammiga områden.
- Använd inte utrustningen när du kör eller klipper.
- Försäkra dig om att du gjort backup på alla nödvändiga data innan du ansluter utrustningen till tillbehörsuttaget. Tillverkaren tar inget ansvar om data raderas när du använder USB-uttaget.

4.10.b HÅLLARE FÖR USB-TILLBEHÖR

▶ **HF2417HM• HF2417HT• HF2625H♦**

Hållare för förvaring av USB-tillbehöret.

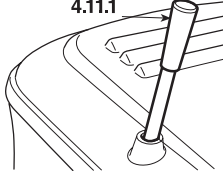


4.11 GRÄSUPPSAMLARENS TIPPKONTROLL

▶ **HF2...HB• HF2...HM•**

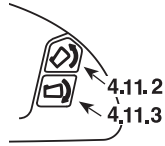
Gräsuppsamlaren kan tömmas genom att man drar i spaken (4.11.1), som man kan dra ut från sitt hölje.

4.11.1



▶ **HF2...HT•**

Tryck på knappen (4.11.2) och håll den nere till dess att bagen når sitt högsta läge, för att tömma gräsuppsamlaren. (☛ 5.4.6).



4.11.2

4.11.3

Gräsuppsamlaren återgår till arbetsläge genom att man trycker in knappen (4.11.3) och håller den inne tills spärrhaken hakas på plats och styrmotorn stannar.

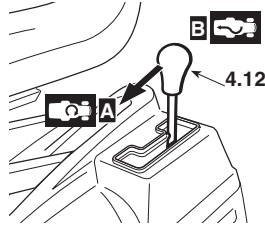
4.12 AKTIVERINGSSPAK FÖR MULCHING

▶ **HF2417HM• HF2417HT• HF2625H♦**

Mulching aktiveras med spaken.

"A" = funktion aktiverad

"B" = funktion avaktiverad

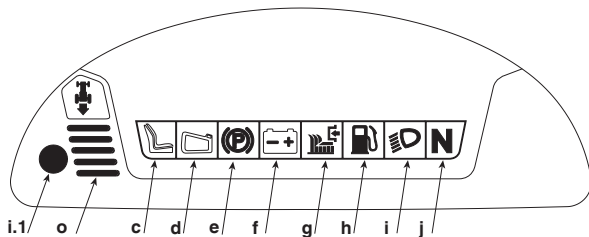


4.12

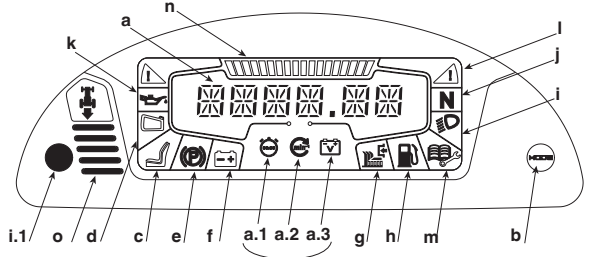
- Flytta bara på växelspaken om knivarna är avaktiverade.
- När funktionen är aktiverad, måste skydden alltid vara monterade (gräsuppsamlaren eller utkastskyddet) (☛ 5.3.5).

4.13 ENHET MED INDIKATORLAMPOR OCH LJUDVARNINGSSIGNALER PÅ INSTRUMENTPANELEN

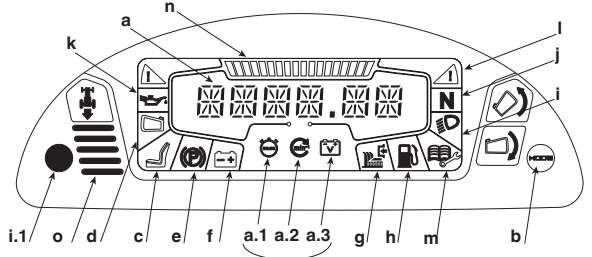
▶ **HF2317...**



▶ **HF2417HB•/HM• HF2625HM•**



▶ **HF2417HT• HF2625HT•**



När man vrider nyckeln (4.4) till läge "PÅ", tänds alla lampor samtidigt i en sekund (och en kort varningssignal ljuder) för att upplysa om att maskinen fungerar som den ska.

Displayen (a) går över i informationsläge och med knappen "MODE" ("LÄGE") (b) kan man sedan välja följande funktioner:

- a.1) **Timräknare:** Alfa-numeriska siffror visar timmar som maskinen körts, i form av hela timmar och tiondels timmar. Måttenheten följs av bokstaven h;

▶ **HF2625...**


- a.2) **Varvräknare (RPM):** visar motorns rotationshastighet i form av ett numeriskt värde.
Visat värde:
< 1 600 min⁻¹ motorns lägsta rotationshastighet
> 2 600 min⁻¹ marschfart, klipphastighet
- a.3) **Voltmeter:** Batterispänningen visas med alfa-numeriska siffror.

Om man trycker kort på knappen "MODE" ("LÄGE") och släpper den tänds ikonerna a.1, a.2 och a.3 i följd. De alfa-numeriska siffrorna på displayen visar data associerad med markerad ikon. Det sista tecknet är reserverat för måttenhet.

Använd inte varvtals- mätarens värde för att ställa in motorhastigheten.

Efteråt när en lampa tänds visar den att:

- c) föraren inte sitter på sin plats.
- d) gräsuppsamlaren saknas.
 - Om den blinkar betyder det att gräsuppsamlaren är full och måste tömmas.
- e) parkeringsbromsen är aktiverad.
- f) Batteriet inte är fulladdat: Ta reda på orsaken med hjälp av kapitel 7 i den här manualen.
 - Om den blinkar betyder det att batteriet har nått tröskelvärdet för överspänning. Stoppa maskinen omedelbart, koppla bort batteriet och kontakta en auktoriserad servicecentral.
- g) knivarna är aktiverade.


h)  bränslenivån är nere på reserven. Det innebär att det finns ungefär 1,5 liter kvar i tanken, vilket är tillräckligt för omkring 30-40 minuters normalt arbete.


i)  strålkastarna är på.

- i.1) Sensorn inuti instrumentpanelen sätts automatiskt på strålkastarna några sekunder efter att det blivit mörkt och de stängs av några sekunder efter att det blivit ljusst. Se till att sensorområdet är rent och placera inga trasor eller andra föremål på instrumentpanelen så att inte strålkastarna tänds i onödan. Ljusnivån på strålkastarna kan sjunka under några sekunder på grund av en tillfällig effektförlust när de tänds.

⚠ VARNING! *Titta inte rakt in i LED-strålkastarna. Det kan påverka synen negativt.*

j)  transmissionen är i neutralläge.

k)  det är något fel på motorsmörjningen. Stoppa motorn omedelbart, kontrollera oljenivån (5.3.3) och kontakta återförsäljaren om problemet kvarstår.

l)  Maskinens lutningsvinkel är större än den rekommenderade maxvinkeln.

OBS! *Den här ikonen är endast informativ och gör att användaren kan hålla reda på maskinens lutningsvinkel. Lampan kan även tändas vid abrupta start och stopp eller vid skarpa svängar. Försök att undvika den här typen av åtgärder.*

OBS! *Montera alla komponenter på rätt sätt genom att följa monteringsinstruktionerna så som de beskrivs i manualen. I annat fall kanske inte tiltindikatorn fungerar som den ska.*

Tajmingen för hur ikonen tänds kan påverkas av operatörens vikt, gräsuppsamlarens vikt och däcktrycket. Man kan ändra på tajmingen för hur den tänds när ett tillbehör är monterat.

För att tändfunktionen för ikonen ska fungera korrekt måste kalibreringen av sensorn utföras av ditt serviceföretag.

OBS! *Om den ofta tänds i fel situationer ska du kontakta återförsäljaren (till exempel om ikonen tänds när maskinen befinner sig på en plan yta eller på en svag lutning).*

m)  Underhåll krävs.

Så snart indikatorlampan tänds visas tidsintervallet i timmar på displayen i form av en kod för när åtgärder krävs:

M20 = Underhåll om 20 timmar

M50 = Underhåll om 50 timmar

M100 = Underhåll om 100 timmar

M300 = Underhåll om 300 timmar

Underhållsarbete som ska utföras för respektive tidsintervall specificeras i ( 6.2).

Underhållskoden fortsätter att visas på displayen till dess att motorn startas eller displayfunktionerna ändras. Underhållslampan förblir tänd, oavsett motorstatus och displayfunktioner.

Om fler än ett tidsintervall uppnås på samma gång kommer motsvarande underhållskoder att alternera på displayen varannan sekund, i stigande ordning.

Återställ åtgärden efter varje underhåll. I annat fall kommer både tidsintervallskoden och ikonen att fortsätta visas på displayen och underhållsintervallen kommer inte att stämma.

Så här återställer du åtgärden:


- Tryck och håll nere knappen "MODE" ("LÄGE") (4.13.b) i mer än 10 sekunder, samtidigt som nyckeln är i läge "PÅ" och motorn avstängd. Underhållskoden och ikonen kommer att visas igen nästa gång som underhållsets tidsintervall har nåtts.

Om underhållsinstruktionerna återställs innan tidsintervallet uppnåtts, kommer underhållsschemat ändå att visas vid det första användbara intervallet. Återställ i så fall åtgärden igen om underhållet redan utförts.

HF2417...

- Om underhållsinstruktionerna inte kan återställas direkt efter att motorn stoppats, ska du vänta till dess att batterispänningen sjunkit under 12,7 V. Försök sedan att bocka av underhållskoden.

HF2625...

- n)  **Motorns varvtals-indikator:** Antal streck som visas på den grafiska skalan ökar i takt med att motorns varvtal ökar. Den grafiska indikatorn och det numeriska värdet på displayen (a.2) ändras samtidigt.

o) Det finns två typer av ljudvarningar:

- **kontinuerligt** talar om att skyddet för elektronikkortet har ingripit. Vrid nyckeln till läge "AV" för att stänga av ljudet.
- **återkommande** Talar om att gräsuppsamlaren är full.

4.21 BROMSPEDALEN

Denna pedal hanterar bromsen på bakhjulen.

4.22 GASPEDALEN

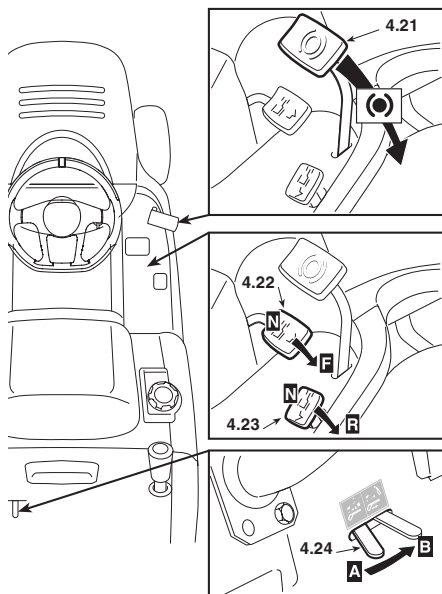
Den här pedalen används för att koppla in drivningen för bakhjulen för att köra framåt och reglera maskinens hastighet.

- Ökat tryck på pedalen ökar maskinens hastighet progressivt.
- Pedalen går automatiskt tillbaka till "N" när den släpps upp.
- Neutralläget "N" visas genom att en kontrollampa lyser (4.13.j).

4.23 BACKPEDAL

Den här pedalen används för att koppla in drivningen för bakhjulen för att köra bakåt och reglera maskinens hastighet.

- Ökat tryck på pedalen ökar maskinens hastighet progressivt.
- Pedalen går automatiskt tillbaka till "N" när den släpps upp.
- Neutralläget "N" visas genom att en kontrollampa lyser (4.13.j).



⚠️ VARNING!

Maskinen måste stå still när backen aktiveras.

⚠️ OBS!

Om någon av drivkopplingens pedaler trycks ner när parkeringsbromsen (4.5) är aktiverad, stannar motorn.

4.24 SPAK FÖR ATT LOSSA DEN HYDROSTATISKA TRANSMISSIONEN

Denna spak har två lägen så som visas på skylten:



"A" = Transmissionen inkopplad: för alla användningsförhållanden, vid förflyttning och under klippning,



"B" = Transmissionen urkopplad: detta gör det mycket enklare att flytta maskinen för hand när motorn är avstängd.

5. BRUKSANVISNINGAR

5.1 SÄKERHETSINSTRUKTIONER

⚠️ FARA!

Maskinen får endast användas i avsett syfte (klippning och gräsuppsamling).

Om maskinen används på annat sätt anses det som olämplig användning, vilket leder till att garantin inte gäller, att tillverkaren inte har några förpliktelser och att följaktligen användaren ansvarar för person- eller egendomsskador till följd av olämplig användning.

Exempel på olämplig användning kan vara, men begränsas inte till:

- transportera människor, barn eller djur på maskinen eller på ett släp
- bogsera eller dra laster utan att använda specificerat redskap för bogsering
- använda maskinen för att åka på instabilt, halt, isigt, stenigt, ojämnt eller vattensjukt underlag och pölar som inte möjliggör bedömning av markens beskaffenhet
- använda maskinen för uppsamling av löv eller skräp
- använda kniven på annat underlag än gräs.

⚠️ FARA!

Mixtra inte med eller ta bort säkerhetsanordningar som sitter monterade på maskinen. KOM IHÅG ATT ANVÄNDAREN ALLTID ANSVARAR FÖR PERSON- OCH EGENDOMSSKADOR.

Innan du använder maskinen:

- läs de allmänna säkerhetsföreskrifterna (☛ 1.1), var särskilt uppmärksam när man kör och klipper i slutningar;
- läs igenom användarinstruktionerna noggrant, lär känna kontrollernas funktion och hur man snabbt kan stoppa kniven och motorn.
- ha aldrig händer eller fötter i närheten av eller under de roterande delarna och håll dig alltid på avstånd från utkastöppningen.

Använd inte maskinen om du inte mår bra eller om du är under påverkan av mediciner eller andra substanser som kan försämra din reaktions- och koncentrationsförmåga.

Det är användarens ansvar att utvärdera potentiella risker i det område där arbete ska utföras, såväl som att vidta alla nödvändiga åtgärder för att garantera sin egen och andras säkerhet, i synnerhet vid körning på slutningar eller ojämnt, halt eller instabilt underlag.

Låt inte maskinen stå stilla i högt gräs när motorn är på, det kan leda till brandfara.

⚠️ VARNING!

Denna maskin får inte användas i slutningar på mer än 10° (17 %) (☛ 5.5).

VIKTIGT

Alla referenser vad gäller kontrollers läge beskrivs i kapitel 4.

5.2 VARFÖR SÄKERHETSANORDNINGAR INGRIPER

Säkerhetsanordningarna fungerar på två sätt:

- de hindrar motorn från att starta om alla säkerhetskrav inte är uppfyllda;
- de stoppar motorn om så bara ett säkerhetskrav inte är uppfyllt.

För att starta motorn är det nödvändigt att:

- transmissionen är i neutralläge;
- alla knivar är på plats på rätt sätt;
- föraren sitter på sin plats.

Motorn stannar när:

- föraren lämnar sin plats;
- gräsuppsamlaren lyfts eller utkastskyddet tas bort utan att knivarna avaktiveras;
- man växlar till backväxeln med knivarna aktiverade. Detta kan uteslutas genom att trycka in och hålla knappen 4.7.
- drivningen framåt eller bakåt aktiveras samtidigt som parkeringsbromsen är aktiverad.

Tabellen nedan visar olika driftförhållanden, **och belyser** varför säkerhetsanordningen stänger av motorn.

FÖRARE	GRÄSUPPSAMLARE	KNIV	TRANSMISSION	BROMS	MOTOR
A) INSTRUMENTPANELEN ÄR PÅ (Tändningsnyckeln i läge "PÅ")					
I sätet	JA	Avaktiverad	"N"	Aktiverad	Stoppat
I sätet	NEJ	Avaktiverad	"N"	Avaktiverad	Stoppat
B) STARTA (Tändningsnyckeln i läge "START")					
I sätet	-/-	Avaktiverad	E/B (**)	Aktiverad	Startar INTE
I sätet	-/-	Aktiverad	"N"	Aktiverad	Startar INTE
Ingen	-/-	Avaktiverad	"N"	Avaktiverad	Startar INTE
C) UNDER KÖRNING (Tändningsnyckeln i läge "PÅ")					
I sätet	JA	Avaktiverad	E/B (**)	Aktiverad	Stannar
Ingen	JA	Avaktiverad	"N"	Avaktiverad	Stannar
D) VID KLIPPNING (Nyckel i läge "PÅ")					
I sätet	NEJ	Aktiverad	-/-	Avaktiverad	Stannar
I sätet	JA	Aktiverad	R	Avaktiverad	Stannar*
Ingen	JA	Avaktiverad	"N"	Avaktiverad	Stannar
Ingen	JA	Aktiverad	-/-	Aktiverad	Stannar

* Detta kan uteslutas genom att trycka på och hålla inne knapp 4.7

** F: Växel för körning framåt aktiverad – R: Växel för körning bakåt aktiverad

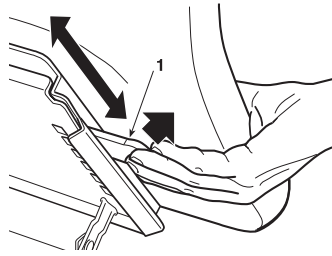
5.3 FÖRBEREDANDE ÅTGÄRDER FÖRE START

Innan man börjar arbetet är det nödvändigt att genomföra flera kontroller och åtgärder för att säkerställa att arbetet kan utföras effektivt och med maximal säkerhet.

5.3.1 Sätjustering

Sätet går att ställa in i sex olika positioner.

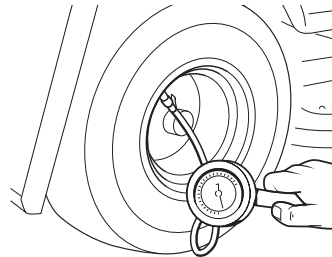
Justeringen görs genom att man lyfter handtaget (1) och skjuter sätet tills det låses i önskad position.



5.3.2 Däcktryck

Skruva loss ventilhatten och anslut en tryckluftssläng med tryckmätare till ventilerna.

Att ha rätt däcktryck är den viktigaste förutsättningen för att säkerställa att klippaggregatet är horisontellt och klipper jämnt. Trycken ska vara:

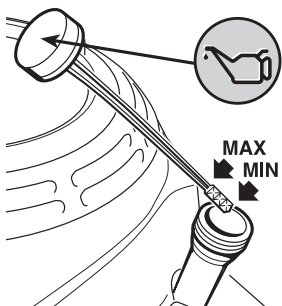


FRAM	1,5 bar (13 x 5,00-6)
	1,0 bar (15 x 6,00-6)
BAK	1,2 bar

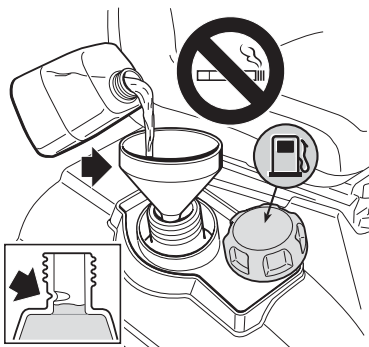
5.3.3 Olje- och bränslepåfyllning

VIKTIGT Använd SAE 10W30-olja och oblyad bensin (grön) Euro 95.

VIKTIGT Om motorn körs med otillräcklig oljenivå kan den skadas allvarligt. Användning av icke-detergent olja eller tvåtaktsolja kan förkorta motorns livslängd.



Var på en plan yta med motorn avstängd. Ta bort locket och oljestickan och torka av den. Tryck in den helt utan att skriva åt och ta sedan ut den och kontrollera oljenivån. Om nivån är nära eller under den nedre nivåmarkeringen (MIN) på oljestickan, ska du fylla på med rekommenderad olja till den övre nivåmarkeringen (MAX). Skruva tillbaka locket med oljestickan igen.



Använd en tratt för att fylla på bränsle.

Undvik att fylla tanken till bredden. Maxnivån indikeras på tankpåfyllningshalsen.

Tankvolymen anges i kapitel 10.

VIKTIGT Skador på drivsystemet eller motorns prestanda som orsakats av oaktamhet vid förvaring omfattas inte av garantin.

OBS! Om man spiller bensin på karossen ska man omedelbart torka bort den.

⚠ FARA! Bränslepåfyllning ska göras i ett öppet eller välventilerat utrymme och motorn ska vara avstängd. Tänk på att bensinångor är lättantändliga. ANVÄND INTE EN ÖPPEN LÅGA VID TANKÖPPNINGEN FÖR ATT SE INNEHÅLLET I TANKEN OCH RÖK INTE HELLER NÄR DU TANKAR.

• Bensin som innehåller alkohol

VIKTIGT Om du använder bensin som innehåller alkohol måste du försäkra dig om att oktantalet som lägast är samma som det som rekommenderas av Honda (oktantal 86). Det finns två typer av bensin/alkoholblandningar: en som innehåller etanol och en som innehåller metanol.

Bränslespecifikation som är nödvändiga för att upprätthålla kontrollsystemets utsläppskapacitet: E10-bränsle som tas upp i EU-förordningen.

Använd aldrig bensin/alkoholblandningar som innehåller mer än 10 % etanol. Använd inte bensin med en metanolnivå (metylalkohol eller träsprit) som är högre än 5 % och utan lösningsmedel eller metanolkorrosionsinhibitorer.

VIKTIGT

- Skador på bränslesystem eller problem med motorprestanda som orsakas av användning av bensin som innehåller en högre nivå av alkohol än den som rekommenderas, täcks inte av garantin.
- Innan du tankar på en för dig okänd bensinstation, måste du ta reda på om bensinen innehåller alkohol och, om så är fallet, vilken typ av alkohol som används samt hur stor procentandel. Om oönskade symptom upptäcks under drift vid användning av en specifik bensin, ska du återgå till en bensin med en alkoholnivå som helt säkert är lägre än den som rekommenderas.

5.3.4 Kontroll av bromssystem

Se till att maskinens bromskapacitet passar för användningsförhållandena. Starta inte maskinen om du är osäker på bromsförmågan. Om så behövs, justera bromsen (☛ 6.3.4) om du ändå är tveksam om dess effektivitet ska du kontakta återförsäljaren.

5.3.5 Montering av skydden (gräsuppsamlaren eller utkastskyddet)

⚠ VARNING! Använd aldrig maskinen utan skyddet monterat vid gräsutkastet!

▶ HF2•••HT•

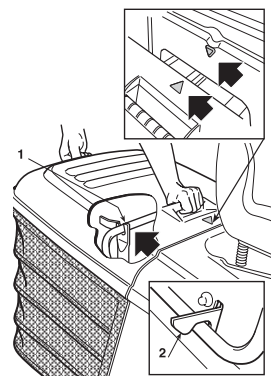
- Skydden måste monteras med tippningsspakarna nedsänkta.

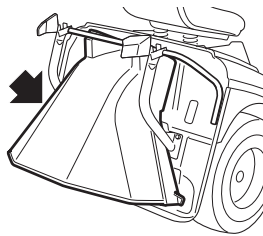
Haka på gräsuppsamlaren genom att föra in röret i den övre ramen i hålen på de två stöden (1).

För att centrera gräsuppsamlaren korrekt, ska du passa in de två symbolerna på gräsuppsamlaren och den bakre plattan.

Se till att det nedre röret av gräsuppsamlarens öppning är fäst vid spärrhaken (2). Om haken är för styv eller för lös, ska du justera returfrjädern (☛ 6.3.6).

Om du väljer att arbeta utan gräsuppsamlaren finns det utkastskydd-kit tillgängligt på begäran (☛ 8.2). Detta ska fästas på den bakre plattan så som anges i instruktionerna.





5.3.6 Kontrollera maskinens säkerhet och effektivitet

1. Kontrollera säkerhetsenheternas funktioner enligt beskrivning (☛ 5.2).
2. Kontrollera att bromsen fungerar perfekt.
3. Börja inte klippa om knivarna vibrerar eller om du är osäker på om de är tillräckligt vassa. Kom alltid ihåg att:
 - dåligt slipade knivar drar i gräset, vilket leder till att gräsmattan blir gul.
 - löst sittande knivar orsakar onormala vibrationer och kan vara farligt.

⚠ VARNING! Använd inte maskinen om du är osäker på om den fungerar säkert och effektivt. Om du är osäker, kontakta din återförsäljare omedelbart för att göra nödvändiga kontroller eller reparationer.

5.4 ANVÄNDNING AV MASKINEN

5.4.1 Start

⚠ FARA! Alla startprocedurer ska utföras i ett öppet och välventilerat utrymme. TÄNK PÅ ATT AVGASER ÄR GIFTIGA!

När du startar motorn ska du:

- lägga transmissionen i neutralläge ("N") (☛ 4.22)
- avaktivera knivarna (☛ 4.8)
- aktivera parkeringsbromsen, på ett sluttande underlag
- vid kallstart använda choken (☛ 4.2)
- om motorn redan är varm, placera spaken mellan "LÅNGSAMT" och "SNABBT"
- sätta i nyckeln och vrida den till "PÅ" för att få elektrisk kontakt och därefter till "START" för att starta motorn
- släppa tändningsnyckeln när motorn har startat.

När motorn har startat, placerar du gasreglaget i läget "LÅNGSAMT".

VIKTIGT Choken ska stängas av när motorn går smidigt. Om man använder choken när motorn redan är varm kan tändstiften förorenas och leda till att motorn går ojämnt.

OBS! Om motorn har startproblem, insistera inte eftersom du riskerar att batteriet tar slut och att flöda motorn. Vrid nyckeln till läget "AV", vänta några sekunder upprepa åtgärden. Om felet kvarstår, se motorns bruksanvisning och kapitel "7" i den här bruksanvisningen.

VIKTIGT Kom alltid ihåg att säkerhetsanordningarna förhindrar motorn från att starta om säkerhetskraven inte är uppfyllda (☛ 5.2). I dessa fall, när situationen åtgärdats, ska nyckeln först vridas tillbaka till "AV" innan motorn kan startas igen.

5.4.2 Köra framåt utan att klippa

⚠ VARNING! Maskinen är inte godkänd för att köras på allmänna vägar. Den måste användas (enligt vägtrafikförordningen) i privata områden där det inte finns någon trafik.

När maskinen förflyttas:

- ska knivarna avaktivera
- ska man placera klippaggregatet i den högsta positionen (position 7).

Sätt gasreglaget mellan lägena "LÅNGSAMT" och "SNABBT". Avaktivera parkeringsbromsen och släpp upp bromspedalen (☛ 4.21). Tryck ner drivkopplingspedalen (☛ 4.22) för att köra framåt och anpassa till önskad hastighet genom att gradvis öka trycket på pedalen och gasreglaget.

⚠ VARNING! Drivkopplingen måste var inkopplad så som beskrivs (☛ 4.22) för att förhindra plötslig aktivering som orsakar tippning och att man förlorar kontrollen över fordonet, speciellt i slutningarna.

5.4.3 Bromsa

Minska först maskinens hastighet genom att minska motorns varvtal och tryck sedan på bromspedalen (☛ 4.21) för att sakta ner maskinen till dess att den stannar.

OBS! Maskinen saktar redan ner påtagligt bara genom att man släpper kopplingspedalen när man kör framåt eller backar.

5.4.4 Bakåt

Bakåt FÅR bara kopplas in när maskinen står helt stilla.

När maskinen stannat påbörjar du backningen genom att trycka kopplingspedalen i riktningen "R" (☛ 4.23).

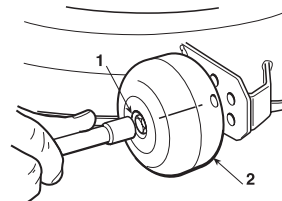
5.4.5 Gräsklippning

För att nå det område som ska klippas, kontrollera att gräsuppsamlaren eller utkastskyddet är korrekt monterat på plats.

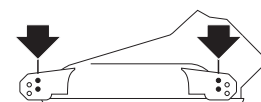
▶ HF24♦♦♦♦ **HF26♦♦♦♦**

Funktionen hos anti-flis-hjulen är till för att upprätthålla ett utrymme mellan marken och kanten på klippaggregatet, för att hindra det senare från att skada gräset på ojämna ytor. Vart och ett av anti-flis-hjulen på klippaggregatet kan placeras på två olika höjder. På den lägsta positionen är de till för att bibehålla utrymmet, dess effektivitet gäller in för den högsta positionen.

Om du vill ändra position skruvar du loss och drar stiftet (1) och positionerar om hjulet (2) i det högre eller lägre hålet på raden som visas i illustrationen.



⚠ VARNING! Detta bör alltid utföras på alla fyra hjulen, MED MOTORN AV OCH KNIVARNA AVAKTIVERADE.



För att starta klippningen:

- flytta gasreglaget till läge "SNABBT"
- placera klippaggregatet i den högsta positionen
- aktivera knivarna (☛ 4.8)
- börja köra mycket långsamt framåt på gräsmattan, med stor försiktighet, så som beskrivits tidigare
- justera hastigheten framåt och klipphöjden (☛ 4.6) enligt gräsmattans tillstånd (höjd, täthet och fuktighet i gräset). På en plan yta kan man följa dessa allmänna riktlinjer:

Högt och tätt gräs – våt gräsmatta	2,5 km/tim
Genomsnittligt gräsförhållande	4 ... 6 km/tim
Lågt gräs – torr gräsmatta	över 6 km/tim

Hastigheten justeras genom att man trycker ner drivkopplingens pedal gradvis.

⚠ VARNING! Om man klipper på en sluttande yta, måste hastigheten framåt minskas för att upprätthålla säkerheten (☛ 1.2 - 5.5).

Oavsett förhållanden ska man alltid minska hastigheten om man märker att motorns varvtal sjunker – om du kör för snabbt i förhållande till mängden gräs som blir klippt, kommer du inte att kunna klippa gräsmattan ordentligt.

Koppla från knivarna och höj klippaggregatet så högt som möjligt när du måste passera ett hinder.

5.4.6 Tömning av gräsupsamlaren

Låt inte gräsupsamlaren bli för full, eftersom uppsamlingskanalen då kan blockera utkastet.

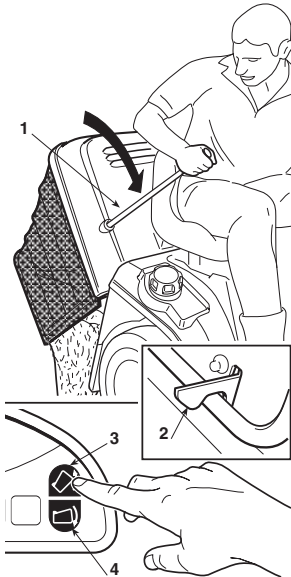
Om en återkommande signal ljuder och lampan (4.13.d) blinkar så innebär det att gräsupsamlaren är full. Då ska du:

- sänka motorvarvtalet;
- växla till neutralläge ("N") (☛ 4.22 eller 4.23) och stoppa rörelsen framåt;
- aktivera parkeringsbromsen i slutning;
- avaktivera knivarna (☛ 4.8) så upphör varningsljudet;

▶ **HF2...HB** **HF2...HM**

OBS! Man kan bara tömma gräsupsamlaren när knivarna är avaktiverade, annars stannar motorn.

- Dra ut spaken (1) (☛ 4.11.1) och tippa gräsupsamlaren för att tömma den;
- stänga gräsupsamlaren så att spärrhaken hakar på plats (2) och sätta tillbaka spaken (1) på plats.



▶ **HF2...HT**

OBS! Gräsupsamlarens tippkontroll fungerar endast när knivarna är avaktiverade.

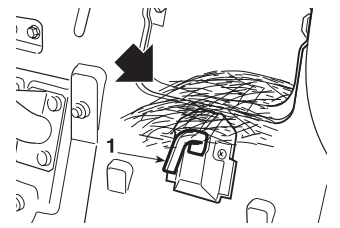
- när föraren sitter på sin plats, håll knappen (3) (☛ 4.11.2) intryckt tills gräsupsamlaren har tippat helt
- när den är tömd, håll knappen (4) (☛ 4.11.3) intryckt tills gräsupsamlaren är helt sänkt, samtidigt som du kontrollerar att spärrhaken (2) sitter fast som den ska.

OBS! Ibland kan ljudvarningen höras när kniven aktiveras, även när gräsupsamlaren har tömts. Det är på grund av att gräsrester blivit kvar på sensorn (1) på mikrobrytaren. För att stoppa signalen ska du avaktivera knivarna och därefter aktivera dem direkt igen. Om varningssignalen kvarstår, stäng av motorn, ta bort gräsupsamlaren och ta bort allt kvarvarande gräs från sensorn (1).

5.4.7 Rensa utkastet

Om mycket högt eller vått gräs klipps, speciellt vid hög hastighet, kan utkastet täppas igen. Om det händer, gör följande:

- Stoppa den framåtgående rörelsen omedelbart, avaktivera kniven och stoppa motorn.
- Ta bort gräsupsamlaren eller utkastskyddet.
- Avlägsna gräset. Du kan nå det från utkastöppningen.



⚠ VARNING! Denna åtgärd får bara utföras när motorn är avstängd.

5.4.8 Mulching

Mulching innebär att gräset återanvänds genom att det finfördelas inuti klippaggregatet och därefter släpps ut på gräsmattan igen.

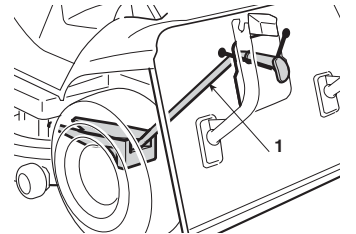
Om det klippta gräset är utspritt runt klippaggregatet eller lämnas i högar under mulching, kan gräset vara för långt eller klippt för kort. Kliphöjden för mulching måste ställas in till ca 1/3 av gräshöjden (max 10–13 cm innan mulching).

▶ **HF2317...** **HF2417HB**

Tillbehöret (tillgänglig på begäran) ska monteras så som visas i de tillhörande instruktionerna.

▶ **HF2417HM** **HF2417HT** **HF2625H**

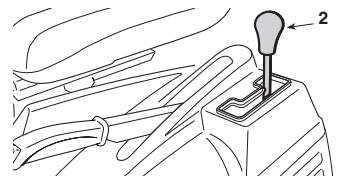
Maskinen är utrustad med en mekanism som för att växla mellan gräsupsamling och mulching-funktion. Sätt dig in i hur dessa två alternativ fungerar innan du använder dig av dem.



Mulching-läget aktiveras eller avaktiveras via ett mulching-reglage (2) (☛ 4.12).

Använd mulching-reglaget när gräsupsamlaren är borttagen från maskinen för att försäkra dig om att den ska kunna röra sig fritt och inte hindras av gräs som kan påverka dess funktion. Använd en pinne eller liknande verktyg för att ta bort eventuellt gräs framför luckan.

VIKTIGT Om man använder för mycket kraft på reglaget och vajern inte är korrekt justerad eller med gräsavlagringar, kan det leda till att vajern går av eller att stödet blir deformerat på grund av överbelastning. Om reglaget är överbelastat ska du inte använda våld utan kontakta återförsäljaren.



Efter klippning

När sessionen är över rekommenderas att man rengör klippaggregatet, utkastet och gräsupsamlaren, för att undvika eventuella besvär och se till att allt fungerar utan problem nästa gång maskinen används.

Stoppa motorn, ta ut nyckeln, aktivera parkeringsbromsen och ta bort gräsupsamlaren.

Inspektera utkastet för att kontrollera att det inte är igensatt med gräs (ta bort allt gräs som täpper till utkastet):

5.4.9 Avsluta klippningen

När du är klar med klippningen, lossa knivarna, minska motorns varvtal och kör maskinen med klippaggregatet i det högsta läget.

5.4.10 Efter arbetet

Stoppa maskinen och sätt gasreglaget i läget "LÅNGSAMT" och stäng av motorn genom att sätta nyckeln i läget "AV".

Denna åtgärd gör att bränslekranen stängs automatiskt.

⚠ VARNING! *Ta alltid ut tändningsnyckeln innan du lämnar maskinen utan uppsikt!*

5.4.11 Rengöring och förvaring

Ställ undan maskinen på en torr och skyddad plats och täck gärna över den. Efter varje klipptillfälle ska maskinen rengöras på utsidan, gräsupsamlaren tömmas och gräs- och jordrester ska tas bort.

Ta bort allt gräs som samlats i motorrummet och ovanför klippaggregatet, så att optimal effektivitet bibehålls för maskinen.

⚠ VARNING! *Töm alltid gräsupsamlaren och lämna inte behållare fulla med gräs inne i förvaringsutrymmen.*

Rengör plastdelar på enheten med en svamp som fuktats med vatten och rengöringsmedel. Var försiktig så att det inte kommer vatten i motorn, elektriska delar eller på elektronikkortet under instrumentpanelen.

VIKTIGT *Använd aldrig slangmunstycken eller starka rengöringsmedel för att rengöra karossen eller motorn!*

När du tvättar insidan av klippaggregatet och utkastet ska maskinen stå på ett plant underlag med:

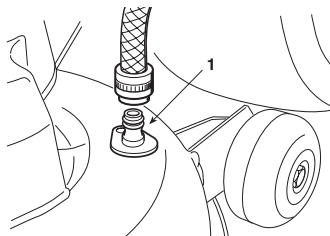
- gräsupsamlaren och utkastet på plats
- föraren på plats
- motorn igång
- transmissionen i neutralläge
- parkeringsbromsen aktiverad
- knivarna aktiverade.

Anslut en vattenslang till var och en av röranslutningarna (1) en i taget och kör vatten genom var och en under några minuter, medan knivarna rör sig.

Vid tvätt bör klippaggregatet sänkas ner till dess lägsta läge. Ta nu bort gräsupsamlaren, töm och skölj den, och placera den sedan där den kan torka snabbt.

VIKTIGT *För att inte äventyra den elektromagnetiska kopplingens effektivitet ska man inte:*

- låta kopplingen komma i kontakt med olja
- spruta vatten med högt tryck direkt på kopplingsenheten
- inte rengöra kopplingen med bensin.



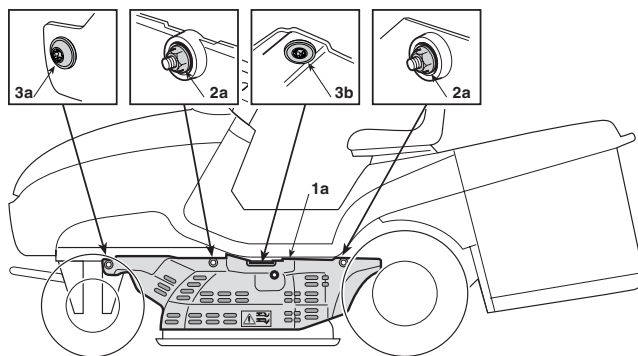
5.4.12 Bortmontering av remskyddet och rengöring av klippaggregatet

⚠ VARNING! *Låt inte skräp och torkat gräs ackumulera i den övre delen av klippaggregatet för att upprätthålla högsta effektivitet och säkerhetsnivåer för maskinen. Denna operation bör utföras 2-3 gånger per år och innan du ställer undan maskinen under en tidsperiod (till exempel, i slutet av säsongen).*

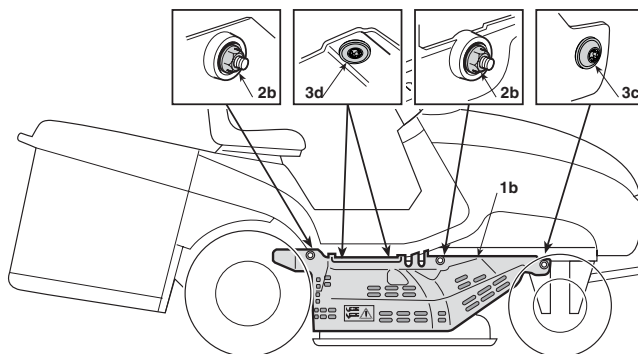
⚠ VARNING! *Maskinen är utrustad med två transmissionskedjeskydd (en till höger och en till vänster) för att förhindra oavsiktlig kontakt under användning.*

▶ HF2317◆◆

- Det vänstra skyddet (1a) sitter fast med:
 - - två muttrar (2a), lossa med en 10 mm nyckel
 - - en framskruv (3a) och en mittskruv (3b). Lossa med en T30 torxnyckel.
- Det högra skyddet (1b) sitter fast med:
 - - två muttrar (2b), lossa med en 10 mm nyckel
 - - en framskruv (3c) och en mittskruv (3d). Lossa med en T30 torxnyckel.



OBS! *När du tar bort det vänstra skyddet (1a), se till att du inte kopplar bort slangen från kopplingen som används för att rengöra insidan av klippaggregatet.*

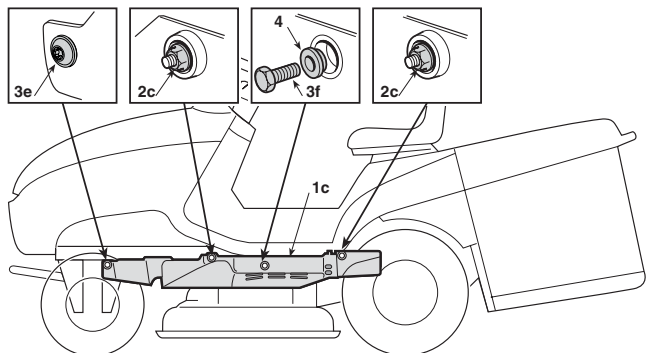


• När vänster och höger skydd monteras tillbaka, byt alla muttrarna (2a) och (2b) och sedan alla skruvarna,

▶ HF24◆◆◆ **HF26◆◆◆**

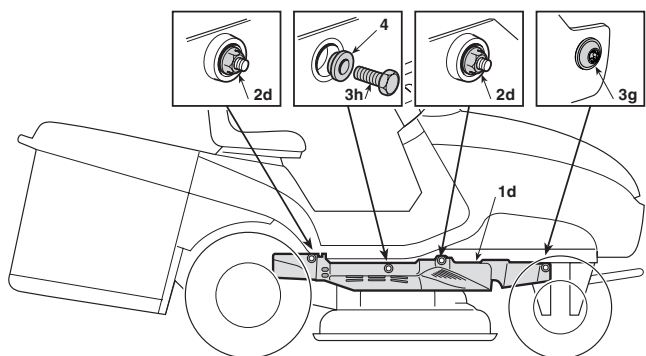
- Det vänstra skyddet (1c) sitter fast med:
 - - två muttrar (2c), lossa med en 10 mm nyckel;
 - - en framskruv (3e). Lossa med en T30 torxnyckel
 - - en mittskruv (3f) med ett mellanlägg (4), lossa med en 10 mm nyckel.

- Det högra skyddet (1d) sitter fast med:
 - två muttrar (2d), lossa med en 10 mm nyckel
 - en framskruv (3g). Lossa med en T30 torxnyckel
 - en mittskruv (3h) med ett mellanlägg (4), lossa med en 10 mm nyckel



- När vänster och höger skydd monteras tillbaka, se till att mellanlägg (4) är korrekt monterade under skruvarna (3f) och (3h).

- För att demontera varje skydd och rengöra klippaggregatet:
 - sänk klippaggregatet till läge 1 (läget längst ner)



- använd lämpliga nycklar för att lossa muttrarna och alla skruvarna, på vänster och höger sida, och ta bort vänster och höger skydd
- använd tryckluft för att ta bort eventuellt skräp och smuts från den övre delen av klippaggregatet.

⚠ VARNING! Maskinen får inte användas om inte båda skydden är korrekt installerade. Byt alltid ut skadade skydd.

5.4.13 Förvaring under långa perioder då maskinen inte används

Om maskinen inte ska användas under en lång tid (längre än en månad), ska du koppla bort jordkabeln (svart) från batteriet. Dessutom ska du smörja alla leder så som visas (☛ 6.2.1).

⚠ VARNING! Ta försiktigt bort torra gräsrester som kan ha samlats runt motorn eller ljuddämparen för att förhindra att dessa tar eld nästa gång maskinen används.

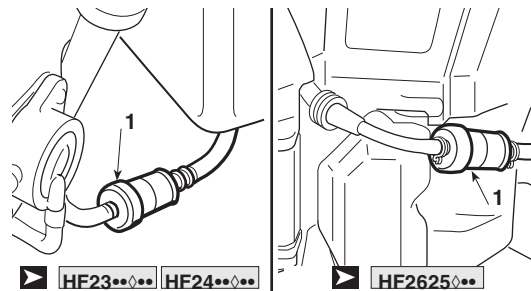
Töm bränsletanken genom att koppla bort slangen vid bränslefiltrets ingång. (1).

Anslut bränsleslangen igen.

Lossa förgasarens avtappningsskruv (2) och tappa av bränslet i ett lämpligt kärl. Dra åt avtappningsskruven.

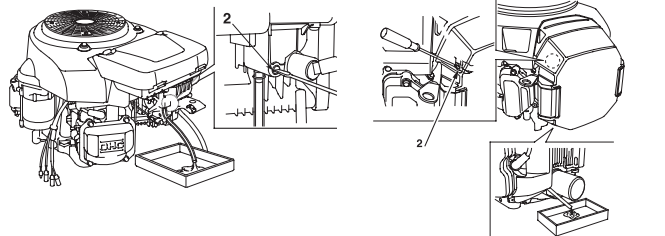
Ta bort de två tändstiften och håll ungefär en matsked ren motorolja i cylindrarna. Kör runt motorn i 1 till 2 sekunder med hjälp av startmotorn genom att vrida på tändningsnyckeln. Detta kommer att fördela oljan jämnt i cylindrarna.

Sätt tillbaka tändstiften (☛ 6.4.5).



▶ HF23♦♦♦♦ HF24♦♦♦♦

▶ HF2625♦♦♦♦



▶ HF23♦♦♦♦ HF24♦♦♦♦

▶ HF2625♦♦♦♦

⚠ FARA! Bensin är mycket brandfarligt. Förvara bränsle i särskilda behållare. Sätt alltid på locken på tank och behållare och skruva åt ordentligt.

VIKTIGT Batteriet måste förvaras på en kall och torr plats. Inför en lång förvaringsperiod (längre än en månad), ska batteriet alltid laddas med den laddare som följde med maskinen och därefter ska det laddas innan det ska användas på nytt (☛ 6.2.3).

När maskinen ska användas igen, ska du kontrollera att det inte läcker bränsle från slangarna eller förgasaren.

5.4.14 Instrumentpanelens skyddsanordning

Elektronikkortet har ett självåterställande skydd som bryter kretsen om det finns något fel i elsystemet. Detta kommer att stänga av motorn och åtföljs av att en varningssignal ljuder som bara kan stängas av genom att man tar ur tändningsnyckeln.

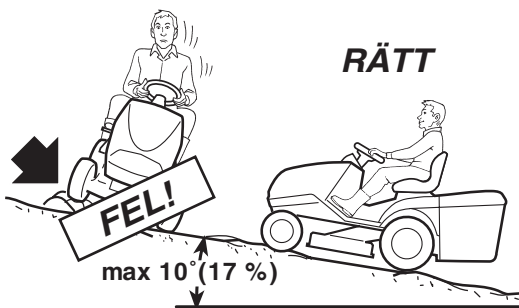
Kretsen återställs automatiskt efter några sekunder, men orsaken till felet ska kontrolleras och åtgärdas för att undvika att skyddsanordningen utlöses igen.

VIKTIGT För att undvika att skyddsanordningen aktiveras, ska du:

- inte ansluta kablarna till fel batteripoler
- inte använda maskinen utan batteri, vilket kan leda till att laddningsregulatorn skadas
- vara försiktig så att inte kortslutningar uppstår.

5.5 ANVÄNDNING PÅ SLUTNINGAR

Klipp bara på slutningar vars lutning inte överstiger det redan nämnda maxvärdet **max 10° – 17°**. Gräsmattor på en slutning måste klippas uppåt och nedåt och aldrig tvärs över dem. När du byter riktning ska du vara noga med att hjulen som är vända mot slutningen inte stöter på några hinder (t.ex. stenar, grenar, rötter, etc.), som kan få maskinen att glida i sidled, välta eller få dig att tappa kontrollen. Ikonen (4.13.1) visar att lutningsvinkel för maskinen närmar sig den rekommenderade slutningsgränsen.



⚠ FARA! **MINSKA HASTIGHETEN INNAN DU ÄNDRAR RIKTNING I SLUTTNINGAR** och aktivera alltid parkeringsbromsen innan du lämnar maskinen stillastående och utan uppsikt.

⚠ VARNING! Var försiktig när du börjar köra framåt och uppför i en sluttning så att maskinen inte stegrar sig. Minska hastigheten framåt innan du kör i en sluttning, i synnerhet när du ska köra nedför den.

⚠ FARA! Växla aldrig till backväxeln eller minska hastigheten när du kör nerför sluttningar: detta kan göra så att du tappar kontrollen över maskinen, i synnerhet på halt underlag.

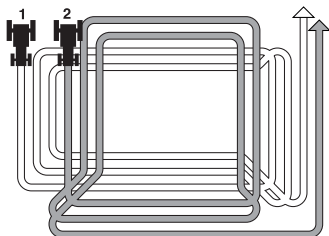
Kör ner för sluttningar utan att ha foten på drivkopplingspedalen (☛ 4.22) för att använda hydrostatiska transmissionens bromseffekt när transmissionen inte är inkopplad.

5.6 TRANSPORTPOSITION

⚠ VARNING! Om maskinen måste transporteras på en lastbil eller släpvagn, använd ramper med lämpligt motstånd, bredd och längd. Maskinen ska vara avstängd och utan förare när den lastas för transport. Det krävs flera personer för att lyfta upp den. Under transport, sänk klippaggregatet, lägg i parkeringsbromsen och fäst maskinen ordentligt vid dragenheten med linor eller kedjor.

5.7 RÅD OM HURMAN FÅR BRA KLIPPRESULTAT

1. Om man vill ha en grön, mjuk och snygg gräsmatta, ska den klippas regelbundet utan att man skadar gräset.
2. Det är alltid bättre att klippa gräset när det är torrt.
3. Knivarna ska vara i gott skick och välslipade så att gräset klippas av direkt och inte slits av. Då blir grästopparna gula.
4. Motorn ska köras på fullt varvtal, både för att ge effektiv klippning och för att åstadkomma det tryck som krävs för att klippresterna ska gå igenom uppsamlingskanalen.
5. Hur ofta man ska klippa gräset, beror på hur snabbt det växer. Gräset ska inte växa för mycket mellan klippningarna.
6. Under varma och torra perioder ska man klippa gräset lite högre så att inte marken under torkar ut.
7. Om gräset är väldigt högt ska det klippas i två omgångar under ett dygn. Den första gången med kniven på max. klipp höjd, och eventuellt med minskad klippbredd, och den andra gången med önskad höjd.
8. Gräsmattan blir ännu snyggare om du byter riktning varje gång du klipper.



9. Om utkastet täpps igen, ska du minska hastigheten framåt eftersom den kan vara för hög för gräsets beskaffenhet. Om problemet kvarstår, beror det antingen på slöa knivar eller deformerade vingar.
10. Var mycket försiktig vid klippning nära buskar eller trottoarkanter, eftersom de kan göra att det horisontella läget för klippaggregatet, blir snedvridet och skada dess kant samt kniven.

5.8 SUMMERING AV DE VIKTIGASTE STEGEN MAN SKA FÖLJA NÄR MAN ANVÄNDER MASKINEN

För att ...	Måste du ...
Starta motorn (☛ 5.4.1)	Se till att alla villkor som krävs för att starta är uppfyllda och vrid om nyckeln.
Köra framåt (☛ 5.4.2)	Aktivera gasreglaget Tryck ner drivkopplingspedalen för att köra framåt (☛ 4.22).
Bromsa eller stanna (☛ 5.4.3)	Minska motorvarvtalet och trycka på bromspedalen.
Backa (☛ 5.4.4)	Stoppa maskinen Tryck ner drivkopplingspedalen för att köra bakåt (☛ 4.23).
Klippa gräset (☛ 5.4.5)	Sätt på gräsupsamlaren eller det bakre utkastskyddet Justera höjden för anti-flis-hjulen (gäller inte: HF2317**) Justera gasreglaget Koppla in knivarna Justera klipphöjden Tryck ner drivkopplingspedalen för att köra framåt (☛ 4.22).
Tömma gräsupsamlaren (☛ 5.4.6)	Sluta kör framåt, avaktivera knivarna och använd tippspaken för att tippa upp gräsupsamlaren.
Rensa utkastet (☛ 5.4.7)	Använd klipphöjdsreglaget flera gånger för att skaka och frigöra utkastet. Sluta kör framåt, avaktivera knivarna och stäng av motorn. Ta bort gräsupsamlaren och rensa utkastet.
Aktivera Mulching (☛ 5.4.8)	► HF2317** HF2417HB Tillbehöret (tillgänglig på begäran) ska monteras så som visas i de tillhörande instruktionerna. ► HF2417HM HF2417HT HF2625** Mulching-läget aktiveras eller avaktiveras via ett tillhörande reglage (☛ 4.12).
Sluta klippa (☛ 5.4.9)	Avaktivera knivarna och minska motorns varvtal.
Stänga av motorn (☛ 5.4.10)	Minska motorns varvtal, vänta några sekunder och vrid nyckeln.
Förvaring av maskinen (☛ 5.4.11)	Aktivera parkeringsbromsen, ta ut nyckeln, tvätta maskinen, klippaggregatets insida, utkastet och gräsupsamlaren om det behövs.

VIKTIGT Kassera aldrig använd olja, bränsle eller andra förorenande ämnen på ett otillåtet sätt!

Sammanfattning av viktiga situationer där åtgärder kan krävas

Utifall att ...	Måste du ...
Knivarna vibrerar.	Kontrollera fästena (☛ 6.3.1) eller balansera om knivarna (☛ 6.3.1)
Knivarna drar ut gräset och gör att gräsmattan blir gul	Slipa knivarna (☛ 6.3.1)
Klippningen blir ojämn	Rikta in klippaggregatet (☛ 6.3.2)
Knivarna aktiveras ojämnt.	Reglera knivarnas aktiveringsjusterare (☛ 6.3.3).
Maskinen bromsar inte	Justera spännfjädern (☛ 6.3.4)
Framåtrörelsen är ojämn	Justera spännfjädern (☛ 6.3.5)
Gräsupsamlaren rör på sig och tenderar att öppna sig	Justera spännfjädern (☛ 6.3.6)

6. UNDERHÅLL

6.1 SÄKERHETSINSTRUKTIONER

⚠ VARNING! *Före rengöring, underhåll eller reparationsarbete, ska du ta ut tändningsnyckeln och läsa relevanta instruktioner. Använd lämpliga skyddskläder och skyddshandskar när du demonterar och sätter tillbaka knivarna och i alla andra situationer där du riskerar att skada händerna. Se till att motorn är kall innan något underhållsarbete påbörjas.*

⚠ VARNING! *Använd inte maskinen om komponenter är skadade eller slitna. Defekta eller utslitna delar måste alltid bytas ut, inte repareras. Använd bara originalreservdelar: delar som inte är av motsvarande kvalitet kan skada maskinen eller utsätta dig själv eller andra för risker.*

6.2 REGELBUNDET UNDERHÅLL

6.2.1 INFORMATION OM REGELBUNDET UNDERHÅLL

Denna tabell hjälper dig att bibehålla maskinens säkerhet och prestanda. Den visar huvudsakliga underhålls- och smörjningsåtgärder och deras intervall.



- Återställ alltid ikonen och servicekoden för tidsintervallet (4.13.m) efter varje utfört underhåll.

ANVÄNDNING		ÅTGÄRD	INTERVALL			
			VARJE ANVÄNDNING	3 MÅNADER eller 20 TIMMAR	6 MÅNADER eller 50 TIMMAR	1 ÅR eller 100 TIMMAR
Genomför underhåll vid respektive intervall enligt driftstimmar eller månader, beroende på vilket som inträffar först						
Motorolja		Kontrollera	●			
		Ändra		● (1)	●	
Lufffilter		Kontrollera	●			
		Kontrollera			◆	
		Byte				● (3) ● (4)
Kylluftskanalens nät		Kontrollera	●			
Ljuddämpare		Kontrollera	●			
Kylfläktens nät		Kontrollera	●			
Batteri	Ladda					● (*)
	Kontrollera batterisyrans nivå		●			
	Kontrollera elektrolytnivå och syradensitet			●		
Däck och däcktryck		Kontrollera	●			
Klippaggregatsrem		Kontrollera	●			
Transmissionsrem		Kontrollera		●		
Broms	Bromsens skick	Kontrollera	●			
	Åtdragningen av broms- och kopplingsstag	Kontrollera		● (1)	● (2)	
	Bromspedalsslag	Kontroll och justering			●	
	Parkeringsbroms	Kontrollera			●	
Knivbultarnas tillstånd		Kontroll	●			
Kontrollera knivbultarna		Kontrollera			●	
Knivarnas tillstånd		Kontrollera	●			
Fram- och bakaxelns smörjning		Smörjning			●	
Tändstift	Rengöra och kontrollera					●
	Byte					●
Gasvajer		Kontroll och justering			●	
Tank, slang och filter		Kontroll och justering				●
Ventilspel		Kontrollera, byt vid behov				●
Motorns flänsar och baffelplåtar		Kontroll och justering				●
Drivkopplingspedalens bussning		Rengöring			●	
Mulching-system	Rengöra och kontrollera	●				
	Justera (om nödvändigt)					●

(*) Om maskinen inte använts på mer än 1 månad.

◆ Rengör lufffiltret oftare om maskinen används på områden där det dammar mycket.

(1) Använd bara detta intervall för det första underhållet.

(2) Detta intervall gäller för det andra och efterföljande underhållet.

(3) GCV530

(4) GXV690H

6.2.2 Bakaxel

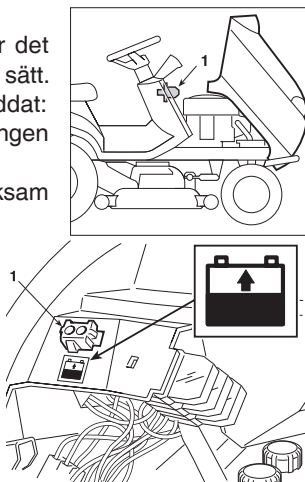
Detta är en förseglad enskild enhet som inte behöver något underhåll. Den är permanent smord och detta smörjmedel behöver inte bytas eller fyllas på.

6.2.3 Batteri

För att batteriet ska få lång livstid är det viktigt att man underhåller det på rätt sätt. Maskinens batteri måste alltid vara laddat:

- före maskinen används för första gången efter den inköpts (☛ 3.1)
- innan man lämnar maskinen överksam under en lång period
- innan maskinen startas igen efter en längre period som den inte använts

Maskinen har en kontakt (1) för uppladdning som ska anslutas till motsvarande kontakt på den speciella underhållsbatteriladdaren.



VIKTIGT Ingen annan enhet än batteriladdaren får anslutas till denna kontakt.

Vid inaktivitet kan laddningsnivån hållas konstant med hjälp av den medföljande underhållsbatteriladdaren.

VIKTIGT Laddningen ska underhållas med batteriladdaren och man ska följa anvisningarna i de relevanta bruksanvisningarna. Andra laddningssystem kan skada batteriet oåterkalleligen.

Ett urladdat batteri ska laddas så snart som möjligt, i annat fall kan batterielementen skadas permanent.

Elektrolytnivån ska kontrolleras regelbundet. Använd ENDAST destillerat batterivatten vid påfyllning.

6.3 KONTROLLER OCH JUSTERINGAR

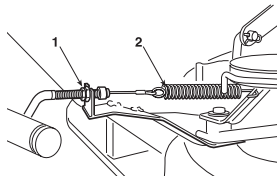
6.3.1 Borttagning, utbyte och ombalansering av knivar

Dåligt slipade knivar drar ut gräset, och minskar lastkapaciteten vilket leder till att gräsmattan blir gul.

VIKTIGT För att komma åt knivarna, ta bort klippaggregatet med hjälp av ett snabbkopplingssystem som gör borttagningen från maskinen enkel.

a) Borttagning av klippaggregatet

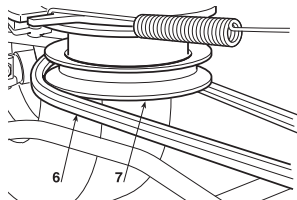
Ta bort sidoskyddet innan klippaggregatet tas bort (☛ 5.4.12).



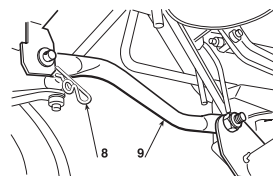
HF2317◆◆

- Efter att klipphöjden flyttats till läge 1, drar ut knivjusteringens vajer (1) och lossar fjädern (2).

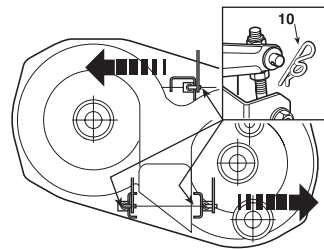
- Ta bort knivremmen (6) från kopplingsskivan (7).
- Dra ut de två saxsprintarna (8) som håller fast de två anslutande stagen (9) vid ramen.
- Lossa de tre saxsprintarna (10) som håller fast lyftspakens stift.



- Var försiktig så att du inte rör vid muttrarna eller låsmuttrarna för att den förblir parallell även vid återmonteringen.



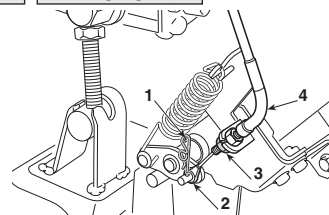
- När du kontrollerat att det inte finns något i vägen kan klippaggregatet tas bort. Ta ut det genom att vrida det moturs så att alla sprintar kommer ut ur sina positioner.



- För att montera, utför de åtgärder som beskrivs ovan i omvänd ordning och se till att den främre änden av utkastet är rätt placerat, i förhållande till klippaggregatet.

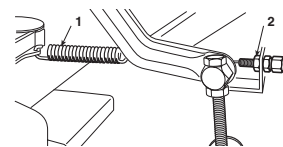
HF2417HM• HF2417HT• HF2625H◆

- Ta bort drivkabeln för mulching.
- Ta bort saxsprinten (1) och dra ut ögla (2). Lossa muttern (3) och ta bort vajern (4).

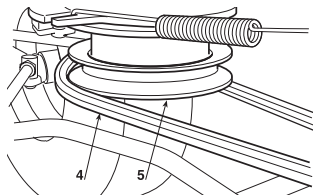


HF24◆◆ HF26◆◆

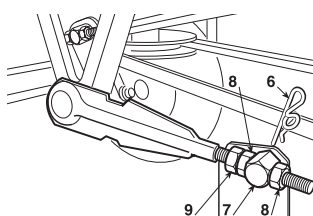
- Ställ in höjdjusteringsreglaget på läge 1.



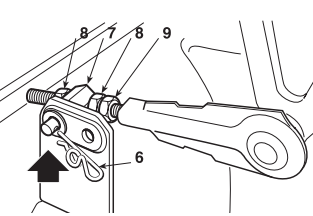
- Frigör knivarnas inkopplingsfjädrer (1).



- Lossa aktiveringsjusteraren (2) och ta bort den från höljet.

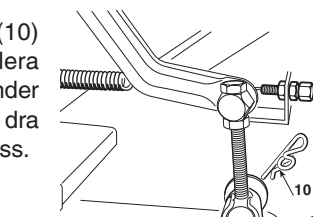


- Ta bort knivremmen (4) från kopplingsskivan (5).



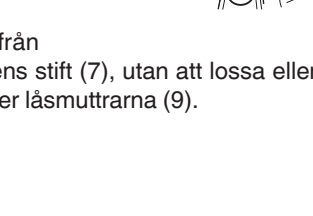
HF24◆◆

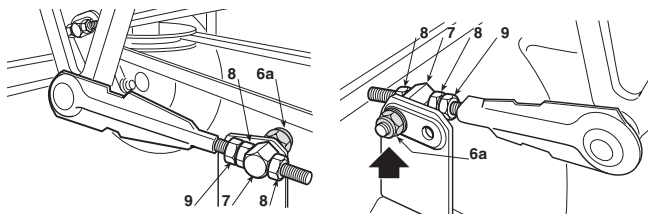
- Ta bort de två saxsprintarna (6) från de främre två anslutningsstagens stift (7), utan att lossa eller ändra läget på muttrarna (8) eller låsmuttrarna (9).



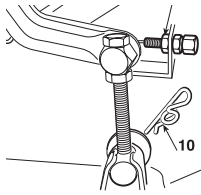
HF26◆◆

- Ta bort de två muttrarna (6) från de två främre anslutningsstagens stift (7), utan att lossa eller ändra läget på muttrarna (8) eller låsmuttrarna (9).





Ta bort de två saxsprintarna (10) från de bakre stiften. Kontrollera sedan att det inte finns några hinder och ta bort klippaggregatet, och dra ut det så att alla stift kommer loss.



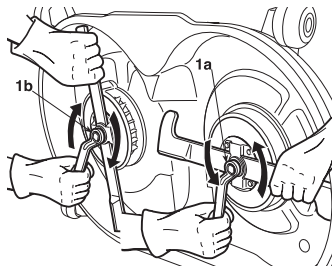
För att montera, se till att de två bakre hålen på stiften används (7), och utför de åtgärder som beskrivs ovan i omvänd ordning och se till att den främre änden av utkastet är rätt placerat, i förhållande till klippaggregatet.

b) Borttagning, utbyte och ombalansering av knivarna

⚠️ VARNING! Alla åtgärder på kniven (demontering, slipning, balansering, tillbakasettning och/eller byte) kräver vissa kunskaper och specialverktyg. Av säkerhetsskäl ska du vända dig till ett specialistcenter om du inte har rätt verktyg eller den kunskap krävs.

⚠️ VARNING! Bär alltid kraftiga skyddshandskar för att hantera knivarna.

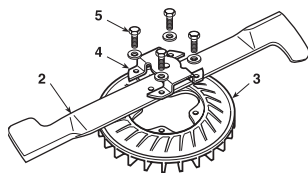
För att ta bort en kniv, håll fast den ordentligt och lossa centrumskruven (1a-1b) med en 15 mm nyckel i den riktning som anges av pilen för varje knivblad och lägg märke till att en av fästskruvarna har en högergånga och den andra en vänstergänga.



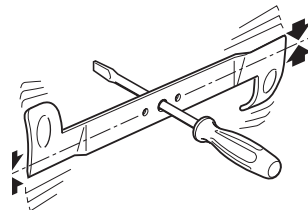
1a = skruv med högergånga (lossa moturs)
1b = skruv med vänstergänga (dra åt moturs)

Knivarna (2) sitter på rotorn (3) genom ett fäste (4) och fyra skruvar med brickor (5).

Använd en 10 mm nyckel för att lossa de fyra skruvarna (5) och frigöra knivarna (2) från fästet (4).



Slipa de två skäreggen med en slipskiva med finhetsgrad medel och kontrollera balansen genom att hålla upp knivarna med en skruvmejsel insatt i mitthålet.



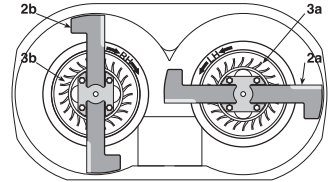
⚠️ VARNING! Byt alltid ut skadade eller böjda knivar. Försök aldrig reparera dem! ANVÄND ALLTID ORIGINALKNIVAR!

Endast följande knivpar kan användas till den här maskinen:

HF 2317:	2b	80395-Y09-003 (82004345/1)	-	80394-Y09-003 (82004344/1)	2a
HF 2417:	2b	72511-VK1-A11 (82004341/1)	-	72531-VK1-A11 (82004340/1)	2a
HF 2625:	2b	72511-VK1-B11 (82004343/0)	-	72531-VK1-B11 (82004342/0)	2a

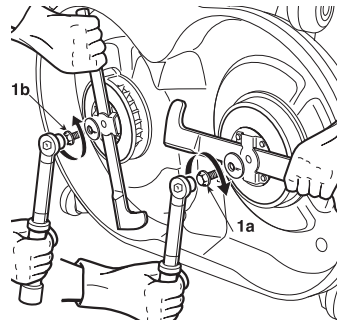
⚠️ VARNING! Knivarna (2) och rotorerna (3) skiljer sig från varandra och roterar mot varandra. Vid montering, se till att ursprungspositionerna respekteras.

Sätt ihop var och en av knivarna (2a - 2b) med respektive rotor (3a - 3b), med hänsyn till markeringarna "RH" (höger) och "LH" (vänster) på rotorn och på insidan av klippaggregatet, dra sedan åt de fyra skruvarna (5) med brickor med hjälp av en momentnyckel som är inställd på 9,5 Nm.

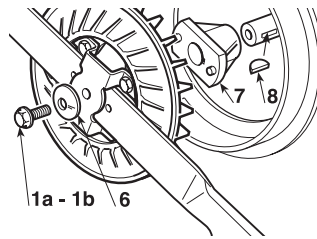


OBS! Markeringarna "höger" och "vänster" är utifrån körposition.

⚠️ VARNING! Om en eller båda axelnaven (7) lossnar när man demonterar knivarna, ska man försäkra sig om att kilarna (8) hamnar på plats. Vid montering av knivarna, följ alltid de instruktioner som ges, och se till att knivarnas fenor är vända mot insidan av klippaggregatet och att den kupade sidan av den elastiska skivan (6) trycker mot knivarna. Dra åt fästskruvarna (1a - 1b) med hjälp av en momentnyckel inställd på 45-50 Nm.



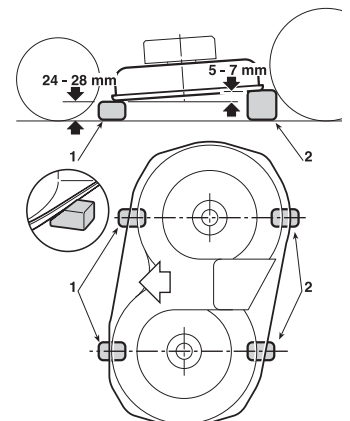
1a = skruv med högergånga (dra åt medurs)
1b = skruv med vänstergänga (dra åt moturs)



6.3.2 Rikta klippaggregatet

Klippaggregatet bör justeras korrekt för att få en jämn klippt gräsmatta.

OBS! Den främre delen ska alltid vara 5-7 mm lägre än den bakre delen för att man ska få ett bra klipresultat.



- Placera maskinen på en plan yta och kontrollera däcktrycket

– Placera två 24–28 mm mellanläggsblock (1) under framkanten på klippaggregatet och två mellanläggsblock (2) 5–7 mm högre under bakkanten, och se till att de är placerade längs centrumlinjen av knivarna

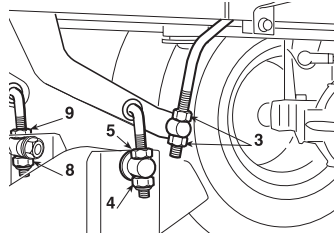
– Placera höjdjusteringsreglaget i läge 1.

▶ HF2317♦♦♦

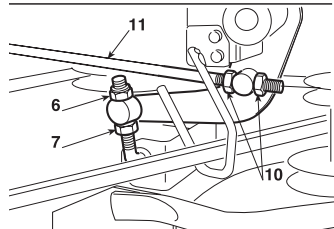
- Lossa de tre anslutningsstagens två muttrar (3), muttrarna (4–6–8) och låsmuttrarna (5–7–9) helt så att klippaggregatet vilar på blocken;
- Skruva på de två övre högra muttrarna (6–8) och den nedre vänstra muttern (4) tills klippaggregatet börjar höja sig. Dra åt de tre låsmuttrarna (5–7–9) och vrid muttrarna (3) tills en minimal rörelse av lyftarmen ger en analog rörelse av alla lyftstagen.

Eventuell höjdskillnad mellan klippaggregatets vänstra och högra sida kan elimineras genom att man skruvar på de två muttrarna (4–8) och låsmuttrarna (5–9) på enbart de bakre stagen.

Flytta styrspaken till 2 eller 3 olika positioner och se till att klippaggregatet höjer sig jämnt och att skillnaden i höjd från marken förblir densamma mellan den främre och bakre kanten.



Om den främre delen tenderar att höja sig snabbare eller långsammare kan detta justeras genom att man skruvar på muttrarna (10) på anslutningsstaget (11).

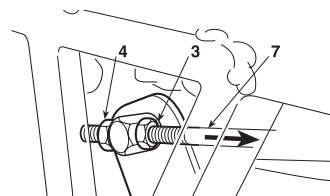
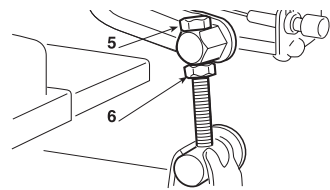


Om man skruvar ner muttrarna på staget lyfts den främre delen vilket gör att den stiger snabbare och om manskruvar upp dem får man motsatt effekt.

▶ HF24♦♦♦♦

▶ HF26♦♦♦♦

- Lossa muttrarna (3), skruvarna (5) och låsmuttrarna (4–6) på höger och vänster sida så att klippaggregatet vilar stadigt på blocken
- tryck de två anslutningsstagen bakåt (7) och dra åt muttrarna (3) till respektive stavar tills både vänster och höger sida av den främre delen av klippaggregatet börjar höja sig och dra sedan åt låsmuttrarna (4)
- vrid de båda bakre skruvarna (5) tills både vänster och höger sida av den bakre delen av klippaggregatet börjar höja sig och dra sedan åt de låsmuttrar som hör till (6).



Om du inte kan justera klippdäcksaggregatet ordentligt ska du kontakta din återförsäljare.

6.3.3 Justera knivarnas växel och broms

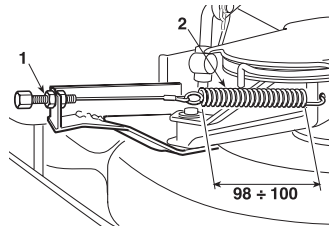
När spaken för att avaktivera knivarna används, sätts också bromsen igång, som stoppar rotationen på några sekunder.

En utsträckt vajer och ändringar i bältets längd kan påverka korrekt aktivering eller rotation av knivarna.

I sådana fall, vrid justeraren som hör till modellen i fråga.

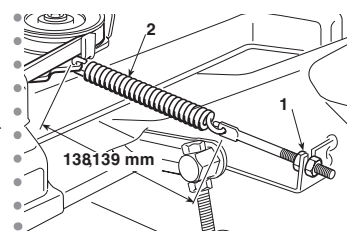
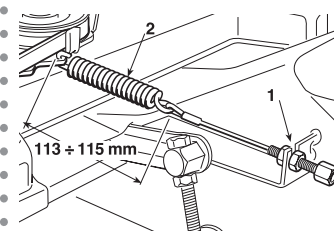
Justera regleraren (1) tills fjädern (2) har rätt längd.

▶ HF2317♦♦♦



▶ HF2417♦♦♦

▶ HF2625♦♦♦



I vilket fall som helst, kontakta din återförsäljare om växeln efter justering inte kan aktivera bältet korrekt eller blockera knivarna inom några sekunder.

6.3.4 Bromsjustering

Om bromssträcken är längre än vad som anges (☛ 5.3.6) krävs justering av bromsfjädern.

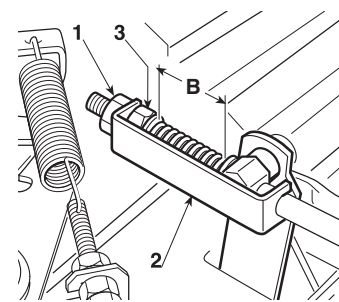
Justeringen ska utföras med parkeringsbromsen ilagd.

Man kommer åt justeringen genom att ta bort luckan som sitter på tunneln på sätets bas.

Lossa muttern (1) som håller fästet (2) och skruva sedan på muttern (3) till dess att längden på fjädern är:

$$B = 45-47 \text{ mm}$$

mätt från brickornas insida. Efter att justeringen är avslutad ska du dra åt muttern (1).



VIKTIGT Dra inte åt skruvarna under dessa värden för att undvika överbelastning av bromsenheten.

⚠ VARNING! Om bromsen fortfarande inte fungerar som den ska, ska du kontakta din återförsäljare. UTFÖR INTE NÅGOT ANNAT ARBETE PÅ BROMSSYSTEMET ÄN DET SOM BESKRIVS HÄR.

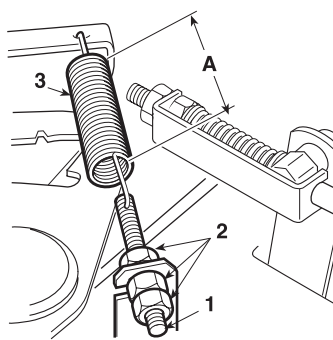
6.3.5 Justera drivremmens spänning

Om du märker att driveffekten framåt blir svagare ska du justera spänningen för sträckarens fjäder så att du återfår ursprungliga förhållanden. Man kommer åt justeringen genom att ta bort luckan som sitter på tunneln på sätets bas.

Lossa låsmuttrarna (2) och lossa eller dra åt skruven (1) så mycket som är nödvändigt för att fjäderlängden "A" (3) ska bli:

A = 109–111 mm

mätt från ena änden på fjädern till den andra. Efter att justeringen är avslutad ska du dra åt muttrarna (2).

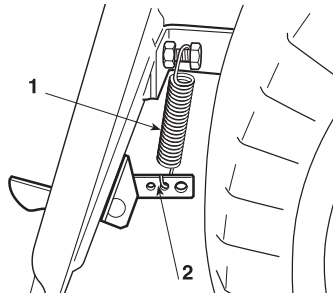


OBS! Vid byte av remmen måste man vara försiktig de första gångerna man använder åkräsklipparen, eftersom inkopplingen kan ske överraskande, till dess att remmen är tillräckligt inkörd.

6.3.6 Justera fjädern för gräsuppsamlarens spärrhake

Om gräsuppsamlaren tenderar att röra sig eller öppna sig vid drift på ojämn mark eller om den är svår att haka på efter tömning, är det nödvändigt att justera fjäderspänningen (1).

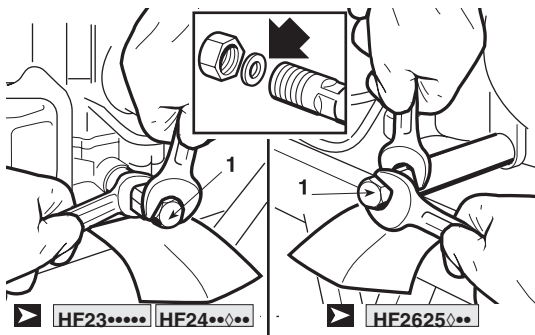
Ändra fasthållningspunkten genom att använda ett av hålen (2) till dess önskat resultat uppnås



6.4 DEMONTERING OCH BYTE

6.4.1 Byte av motorolja

Tappa av den gamla oljan när motorn är kall.



Ta bort påfyllningslocket med oljestickan och placera en bit kartong eller liknande under avtappningsröret för att förhindra att olja droppar på maskinens ram.

Skruva loss locket (1). Kontrollera positionen för den inre packningen när du sätter tillbaka locket.

Fyll på med rekommenderad olja upp till den övre nivån på oljestickan. (☛ 5.3.3). Skruva tillbaka oljestickans lock igen.

6.4.2 Byte av oljefilter

1. Tappa av motoroljan (☛ 6.4.1).
2. Ta bort oljefiltret (1) med en filterborttagare (2) och låt resten av oljan rinna ut. Kassera oljefiltret.
3. Rengör filterbasen (3).
4. Täck den nya toroidformade tätningringen (4) på det nya filtret med ren motorolja.
5. Montera det nya oljefiltret på filterbasen och dra åt det för hand tills O-ringen sitter på plats mot filterbasen.

6. Dra åt oljefiltret till angivet åtdragningsmoment. (12 Nm – 1,20 kgm).

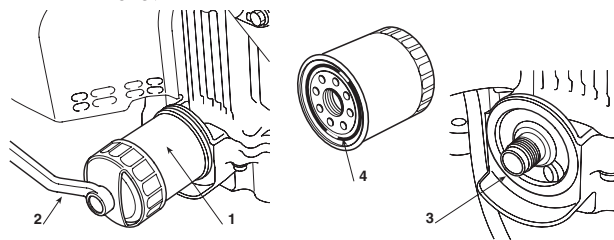
VIKTIGT Använd endast originaloljafilter från Honda, eller filter av motsvarande kvalitet, specifikt för din modell. Om du använder felaktigt Honda-filter eller ett filter som inte är ett Honda-filter och som inte är av motsvarande kvalitet kan motorn skadas.

7. Fyll på motorn med specificerad mängd rekommenderad olja. Starta motorn och kontrollera om filtret läcker.

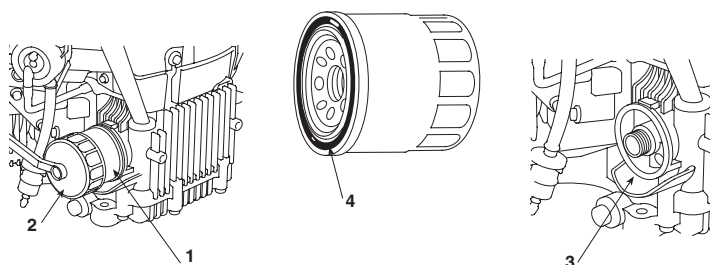
8. Stäng av motorn och kontrollera oljenivån på nytt. Fyll på olja upp till lämplig nivå, om så krävs.

OBS! Kontakta en auktoriserad Honda-återförsäljare angående filterborttagare (specialverktyg).

▶ **HF2625♦♦♦**



▶ **HF23♦♦♦♦♦ HF24♦♦♦♦♦**



6.4.3 Service på luftfilter

⚠ VARNING! Rengör aldrig luftfiltret med bensin eller mycket lättantändliga lösningsmedel. Det kan orsaka en explosion eller brand.

VIKTIGT Kör aldrig motorn utan luftrenarfiltret. Främmande partiklar som till exempel damm eller smuts kan komma in i motorn och göra så att den slits snabbare.

1.

▶ **HF23♦♦♦♦♦ HF24♦♦♦♦♦** :

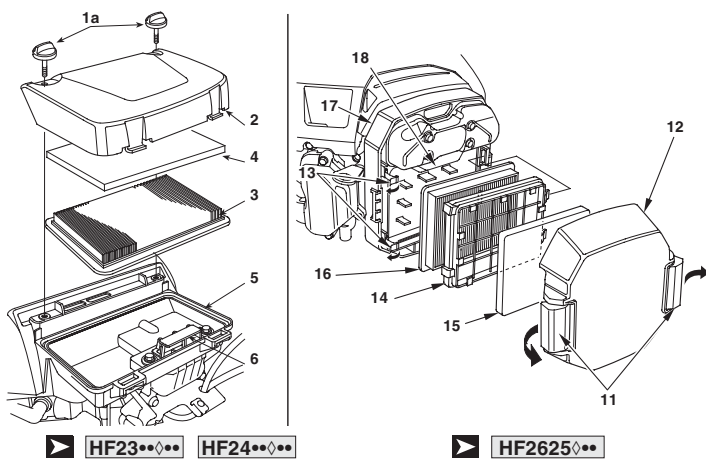
- Ta bort de två bultarna (1a) på luftfiltrets kåpa och ta bort kåpan.
- Ta undan papperselementet (3) från luftfilterhuset (5). Ta bort skumgummi-elementet (4) från luftfilterkåpan (2).

▶ **HF2625♦♦♦** :

- Lossa de två låsflikarna (11) från luftfilterkåpan (12).
- Frigör de två flikarna (13) från filterhållaren (14), ta sedan bort filterhållaren (14) och ta bort skumgummi-elementet (15) från hållaren.
- Ta bort papperselementet (16).

2. Rengör luftfilterelementen om de ska återanvändas.

- **Skumgummi-element (4-15):** rengör i varmt tvålsvatten, skölj och låt torka ordentligt. Alternativt kan man rengöra i ej brandfarligt rengöringsmedel och låta torka. Dränk elementet i ren motorolja och krama ur överflödiga olja. Om det finns för mycket olja kvar i skumgummi-elementet kommer motorn att ryka när man startar.
- **Pappers-element (3-16):** knacka filterelementet lätt flera gånger mot en hård yta för att avlägsna smuts eller blås med tryckluft (som inte överstiger 2,1 kgf/cm² genom filtret luftfilterhusets sida). Försök inte att borsta bort smuts efter som det gör att smutsen tränger in i fibrerna. Byt ut pappers-elementet om det är mycket smutsigt.



▶ HF23♦♦♦♦ HF24♦♦♦♦

▶ HF2625♦♦♦♦

3. Torka bort smuts från luftfilterhusets insida (5-17) och från kåpan med hjälp av en fuktig trasa. Var noggrann med att hindra smuts från att komma in i renlufts-kammaren (6-18) vilket annars kan leda till att det når förgasaren.
4. Montera tillbaka luftfilterpatronerna och kåpan.

▶ HF23♦♦♦♦ HF24♦♦♦♦: Dra åt de två bultarna (1a) på luftfilterkåpan ordentligt.

▶ HF2625♦♦♦♦: Haka fast låsflikarna (11) ordentligt.

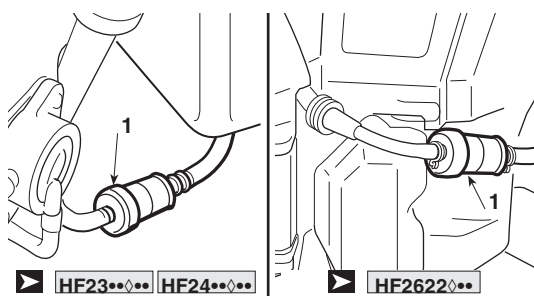
OBS! Se till att inte damm, smuts och skräp kommer in i renlufts-kammaren (luftfilterhuset) när du utför underhåll på luftfiltret.

6.4.4 Underhåll av bränslefilter

⚠ WARNING! Bensin är en mycket lättantändlig vätska som kan explodera under vissa förhållanden. Du får absolut inte röka eller komma nära motorn med eldslågor eller gnistor.

Kontroller om vatten eller sediment samlats i bränslefiltret (1). Ta motorn till en auktoriserad Honda-återförsäljare, om så är fallet.

6.4.5 Underhåll av tändstift



▶ HF23♦♦♦♦ HF24♦♦♦♦

▶ HF2622♦♦♦♦

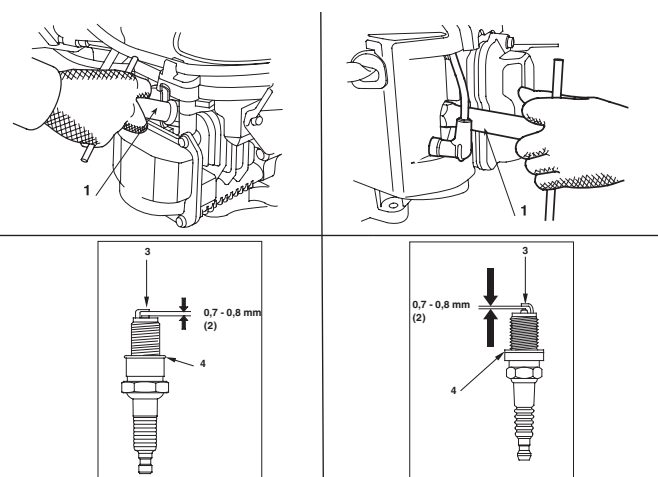
Rekommenderade tändstift:

▶ HF23♦♦♦♦ HF24♦♦♦♦:
• BPR5ES (NGK) – W16EPR-U (DENSO).

▶ HF2625♦♦♦♦:
• ZFR5F (NGK)

VIKTIGT Använd aldrig ett tändstift med felaktigt värmetal.

För att motorn ska fungera optimalt måste tändstiftens elektrodavstånd vara korrekta och tändstiften måste vara fria från kolavlagningar.



▶ HF23♦♦♦♦ HF24♦♦♦♦

▶ HF2625♦♦♦♦

1. Ta bort tändhattarna och använd en tändstiftsnyckel [1] för att ta bort tändstiften.

⚠ WARNING! När motorn är igång är ljuddämparen mycket varm. Var försiktig så att du inte bränner dig på den.

2. Kontrollera tändstiften visuellt. Kassera tändstiftet om det verkar slitet eller om isoleringen är skadat eller sprucket. Rengör tändstiften med en stålborste om de ska återanvändas.
3. Använd ett bladmått för att mäta elektrodavståndet (2) på tändstiftet och korrigera avståndet genom att böja sideelektroden (3), om så behövs. Elektrodavståndet ska vara: 0,7–0,8 mm.
4. Försäkra dig om att tändstiftsbrickan (4) är i bra kondition och skruva in tändstiftet för hand. Undvik att skada tändstiftets gängor.
5. När tändstiftet skruvats ner hela vägen för hand, drar du åt det med en tändstiftsnyckel (1) för att pressa samman brickan.

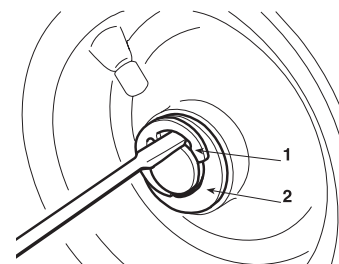
OBS! Ett nytt tändstift ska dras åt 1/2 varv med tändstiftsnyckeln för att pressa samman brickan. Ett tändstift som återanvänds ska dras 1/8–1/4 varv med tändstiftsnyckeln för att pressa samman brickan.

VIKTIGT Tändstiften måste dras åt ordentligt. Om tändstiften inte dras åt ordentligt kan de överhettas och skada motorn.

6.4.6 Byta hjul

Stoppa maskinen på ett plant underlag och sätt ett block under en belastningsbärande del på ramen på den sida där hjulet ska bytas.

Hjulen hålls fast med en låsring (1) som kan tas bort med en skruvmejsel.



Bakhjulen är direktkopplade till differentialaxeln och fästa med en nyckel som utgör den del av hjulnavet.

OBS! Om du måste byta ut ett eller båda bakhjulen, se till att de har samma diameter och kontrollera att klippaggregatet är horisontellt för att förhindra en ojämn klippning.

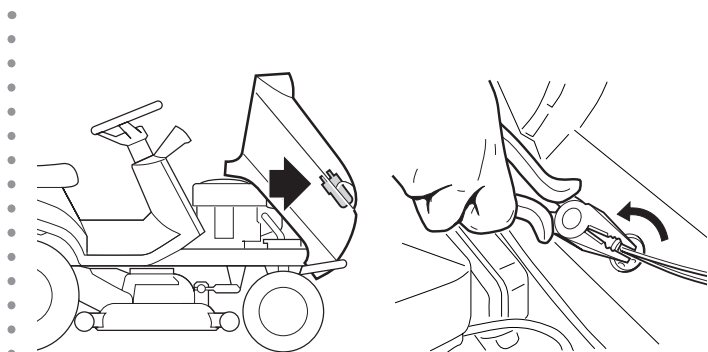
VIKTIGT Innan du sätter tillbaka ett hjul ska du smörja axeln med vattenfast fett och försiktigt sätta tillbaka låsringen (1) och brickan (2).

6.4.7 Byte och reparation av däck

Däcken är av slanglös typ och därför ska alla reparationer av punkteringar utföras av en däckexpert enligt metoderna för dessa däck.

6.4.8 Byte av lampor

▶ **HF23♦♦♦♦** **HF2417HB♦**:



- Glödlamporna (10 W) har bajonettfattning och de sitter i lamphållaren som man kan ta ut genom att man vrider den moturs med en tång.

6.4.9 Säkringsbyte

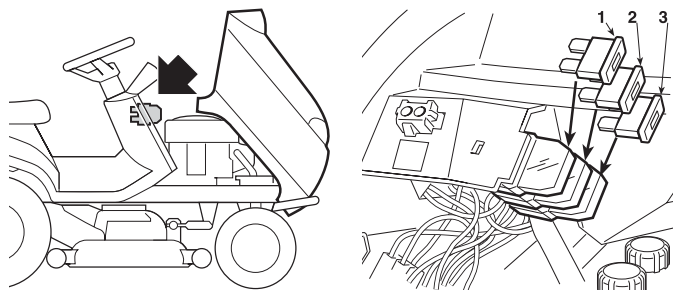
Maskinen är utrustad med säkringar med olika kapacitet och funktioner, så som visas i tabellen nedan:

1–10 Amp – (röd) generellt skydd och strömkrettskydd för elektronikkortet

▶ **HF23♦♦♦♦** **HF2417HM♦** **HF2625HM♦**
• 2–15 Amp – (blå) skydd för laddningskretsen

▶ **HF2417HT♦** **HF2625HT♦**
• 2–15 Amp – (blå) skydd för laddningskretsen
• 3–10 Amp – (röd) skydd för styrkretsen för tippning av gräsupsamlaren.

- När säkringen (1) löser ut stannar maskinen och instrumentpanelen stängs av helt.
- När säkringen (2) löser ut visas det genom batteriets varningslampa (☛ 4.13.f).
 - När säkringen (3) löser ut fungerar inte styrmotorn för tippning av gräsupsamlaren.



VIKTIGT En trasig säkring ska alltid bytas ut mot en av samma typ och amperetal. Använd aldrig en säkring med annat amperetal.

Om du inte vet varför säkringen löst ut ska du kontakta återförsäljaren.

6.4.10 Byte av remmar

Att byta remmar är en ganska komplicerad process vad gäller demontering och justering. Därför ska detta arbete utföras av återförsäljaren.

OBS! Byt remmarna så snart de visar tecken på slitage!
ANVÄND ALLTID ORIGINALREMMAR!

7. FELSÖKNING

PROBLEM	TROLIG ORSAK	ÅTGÄRD
1. När tändningsnyckeln vrids till "PÅ" förblir instrumentpanelen avstängd utan något varningsljud.	Elektronikkortets säkerhetsskydd har ingripit på grund av: <ul style="list-style-type: none"> – dåligt anslutet batteri – batteripolerna är korskopplade – helt urladdat batteri eller eroderade batteriplattor – trasig säkring – dålig jordning till motorn eller ramen 	Vrid nyckeln till AV-läget och leta efter orsaken till problemet: <ul style="list-style-type: none"> – kontrollera anslutningar (☛ 3.1) – kontrollera anslutningar (☛ 3.1) – ladda batteriet (☛ 6.2.3) – byt säkring (10 A) (☛ 6.4.9) – kontrollera anslutningar för den svarta jordledningen.
2. När tändningsnyckeln vrids till "PÅ" förblir instrumentpanelen avstängd, men kontinuerligt varningsljud har aktiverats.	Elektronikkortets säkerhetsskydd har ingripit på grund av: <ul style="list-style-type: none"> – fukt i elektronikkort – batterispänning för hög – problem med elektronikkortet 	Vrid nyckeln till AV-läget och leta efter orsaken till problemet: <ul style="list-style-type: none"> – torka med hjälp av ljummen luft – kontrollera batterispänningen – kontrollera anslutningar (☛ 3.1) – byt ut batteriet – kontakta återförsäljaren.
3. När nyckeln är i START-läget är instrumentpanelen tänd, men startmotorn sätter inte igång.	<ul style="list-style-type: none"> – otillräckligt laddat batteri – dålig jordning – startförsättningarna har inte uppfyllts (☛ 5.2) 	<ul style="list-style-type: none"> – ladda batteriet (☛ 6.2.3) – kontrollera jordanslutningar – koppla bort knivarna (kontrollera relevant mikrobrytare, om problemet kvarstår) – lägg växeln i neutralläge ("N") – sitt ordentligt på sätet
4. När nyckeln är i START-läget går startmotorn men motorn startar inte.	<ul style="list-style-type: none"> – otillräckligt laddat batteri – fel på bränslematningen – fel på tändningen – låg oljenivå 	<ul style="list-style-type: none"> – ladda batteriet (☛ 6.2.3) – kontrollera nivån i tanken (☛ 5.3.3) – kontrollera kabeldragningen för bränslets öppningsventil – kontrollera bränslefiltret (☛ 6.4.4) – kontrollera att tändhatten sitter på ordentligt (☛ 6.4.5) – kontrollera att elektroderna är rena och det är korrekt avstånd mellan dem (☛ 6.4.5) – kontrollera motoroljenivån och fyll på om så behövs (☛ 5.3.3).
5. Det är svårt att starta eller så går motorn ojämnt.	– problem med förgasare	<ul style="list-style-type: none"> – rengör eller byt ut luftfiltret (☛ 6.4.3) – spola igenom flottörkammaren (☛ 5.4.13) – töm bränsletanken och fyll på med nytt bränsle (☛ 5.4.13) – kontrollera och byt ut bränslefiltret, om så behövs (☛ 6.4.4)
6. Maskinen startar inte:	<ul style="list-style-type: none"> – transmissionen är inte i neutralläge ("N") och farthållaren är inte bortkopplad från tidigare användning 	<ul style="list-style-type: none"> – vrid tändningsnyckeln till "AV" – koppla bort farthållarenheten (☛ 4.9) Försäkra dig om att indikatorn för neutralläge ("N") (4.13.j) tänds på displayen. Om problemet kvarstår ska du kontakta återförsäljaren.
7. Svag motorprestanda under klippning	<ul style="list-style-type: none"> – körhastigheten är för hög i förhållande till klipphöjden (☛ 5.4.5) 	– minska hastigheten framåt och/eller höj höjden på klippaggregatet.
8. Motorn stänger av när knivarna aktiveras.	<ul style="list-style-type: none"> – knivarnas aktiveringsfunktion saknar tillåtelse (☛ 5.2) – knivarna är inkopplade i backläge 	<ul style="list-style-type: none"> – sitt ordentligt på sätet (kontrollera relevant mikrobrytare, om problemet kvarstår) – kontrollera att gräsupsamlaren eller utkastskyddet är korrekt monterade (kontrollera relevant mikrobrytare, om problemet kvarstår) – tryck på knappen som tillåter klippning i backläge (☛ 4.7)
9. Farthållarenheten kopplas inte in (aktivera)		
10. Farthållarenheten kopplas inte ur (avaktivera): <ul style="list-style-type: none"> – genom att trycka på den svampformade knappen (4.9) – genom att aktivera pedalen för körning framåt (4.22) – genom att använda bromspedalen (4.23) 	<ul style="list-style-type: none"> – enhetens komponenter är blockerade eller skadade 	<ul style="list-style-type: none"> – vrid tändningsnyckeln till "AV" – kontakta återförsäljaren.

PROBLEM	TROLIG ORSAK	ÅTGÄRD
11. Batterilampan släcks inte efter att motorn varit igång några minuter	– otillräcklig batteriladdning	– kontrollera anslutningar
12. Batterilampan blinkar	– batteriet har nått tröskeln för överspänning	– Vrid tändningsnyckeln omedelbart till AV-läget – Koppla bort batteriet – Kontakta återförsäljaren.
13. Oljelampan tänds när motorn är igång.	– problem med smörjning av motorn	Vrid tändningsnyckeln omedelbart till AV-läget. – fyll på med olja (☛ 5.3.3) – byt ut oljefiltret (kontakta återförsäljaren om problemet kvarstår).
14. – Kalibreringen misslyckades. Tiltindikatorerna (4.13.l) blinkar omväxlande	– maskinens krav har inte uppfyllts – time-out har inträffat	– vrid nyckeln till "AV", kontrollera maskinens status och kontakta återförsäljaren för att omkalibrera sensorn.
15. Tiltindikatorerna (4.13.l) tänds ofta på fel sätt	– fel på sensorn	– Kontakta återförsäljaren
16. – Tiltindikatorerna (4.13.l) tänds när ytan är plan eller på en på en svag lutning.	– körningen utförs inte på ett säkert sätt – lågt däcktryck – ttiltsensorn är inte kalibrerad – problem med elektronik kortet	– kör utan plötsliga rörelser, starta, stoppa och styra – kontrollera däcktrycket – kontakta återförsäljaren. – kontakta återförsäljaren.
17. USB-enheten laddas inte när tändningsnyckeln är i PÅ-läget	– dåligt ansluten enhet – enheten är inte ansluten – fel på USB-kabeln – temperaturen i USB-uttaget är för hög – otillräckligt laddat batteri	Vrid nyckeln till AV-läget och leta efter orsaken till problemet: – kontrollera enhetens anslutning – kontrollera enhetens anslutning – använd en annan USB-kabel – vänta tills USB-uttaget svalnat och försök igen – kontrollera batterispänningen och laddningssystemet.
18. Koden för underhållsintervall visas inte när gränsen för underhållsåtgärder passerats (☛ modeller HF2417•••)	– batterispänning för hög	– kontrollera batterispänningen på displayen och vänta tills spänningen sjunkit till under 12,7 V. Försök sedan igen.
19. Koden för underhållsintervall och ikonen för underhållsintervall kan inte återställas trots att motorn är avstängd (☛ modeller HF2417•••)		
20. Körtider (4.13.a.1) registreras inte (☛ modeller HF2417•••)	– regulatorn bortkopplad – fel på regulator eller elektronik kort	– kontrollera anslutningen för regulator – kontrollera batterispänningen när motorn är igång Om spänningen är under 12,7 V är det fel på regulatorn. Om spänningen är över 12,7 V är det fel på elektronik kortet
21. Körtider (4.13.a.1) registreras inte (☛ modeller HF2625•••)	– motorns varvtals- signal frånkopplad – fel på regulator eller elektronik kort	– kontrollera anslutningen för motorns varvtals- signal – kontrollera det numeriska värdet och grafiken för motorns varvtals- indikator på displayen med motorn igång. Om det numeriska värdet och den grafiska indikatorn visas, kan det vara fel på elektronik kortet. Om ingen av dem visas är det fel på motorn.
22. Om ljusstyrkan för LED-strålkastarna sjunker under körning	– låg batterispänning – temperaturen i den elektroniska enheten inuti strålkastarenheten är för hög	Vrid nyckeln till AV-läget och leta efter orsaken till problemet: – kontrollera batterispänningen och laddningssystemet – vänta en liten stund och starta sedan om
23. LED-strålkastarna tänds inte i mörker, trots att positionsljuset (dagsljus) är på	– anslutningen är frånkopplad – kabeln är inte ordentligt ansluten – problem med elektronik kortet – skadat kablage	Vrid nyckeln till AV-läget och leta efter orsaken till problemet: – kontrollera anslutningar och kablar – kontakta återförsäljaren.
24. Positionsljuset (dagsljus) tänds inte	– anslutningen är frånkopplad – kabeln är inte ordentligt ansluten – skadat kablage	Vrid nyckeln till AV-läget och leta efter orsaken till problemet: – kontrollera anslutningar och kablar – kontakta återförsäljaren.

<p>25. Motorn stannar och en varningssignal ljuder</p>	<p>Elektronikkortets säkerhetsskydd har ingripit på grund av:</p> <ul style="list-style-type: none"> - batteriet innehåller elektrolyt men är inte laddat - för hög spänning på grund av laddningsregulatorn - dåligt anslutet batteri (dålig kontakt) - motorn dåligt jordad 	<p>Vrid nyckeln till AV-läget och leta efter orsaken till problemet:</p> <ul style="list-style-type: none"> - ladda batteriet (☛ 6.2.3) - kontakta återförsäljaren. - kontrollera anslutningar (☛ 3.1) - kontrollera motorns jordanslutning
<p>26. Motorn stannar utan att någon varningssignal ljuder.</p>	<ul style="list-style-type: none"> - batteriet bortkopplat - inget bränsle i motorn - problem med motorn 	<ul style="list-style-type: none"> - kontrollera anslutningar (☛ 3.1) - kontrollera motorns jordanslutning - kontakta återförsäljaren.
<p>27. Knivarna aktiveras inte</p>	<ul style="list-style-type: none"> - slackande rem - problem med det elektromagnetiska ingreppet 	<ul style="list-style-type: none"> - vrid justeraren (☛ 6.3.3) - kontakta återförsäljaren.
<p>28. Ojämn klippning och dålig gräsuppsamling</p>	<ul style="list-style-type: none"> - klippaggregatet är inte parallellt med marken - ineffektiva knivar - körhastigheten är för hög i förhållande till höjden på gräset (5.4.5) - uppsamlingskanalen är igentäppt - klippaggregatet är fullt av gräs 	<ul style="list-style-type: none"> - kontrollera däcktrycket (☛ 5.3.2) - återställa klippaggregatets parallella förhållande till marken (☛ 6.3.2) - kontrollera att knivarna är ordentligt monterade (☛ 6.3.1) - slipa eller byt ut knivarna (☛ 6.3.1) - kontrollera remmens spänning och kabeln för knivarnas aktiveringsspak (☛ 6.3.3) - minska hastigheten framåt och/eller höj höjden på klippaggregatet - vänta tills gräset torkat - ta bort gräsuppsamlaren och rensa utkastet (☛ 5.4.7) - rengör klippaggregatet (☛ 5.4.11)
<p>29. Onormala vibrationer vid körning</p>	<ul style="list-style-type: none"> - knivarna är obalanserade - knivarna sitter löst - lösa bultar eller skruvar 	<ul style="list-style-type: none"> - balansera eller byt ut knivarna om de är skadade (☛ 6.3.1) - kontrollera att knivarna är ordentligt monterade (☛ 6.3.1) - kontrollera och dra åt alla bultar till motor och ram
<p>30. Maskinen rör sig inte när motorn går och man trycker ner drivkopplingspedalen.</p>	<ul style="list-style-type: none"> - lossa reglaget i läge "B" (☛ 4.24) 	<ul style="list-style-type: none"> - sätt det i läge "A"
<p>31. Svårt att flytta mulching-reglaget (☑ modeller HF2417HM• - HF2417HT• HF2625H♦♦)</p>	<ul style="list-style-type: none"> - Spaken rör sig inte (besvär som orsakas av en ansamling av gräs i utkastet eller klippaggregatet) - luckan stängs inte ordentligt 	<ul style="list-style-type: none"> - ta bort material som samlats i utkastet eller klippaggregatet - kontakta återförsäljaren.

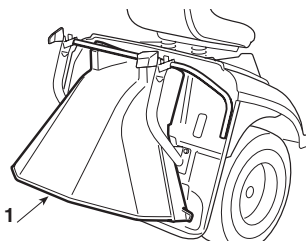
Om problemen kvarstår efter att åtgärderna ovan utförts, ska du kontakta återförsäljaren.

⚠ VARNING! Utför inget komplicerat reparationsarbete utan nödvändig utrustning och teknisk kunskap. Garantin upphör automatiskt att gälla och återförsäljaren avsäger sig allt ansvar för dåligt utförda reparationer.

8. REDSKAP PÅ BEGÄRAN

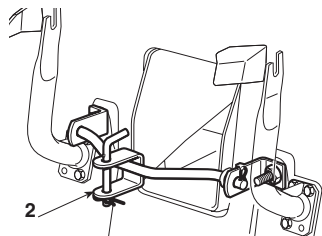
1. SATS MED UTKASTSKYDD 80609-VK1-003

Används istället för gräsuppsamlaren när gräset inte samlas ihop.



2. BOGSEINGSKROK 80596-VK1-003

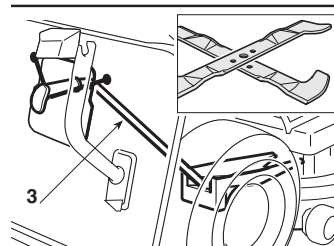
För att bogsera ett mindre släp.



3. MULCHING-PLUGG OCH KNIVAR

HF2317: 80597-VK1-003
HF2417HB: 06805-VK1-A10

För att hacka ner gräsklippen och lämna kvar det på gräsmattan, istället för att samla upp det i gräsuppsamlaren.



⚠ VARNING! Av säkerhetsskäl är det strängt förbjudet att montera på något annat tillbehör än de som finns med i listan ovan. De har utslutande designats för den här modellen och den typ av maskin som du använder.

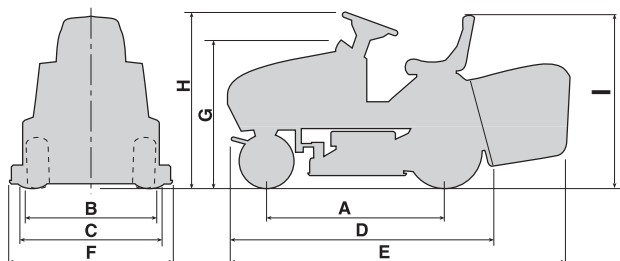
9. TEKNISKA SPECIFIKATIONER

MODELLER	HF2317HME	HF2417HBE	HF2417HME	HF2417HTE	HF2625HMEH	HF2625HTEH
Funktion						
Elsystem	12 V	12 V	12 V	12 V	12 V	12 V
Batteri	24 Ah	24 Ah	24 Ah	24 Ah	24 Ah	24 Ah
Motor: HONDA-typ	GCV530	GCV530	GCV530	GCV530	GXV690H	GXV690H
Kylsystem	Luft, forcerad ventilation					
Antal och cylinderkonfiguration (4-takt)	2/90 ° V	2/90 ° V	2/90 ° V	2/90 ° V	2/90 ° V	2/90 ° V
Ventilanordning	OHC	OHC	OHC	OHC	OHV	OHV
Total cylinderkapacitet	530 cm ³	530 cm ³	530 cm ³	530 cm ³	690 cm ³	690 cm ³
Effektiv motoreffekt (*) kW / min ⁻¹	11,3 kW / 3 600	11,3 kW / 3 600	11,3 kW / 3 600	11,3 kW / 3 600	16,5 kW / 3 600	16,5 kW / 3 600
Nominell motoreffekt kW/min ⁻¹	9,7 kW / 2 800	9,7 kW / 2 800	9,7 kW / 2 800	9,7 kW / 2 800	13,9 kW / 2 800	13,9 kW / 2 800
Drifhastighet min ⁻¹	2 800 min ⁻¹ (0,-150)	2 800 min ⁻¹ (0,-150)	2 800 min ⁻¹ (0,-150)	2 800 min ⁻¹ (0,-150)	2 800 min ⁻¹ (0,-150)	2 800 min ⁻¹ (0,-150)
Bränsletyp	Blyfri bensin E10					
Oljevolym	1,1 liter	1,1 liter	1,1 liter	1,1 liter	1,7 liter	1,7 liter
Framdäck	13 x 5,00-6	15 x 6,00-6	15 x 6,00-6	15 x 6,00-6	15 x 6,00-6	15 x 6,00-6
Bakdäck	18 x 8,50-8	18 x 8,50-8	18 x 8,50-8	18 x 8,50-8	18 x 8,50-8	18 x 8,50-8
Tryck i framdäcken	1,5 bar	1,0 bar	1,0 bar	1,0 bar	1,0 bar	1,0 bar
Tryck i bakdäcken	1,2 bar	1,2 bar	1,2 bar	1,2 bar	1,2 bar	1,2 bar
Bränsletankens volym	5,4 liter	5,4 liter	8,5 liter	8,5 liter	8,5 liter	8,5 liter
Vikt olastad (med olja, utan bränsle)	221 kg	243 kg	245 kg	256 kg	267 kg	276 kg
Körhastighet						
	0–8,2 km/tim	0–8,2 km/tim	0–8,2 km/tim	0–8,2 km/tim	0–8,2 km/tim	0–8,2 km/tim
i backväxelläge	0–4,2 km/tim	0–4,2 km/tim	0–4,2 km/tim	0–4,2 km/tim	0–4,2 km/tim	0–4,2 km/tim
Minsta radie av oklippt gräs	1,0 m	1,0 m	1,0 m	1,0 m	0,8 m	0,8 m
Klipphöjd	29 ÷ 80 mm	29 ÷ 90 mm	29 ÷ 90 mm	29 ÷ 90 mm	29 ÷ 90 mm	29 ÷ 90 mm
Klippbredd	92 cm	102 cm	102 cm	102 cm	122 cm	122 cm
Gräsuppsamlarkapacitet	280 liter	300 liter	300 liter	300 liter	350 liter	350 liter
Aktivera gräsuppsamlaren	manuellt	manuellt	manuellt	elektriskt	manuellt	elektriskt
Dimensioner (mm)						
A	1 150	1 150	1 150	1 150	1 150	1 150
B	835	880	880	880	880	880
C	950	950	950	950	950	950
D	1 870	1 870	1 870	1 870	1 870	1 870
E	2 480	2 460	2 460	2 460	2 460	2 460
F	960	1 060	1 060	1 060	1 250	1 250
G	980	990	990	990	990	990
H	1 100	1 120	1 120	1 120	1 120	1 120
I	1 290	1 290	1 290	1 290	1 290	1 290
Utsläpp av koldioxid (CO ₂) (**)	Se CO ₂ -informationslista på www.honda-engines-eu.com/co2					

(**) Det uppmätta CO₂-värdet är ett resultat av en fast testcykel under laboriemässiga förhållanden för en motor (förälder) som representerar motortypen (motorfamilj) och innebär inte eller visar inte på några garanterade prestanda för en specifik motor.

Maxnivåer för buller och vibrationer

MODELLER	HF2317HME	HF2417HBE	HF2417HME	HF2417HTE	HF2625HMEH	HF2625HTEH
Garanterad ljudeffektsnivå (2000/14/EG, 2005/88/EG)	dB(A) 100	100	100	100	105	105
Uppmätt ljudnivå (2000/14/EG, 2005/88/EG) Felmarginal	dB(A) 100 dB(A) 0,67	100 0,34	100 0,34	100 0,34	103 0,77	103 0,77
Ljudtrycksnivå vid örat (EN ISO 5395-1:2013 + A1:2018 / EN ISO 5395-3:2013 + A1:2017 + A2:2018) Felmarginal	dB(A) 85 dB(A) 0,72	85 1,20	85 1,20	85 1,20	89 2,03	89 2,03
Verkligt uppmätt värde vid acceleration på sätet (EN ISO 5395-1:2013 + A1:2018 / EN ISO 5395-3:2013 + A1:2017 + A2:2018) Felmarginal	m/s ² 0,8 m/s ² 0,30	0,8 0,24	0,8 0,24	0,8 0,24	0,7 0,18	0,7 0,18
Verkligt uppmätt värde vid acceleration på ratten (EN ISO 5395-1:2013 + A1:2018 / EN ISO 5395-3:2013 + A1:2017 + A2:2018) Felmarginal	m/s ² 2,9 m/s ² 1,07	3,3 0,93	3,3 0,93	3,3 0,93	3,5 0,97	3,5 0,97



(*) Värdet för motoreffekt som anges i det här dokumentet är den effektiva uteffekten såsom testad på motorn för modellerna GCV530 och GXV690H, uppmätt i enlighet med SAE J1349 vid 3 600 min⁻¹ (effektiv effekt) och vid 2 800 min⁻¹ (nettoeffekt). Massproducerade motorer kan uppvisa andra värden. Motorns uteffekt när den är monterad på maskinen kan variera beroende på många faktorer, såsom motorns drifhastighet under drift, miljömässiga förhållanden, underhåll och andra variabler.

10. ALFABETISKT INDEX

Akustisk signal		
Funktion	4.13-o	
Åtgärd	5.4.6	
Batteri		
Beskrivning	2.2-7	
Anslutning	3.1	
Långa perioder när maskinen inte används	5.4.13	
Underhåll och uppladdning	6.2.3	
Bogsering		
Instruktioner	1.4	
Broms		
Pedalfunktion	4.21	
Effektivitetskontroll	5.3.4	
Bromsanvändning	5.4.3	
Justeringar	6.3.4	
Choke		
Funktion och användning	4.2	
Drivkopplingspedaler		
Pedalernas funktion	4.22 - 4.23	
Körning framåt	5.4.2	
Bakåt	5.4.4	
Däck		
Däcktryck	5.3.2	
Reparation och byte	6.4.7	
Farthållare		
Funktion och användning	4.9	
Gasreglage		
Funktion och användning	4.3	
Gräsuppsamlare		
Beskrivning	2.2-4	
Tippkontroll	4.11	
Montering på maskinen	5.3.5	
Tömning	5.4.6	
Justering av koppling	6.3.6	
Hastighetsändring		
Körning framåt	5.4.2	
Bakåt	5.4.4	
Hjuldrivning		
Justering av rem	6.3.5	
Hjul		
Utbyte	6.4.6	
Klippaggregat		
Beskrivning	2.2-1	
Inre rengöring	5.4.11	
Demontering	6.3.1-a	
Inriktning	6.3.2	
Klipp		
Höjjustering	4.6	
Klippa i backläge	4.7	
Klipplägen	5.4.5	
Efter avslutad klippning	5.4.9	
Klippråd	5.7	
Mulching-funktion	5.4.8	
Knivar		
Beskrivning	2.2-2	
Aktivering	4.8	
Demontering och slipning	6.3.1-b	
Justering av aktivering	6.3.3	
Motor		
Motorolja	6.4.1	
Oljefilter	6.4.2	
Luftfilter	6.4.3	
Bränslefilter	6.4.4	
Tändstift	6.4.5	
Mulching		
Aktiveringsreglage	4.12	
Funktion	5.4.8	
Nyckel		
Funktion	4,4	
Parkeringsbroms		
Reglagets funktion	4.5	
Ratt		
Funktion	4,1	
Rengöring		
Implementeringsprocedurer	5.4.11	
Slutningar		
Använda försiktighetsåtgärder	5.5	
Starta		
Startprocedurer	5.4.1	
Strålkastare		
Tändningskontroll	4.13-i, 4.13-i.1	
Lampbyte	6.4.8	
Säkerhet		
Allmänna föreskrifter	1.1	
Skyltar och piktogram	1.3	
Enhetens intervention	5.2	
Effektivitetskontroll	5.3.6	
Säkring		
Utbyte	6.4.9	
Säte		
Beskrivning	2.2-8	
Justeringar	5.3.1	
Tanka		
Tankningsprocedurer	5.3.3	
Tillbehörsuttag för USB-enheter		
Funktion	4.10	
Transport		
Implementeringsprocedurer	5.6	
Underhåll		
Implementeringsprocedurer	6.1 - 6.2	
Utkast		
Beskrivning	2.2-3	
Tömning	5.4.7	
Utkastskydd		
Beskrivning	2.2-5	
Montering på maskinen	5.3.5	
Varningslampor		
Funktion	4.13	

Major Honda distributor addresses Adresses des principaux concessionnaires Honda Adressen der wichtigsten Honda-Haupthändler Elenco dei maggiori distributori Honda in Europa Adressen van Honda-importeurs Direcciones de los principales concesionarios Honda Adresy hlavných obchodných zastúpení spoločnosti Honda Adresser till större Honda-återförsäljare

AUSTRIA

Honda Motor Europe Ltd
Hondastraße 1
2351 Wiener Neudorf
Tel. : +43 (0)2236 690 0
Fax : +43 (0)2236 690 480
http://www.honda.at
✉ HondaPP@honda.co.at

BALTIC STATES

(Estonia / Latvia / Lithuania)
NGC Import Baltics OU
Meistri 12
Haabersti District
13517 Tallinn
Harju County Estonia
Tel. : +372 651 7300
Fax : +372 651 7301
✉ info.baltic@ncgimport.com

BELARUS

UAB JP Motors
Montazhnikov lane 4th, 5-16
Minsk 220019
Republic of Belarus
Tel. : +375172349999
Fax : +375172380404
✉ honda@jpmotors.lt

BELGIUM

Honda Motor Europe Ltd
Doomveld 180-184
1731 Zellik
Tel. : +32 2620 10 00
Fax : +32 2620 10 01
http://www.honda.be
✉ bh_pe@honda-eu.com

BULGARIA

Premium Motor Ltd
Andrey Lyapchev Blvd no 34
1797 Sofia
Bulgaria
Tel. : +3592 423 5879
Fax : +3592 423 5879
http://www.hondamotor.bg
✉ office@hondamotor.bg

CROATIA

Hongoldonia d.o.o.
Vukovarska ulica 432a
31000 Osijek, HR
Tel. : +38531320420
Fax : +38531320429
http://www.hongoldonia.hr
✉ prodaja@hongoldonia.hr

CYPRUS

Demstar Automotive Ltd
Mihail Giorgalla 14
2409 Engomi
Nicosia
Cyprus
Tel. : +357 22 792 600
Fax : +357 22 430 313

CZECH REPUBLIC

BG Technik cs, a.s.
U Zavodiste 251/8
15900 Prague 5 - Velka
Chuchle
Tel. : +420 2 838 70 850
Fax : +420 2 667 111 45
http://www.honda-stroje.cz

DENMARK

Tima A/S
Ryttermarken 10
DK-3520 Farum
Tel. : +45 36 34 25 50
Fax : +45 36 77 16 30
http://www.tima.dk

FINLAND

OY Brandt AB.
Tuupakantie 7B
01740 Vantaa
Tel. : +358 207757200
Fax : +358 9 878 5276
http://www.brandt.fi

FRANCE

Honda Motor Europe Ltd
Division Produit d'Equipeement
Parc d'activités de Pariest
Allée du 1er mai
Croissy Beaubourg BP46, 77312
Marne La Vallée Cedex 2
Tél. 01 60 37 30 00
Fax. 01 60 37 30 86
http://www.honda.fr
✉ espace-client@honda-eu.com

GERMANY

Honda Deutschland
Niederlassung der Honda Motor
Europe Ltd.
Hanauer Landstraße 222-224
D-60314 Frankfurt
Tel. : 01805 20 20 90
Fax : +49 (0)69 83 20 20
http://www.honda.de
✉ info@post.honda.de

GREECE

Saracakis Brothers S.A.
71 Leoforos Athinon
10173 Athens
Tel. : +30 210 3497809
Fax : +30 210 3467329
http://www.honda.gr
✉ info@sarakakis.gr

HUNGARY

MPMotor Co., Ltd.
Kamaraerdei ut 3.
2040 Budaors
Tel. : +36 23 444 971
Fax : +36 23 444 972
http://www.hondakisgepek.hu
✉ info@hondakisgepek.hu

IRELAND

Two Wheels Ltd.
M50 Business Park, Ballymount
Dublin 12
Tel. : +353 1 4381900
Fax : +353 1 4607851
http://www.hondaireland.ie
✉ sales@hondaireland.ie

ISRAEL

Mayer's Cars and Trucks Co.Ltd.
- Honda Division
Shevach 5, Tel Aviv, 6777936
Israel
+972-3-6953162
✉ OrenBe@mct.co.il

ITALY

Honda Motore Europe Ltd
Via della Cecchignola, 13
00143 Roma
Tel. : +848 846 632
Fax : +39 065 4928 400
http://www.hondaitalia.com
✉ info.power@honda-eu.com

MACEDONIA

Makpetrol A.D. Honda Centar
Bul.sv Kiril & Metodij br. 4
1000, Skopje
Republic of Macedonia
✉ aleksandar.stanojlovic@
makpetrol.com.mk

MALTA

The Associated Motors
Company Ltd.
New Street in San Gwakklin Road
Mriehel Bypass, Mriehel QRM17
Tel. : +356 21 498 561
Fax : +356 21 480 150
✉ mgalea@gasanzammit.com

NORWAY

Berema AS
P.O. Box 454 1401 Ski
Tel. : +47 64 86 05 00
Fax : +47 64 86 05 49
http://www.berema.no
✉ berema@berema.no

POLAND

Aries Power Equipment
Pulawska 467
02-844 Warszawa
Tel. : +48 (22) 861 4301
Fax : +48 (22) 861 4302
http://www.ariespower.pl
http://www.mojahonda.pl
✉ info@ariespower.pl

PORTUGAL

GROW Produtos de Forca
Portugal
Rua Fontes Pereira de Melo 16
Abrunheira, 2714-506 Sintra
Tel. : +351 211 303 000
Fax : +351 211 303 003
http://www.gorw.com.pt
✉ geral@grow.com.pt

REPUBLIC OF BELARUS

Scanlink Ltd.
Kozlova Drive, 9
220037 Minsk
Tel. : +375 172 999090
Fax : +375 172 999900
www.hondapower.by

ROMANIA

Hit Power Motor SRL
Intr Gheorghe Simionescu Nr 4
Sector 1
Bucharest 1
Romania
Tel. : (+4) 0371 201 040
✉ office@honda.ro

ROMANIA

Agrisorg SRL
Sacadat Str Principala
Nr 444/A Jud. Bihor
Oradea
Romania
Tel. : (+4) 0259 458 336
✉ info@agrisorg.com

SERBIA & MONTENEGRO

ITH Trading Co Doo
Majke Jevrosme 26
1100 Beograd
Serbia
Tel. : +381 11 3240627
Fax : +381 11 3240627
http://www.hondasrbija.co.rs
✉ sstevanovic@ithtrading.co.rs

SLOVAK REPUBLIC

Honda Motor Europe Ltd
Slovensko, organizačná zložka
Prievozská 6 - 821 09 Bratislava
Tel. : +421 2 32131111
Fax : +421 2 32131112
http://www.honda.sk

SLOVENIA

AS Domzale Moto Center D.O.O.
Blatnica 3A
1236 Trzin
Tel. : + 386 1 562 3700
Fax : + 386 1 562 3705
http://www.honda-as.com
✉ infomacije@honda-as.com

SPAIN & all provinces

Greens Power Products, S.L.
Poligono Industrial Congost
Av. Ramon Ciurans n°2
08530 La Garriga - Barcelona
Tel. : +34 93 860 50 25
Fax : +34 93 871 81 80
http://www.hondaencasa.com

SWEDEN

Honda Motor Europe Ltd
filial Sverige
Box 31002-Långhusgatan 4
215 86 Malmö
Tel. : +46 (0) 40 600 23 00
Fax : +46 (0) 40 600 23 19
http://www.honda.se
✉ hpesinfo@honda-eu.com

SWITZERLAND

Honda Motor Europe Ltd,
Succursale de Satigny/Genève
Rue de la Bergère 5
1242 Satigny
Tel.: +41 (0)22 989 05 00
Fax: +41 (0)22 989 06 60
http://www.honda.ch

TURKEY

Anadol Motor Uretim Ve
Pazarlama AS
Sekerpinar Mah
Albayrak Sok No 4
Cayirova 41420
Kocaeli
Tel. : +90 262 999 23 00
Fax : +90 262 658 94 17
http://www.anadolomotor.com.tr
✉ antor@antor.com.tr

UKRAINE

Dnipro Motor LLC
3, Bondarsky Alley,
Kyiv, 04073, Ukraine
Tel. : +380 44 537 25 76
Fax. : +380 44 501 54 27
✉ igor.lobunets@honda.ua

UNITED KINGDOM

Honda Motor Europe Ltd
Cain Road
Bracknell
Berkshire
RG12 1 HL
Tel.: +44 (0)845 200 8000
http://www.honda.co.uk

EC Declaration of Conformity

1. The undersigned, *2, representing the manufacturer, herewith declares that the machinery described below fulfils all the relevant provisions of:

- Directive 2006/42/EC on machinery
- Directive 2014/30/EU on electromagnetic compatibility
- Directive 2000/14/EC – 2005/88/EC on outdoor noise
- Directive 2011/65/EU - (EU) 2015/863 on the restriction of the use of certain hazardous substances in electrical and electronic equipment

2. Description of the machinery

- a) Product: Ride-on lawnmower with seated operator
- b) Function: Cutting of grass

c) Model	d) Type	e) Serial number
*1	*1	

3. Manufacturer and able to compile the technical documentation

Honda France Manufacturing S.A.S.
Pôle 45 – Rue des Châtaigniers
45140 ORMES - FRANCE

4. Reference to applied standards
EN ISO 14982: 2009
EN ISO 5395-1: 2013+A1:2018
EN ISO 5395-3: 2013+A1:2017+A2:2018

5. Outdoor noise Directive

- a) Measured sound power dB(A): *1
- b) Guaranteed sound power dB(A): *1
- c) Noise parameter (cm, min-1): *1
- d) Conformity assessment procedure: *2
- e) Notified body: *2

6. Done at: ORMES – FRANCE
7. Date: *2

*2
President
Honda France Manufacturing S.A.S.

Français. (French)
Déclaration CE de Conformité
1. Le soussigné, *2, représentant du constructeur, déclare que la machine décrit ci-dessous répond à toutes les dispositions applicables de:
* Directive 2006/42/CE sur les machines
* Directive 2014/30/UE en lien avec la compatibilité électromagnétique
* Directive 2000/14/CE – 2005/88/CE des émissions sonores dans l'environnement des matériels destinés à être utilisés à l'extérieur des bâtiments
* Directive 2011/65/UE - (UE) 2015/863 relative à la limitation de l'utilisation de certaines substances dangereuses dans les équipements électriques et électroniques
2. Description de la machine
a) Produit: Tondeuse à gazon à conducteur assis
b) Fonction: couper de l'herbe (tondre)
c) Modèle d) Type e) Numéro de série
3. Constructeur et en charge des éditions de documentation techniques
4. Référence aux normes appliquées
5. Directive de l'émission appliquée dans l'environnement des matériels destinés à être utilisés à l'extérieur des bâtiments
a) Puissance acoustique mesurée
b) Puissance acoustique garantie
c) Paramètre du bruit
d) Procédure d'évaluation de conformité
e) Organisme notifié
7. Date
6. Fait à

Nederlands (Dutch)
EG-verklaring van overeenstemming
1. Ondergetekende, *2, vertegenwoordiger van de constructeur, verklaart hiermee dat het hieronder beschreven machine voldoet aan alle toepasselijke bepalingen van:
* Richtlijn 2006/42/EG betreffende machines
* Richtlijn 2014/30/EU betreffende machines
* Richtlijn 2000/14/EG – 2005/88/EG betreffende geluidsemissie (openlucht)
* Richtlijn 2011/65/UE - (EU) 2015/863 betreffende beperking van het gebruik van bepaalde gevaarlijke stoffen in elektrische en elektronische apparatuur
2. Beschrijving van de machine
a) Product: Grasmaaiër met zitplaats voor een zittende gebruiker
b) Functie: gras maaien
c) Model d) Type e) Serienummer
3. Fabrikant en in staat om de technische documentatie samen te stellen
4. Referentie naar toegepaste normen
5. Geluidsemissierichtlijn (openlucht)
a) Gemeten geluidsvermogensniveau
b) Gevaarborgt geluidsvermogensniveau
c) Geluidsparameter
d) Conformiteitsbeoordelingsprocedure
e) Aangemelde instantie
7. Datum
6. Plaats

Italiano (Italian)
Dichiarazione CE di Conformità
1. Il sottoscritto, *2, in rappresentanza del costruttore, dichiara qui di seguito che la macchina sotto descritta soddisfa tutte le disposizioni pertinenti di:
* Direttiva 2006/42/CE sulle macchine
* Direttiva 2014/30/UE sulla compatibilità elettromagnetica
* Direttiva sulla emissione acustica delle macchine e attrezzature destinate a funzionare all'aperto
2000/14/CE – 2005/88/CE
* Direttiva 2011/65/UE - (UE) 2015/863 sulla restrizione dell'uso di determinate sostanze pericolose nelle apparecchiature elettriche ed elettroniche
2. Descrizione della macchina
a) Prodotto: Trattorio tosaerba con operatore seduto
b) Funzione: Taglio di erba
c) Modello d) Tipo e) Numero di serie
3. Produttore e responsabile per la compilazione della documentazione tecnica
4. Riferimento alle norme applicate
5. Direttiva sulla emissione acustica delle macchine e attrezzature destinate a funzionare all'aperto
a) Livello di potenza sonora misurato
b) Livello di potenza sonora garantito
c) Parametri emissione acustica
d) Procedura di valutazione della conformità
e) Organismo notificato
7. Data
6. Fatto a

Dansk (Danish)
EU OVERENSTEMMELSEERKLÆRING
1. UNDERTEGNEDE, *2, SOM REPRÆSENTANTER FOR PRODUCENTEN, ERKJÆNDER HERMED AT MASKINEN SØJNER DESKREVNE NEDERFOR I FØLGE:
* MASKINDIREKTIV 2006/42/EF
* Direktiv 2014/30/EU om elektromagnetisk kompatibilitet
* DIREKTIV OM STØJEMMISSION 2000/14/EF – 2005/88/EF
* direktiv 2011/65/UE - (EU) 2015/863 om begrænsning af anvendelsen af visse farlige stoffer i elektrisk og elektronisk udstyr
2. BESKRIVELSE AF PRODUKTET
a) Produkt: Plænetraktor
b) ANVENDELSE: Græsklipning
c) Model d) TYPE e) SERIENUMMER
3. KARAKTERISERENDE UDSAGNINGER OM UDARBEJDEDE DELE
4. HENVISNING TIL ANVENDTE STANDARDER
5. DIREKTIV OM STØJEMMISSION FRA MASKINER TIL UDENDØRS BRUG
a) MÅLT LYDEFFEKTIVEAU
b) GARANTERET LYDEFFEKTIVEAU
c) STØJPARAMETER
d) PROCEDURE FOR OVERENSTEMMELSESVURDERING
e) BEMYNDIGET ORGAN
7. DATO
6. STED

Deutsch (German)
EG-Konformitätserklärung
1. Der Unterzeichner, *2, der den Hersteller vertritt, erklärt hiermit dass das hierunter genannte Maschine allen einschlägigen Bestimmungen der * Richtlinie 2006/42/EG
* Richtlinie 2014/30/EU über die elektromagnetische Verträglichkeit
* Geräuschrichtlinie im Freien 2000/14/EG – 2005/88/EG
* Richtlinie 2011/65/UE - (EU) 2015/863 zur Beschränkung der Verwendung bestimmter gefährlicher Stoffe in Elektro- und Elektronikgeräten
2. Beschreibung der Maschine
a) Produkt: Rasenmäher mit Fahrersitz mit sitzendem Benutzer
b) Funktion: Gras schneiden
c) Modell d) Typ e) Seriennummer
3. Hersteller und in der Position, die technische Dokumentation zu erstellen
4. Referenz auf die anzuwendenden Standards
5. Geräuschrichtlinie im Freien
a) Gemessene Lautstärke
b) Schalleistungsepegel
c) Schalleistungsepegel
d) Konformitätsbewertungsablauf
e) Benannte Stelle
7. Datum
6. Ort

Ελληνικά (Greek)
ΕΚ-Δήλωση Συμμόρφωσης
1. Ο κάτωθι υπογεγραμμένος, *2, εκπροσωπώντας τον κατασκευαστή, δηλώνω ότι το παρακάτω περιγραφόμενο όχημα πληροί όλες τις σχετικές προδιαγραφές του:
* Οδηγία 2006/42/ΕΕ σχετικά με την ασφάλεια των μηχανών
* Οδηγία 2014/30/ΕΕ σχετικά με την ηλεκτρομαγνητική συμβατότητα
* Οδηγία 2011/65/ΕΕ (ΕΕ) 2015/863 για τον περιορισμό της χρήσης ορισμένων επικίνδυνων ουσιών σε ηλεκτρικά και ηλεκτρονικά εξοπλισμού
2. Περιγραφή μηχανήματος
a) Τύπος: Χάσοκμητικό με χειριστή καθήμενο σε αυτό
b) Λειτουργία: για κόψιμο γρασίδιου
c) Μοντέλο d) Τύπος e) Αριθμός σειράς παραγωγής
3. Κατασκευαστής και να είναι σε θέση να καταρτίσει τον τεχνικό φάκελο
4. Παραπομπή στα ισχύοντα πρότυπα στα οποία αναφέρεται η οδηγία σχετικά με τον ήχο
a) Μετρημένο επίπεδο ήχου
b) Εγγυημένο επίπεδο ήχου
c) Ηχηρή απόδοση
d) Διαδικασία πιστοποίησης
e) Οργανισμός πιστοποίησης
7. Ημερομηνία
6. Η Θέση/η έργο



HONDA