

Jøtul C 620

Jøtul C 620
Manual Version P04

UK - Installation and Operating Instructions	3
FR - Manuel d'installation et d'utilisation	24
IT - Manuale di installazione ed uso	45
ES - Instrucciones para montaje e instalación	67



Monterings- og bruksanvisningen må oppbevares under hele produktets levetid. These instructions must be kept for future references. Wir empfehlen Ihnen, die Montage- und Bedienungsanleitung für spätere Zwecke sorgfältig aufzubewahren. Ce document doit être conservé pendant toute la vie de l'appareil.



Requirements / Exigences / Requisitos / Requisiti / Vereisten / Forderungen	
Supplier / Fabricante / Fornitore / Vereisten / Lieferant:	Jøtul AS
Product models Produits concernés Modelos Modelli Product modellen Varianten der Feuerstelle	Jøtul C 620
Energy efficiency class / Classe énergétique / Clase de eficiencia energética / Classe energetica / Energie efficiëncy klasse / Energieeffizienz-Klasse	A
Direct heat output / Puissance réelle de sortie / Potencia calorífica emitida / Emissione di calore diretta / Directe warmte afgifte / Nennwärmeleistung	8,0 kW
Energy efficiency index / Index de rendement énergétique/ Índice de eficiencia energética / Indice di efficienza energetica / Energie efficiëncy index / Energieeffizienz-Index	103,1
Efficiency at nominal heat output / Rendement à puissance nominale / Eficiencia al rendimiento nominal / Efficienza alla potenza nominale / Efficiency bij nominale warmte afgifte / Wirkungsgrad bei Nennheizleistung	78 %
<ul style="list-style-type: none"> Any specific precautions that shall be taken when the local space heater is assembled installed or maintained. Toutes les précautions spécifiques doivent être prises lors de l'assemblage, l'installation ou l'entretien de l'appareil. Cualquier precaución específica que deba tenerse en cuenta durante el montaje, instalación o mantenimiento del equipo de calefacción Precauzioni specifiche da prendere quando il riscaldatore viene assemblato, installato o mantenuto in uno spazio. Eventuele specifieke voorzorgsmaatregelen die worden genomen wanneer de plaatselijke ruimteverwarming wordt gemonteerd, geïnstalleerd of onderhouden. Besondere Maßnahmen bei Montierung, Installation und Wartung. 	<ul style="list-style-type: none"> Fire safety precautions such as safety distances when installing, national standards, local codes and regulations. See the Instructions manual. Les précautions d'incendie telles que les distances de sécurité lors de l'installation, le suivi des normes, les codes locaux et les réglementations nationales. Veuillez lire le manuel d'installation. Precauciones frente a incendios como distancia de seguridad en la instalación, estándares nacionales, códigos locales y reglamentos. Lea el manual de instalación. Precauzioni per la sicurezza antincendio come le distanze di sicurezza durante l'installazione, le normative nazionali e locali. Leggere il manual. Brandveiligheidsmaatregelen, zoals veiligheidsafstanden bij installatie, nationale normen, lokale codes en voorschriften. Lees de installatiehandleiding. Für brenntechnische Verhältnisse, wie z.B. Aufstellbedingungen und nationale Forderungen. Siehe die Montage- und Bedienungsanleitung.

Table of contents

1.0 Regulatory information.....	3
2.0 Technical data	3
3.0 Safety	6
4.0 Installation	7
5.0 Daily use	17
6.0 Maintenance	18
7.0 Service	19
8.0 Operational problems - troubleshooting	21
9.0 Optional extras	22
10.0 Recycling	22
11.0 Guarantee terms	22

Register your fireplace at jotul.com for a 25-year warranty.

Product: Jøtul Room heater fired by solid fuel			
		CE	
Standard Minimum distance to adjacent combustible materials: Minimum distance to adjacent non-combustible materials: Emission of CO in combustion products Flue gas temperature Nominal heat output Efficiency Operation range Fuel type Operational type The appliance can be used in a shared flue.			
Country	Classification	Certificate/standard	Approved by
Norway	Klasse II		
Sweden	occ	SP	SP Sveriges Provnings- och Forskningsinstitut AB
EUR	Intermittent	EN	SP Swedish National Testing and Research Institute
Follow user's instructions. Use only recommended fuels. Montage- und Bedienungsanleitung beachten. Nærvareren for tryk anbefalene brændstoffer. Respectez les consignes d'utilisation. Utilisez uniquement les combustibles recommandés.			
Lot nr: F-xxxx, Year: 200x			
Manufacturer: Jøtul AS POB 1441 N-1602 Fredrikstad Norway		221546	

On all our products there is a label indicating the serial number and year. Write this number in the place indicated in the installation instructions.

Always quote this serial number when contacting your retailer or Jøtul.

Lot no. Pin.

1.0 Regulatory information

Installation of a fireplace must be according to local codes and regulations in each country.

All local regulations, including those that refer to national and European standards, shall be complied with when installing the product.

Both an installation manual with technical data and a general user and maintenance manual accompany the product. The installation can only be taken into use after it has been checked by a qualified inspector.

An approval label made of heat resistant material is located on the heat shield at the back of the product. This contains information about identification and documentation for the product.

2.0 Technical data

Material:	Cast iron
Finish:	Black paint
Type of fuel:	Wood
Smoke outlet:	Top
Flue pipe dimension:	Ø 150 mm/177 cm ² cross section
Outside air connector:	Flexible aluminium pipe Ø100 mm
2 connectors for hot air outlet:	Flexible aluminium pipe Ø 150 mm
Weight:	Approx. 172 kg
Options:	Wide and narrow frame
Optional extras:	Fan, outside air connection kit Ø 100 mm, Adaptor for flue pipe, Door lock complete - left.
Product dimensions, distances:	See Fig. 1

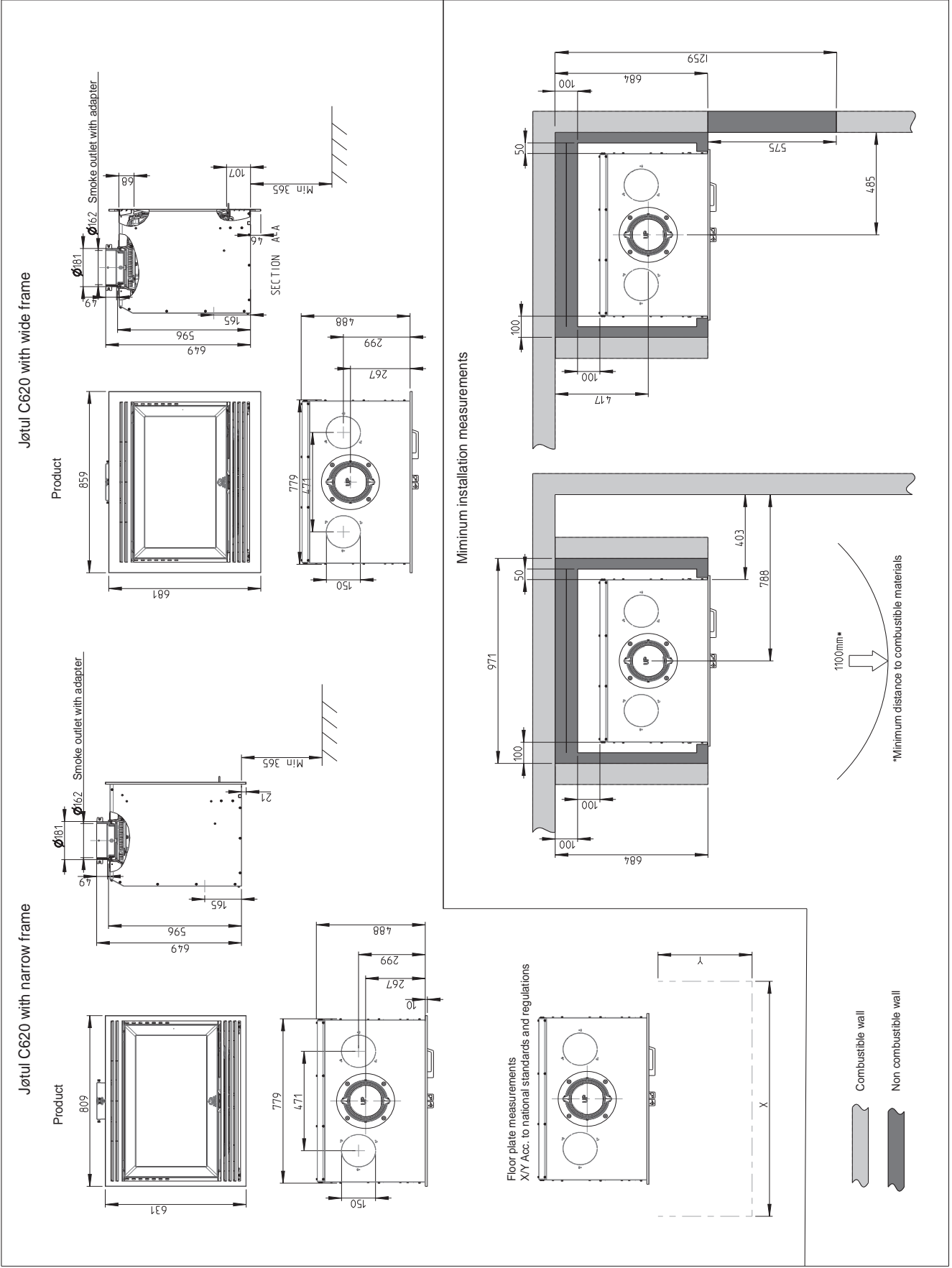
Technical data in accordance with EN 13229

Nominal heat output:	8 kW
Flue gas volume:	7,9 g/s
Chimney draught, EN 13229:	12 Pa
Recommended negative pressure in smoke outlet:	14-16 Pa
Efficiency:	78% @ 8 kW
CO emissions (13% O ₂):	0.052%
CO emissions (13% O ₂):	653 mg / Nm ³
NOx at 13% O ₂ :	92 mg / Nm ³
OGC @ 13 % O ₂ :	36 mg/Nm ³
Nominal air consumption:	24 m ³ /h
Chimney temperature, EN 13229:	269 °C
Dust:	11 mg/Nm ³ @ 13% O ₂
Type of fuel:	Wood
Recommended log length:	30-60 cm
Max. log length:	60 cm
Fuel consumption:	2,46 kg/h
Max. kindling amount:	3,5 kg
Nominal kindling amount:	1,8-1,9 kg
Operation:	Intermittent

"Intermittent combustion" here means normal use of a stove. That is to say, if you want to continue producing heat, you add more fuel as soon as the previous load of wood has burnt down to embers.

Fig. 1a

Jøtul C620



Jøtul C620

Fig. 1b

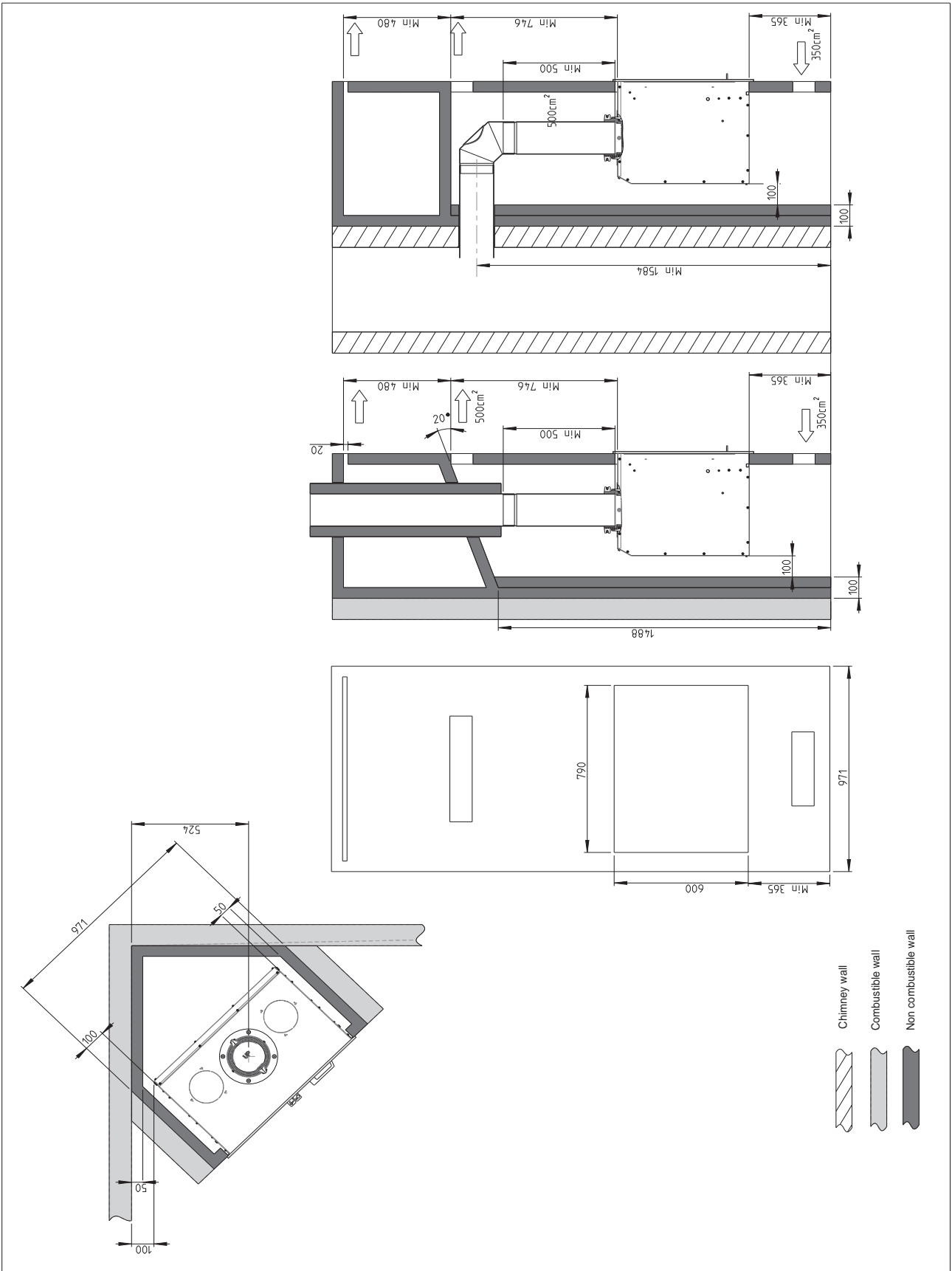


Fig. 1b

ENGLISH

3.0 Safety

NB! To guarantee optimal performance and safety, Jøtul recommends that its stoves are fitted by a qualified installer (see www.jotul.com for a complete list of dealers).

Any modifications to the product by the distributor, installer or consumer may result in the product and safety features not functioning as intended. The same applies to the installation of accessories or optional extras not supplied by Jøtul. This may also be the case if parts that are essential to the functioning and safety of the fireplace have been disassembled or removed.

In all these cases, the manufacturer is not responsible or liable for the product and the right to make a complaint becomes null and void.

Keep the door closed during use (the product is not approved for use with open door)

3.1 Fire Prevention Measures

There is a certain element of danger every time you use your fireplace. The following instructions must therefore be followed:

- The minimum safety distances when installing and using the fireplace are given in **fig. 1**. The specified distance to flammable materials, applies to this stove. The stove must be installed with a CE approved flue. The distance of the flue pipe to combustible materials must also be observed.
- Ensure that furniture and other flammable materials are not too close to the fireplace. Flammable materials should not be placed within 1100 mm of the fireplace.
- Allow the fire to burn out. Never extinguish the flames with water.
- The fireplace becomes hot when lit and may cause burns if touched.
- Only remove ash when the fireplace is cold. Ash can contain hot embers and should therefore be placed in a non-flammable container.
- Ash should be placed outdoors or be emptied in a place where it will not present a potential fire hazard.

In case of chimney fire:

- Close all hatches and vents.
- Keep the firebox door closed.
- Call the fire service.
- Before use after a fire an expert must check the fireplace and the chimney in order to ensure that it is fully functional

3.2 Floor

Foundation

You need to make sure the foundation is suitable for a fireplace. See **"2.0 Technical Data"** for specified weight.

We recommend the removal of any flooring that is not attached to the foundation ("floating floors") beneath the installation.

Jøtul recommends that any flooring made of combustible material, such as linoleum, carpets, etc. should be removed from under the floor plate.

Requirements for protection of wooden flooring beneath the fireplace

The floor beneath the fireplace must be protected by a sheet of metal or other non-inflammable material. The recommended minimum thickness is 0.9 mm. The floor plate must comply with national laws and regulations. Distance between floor and cassette must be a minimum of 365 mm (see fig. 1)

Requirements for protection of inflammable floors in front of the fireplace

The floor in front of the fireplace must be protected by a sheet of metal or other non-inflammable material. The recommended minimum thickness is 0.9 mm. The floor plate must comply with national laws and regulations.

Contact your local building authorities regarding restrictions and installation requirements.

3.3 Walls

- The product should be placed so that it is possible to clean the stove, flue pipe and chimney outlet.
- Make sure furniture and other combustible materials do not get too close to the stove, see safety distances in fig.1. This will also prevent them from drying out.

Distance to walls made of combustible material - see **fig. 1a**
The stove must be installed with a CE approved flue pipe. European, national and local regulations must be observed with regard to the safety distances for stoves as well as flue pipes and chimneys. Please note that CE marked flue pipes may have a greater distance to combustible materials, than the stove.

Distance to combustible wall protected by insulation

Distance to combustible wall protected by firewall/insulation: See **fig. 1**.

3.4 Ceiling

The fireplace can be fitted with the top edge of the hot air opening of the surround at least 480 mm below a ceiling of inflammable material. See Fig. 1b. Ensure there is adequate ventilation in the top of the cowl – e.g. a gap under the ceiling.

4.0 Installation

The Jøtul C 620 is a cassette stove that is designed to fit inside an existing fireplace hearth. This requires a minimum hearth opening of HxWxD = 590x780x490 mm. NB! You must allow space between the cassette and the masonry for thermal expansion of the cassette stove.

The product also fits inside a new fireplace surround (Fig. 1). The fireplace surround must have a minimum opening of HxWxD = 600x790x584 mm. It is also important to allow space for insulation around the surround. If using a wide frame (optional extra), it will overlap openings to HxW = 681x859 mm.

4.1 Insulation requirements

Insulation requirements

When installing the insert in a home-built surround with combustible walls protected by insulating material, the following types and thicknesses of insulation can be used:

- 50 mm Jøtul JGFW-5 fireproof board (specific thermal conductivity = λ value = 0.06 W/mK)
- 50 mm Rockwool Fire Protective Bats (λ value = 0.046 W/mK)
- 150 mm Siporex (λ value = 0.144 W/mK).

Other materials may be used. The insulation properties must then always be equal to or exceed the thermal resistance* (R) requirements for the 50 mm Jøtul JGFW-5.

* *Thermal resistance (R) is an indication of how well a material insulates with respect to its thickness. Thermal resistance (R) is calculated as the thickness (d) of the material divided by the thermal conductivity of the material. $R = d/\lambda$ value.*

The thermal resistance (R) for the Jøtul JGFW-5 is 0.83 m²*K/W.

4.2 Outside air connection

The air used for combustion in any well-insulated house needs to be replaced. This is particularly important in houses with mechanical ventilation. Such replacement air can be procured in several ways. The most important thing is to supply the air to the room where the stove is placed. Place the outside wall valve as close to the stove as possible and make sure that it can be closed when the stove is not in use.

For the fresh air supply connection, follow the national and local building regulations.

Important! Ensure that air vents in the room where the fireplace is located are not blocked.

Closed combustion system

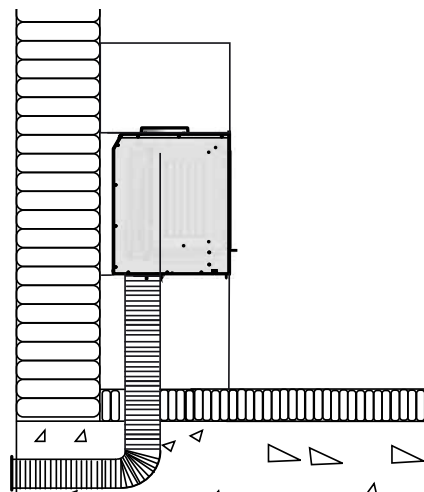
Use the stove's closed combustion system if you live in recently built, airtight dwellings. Connect the external combustion air through a ventilation pipe through the wall or the floor.

Air supply

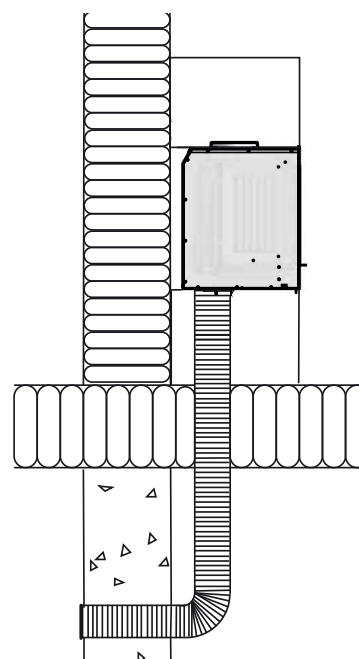
The amount of combustion air for Jøtul's products is approximately 20-40 m³/h. The outside air connection may be fitted directly to the Jøtul C620 through:

- the bottom
- the rear

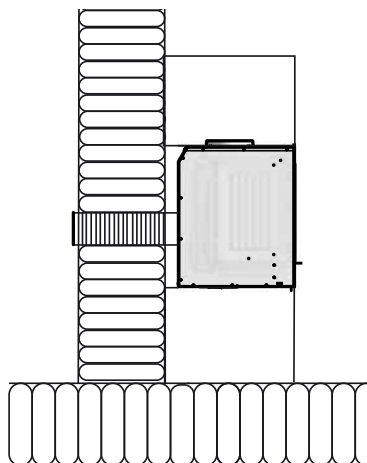
Through the floor and ground plate



Through the floor and basement



Through an outside wall



4.3 Air circulation

If installing in a new fireplace surround, air must be able to circulate between the cassette and the masonry.

Min. circulation air:

Base: 350 cm² free opening.

Top: 500 cm² free opening.

This is a safety measure to ensure that the build-up of heat inside the fireplace surround does not become too great and that the output of heat to the room is adequate.

The opening must be placed at the top of the surround.

4.4 Hot air distribution / fan

One or two ducts with an internal diameter of 150 mm can be connected to distribute the heated air from the cassette. Hot air ducts must be made of a heat-resistant, non-combustible material, for example, flexible aluminium ducts. These can become very hot and it is important that they do not come into contact with any combustible material. Two connectors for the ducts are included with the product (ducts are not included). The problem of paint changing colour just above the cassette is reduced by the use of hot air ducts. See Chapter 7 for installation instructions.

A fan (optional extra) can be fitted inside the product to increase hot air distribution. This can be fitted regardless of whether ducts for hot air distribution have been installed or not. See the instruction manual for fan installation (included with the fan).

4.5 Chimney and flue pipe

- **The fireplace must be fitted with an uninsulated fluepipe with a minimum height of 500 mm.**
- The cross-section of the chimney must be at least that of the flue pipe. Use «2.0 Technical Data» to calculate the correct chimney cross-section. NB! **The minimum recommended chimney length is 3.5 m.**
- The fireplace can be connected to chimneys and flue pipes approved for solid fuel fireplaces with flue gas temperatures as specified in «2.0 Technical Data».
- For recommended chimney draught, see «2.0 Technical Data». If the draught is too strong, action must be taken, e.g. install and operate a flue pipe damper in order to reduce the draught. If a flue damper is fitted it shall be of a type,

which does not block the flue totally. The damper shall be easy to operate and incorporate an aperture within the blade, which in a continuous area occupies at least 20 cm² or 3 % of the cross-sectional area of the blade if this is greater. The position of the damper shall be recognizable from the setting of the device.

- The chimney and sweeping hatch must be inspected to ensure they are tightly sealed to prevent leakage. If there is a leak, less air will be pulled through the stove. Your local fire safety office can carry out an inspection of the chimney.
- The chimney must be connected in accordance with the installation instructions of the chimney supplier.
- Before a hole is made in the chimney, the fireplace should be test-mounted in order to correctly mark the position of the fireplace and the hole in the chimney. See Fig. 1 for minimum dimensions.
- It is extremely important for connections to have a degree of flexibility. This is to prevent any movement in the installation leading to the formation of cracks.
- It is important for the joints/flue pipes to be sealed completely. Air leakage may cause malfunction.
- A flue gas bend that alters the direction of the flue gas by more than 45° must be fitted with a sweeping hatch. Note that it is possible to sweep from the inside of the burn chamber.
- NB: A correct and airtight connection is extremely important for the function of the product.
- Weight must not be transferred from the fireplace structure to the chimney. The fireplace structure must not hinder the chimney's ability to move, and must not be anchored to the chimney.

4.6 Before installation

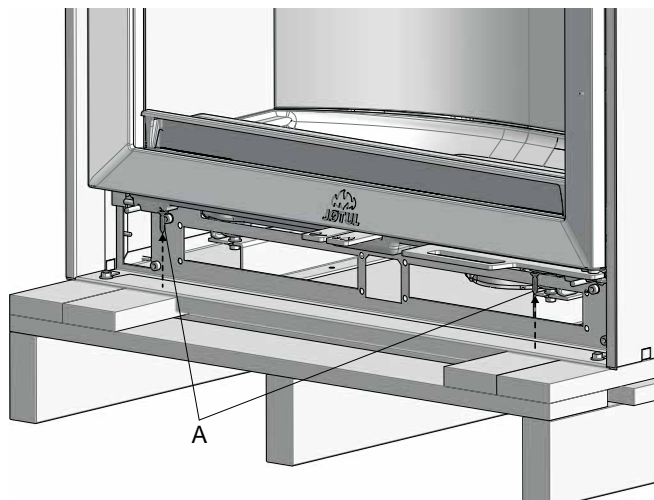
Make sure that the Jøtul C620 fits inside the hearth or surround, Fig. 1 shows the minimum dimensions. You must allow space between the cassette and the masonry for thermal expansion of the cassette stove. The hearth must be cleaned thoroughly before installation. It is important to remove old soot and tar that has collected in the hearth to prevent an unpleasant smell in the room. Use a suitable detergent.

The product is heavy! Ensure you have help when positioning and installing it.

The standard product comes in three packages.

- When the product is unpacked, remove the bag of screws and the box with the outside air connector, 2 hot air outlet connectors and the oven glove from the burn chamber.
- Also remove the fire grate and a wooden block (used for transportation) just below the product's smoke outlet.
- Check the product for signs of damage and make sure that the control handles work.

Fig. 3



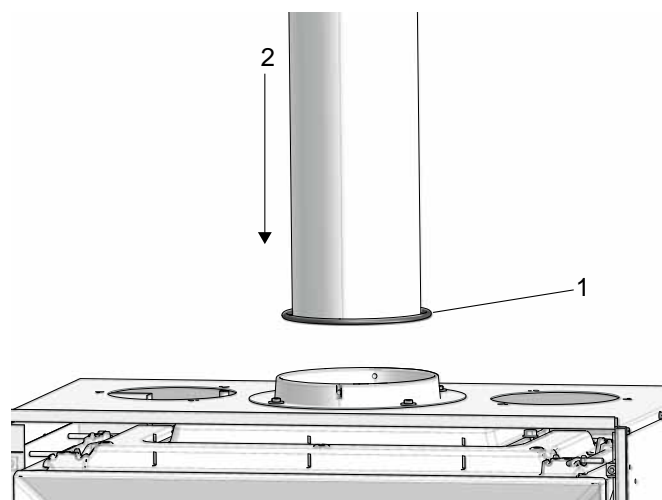
1. Remove the screws (A) that secure the cassette to the pallet.

4.7 Installation

When loosened from the pallet, the cassette is now ready to be installed in a suitable surround.

If no outside air connection is needed, and there is easy access in the surround above the cassette, the cassette can be placed into the surround. Install the flue pipe with or without adaptor (fig 4/5), and then install the cassette in the surround (fig 13b+15).

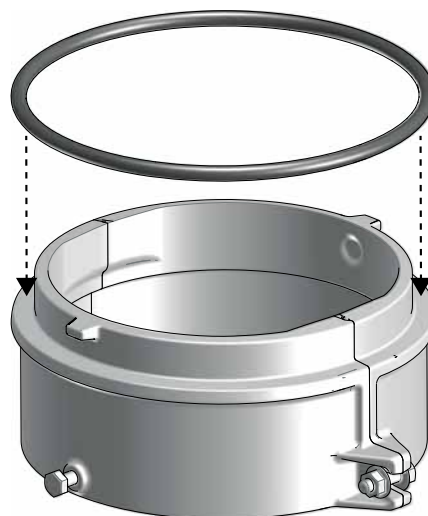
Fig. 4



1. Pull off the protective paper from the supplied gasket and attach it to the bottom of the flue pipe, folding both inwards and outwards around the pipe.
2. Insert the flue pipe into the smoke outlet.

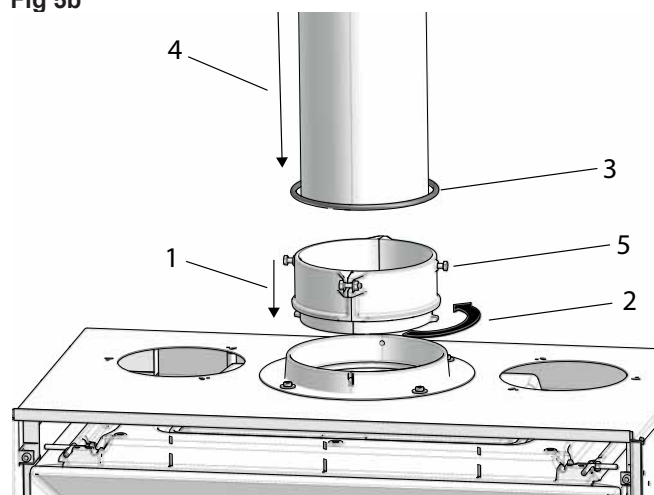
Assemble flue pipe with adaptor (Ø150)

Fig. 5a



1. Pull off the protective paper from the supplied gasket and attach it to the bottom of the adaptor. The gasket should follow the outer edge.

Fig 5b



1. Place the adaptor into the smoke outlet.
2. Turn the adaptor until it is firmly attached in the smoke outlet.
3. Pull off the protective paper from the supplied gasket and attach it to the bottom of the flue pipe, folding both inwards and outwards around the pipe.
4. Insert the flue pipe into the adaptor.
5. Tighten the screws on both sides of the adaptor.

The product can now be installed in the surround, with a narrow or wide frame (see fig 13b and 15).

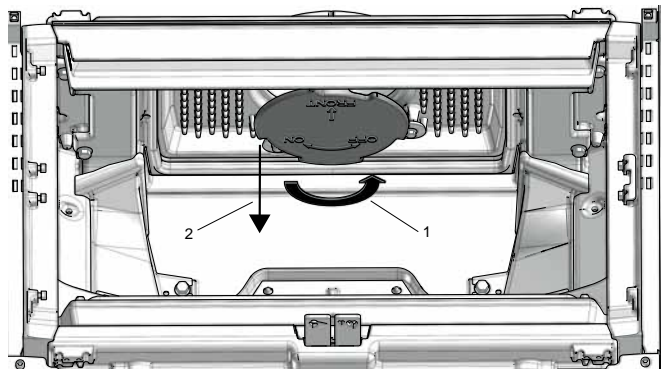
Installation with limited access inside the surround

If there is limited access above the product in the surround during assembly, the smoke outlet can be installed from inside the burn chamber. The adaptor is then attached to the flue pipe in the surround, and later attached to the burn chamber from the inside, when the cassette is in place.

Start by removing the baffle plate and exhaust deflector (see fig 37-39).

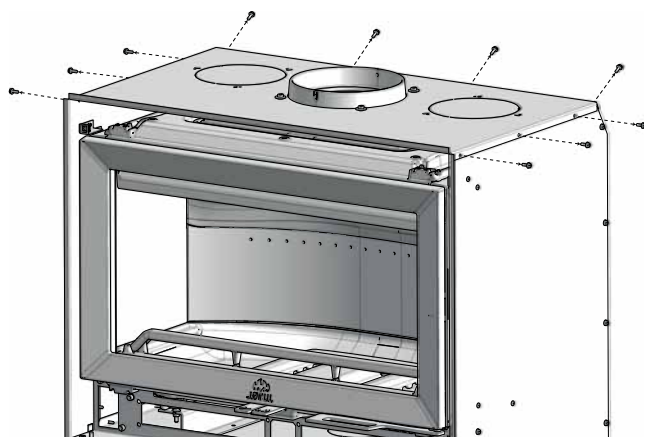
ENGLISH

Fig. 6



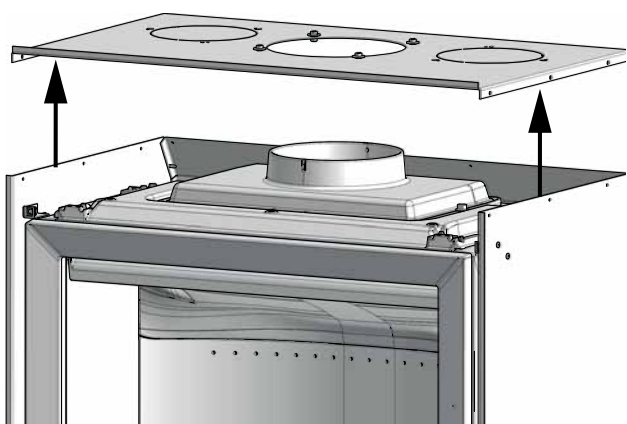
1. Lift and turn the upper exhaust deflector in the direction of the arrow to loosen it.
2. Remove the upper exhaust deflector.
3. When refitting, follow the same procedure in reverse order.

Fig. 7a



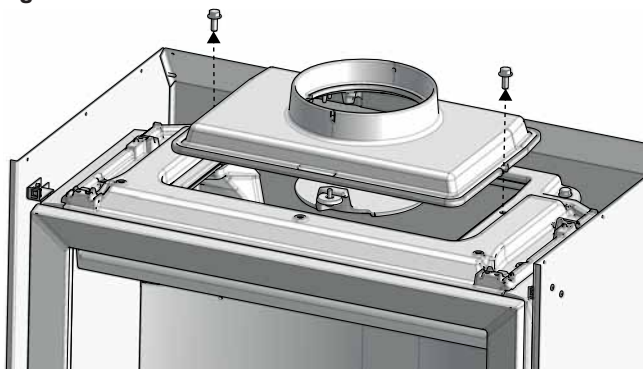
1. Unscrew the screws around the top of the cassette.

Fig. 7b



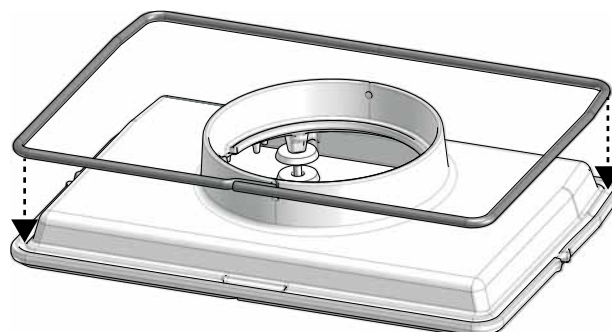
2. Remove the top
3. When refitting, follow the same procedure in reverse order.

Fig. 8



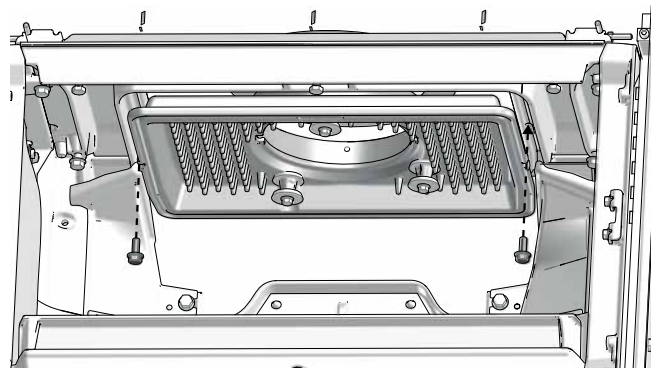
1. Unscrew two screws and remove the smoke outlet

Fig. 9



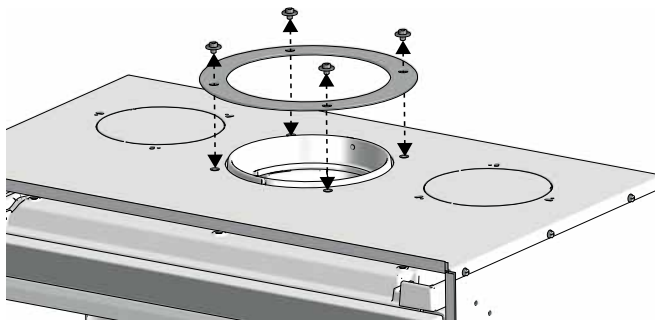
1. Pull off the protective paper from the supplied gasket, and put it on the smoke outlet

Fig. 10



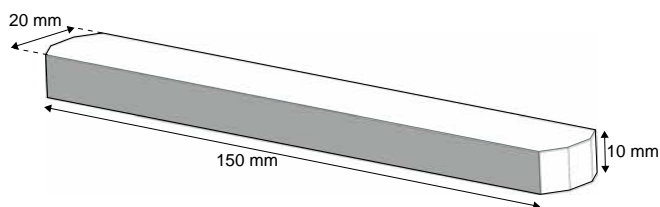
1. Place the smoke outlet into the burn chamber, and up through the opening. Attach with the screws from fig 8.

Fig. 11



1. Unscrew the 4 screws and washers from the top plate of the cassette.
2. Put the metal ring found in the box supplied with the stove, around the smoke outlet and secure with the screws and washers. Do not tighten the screws intirely, until you know that no more adjusting is necessary.

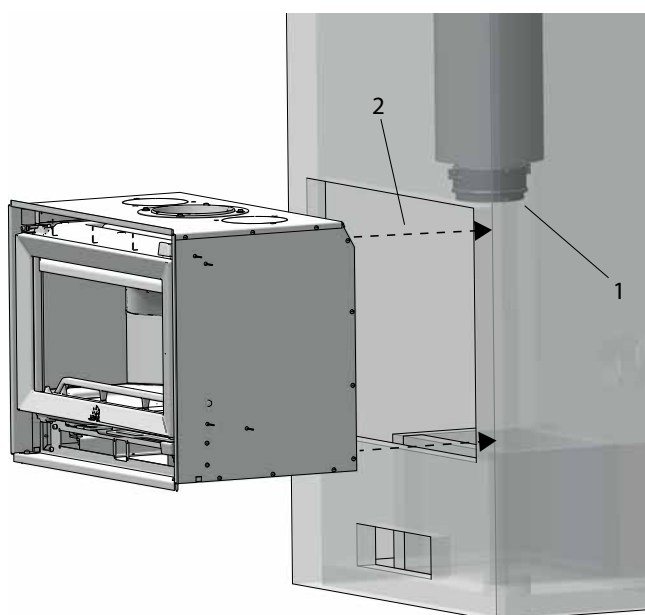
Fig. 12



1. Cut out a small piece of wood, with the dimensions in the fig above. This will be used as a tool, to secure the adaptor to the smoke outlet from inside the burn chamber.

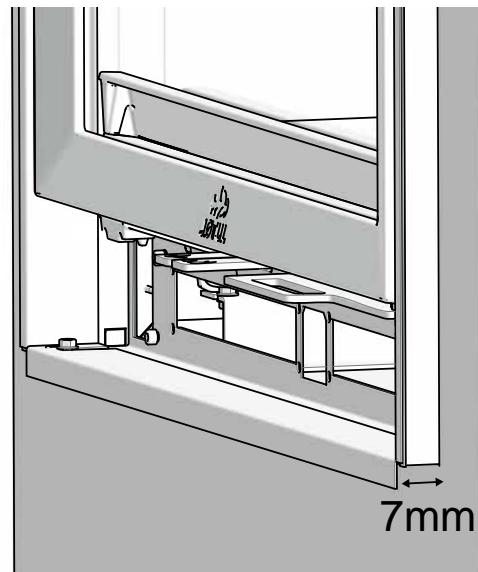
The adaptor must be connected to the flue pipe before the cassette is placed in the surround. See fig 5a, and steps 3-5 in fig 5b.

Fig. 13a



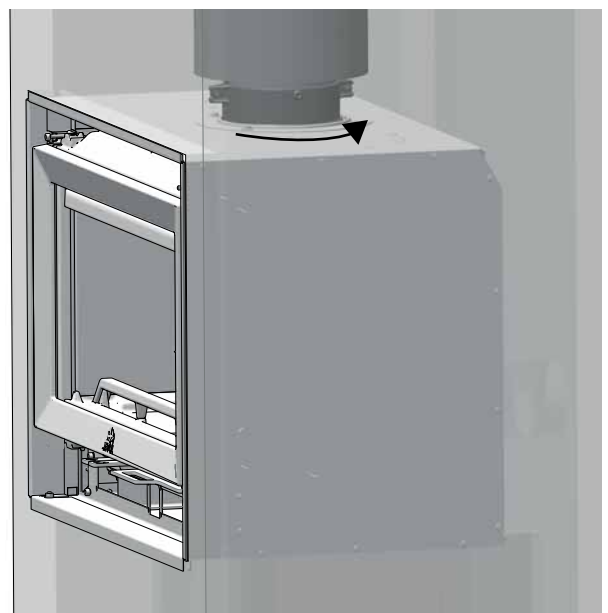
1. Fasten the piece of wood into the adaptor, by putting it in tension.
2. Place the cassette into the surround in the right position

Fig. 13b



3. Make sure there is a 7 mm gap between the edge of the cassette, to the surround.

Fig. 14

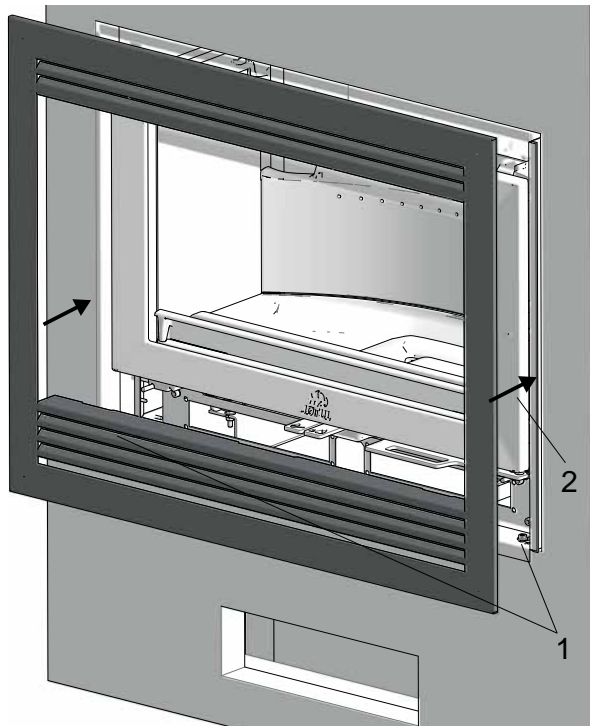


1. Secure the adaptor from the inside by turning it, using the wooden piece. Remove the wooden piece when assembled

Reinstall the upper exhaust deflector (fig 6), exhaust deflector (fig 39) and baffle plate (fig 38). Reattach the top plate of the cassette (fig 7).

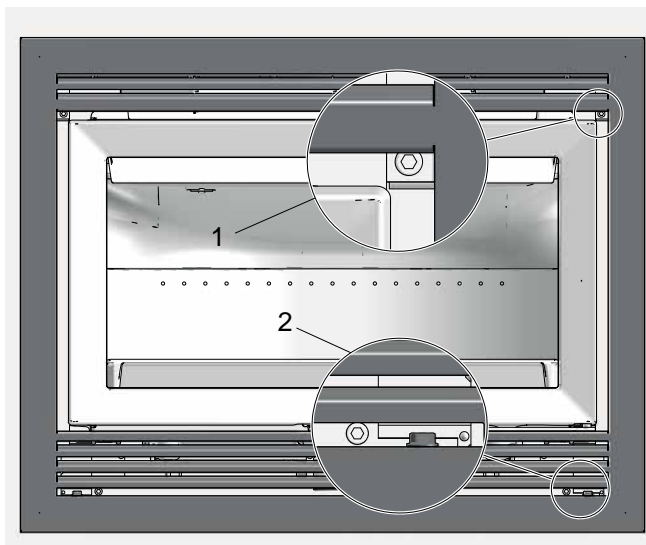
ENGLISH

Fig. 15a



1. Loosen the two nuts at the front bottom of the cassette.
2. Push the frame into place.

Fig. 15b

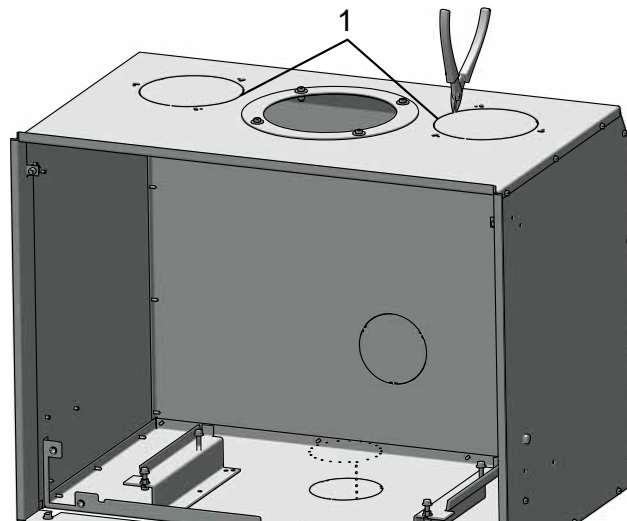


3. Secure the top of the frame into place using two 20 mm long screws from the bag of screws (identical on both sides of the frame), with a 5 mm Allen key.
4. Tighten the two nuts at the front bottom of the cassette (identical on both sides of the frame), with a 10 mm wrench.

Hot air distribution - optional

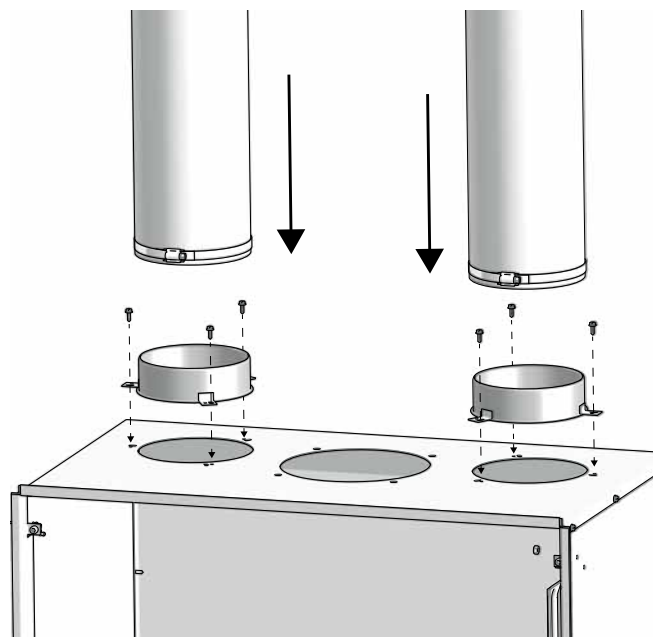
See chapter 4.4 for information about convection air / hot air distribution. If necessary, take the insert out of the cassette when connecting hot air distribution (see fig 7 and 17-19).

Fig. 16a



1. Use pliers to remove the lids for hot air ducts.

Fig. 16b



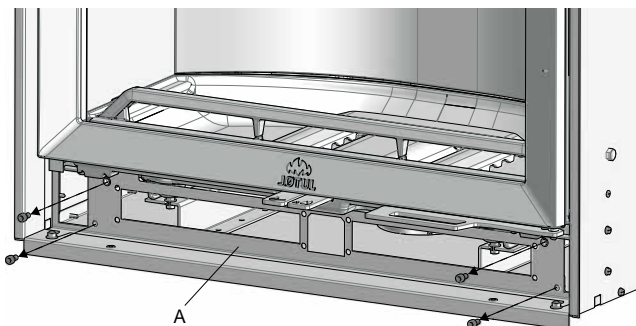
2. Attach the hot air outlets to the cassette, with screws from the bag of screws.
3. Place flexible pipes on the outside of the outlets, and tighten clamp with screwdriver or 7 mm socket wrench. The screws can also be fitted from the inside.

4.8 Installing outside air connection

There are two ways of installing the outside air connection; rear or bottom. Both options requires removing the insert from the cassette during installation.

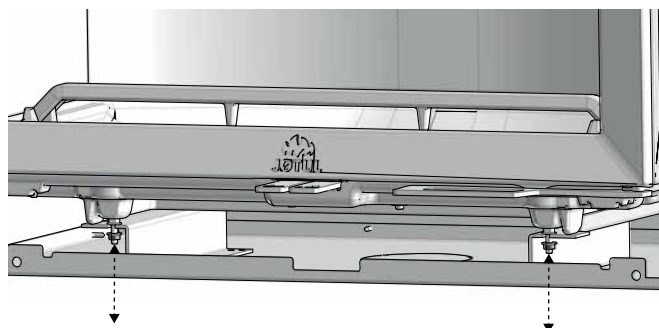
Start by removing the top of the cassette, as shown in fig. 7.

Fig. 17



1. Unscrew the 4 screws securing the front bracket (A) with a 5 mm Allen key.
2. Tilt out the front bracket (A).

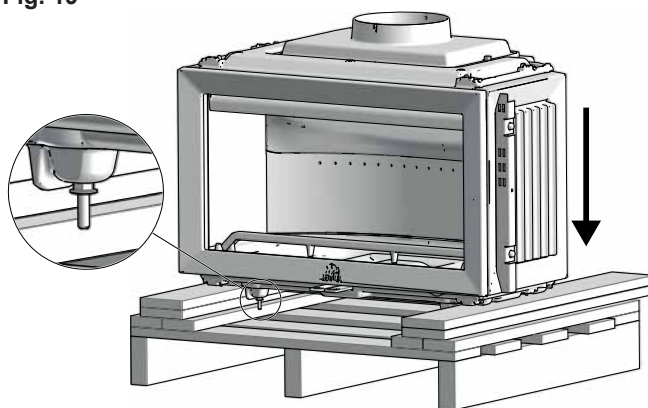
Fig. 18



1. Loosen the two nuts on the bottom of the burn chamber, to free the burn chamber from the cassette..

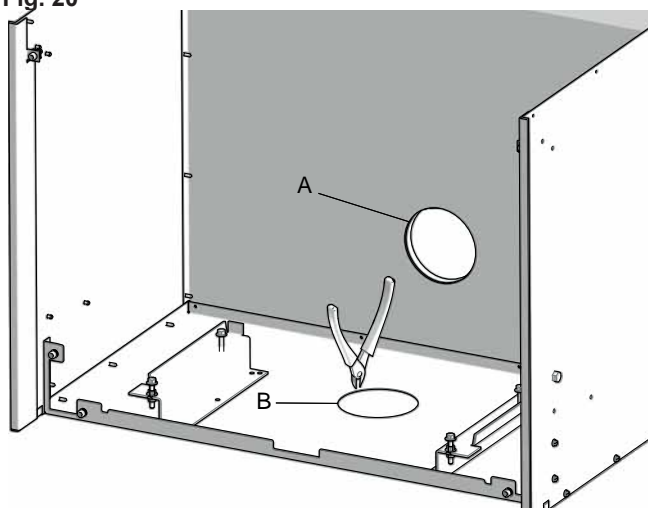
Carefully lift the insert out of the cassette, and place in on a suitable surface (see fig 19).

Fig. 19



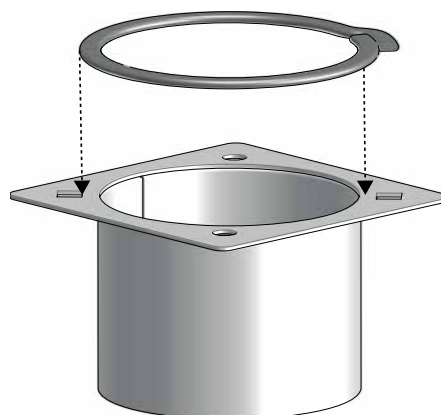
1. Place the insert on a suitable surface, making sure the weight is not resting on the bolts at the bottom of the burn chamber. This can be done by using the pallet and wooden materials that came with the product.

Fig. 20



1. Remove the outside air supply cover (either rear (A) or bottom (B)) with pliers.

Fig. 21

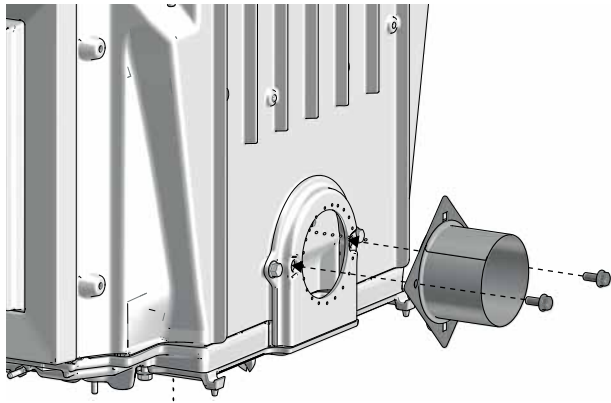


1. Remove the protective paper from the supplied gasket and place the gasket on the outside air adaptor.

ENGLISH

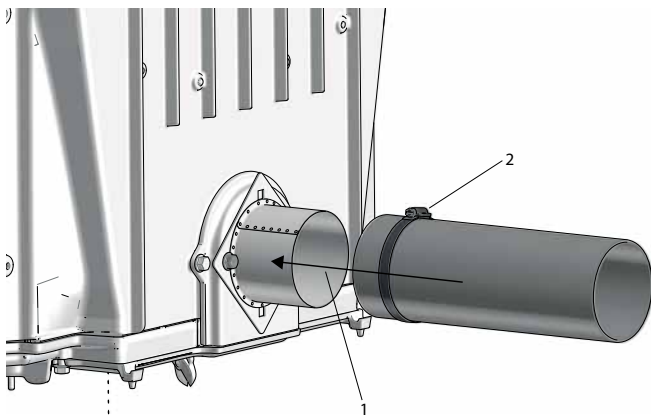
Outside air connection - rear outlet

Fig. 22



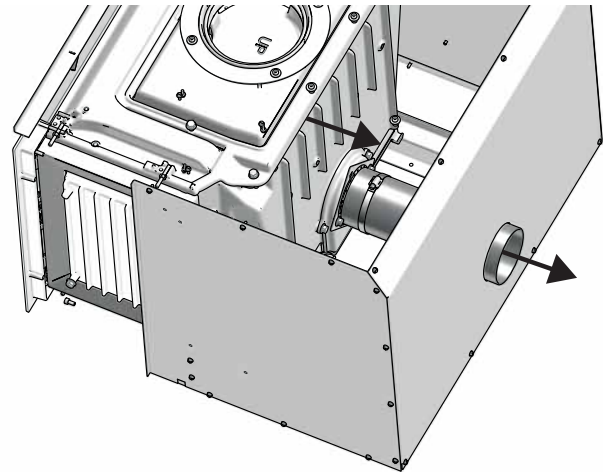
1. Mount the outside air adaptor at the rear outlet with the screws included in the bag of screws (use a 13 mm wrench).

Fig. 23



1. Place a flexible pipe on the outside of the outside air adaptor.
2. Tighten hose clamp with screwdriver or 7 mm socket wrench.

Fig. 24

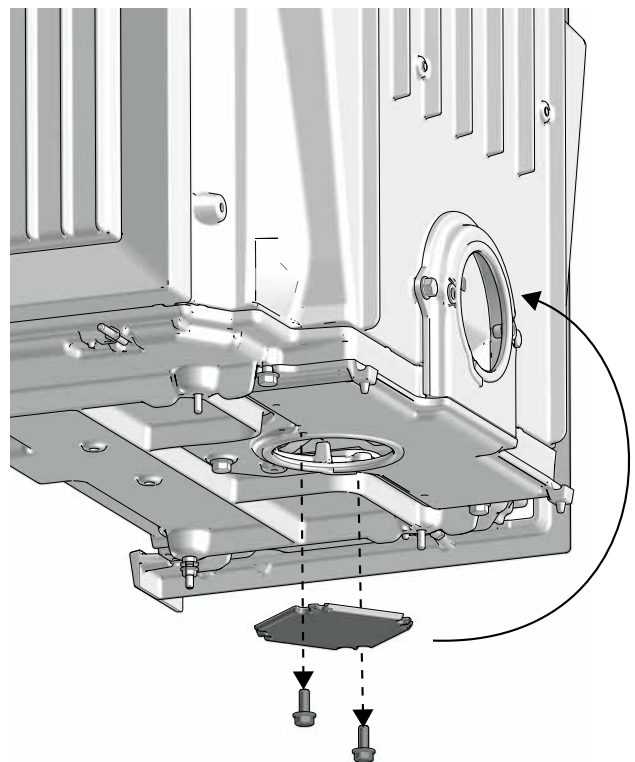


1. Place the insert back in the convection chamber, with the pipe through the rear outlet. The flexible pipe can also be installed from the outside of the convection chamber.

The front bracket can now be reattached (see **fig.17**).

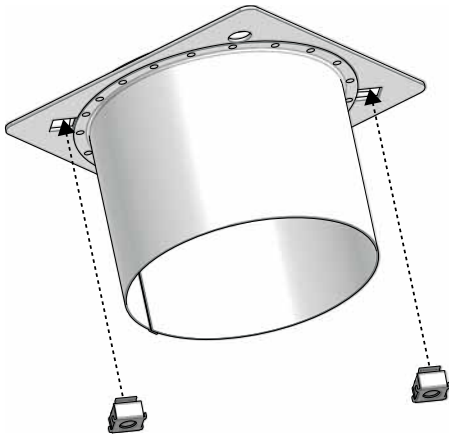
Outside air connection - bottom outlet

Fig. 25



1. Move the outside air cover from the bottom outlet to the rear outlet.

Fig. 26



1. Attach the square nuts found in the bag of screws, to the outside air adaptor.

The outside air adaptor must be secured from the inside of the burn chamber. To access the bottom of the burn chamber, a number of parts need to be removed. First remove the log retainer (fig 36), the burn plates (fig 37) the ventilation cover (fig 40a) and the inner bottom (fig 40b).

Fig. 27a Removing insulation mats

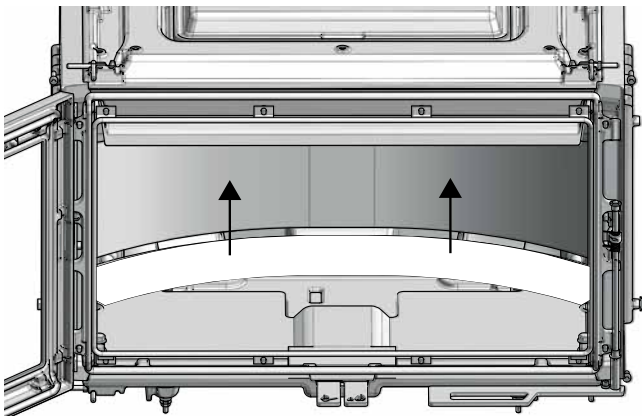


Fig. 27b

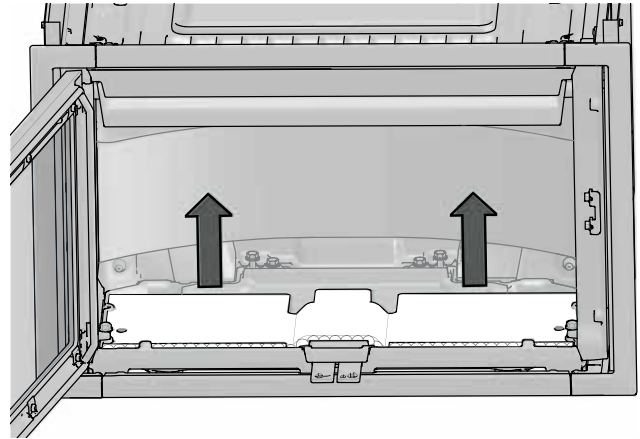
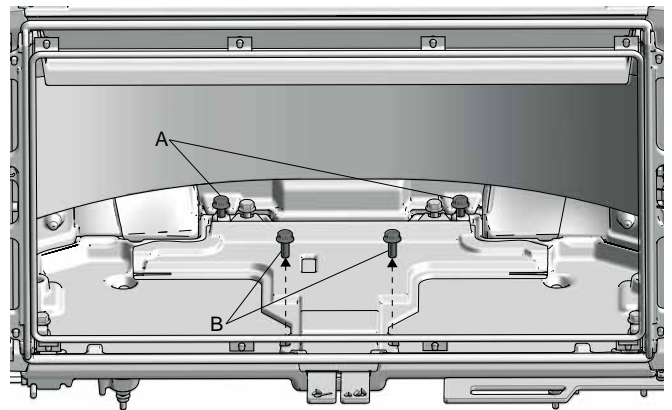
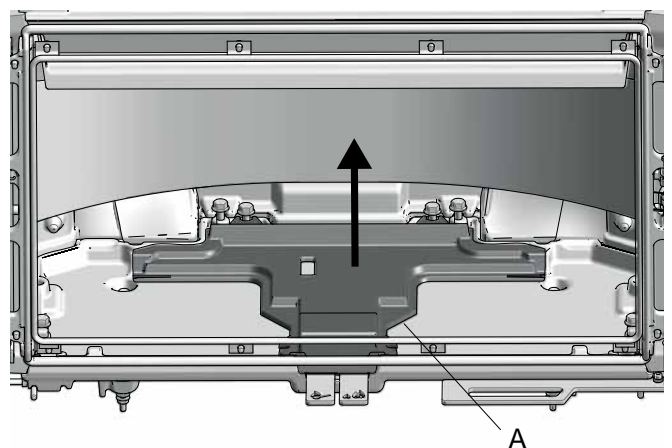


Fig. 28a



1. Loosen the two back screws (A), do not remove them.
2. Unscrew the two front screws (B).

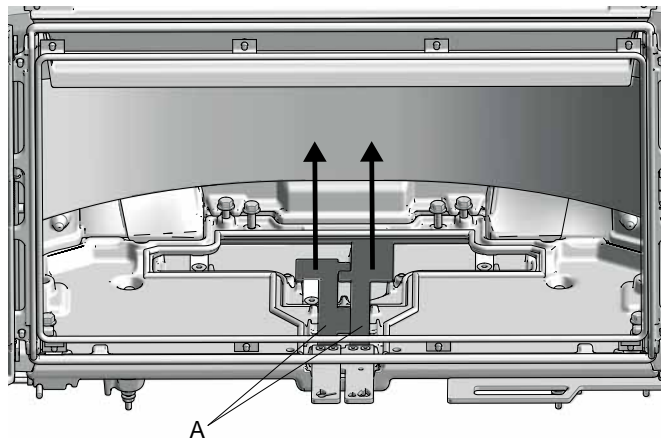
Fig. 28b



3. Lift and tilt out the outside air bottom (A).

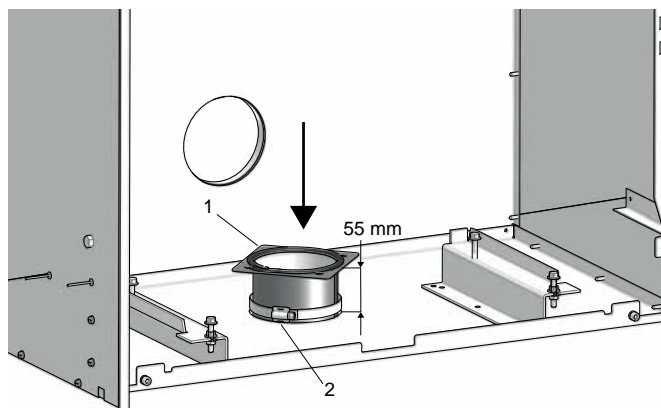
ENGLISH

Fig. 29



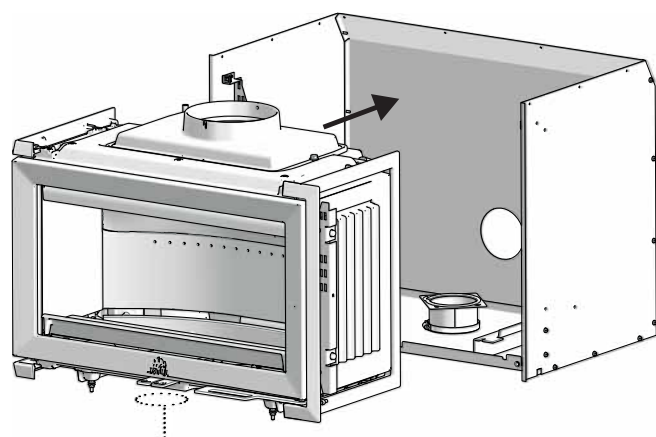
1. Remove the vent valves (A)

Fig. 30



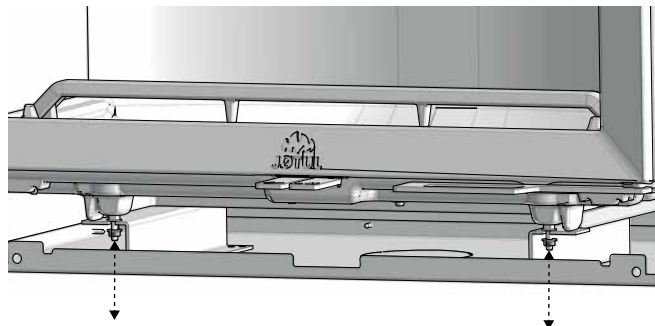
1. Place the outside air adaptor with hose clamp on to the bottom outlet of the cassette.
2. Make sure that the distance between the bottom outlet and top of the adaptor is approx. 55mm. The adaptor should be resting on the clamp.

Fig. 31



1. Place the inset back in the cassette.

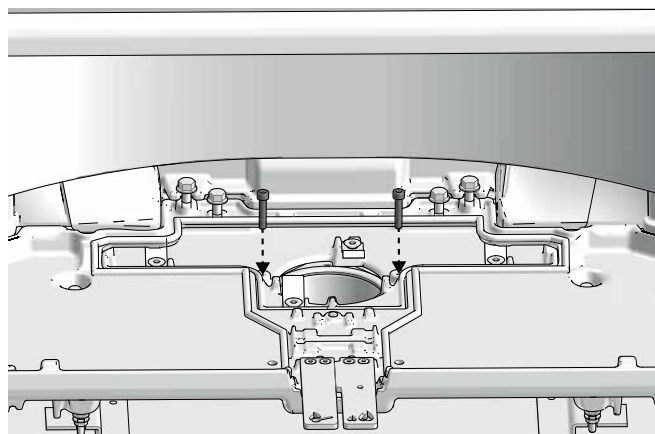
Fig. 32



1. Tighten the two nuts on the bottom of the burn chamber, to secure it in the cassette.

The front bracket can now be reattached (see **fig.17**).

Fig. 33



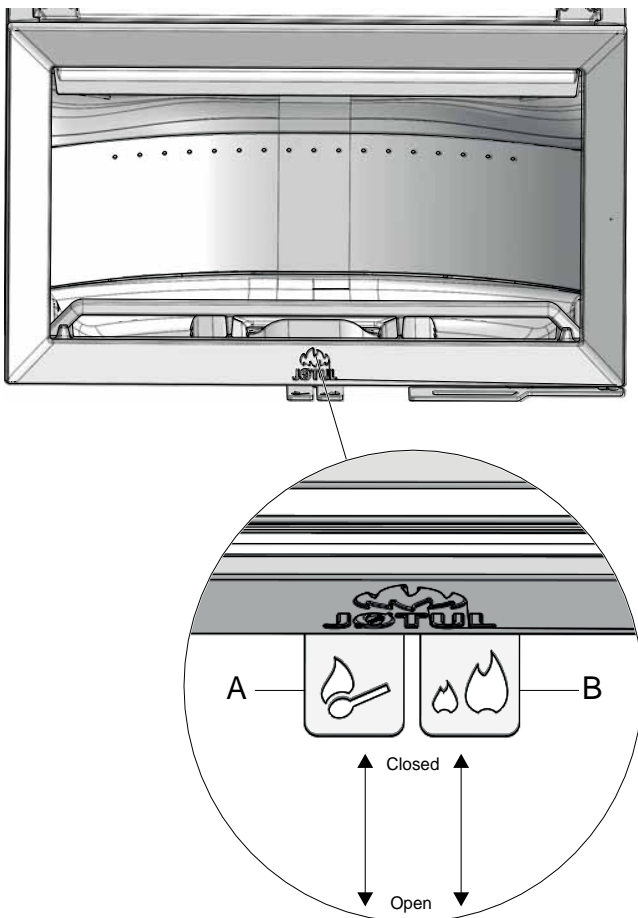
1. Secure the outside air adaptor in place with two 25 mm screws from the inside of the burn chamber, with a 5 mm Allen key. The screws are in the bag of screws.

Assemble all the parts back into the burn chamber, follow the same procedure in reverse order.

4.9 Performance check

Once the product has been assembled, always check the control handles. These should move easily and work in a satisfactory manner.

Fig. 34



The Jøtul C620 is equipped with the following operating options:

Ignition vent (Fig. 34A)

Air vent (Fig. 34B)

5.0 Daily use

Odours when using the fireplace for the first time!

When the fireplace is used for the first time, it may emit an irritating gas which may smell slightly. This is because the paint on the outside is drying. The gas is not toxic but you should open some windows to ensure the room is thoroughly ventilated. Let the fire burn with a high draught until all traces of the gas have disappeared and no smoke or odours can be detected.

Keep the door closed during use (the product is not approved for use with open door).

Please note! Parts of the wood-burning stove, especially the outer

surfaces, become hot during use. Please exercise due care!

Heating advice

NB: Logs that have been stored outdoors or in a cold room should be brought indoors 24 hours before use to bring them up to room temperature.

There are various ways of heating the stove but it is always important to be careful about what you put in the stove. See the section on “**Wood quality**”.

NB! Combustion with too low air supply can lead to poor combustion, poorer efficiency, high particulate emissions, black carbon and other health and climate hazardous compounds.

5.1 Wood quality

By quality wood we mean most well-known types of wood such as birch, spruce and pine.

The logs should be dried so that the moisture content is no more than 20%.

To achieve this, the logs should be cut during the late winter. They should be split and stacked in a way that ensures good ventilation. The wood stacks should be covered to protect the logs from rain. The logs should be brought indoors during early autumn and stacked/stored for use in the coming winter.

Be especially careful never to use the following materials as fuel in your fireplace:

- Household rubbish, plastic bags, etc.
- Painted or impregnated timber (which is extremely toxic).
- Laminated wooden planks.
- Driftwood

These may harm the product and are also pollutants.

NB: Never use petrol, paraffin, methylated spirit or similar liquids to light the fire. You may cause serious injury to yourself and damage to the product.

ENGLISH

5.2 Wood consumption

Jøtul C 620 has a nominal heat output of **ca. 8 kW**. Use of wood, with nominal heat emission: Approx. **2,46 kg/h**. The size of the logs should be:

Kindling:

Length: 20-30 cm

Diameter: 6-10 cm

Amount per fire: 3 pieces

Firewood (split logs):

Length: Ca 24-30 cm

Intervals for adding wood: Approximately every 49 minutes

Size of the fire: 1,92 kg (nominal efficiency)

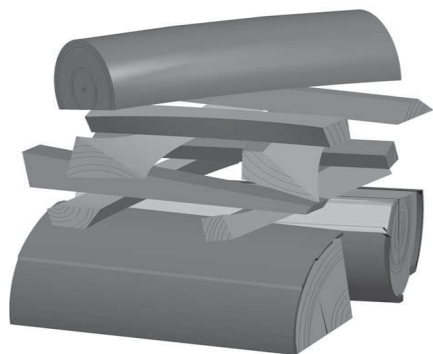
Amount per load: 3 pieces

The given testresults have been obtained by loading 3 logs á 24 cm, total weight of 1,92 kg. The logs are laid in a triangle. Ignition vent set for about 63% air, and air vent set for about 75% air.

5.3 Use

- Open the air vent and the ignition vent by pulling them out all the way. If necessary, keep the door slightly open. (Use a glove, for example, as the handle can become hot.)
- Place two medium sized logs in/out on each side of the base. N.B. In order to avoid sooting on the glass, it is important that the log is not placed adjacent to the glass on the product.
- Put 2-3 briquettes (or birch bark) between these and add some kindling wood in a criss-cross pattern on top and light the newspaper.
- Gradually increase the size of the woodlogs.
- Finally, place a medium-sized log on the top of the pile.
- Then regulate the rate of combustion to the desired level of heating by adjusting the air vent.
- Close the stove door. It must always be closed when the fire is lit.

Fig. 35



Adding firewood

Stoke the stove frequently but only add small amounts of fuel at a time. If the stove is filled too full, the heat created may cause extreme stress in the chimney. Add fuel to the fire in moderation. Avoid smouldering fires as this produces the most pollution. The fire is best when it is burning well and the smoke from the chimney is almost invisible.

Danger of overheating

The fireplace must never be used in a manner that causes overheating.

Overheating occurs when there is too much fuel and/or too much air so that too much heat develops. A sure sign of overheating is when parts of the fireplace glow red. If this happens, reduce the air vent opening immediately.

Seek professional advice if you suspect that the chimney is not drawing properly (too much/too little draught). For further

information, see «4.0 Installation» (Chimney and flue pipe).

Condensation

Condensation in a fireplace / flue pipe / chimney may occur. This may be caused by moist firewood or differences in temperature in the fireplace and environment.

Condensed water coming from the fireplace appears as a black, tar-like liquid. This should be wiped off immediately to avoid discoloration of the fireplace, floor or surrounding building components.

It is important to get the wood burning quickly to avoid condensation

If the condensation continues, mineral sand can be placed on the bottom plate.

5.4 How wind and weather affect the stove

The performance of the stove can be affected considerably by the wind acting on the chimney at different strengths. It may therefore be necessary to adjust the air supply to ensure good combustion performance.

Fog and mist can have a significant impact on the chimney draught and it might be necessary to use other combustion air settings to ensure good performance.

5.4 The importance of the chimney

The chimney is the engine that drives the fireplace and it's essential to have a good chimney in order for the fireplace to function properly.

The draught in the chimney creates a vacuum in the stove. The combustion air is also used for the airwash system that keeps the window clear of soot.

The draught in the chimney is caused by the difference in temperatures inside and outside the chimney. The greater the temperature difference, the better the draught in the chimney. It is therefore important to allow the chimney to reach operating temperature before adjusting the air vents to restrict combustion in the stove (a brickwork chimney takes longer to reach operating temperature than a steel chimney).

It is particularly important to reach operating temperature as quickly as possible on days on which the draught in the chimney is poor due to unfavourable wind and weather conditions. Make sure the fuel ignites as quickly as possible.

Practical tip: Chop the wood into much smaller pieces and use an extra firelighter.

NB: If the stove has not been used for some considerable time, it is important to check the chimney pipe for blockage.

6.0 Maintenance

6.1 Cleaning the glass

Some soot will always stick to the glass, but the quantity will depend on the local draught conditions and adjustment of the air vent. Most of the soot layer will normally be burned off when the air vent is opened all the way and a fire is burning briskly in the fireplace.

Good advice! For normal cleaning, moisten a paper towel with warm water and add some ash from the burn chamber. Rub it over the glass and then clean the glass with clean water. Dry well. If it is necessary to clean the glass more thoroughly we recommend using a glass cleaner (*follow the instructions on the bottle*).

6.2 Removing the ashes

- Only remove ashes when the fireplace is cold.
- Use a shovel to scrape the ashes out, but always leave a little ash at the bottom of the combustion chamber as a protective insulating layer.
- Ashes should be placed outside in a metal container.

6.3 Cleaning and soot removal

Soot deposits may build up on the internal surfaces of the fireplace during use. Soot is a good insulator and will therefore reduce the fireplace's heat output. If soot deposits accumulate when using the product, they can be easily removed by using a soot remover.

In order to prevent a water and tar layer from forming in the fireplace you should regularly allow the fire to burn hot in order to remove the layer. An annual internal cleaning is necessary to get the best heating effect from the product. It is a good idea to do this in connection with the sweeping of the chimney and flue pipes.

6.4 Sweeping of flue pipes to the chimney

Flue pipes must be swept through the flue pipe sweeping hatch or through the product's door opening. Then, the baffle and exhaust deflector must be removed.

6.5 Inspection of the fireplace

Jøtul recommends that you personally inspect your fireplace carefully after sweeping/cleaning. Check all visible surfaces for cracks. Also check that all joints are sealed and that the gaskets are in the correct position. Any gaskets showing signs of wear or deformation must be replaced.

Thoroughly clean the gasket grooves, apply ceramic glue (available from your local Jøtul dealer), and press the gasket well into place. The joint will dry quickly.

6.6 Exterior maintenance

Painted products may change colour after several years usage. The surface should be cleaned and brushed free of any loose particles before new paint is applied.

Important! Never place anything on the top plate of the stove. This could cause permanent damage to the paint or enamel.

7.0 Service

Any unauthorised modifications to the product are prohibited! Only original spare parts may be used!

Use tools with great care.

7.1 Replacing the burn plates

Fig. 36 Remove the log container

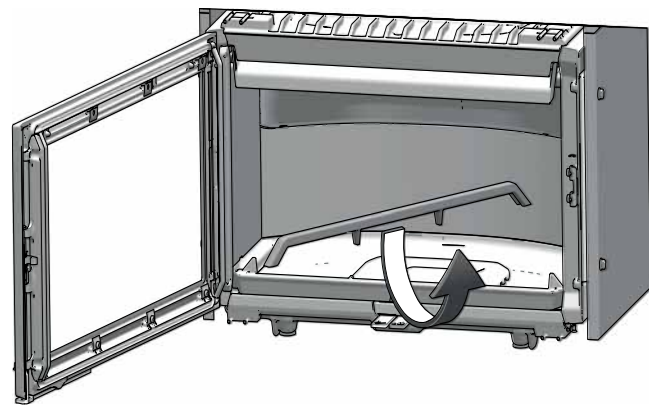
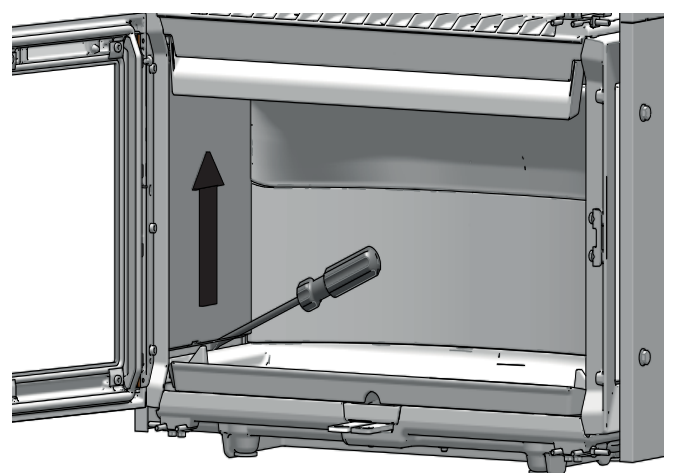
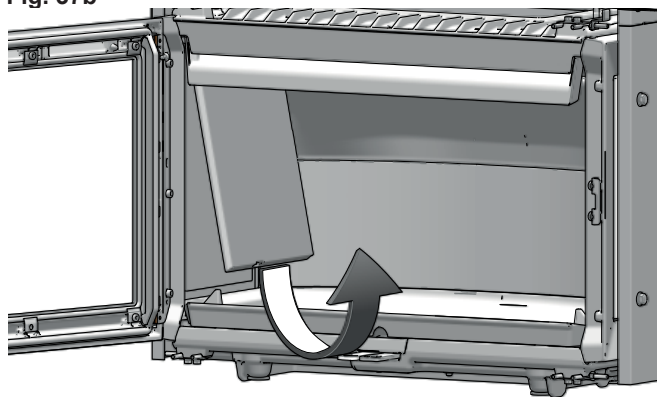


Fig. 37a



ENGLISH

Fig. 37b

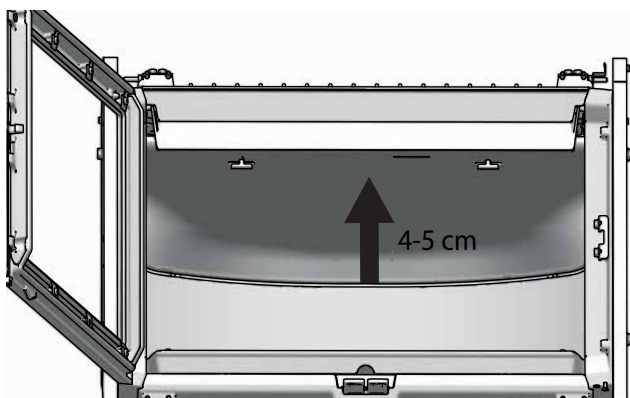


1. Remove the side burn plates on both sides by lifting them slightly and pulling out at the bottom.
2. To install the burn plates, follow the same procedure in reverse order

7.2 Replacing the baffle plate

First remove the side burn plates (Fig.36). It is not necessary to remove the back burn plate .

Fig 38a



1. Lift the baffle plate.

Fig 38b

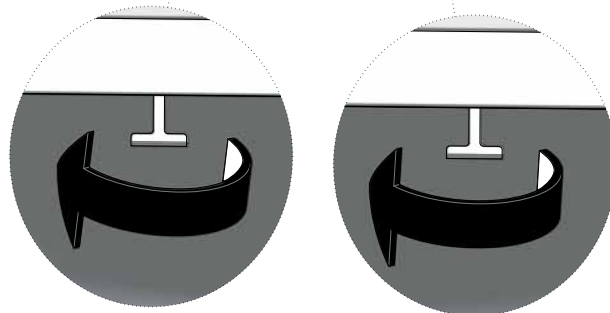
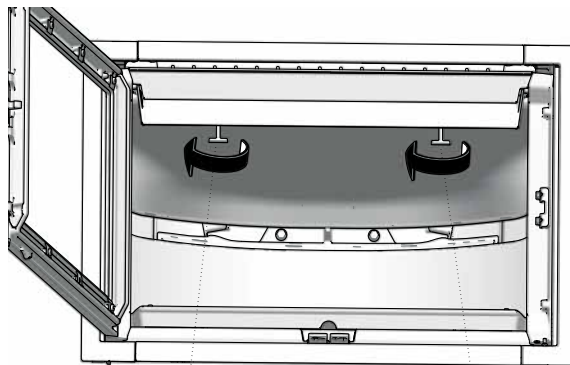
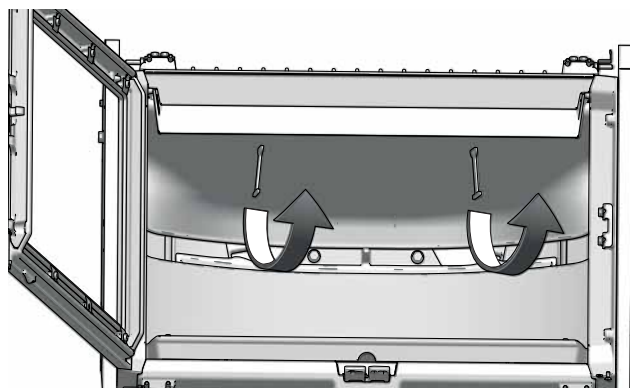
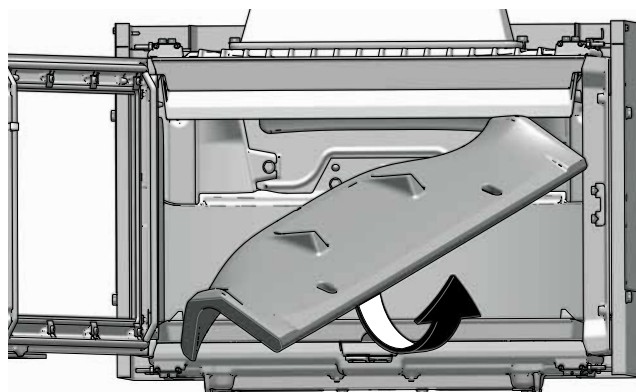


Fig 38c



2. Turn the keys to remove them.

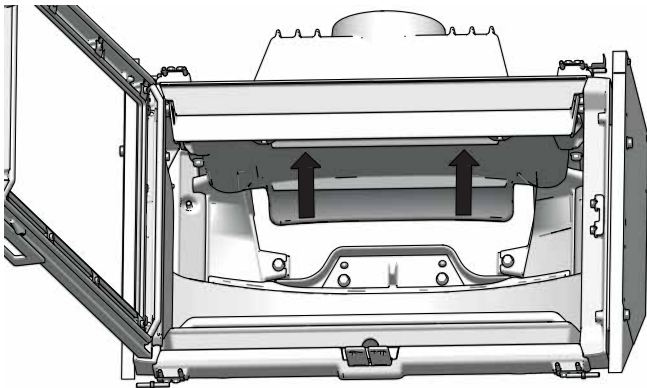
Fig 38d



3. Tilt out the baffle plate.
4. When refitting, follow the same procedure in reverse order.

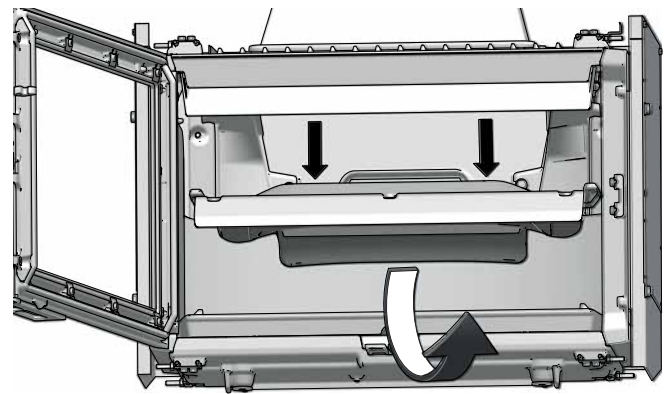
7.2 Replacing the exhaust deflector

Fig 39a



1. Push the deflector up, and inwards

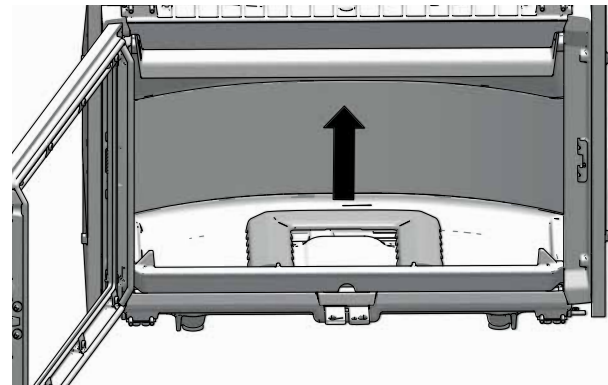
Fig 39b



2. Tilt out the exhaust deflector.
3. When refitting, follow the same procedure in reverse order.

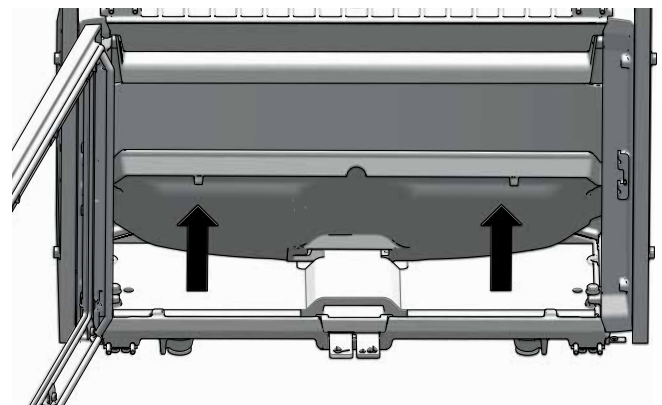
7.3 Replacing the inner bottom

Fig 40a



1. Remove the ventilation cover.

Fig 40b



2. Lift and tilt out the inner bottom.
3. When refitting, follow the same procedure in reverse order.

ENGLISH

8.0 Operational problems - troubleshooting

Poor draught

Check the length of the chimney and that it complies with national laws and regulations. (See also «2.0 Technical data» and «4.0 Installation» (Chimney and flue pipe) in the installation manual for information.)

Make sure that the minimum cross section on the chimney is according to «2.0 Technical data» in the installation manual.

Make sure that there is not anything preventing the smoke gasses from escaping: branches, trees, etc.

Upon suspicion of excessive/poor draught in the chimney, seek professional help for measurement and adjustment.

The fire extinguishes after a while

- Make sure that the firewood is sufficiently dry.
- Find out whether there is negative pressure in the house, close mechanical fans and open a window close to the fireplace.
- Check that the air vent is open.
- Check that the flue outlet is not clogged by soot.

Unusual amount of soot accumulates on the glass

Some soot will always stick to the glass, but the quantity depends on:

- Moisture in the fuel.
- The local draught conditions.
- Air vent opening.

Most of the soot will normally burn off when the air vent is opened all the way and a fire is burning briskly in the fireplace.

9.0 Optional extras

9.1 Fan

(Cat. no. 50054865)

9.2 Kit for outside air connection Ø 100 mm

(Cat. no. 51042164)

9.3 Door lock, complete, left

For right-hinged door

(Cat. no. 50045754)

10.0 Recycling

10.1 Recycling packaging

Your fireplace is delivered with the following packaging:

- A wooden pallet that can be cut up and burned in the fireplace.
- Cardboard packaging that should be taken to a local recycling facility.
- Plastic bags that should be taken to a local recycling facility.

10.2 Recycling the fireplace

The fireplace is made of:

- Metal that should be taken to a local recycling facility.
- Glass that should be disposed of as hazardous waste. The glass in the fireplace must not be placed in a regular source segregation container.
- Vermiculite burn plates that can be disposed of in regular waste containers.

11.0 Guarantee terms

1. Our guarantee covers:

Jøtul AS guarantees that the external cast-iron parts are free from defects in materials or manufacturing at the time of purchase. You may extend the guarantee on the external cast-iron parts to 25 years from the date of delivery by registering the product on jotul.com, and print out the extended guarantee card within three months of purchase. We recommend that the guarantee card be kept together with the receipt. Jøtul AS also guarantees that steel plate parts are free from defects in materials or manufacturing at the time of purchase for a period of 5 years from the date of delivery.

The guarantee applies on the condition that the stove has been installed by a qualified installer in accordance with applicable laws and regulations and Jøtul's installation and operating instructions. Repaired products and replacement items are guaranteed within the original guarantee period.

2. The guarantee does not cover:

- 2.1. Damage to consumables such as burn plates, fire grates, flue baffles, gaskets and similar as these deteriorate over time due to normal wear and tear.
- 2.2. Damage caused as a result of improper maintenance, overheating, use of unsuitable fuel (e.g. of unsuitable fuel are, but not limited to driftwood, impregnated wood, plank offcuts, chipboard) or too moist / wet wood.
- 2.3. Installation of optional extras for the purpose of rectifying local draught conditions, air supply or other circumstances beyond Jøtul's control.
- 2.4. Cases involving alterations / modifications to the fireplace without Jøtul's consent or the use of non-original parts.
- 2.5. Damage caused during storage at a distributor, transport from a distributor or during installation.
- 2.6. Products sold by unauthorized sellers in areas where Jøtul operates a selective distribution system.
- 2.7. Associated cost (e.g. but not limited to, transport, manpower, travel) or indirect damages.

Pellets stoves, glass, stone, concrete, enamel and paint finish (e.g. but not limited to chipping, cracking, bubbling or discolouration and crazing) are applicable to the national legislation governing the sale of consumer goods. This guarantee is valid for purchases made within the territory of the European Economic Area. All guarantee inquiries must be addressed to your local authorized Jøtul dealer within a reasonable amount of time, which shall not be later than 14 days from the date on which the fault or defect first became apparent. See list of importers and dealers on our web site www.jotul.com.

If Jøtul is unable to meet the obligations outlined in the above guarantee terms, Jøtul will offer a replacement product with a similar heating capacity free of charge.

Jøtul reserve the right to decline of any replacement of parts or service in the event that the guarantee is not registered online. This guarantee does not affect any rights under applicable national legislation governing the sale of consumer goods. The national complaint right applies from the purchase date and only in exchange for a receipt / serial number.

Manuel d'installation et données techniques

1.0 Informations réglementaires	24
2.0 Données techniques	24
3.0 Sécurité	27
4.0 Installation	28
5.0 Utilisation quotidienne	38
6.0 Entretien	40
7.0 Maintenance	40
8.0 Dysfonctionnements - Causes et dépannages	42
9.0 Équipements disponibles en option ..	43
10.0 Recyclage	43
11.0 Conditions de garantie	43

Enregistrez votre insert sur jotul.com pour la garantie de 25 ans.

Product: Jotul Room heater fired by solid fuel				CE
Standard Minimum distance to adjacent combustible materials: Minimum distance to adjacent non-combustible materials: Emission of CO in combustion products Flue gas temperature Nominal heat output Efficiency Operational range Fuel type Operational type The appliance can be used in a shared flue.				
Country	Classification	Certificate/standard	Approved by	
Norway	Klasse II			
Sweden	occ	SP	SP Sveriges Provnings- och Forskningsinstitut AB	
EUR	Intermittent	EN	SP Swedish National Testing and Research Institute	
Follow user's instructions. Use only recommended fuels. Montage- und Bedienungsanleitung beachten. Närvaras för när empletterns bränslestoffen. Respectez les consignes d'utilisation. Utilisez uniquement les combustibles recommandés.				
Lot no: FXXXX, Year: 200x				
Manufacturer: Jotul AS POB 1441 N-1602 Fredrikstad Norway		221546		

On all our products there is a label indicating the serial number and year. Write this number in the place indicated in the installation instructions.

Always quote this serial number when contacting your retailer or Jotul.

Lot no. Pin.

1.0 Informations réglementaires

L'installation d'un foyer est soumise aux législations et réglementations nationales en vigueur.

Les réglementations locales, y compris celles se rapportant aux normes nationales et européennes, devront être respectées au moment d'installer l'appareil.

Les instructions de montage, d'installation et d'utilisation sont fournies avec l'appareil. L'installation ne doit pas être utilisée avant d'avoir été inspectée et approuvée.

Une plaque signalétique thermorésistante se trouve sur le bouclier thermique, derrière l'appareil. Elle comporte les informations suivantes : fabricant, adresse, nom du produit, référence catalogue, norme de fabrication, référence de production et puissance. Nous vous recommandons de relever le numéro de série sur la première page du manuel avant de procéder à l'installation.

2.0 Données techniques

Matériau :	Fonte
Finish:	Black paint
Combustible :	Bois
Sortie de fumée :	Haut
Dimensions du conduit de fumée :	Ø 150 mm / section transversale 177 cm ²
Raccord d'air frais :	Tuyau en aluminium flexible Ø 100 mm
2 raccords pour la sortie d'air chaud :	Tuyau en aluminium flexible Ø 150 mm
Poids :	Environ 172 kg
Les options:	Cadre large et cadre étroit
Équipements en option :	Ventilateur, kit d'amenée d'air frais Ø 100 mm, adaptateur pour conduit de fumée, de porte complet gauche.
Dimensions du produit, distances :	Voir la Fig. 1

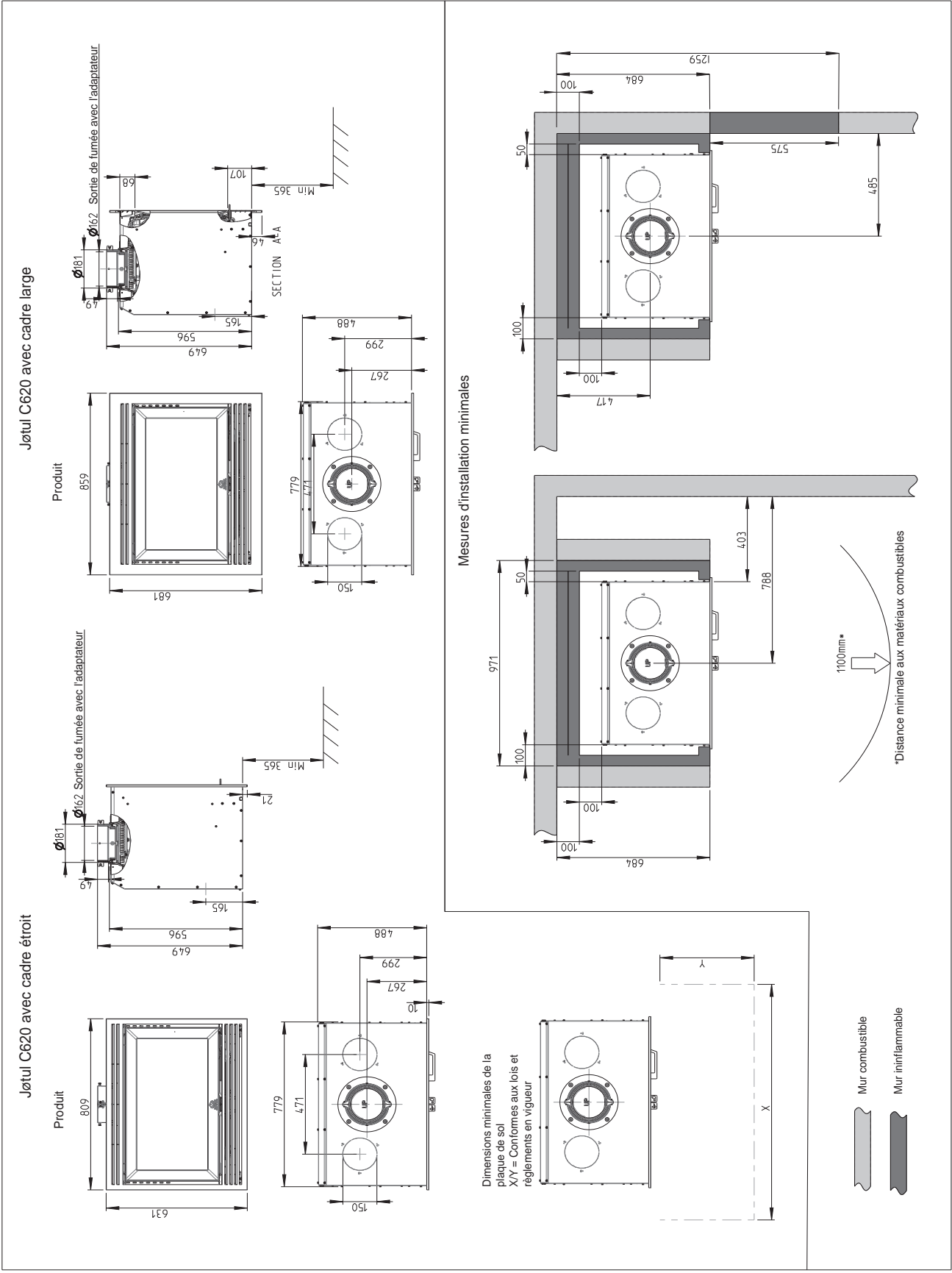
Données techniques conformes à la norme EN 13229

Puissance nominale :	8 kW
Débit massique des fumées :	7,9 g/s
Tirage de cheminée, EN 13229 :	12 Pa
Tirage de fonctionnement :	14-16 Pa
Rendement :	78 % à 8 kW
Émissions de CO (13 % O ₂) :	0,052%
Émissions de CO (13 % O ₂) :	653 mg/Nm ³
NOx à 13 % O ₂ :	92 mg Nm ³
OGC à 13 % O ₂ :	36 mg/Nm ³
Consommation d'air à puissance nominale :	24 m ³ / h.
Température de cheminée, EN 13229 :	269 °C
Poussières :	11 mg/Nm ³ à 13 % O ₂
Combustible :	Bois exclusivement
Longueur recommandée des bûches :	30-60 cm
Longueur maximale des bûches :	60 cm
Consommation horaire :	2,46 kg/h
Quantité de bois d'allumage max. :	3,5 kg
Quantité de bois d'allumage nominal :	1,8-1,9 kg
Fonctionnement :	Intermittent

Par fonctionnement intermittent, on entend une utilisation normale du foyer dans laquelle on ajoute du bois lorsqu'il ne reste plus que des braises.

Jøtul C620

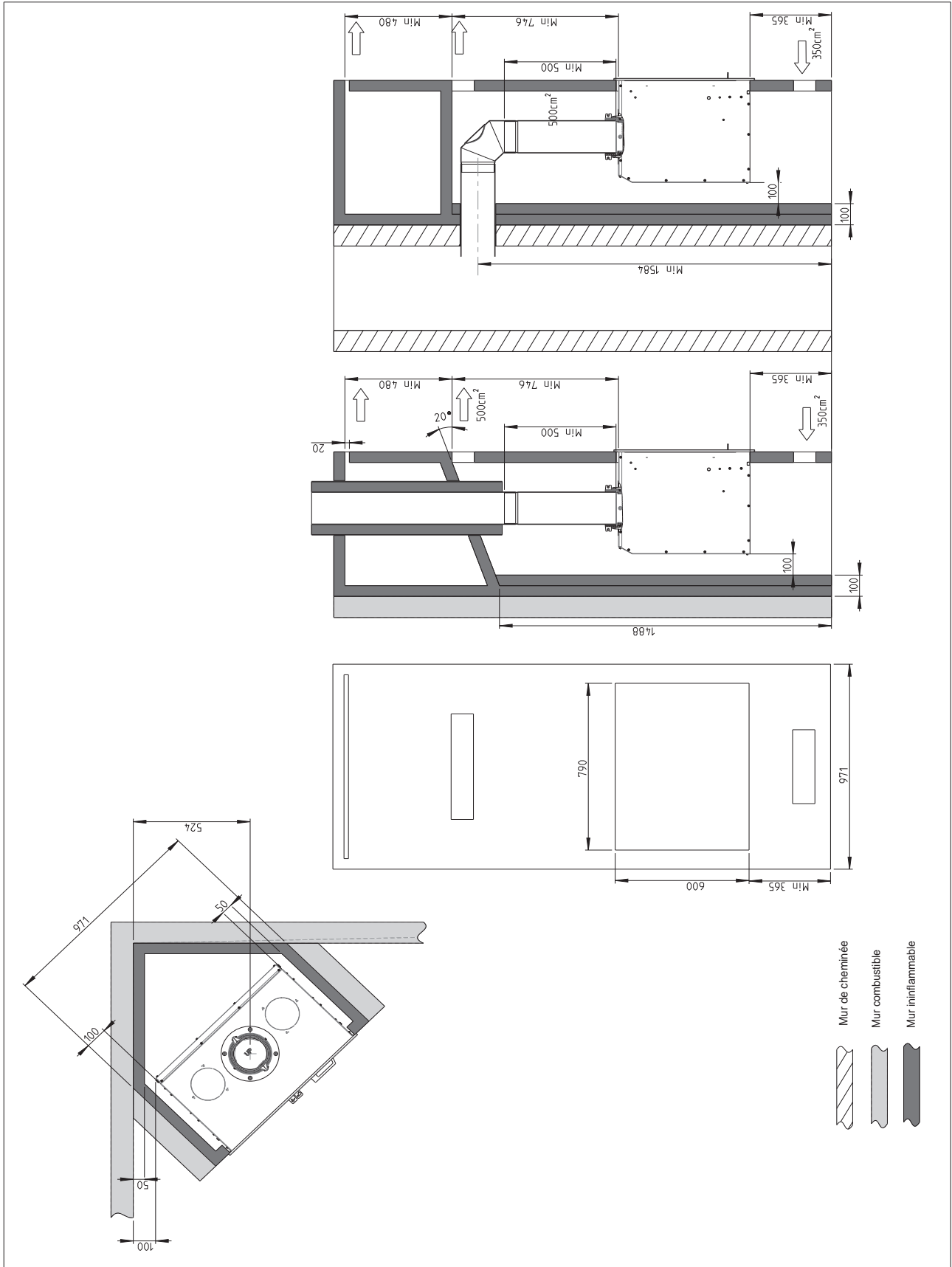
Fig. 1a



900312-P00

Jøtul C620

Fig. 1b



3.0 Sécurité

Remarque : Afin d'assurer un niveau de rendement et de sécurité optimal, l'installation d'un poêle Jøtul doit être confiée à un installateur qualifié.

Toute modification de l'appareil par le distributeur, l'installateur ou l'utilisateur final, risque de compromettre le bon fonctionnement de l'appareil et de ses éléments de sécurité. Ceci s'applique également à l'installation d'accessoires ou d'équipements en option qui ne sont pas fournis par Jøtul. Ce risque peut par ailleurs survenir dans le cas où des pièces ou éléments essentiels pour le bon fonctionnement et la sécurité du poêle, ont été désassemblés ou retirés.

Dans tous ces cas, le fabricant ne pourra être tenu responsable pour le produit et le droit de recours à la garantie sera rendu nul et sans effet.

Laissez la porte fermée pendant l'utilisation (le produit n'est pas approuvé pour une utilisation avec une porte ouverte).

3.1 Fire Prevention Measures

There is a certain element of danger every time you use your fireplace. The following instructions must therefore be followed:

- Les distances minimales à respecter en utilisant l'insert ressortent de la figure 1. La distance par rapport aux matériaux inflammables s'applique à cet appareil de chauffage. Le poêle à bois doit être raccordé à un conduit de fumée homologué CE. La distance entre le conduit de fumée et les matériaux combustibles doit également être respectée.
- Assurez-vous que les meubles et autres matériaux inflammables sont éloignés 1100 mètre de l'installation.
- Laissez le feu s'éteindre de lui-même. Ne tentez jamais d'éteindre le feu avec de l'eau.
- L'appareil devient chaud lorsqu'il est allumé et peut provoquer des brûlures à la personne qui le touche.
- Attendez qu'il soit froid pour retirer les cendres. Les cendres pouvant encore contenir des braises pendant une semaine, il faut les recueillir dans un réceptacle ininflammable.
- Puis de les répandre à l'extérieur ou de les vider dans un endroit ne présentant aucun risque d'incendie.

En cas de feu de cheminée:

- Fermer l'ensemble des trappes et des entrées d'air.
- Maintenir la porte de la chambre de combustion fermée.
- Contacter le service de sécurité incendie.

Suite à un feu de cheminée, l'insert et le conduit doivent être contrôlés par un spécialiste avant toute nouvelle utilisation afin de s'assurer que l'installation est opérationnelle.

3.2 Floor

Assurez-vous que le sol puisse supporter la l'appareil. Voir la section « 2.0 Données techniques » consacrée aux poids spécifiques.

Il est recommandé d'enlever les revêtements situés sous l'insert, si ceux-ci ne sont pas solidaires du sol (parquets flottants).

Jøtul recommande de retirer tout revêtement de sol combustible (linoléum, moquette, etc.) sur la surface couverte par la plaque de sol.

Exigences relatives à la protection des sols en bois

Le sol sous l'insert doit être protégé par une plaque de métal ou de tout autre matériau ininflammable. L'épaisseur minimale recommandée pour l'acier est de 0,9 mm. La distance entre le sol et le casette doit être d'au moins 365 mm (vois Fig. 1b)

Veillez contacter les autorités locales compétentes pour connaître les restrictions d'usage et les exigences liées à l'installation.

Voir la **fig. 1**.

Exigences relatives à la protection d'un revêtement de sol combustible devant le foyer

Le sol devant l'insert doit être protégé par une plaque de métal ou tout autre matériau ininflammable. L'épaisseur Le minimum recommandé pour l'acier est de 0,9 mm. La plaque de sol doit être conforme aux lois et règlements réglementations nationales.

Veillez contacter les autorités locales compétentes pour connaissance des restrictions d'utilisation et des exigences liées à installation.

3.3 Les murs

- Le produit doit être placé de sorte qu'il soit possible de nettoyer le poêle, le conduit de fumée et la sortie de la cheminée.
- Assurez-vous que les meubles et autres matériaux inflammables ne sont pas trop rapprochés du poêle.

Distance minimale par rapport au mur en matériau combustible-voir la **fig. 1a**

Le poêle à bois doit être raccordé à un conduit de fumée homologué CE.

Les réglementations européennes, nationales et locales doivent être respectées en ce qui concerne les distances de sécurité pour les poêles, ainsi que pour les conduits de fumée et les cheminées. Veuillez noter que les conduits de fumée marqués CE peuvent avoir une plus grande distance vis-à-vis des matériaux combustibles que le poêle.

Mur en matériau combustible protégé par un pare-feu/isolation

Distance minimale par rapport au mur en matériau combustible protégé par un pare-feu: Voir la **fig. 1b**

3.4 Le plafond

L'insert est homologué pour une distance entre les ouvertures d'air chaud de la hotte et d'un plafond combustible de 480 mm (minimum). Voir la fig. 1 e et f. Assurez-vous que la ventilation en haut de la hotte de cheminée est saine : par exemple, une ouverture dirigée vers le plafond ou une bouche d'aération Voir la **fig. 1**.

4.0 Installation

Le Jøtul C 620 est un poêle à cassette conçu pour être installé à l'intérieur du foyer d'une cheminée (Fig. 1 B). L'ouverture minimale du foyer doit être de 590 x 780 x 490 mm (H x L x P). Remarque : un espace doit être conservé entre la cassette et le foyer ouvert de la cheminée pour la dilatation thermique du poêle à cassette.

Le produit peut également être placé dans le nouvel habillage d'un foyer (Fig. 1 A). L'habillage du foyer doit avoir une ouverture minimale de 600x790x584 mm (H x L x P). Il est également important de maintenir un espace pour l'isolation autour de l'habillage. Si vous utilisez un cadre large (option), il chevauchera les ouvertures de 681 x 859 mm (H x L).

4.1 Exigences d'isolation

Lors de l'installation de l'insert dans un habillage « maison » comportant des murs combustibles protégés par un matériau isolant, les types suivants et épaisseurs d'isolation peuvent être utilisés :

- Panneau ignifuge 50 mm Jøtul JGFW-5 (conductivité thermique spécifique = $\lambda = 0,06$ W/mK)
- Matelas de protection incendie Rockwool 50 mm ($\lambda = 0,046$ W/mK)
- Siporex 150 mm ($\lambda = 0,144$ W/mK)

D'autres matériaux peuvent être utilisés. Les propriétés d'isolation doivent donc toujours être égales ou supérieures aux exigences de résistance thermique* (R) pour le panneau de 50 mm Jøtul JGFW-5.

- *La résistance thermique (R) indique la tendance d'un élément de construction à résister au passage de la chaleur, en fonction de son épaisseur. La résistance thermique (R) est calculée comme l'épaisseur (d) du matériau divisée par la conductivité thermique de celui-ci.*
 $R = d / \lambda$

La résistance thermique (R) du panneau Jøtul JGFW-5 est $0,83 \text{ m}^2 \cdot \text{K/W}$.

4.2 Amenée d'air frais

L'air utilisé pour la combustion doit être renouvelé en permanence. Ceci est particulièrement important dans une maison avec ventilation mécanique. Plusieurs méthodes sont possibles. Le plus important est de faire arriver l'air dans la pièce où le poêle est installé. Le clapet de mur extérieur doit être placé le plus près possible du poêle et doit pouvoir se fermer lorsque le poêle n'est pas utilisé.

Il convient de se conformer à la réglementation locale et nationale du bâtiment concernant la prise d'air extérieur.

S'assurer régulièrement que les entrées d'air de ventilation de la maison ne sont pas obstruées.

Système de combustion fermé

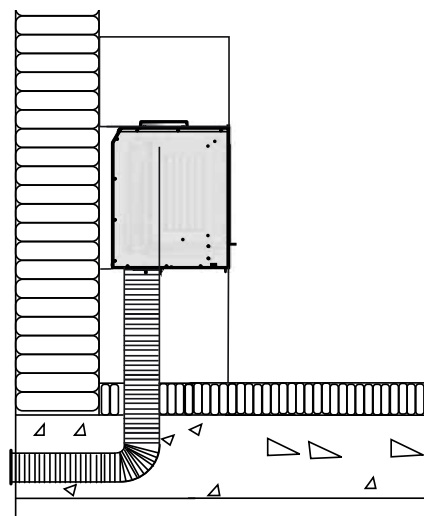
Il convient d'utiliser le système de combustion fermé du poêle dans les habitations de construction récente, étanches à l'air. L'air extérieur de combustion est raccordé par l'intermédiaire d'un tuyau d'aération via le mur ou le sol.

Arrivée d'air

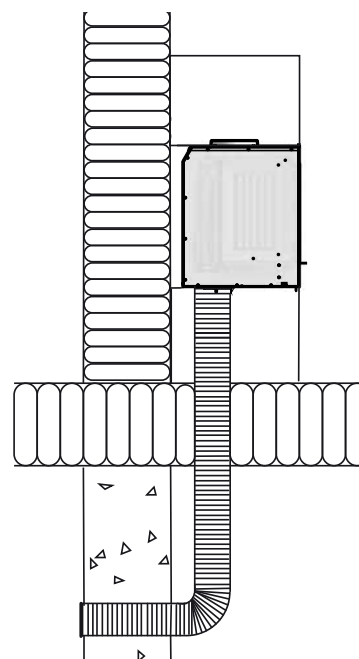
Le volume d'air de combustion des produits Jøtul est d'environ 20 à 40 m³/h. L'arrivée d'air frais peut être raccordée directement au poêle Jøtul C 620 par :

- la base
- la arrière

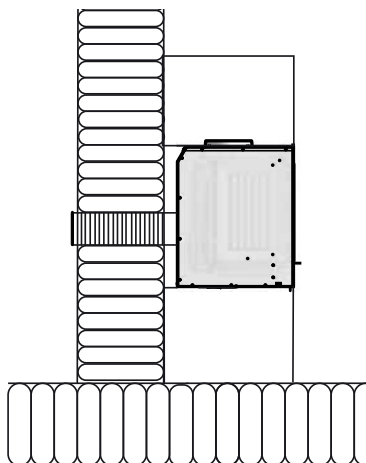
Par le sol et la plaque de sol



Par le sol et la cave



Par un mur



4.3 Circulation de l'air

Si l'installation se fait dans le nouvel habillage d'un foyer . L'air doit pouvoir circuler entre la cassette et le foyer ouvert de la cheminée.

Circulation d'air min.:

Base : ouverture libre de 350 cm².

Sommet : ouverture libre de 500 cm².

Ces mesures permettent de prévenir la surchauffe du poêle, tout en assurant une capacité de chauffage suffisante dans la pièce. L'ouverture doit être placée en haut de l'habillage.

4.4 Ventilateur/distribution de l'air chaud

Un ou deux conduits ayant un diamètre interne de 150 mm peuvent être raccordés pour distribuer l'air chaud depuis la cassette. Les conduits d'air chaud doivent être en matériau ininflammable résistant à la chaleur, comme par exemple des tuyaux flexibles en aluminium. Ces derniers peuvent devenir brûlants ; il est important qu'ils n'entrent pas en contact avec un matériau inflammable. Deux raccords pour les conduits sont fournis avec le produit (les conduits ne sont pas inclus).

L'altération de la couleur de la peinture située au-dessus de la cassette est réduite grâce à l'utilisation de conduites d'air chaud. Un ventilateur (en option) peut être installé à l'intérieur du produit pour augmenter la distribution d'air chaud. Il peut être installé qu'il y ait ou non des conduites pour une distribution d'air chaud.

Voir le mode d'emploi pour l'installation du ventilateur (inclus avec le ventilateur)

4.5 Chimney and flue pipe

- **Le poêle doit être équipé d'un conduit de fumée non isolé d'une hauteur minimale de 500 mm.**
- La section transversale minimale de la cheminée doit correspondre à celle du conduit. Pour calculer la section transversale adéquate de la cheminée, voir « 2.0 Données techniques ». **Remarque : la longueur de cheminée minimale recommandée est de 3,5 m.**
- Le poêle peut être raccordé à une cheminée et à un conduit de fumée approuvés pour les foyers à combustible solide, avec les températures de fumées spécifiées dans la section « 2.0 Données techniques ».

- Pour le tirage de cheminée recommandé, voir « 2.0 Données techniques ». En cas de tirage trop important, installez et utilisez un clapet ou un modérateur de tirage. Si un clapet de tirage est installé, il ne doit en aucun cas bloquer l'intégralité du conduit de fumées. Le clapet doit être facile à utiliser et prévoir un passage libre d'au moins 20 cm² ou 3% de la surface de section (la plus forte des 2 valeurs). La position du clapet doit être aisément repérable. Si un régulateur de tirage est installé, cette obligation ne section de passage libre ne s'applique pas, mais le régulateur doit être facilement accessible pour son nettoyage.
- L'étanchéité de la cheminée et de la trappe de ramonage doit être contrôlée pour éviter les fuites. S'il y a une fuite, moins d'air passera par le poêle. Votre agent local chargé de la sécurité et des incendies peut effectuer une inspection de la cheminée..
- Le raccordement à la cheminée doit être effectué conformément aux instructions d'installation du fournisseur de la cheminée.
- Procédez à un montage d'essai du foyer avant de percer un trou dans la cheminée, afin d'effectuer des repères et d'assurer un montage correct. Voir la Fig. 1 pour les dimensions minimales.
- Il est important que les joints/conduits de fumée soient parfaitement étanches. Des fuites d'air peuvent provoquer des
- Veillez à ce que les raccordements soient souples, afin de prévenir toute formation de fissures lors de l'installation.
- Utilisez un coude de conduit de fumée doté d'une trappe afin de permettre les opérations de ramonage. Un coude de conduit qui modifie la direction des fumées de plus de 45° doit être installé avec une trappe de ramonage. Notez qu'il est possible de ramoner depuis l'intérieur du foyer.
- Remarque : un raccordement correct et étanche est essentiel pour assurer le bon fonctionnement de l'appareil.
- Le poids de la sole foyère ne doit pas être transmis à la cheminée. La sole foyère ne doit pas altérer la mobilité de la cheminée et ne doit pas y être fixée.

4.6 Avant l'installation

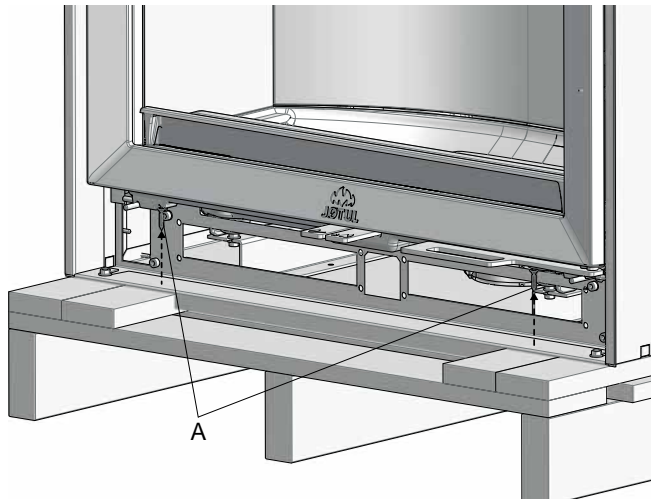
Assurez-vous que le Jøtul C 620 s'adapte à l'intérieur du foyer ou de l'habillage ; la Fig. 1 indique les dimensions minimales. Un espace doit être conservé entre la cassette et le foyer ouvert de la cheminée pour la dilatation thermique du poêle à cassette. Le foyer doit être complètement nettoyé avant l'installation. Il est important de retirer toute trace de suie et de goudron dans le foyer pour éviter d'avoir une odeur désagréable dans la pièce. Utilisez un détergent adapté.

Le produit est lourd ! Prévoir de l'aide pour sa pose et son installation.

Le produit standard est livré en 3 colis.

- Lors du déballage, sortez du foyer le sachet de vis et la boîte contenant le raccord d'air frais, 2 raccords de sortie d'air chaud et le gant de protection.
- Retirez également la grille de foyer et le bloc de bois (utilisé pour le transport) qui se trouvent juste en dessous de la sortie de fumée du produit.
- Vérifiez que le produit n'a pas été endommagé et que les poignées de commande fonctionnent.

Fig. 3



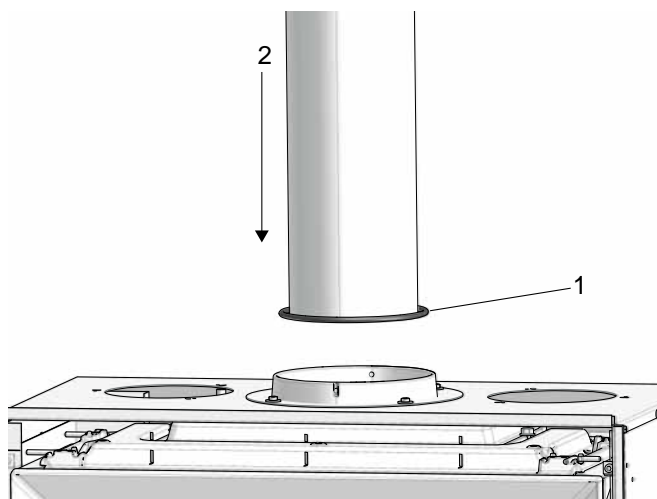
1. Retirer les vis (A) qui maintiennent la cassette sur la palette..

4.7 Installation

Une fois détachée de la palette, la cassette est maintenant prête à être installée dans un habillage approprié.

Si aucun raccordement d'air extérieur n'est nécessaire et qu'il est facile d'accéder à l'habillage situé au-dessus de la cassette, celle-ci peut être insérée dans l'habillage. Installez le conduit de fumée avec ou sans adaptateur (fig 4/5), puis installez la cassette dans l'habillage (fig 13b + 15)

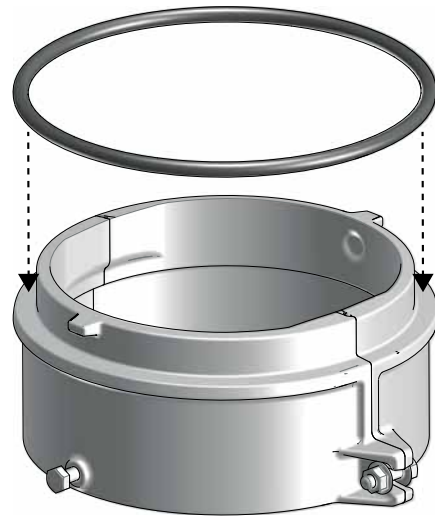
Fig. 4



1. Retirez le papier de protection du joint fourni. Fixez le joint au bas du conduit de fumée en le repliant vers l'intérieur et vers l'extérieur autour du conduit.
2. Insérez le conduit de fumée dans la sortie de fumée.

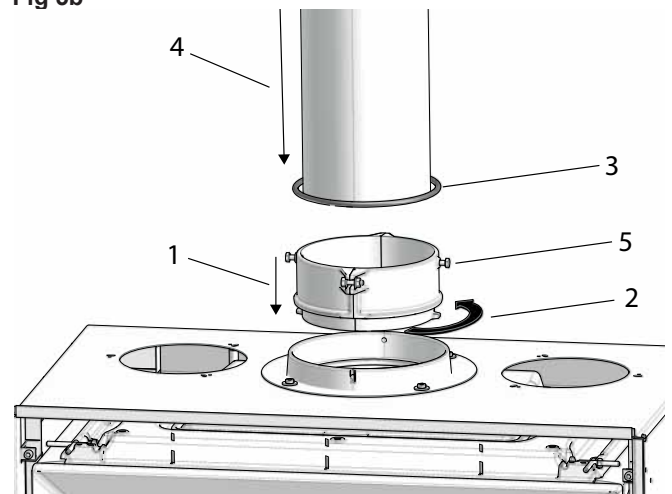
Assemblez le conduit de fumée avec l'adaptateur (Ø150)

Fig. 5a



1. Retirez le papier de protection du joint fourni. Montez le joint sur le bas de l'adaptateur. Le joint doit suivre le bord extérieur.

Fig 5b



1. Insérez l'adaptateur dans la sortie de fumée.
2. Tournez l'adaptateur jusqu'à ce qu'il soit fermement fixé à la sortie de fumée.
3. Retirez le papier de protection du joint fourni. Fixez le joint au bas du conduit de fumée en le repliant vers l'intérieur et vers l'extérieur autour du conduit.
4. Insérez le conduit de fumée dans l'adaptateur.
5. Serrez les vis des deux côtés de l'adaptateur.

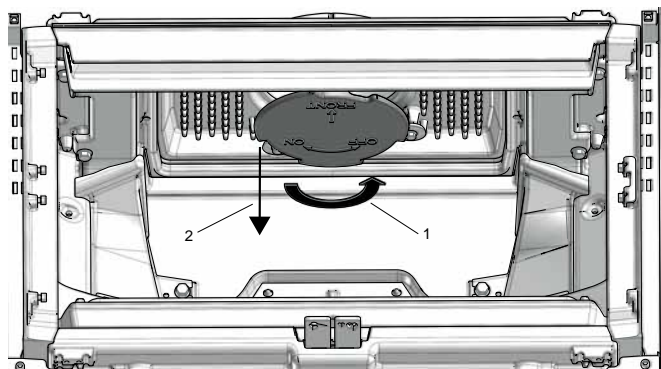
Le produit peut maintenant être installé dans l'habillage, avec un cadre étroit ou large (voir fig. 13b et 15).

Installation avec accès limité à l'intérieur de l'habillage

Si l'accès au dessus du produit dans l'habillage est limité lors de l'assemblage, la sortie de fumée peut être installée depuis l'intérieur de la chambre de combustion. L'adaptateur est ensuite fixé au conduit de fumée dans l'habillage, puis ensuite à la chambre de combustion de l'intérieur, lorsque la cassette est en place.

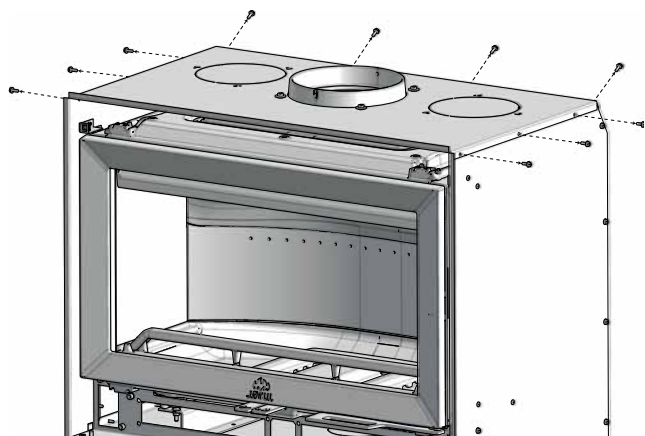
Commencez par retirer le déflecteur chicane et le déflecteur d'évacuation (voir fig. 37-39).

Fig. 6



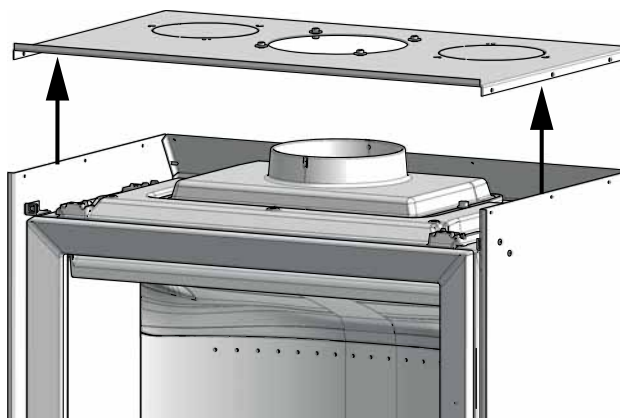
1. Soulevez et tournez le déflecteur d'évacuation supérieur dans le sens de la flèche pour le détacher.
2. Enlever le déflecteur supérieur
3. Lors du remontage, suivez la même procédure dans l'ordre inverse.

Fig. 7a



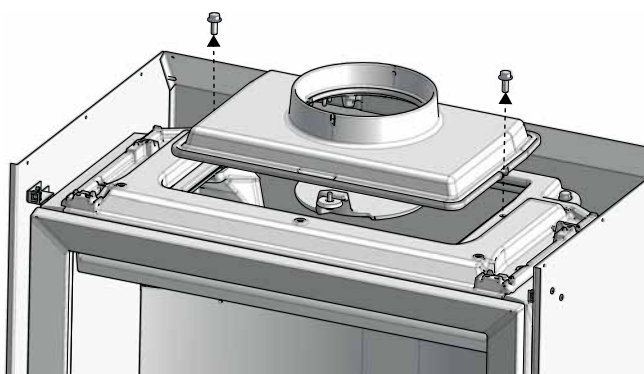
1. Dévissez les vis autour du haut de la cassette.

Fig. 7b



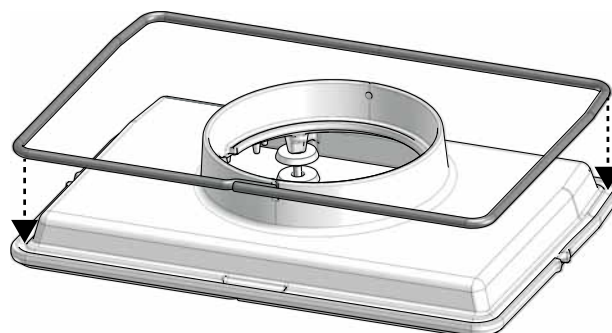
2. Enlever le haut
3. Lors du remontage, suivez la même procédure dans l'ordre inverse.

Fig. 8



1. Dévissez les deux vis et retirez la sortie de fumée

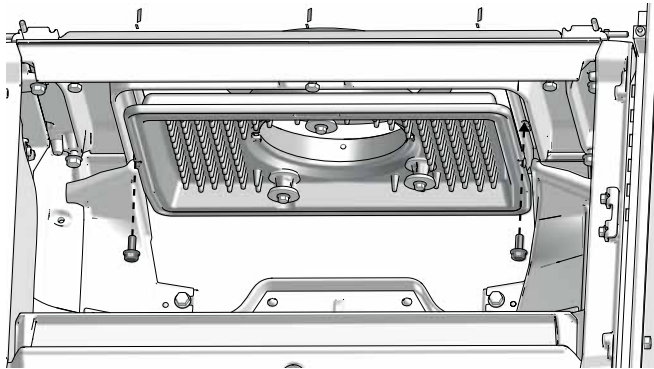
Fig. 9



1. Retirez le papier protecteur du joint fourni et placez-le sur la sortie de fumée

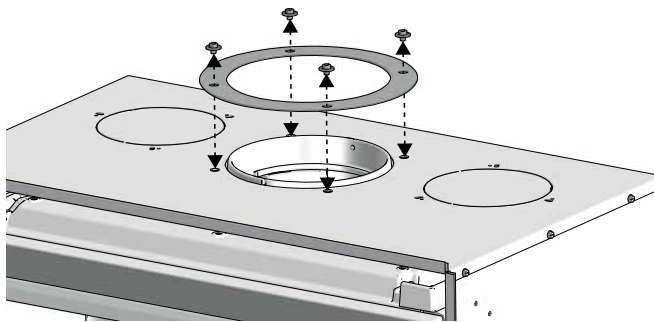
FRANCAIS

Fig. 10



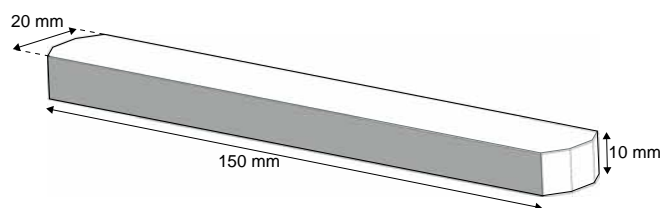
1. Placez la sortie de fumée dans la chambre de combustion et vers le haut à travers l'ouverture. Fixez-la avec les vis de la fig 8.

Fig. 11



2. Dévissez les 4 vis et rondelles de la plaque supérieure de la cassette.
3. Placez l'anneau métallique qui se trouve dans le carton fourni avec le poêle, autour de la sortie de fumée et fixez-le avec les vis et les rondelles. Ne serrez pas complètement les vis jusqu'à ce que vous sachiez qu'aucun réglage supplémentaire n'est nécessaire.

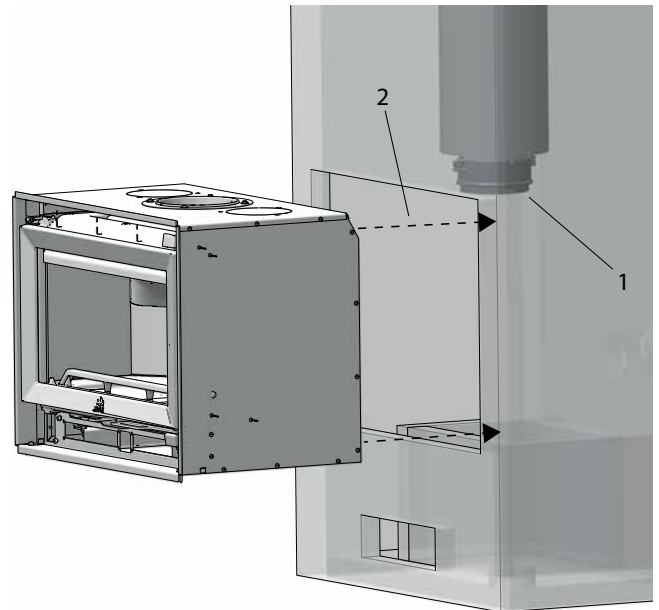
Fig. 12



1. Découpez une petite pièce de bois, aux dimensions de la figure ci-dessus. Cela servira d'outil pour fixer l'adaptateur à la sortie de fumée de l'intérieur de la chambre de combustion.

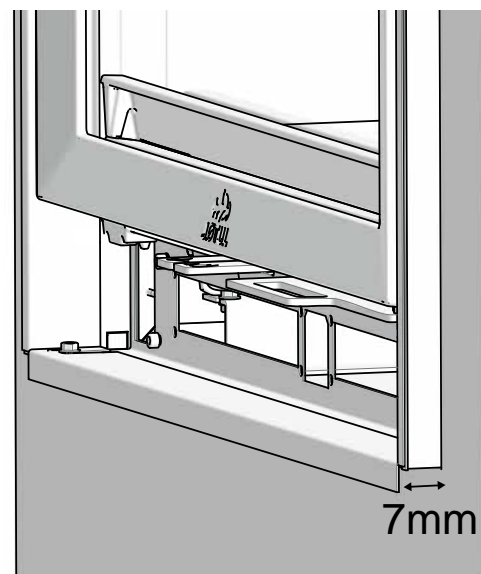
L'adaptateur doit être raccordé au conduit de fumée avant que la cassette ne soit placée dans l'habillage. Voir la figure 5a et les étapes 3 à 5 de la figure 5b.

Fig. 13a



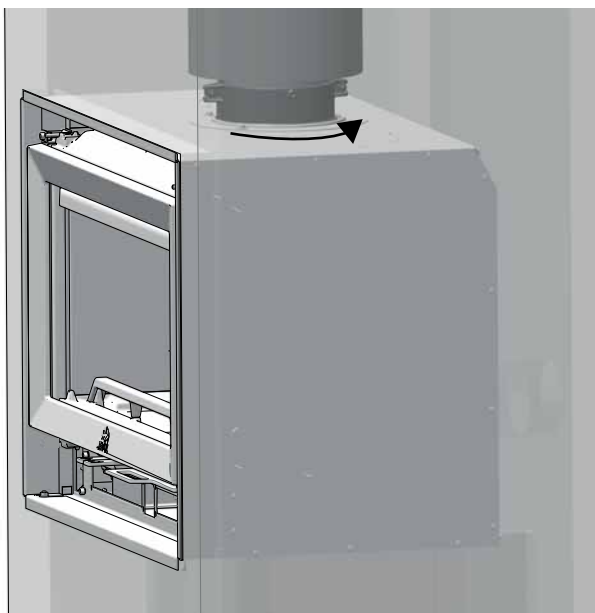
1. Fixez la pièce de bois dans l'adaptateur en le mettant en tension.
2. Placez la cassette dans l'habillage dans la bonne position

Fig. 13b



3. Assurez-vous qu'il y a un espace de 7 mm entre le bord de la cassette et l'habillage.

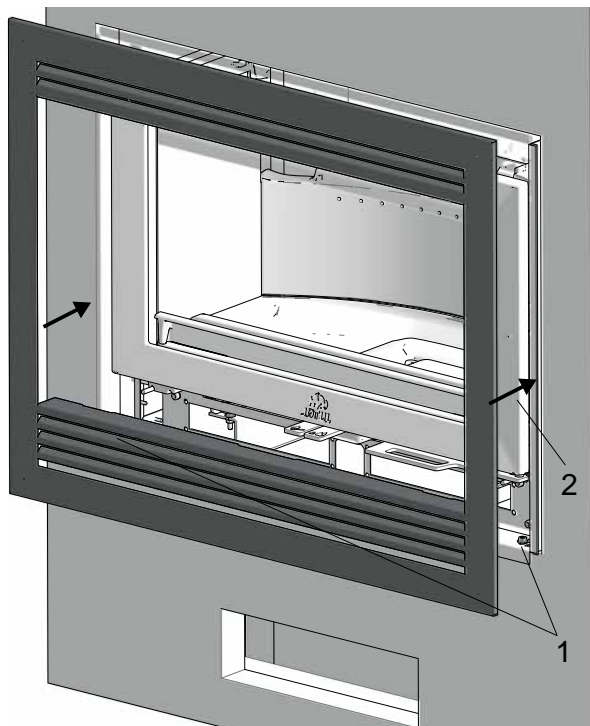
Fig. 14



1. Fixez l'adaptateur de l'intérieur en le tournant, à l'aide de la pièce de bois. Retirez la pièce de bois une fois l'unité assemblée.

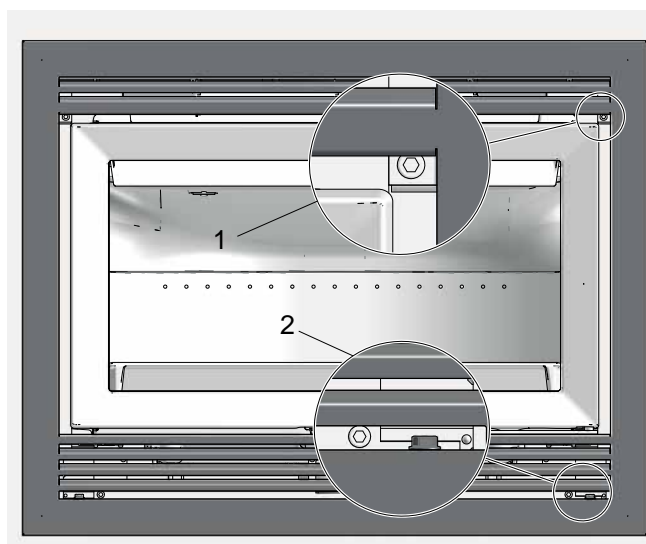
Réinstallez le déflecteur supérieur (fig. 6), le déflecteur d'évacuation (fig. 39) et le déflecteur chicane (fig. 38). Remontez la plaque supérieure de la cassette (fig. 7).

Fig. 15a



1. Desserrez les deux écrous en bas à l'avant de la cassette.
2. Poussez le cadre en place.

Fig. 15b

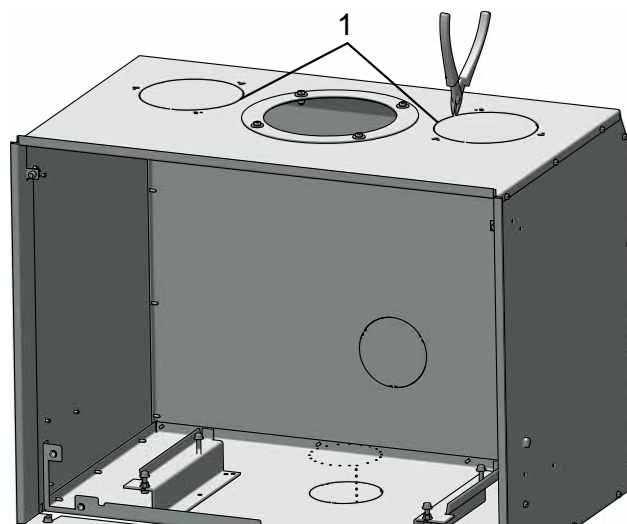


3. Fixez le haut du cadre à l'aide de deux vis de 20 mm de long fournies dans le sachet de vis (identiques des deux côtés du cadre), à l'aide d'une clé six pans de 5 mm.
4. Serrez les deux écrous situés au bas de la cassette (identiques des deux côtés du cadre) à l'aide d'une clé de 10 mm..

Distribution d'air chaud - optionnel

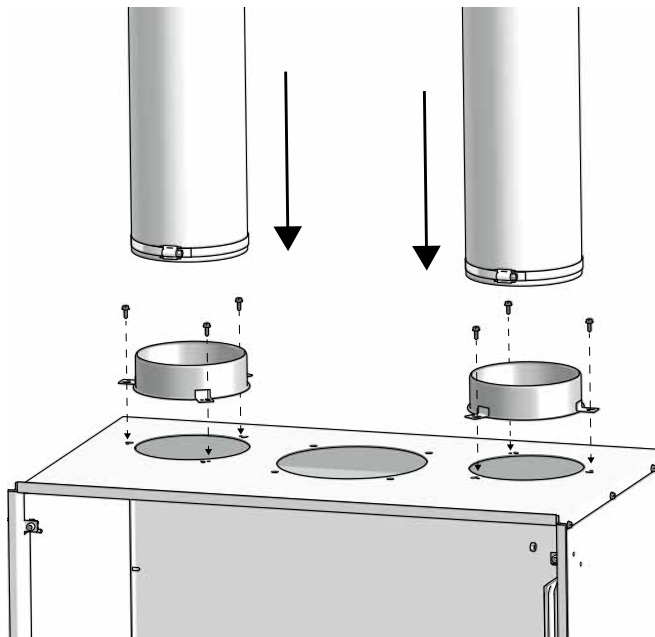
Voir le chapitre 4.4 pour des informations sur la distribution d'air de convection / d'air chaud. Si nécessaire, retirez l'insert de la cassette lors du raccordement de la distribution d'air chaud (voir fig. 7 et 17-19).

Fig. 16a



1. Utilisez une pince pour retirer les couvercles des conduits d'air chaud.

Fig. 16b



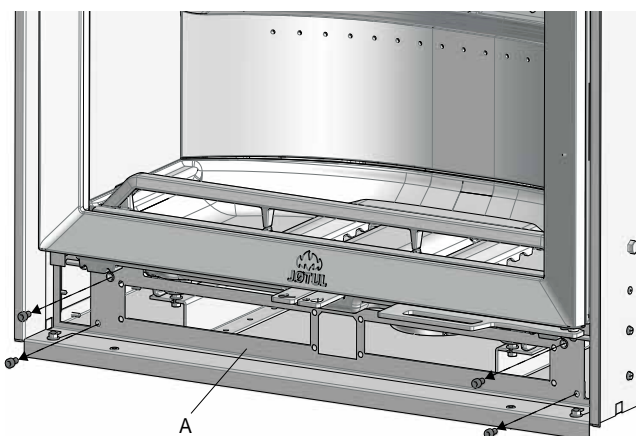
2. Fixez les sorties d'air chaud sur la cassette à l'aide des vis se trouvant dans le sachet de vis.
3. Placez les tuyaux flexibles à l'extérieur des prises et serrez le collier avec un tournevis ou une clé à douille de 7 mm. Les vis peuvent également être montées de l'intérieur.

4.8 Montage du raccord d'arrivée d'air frais

Il existe deux manières d'installer le raccord d'air extérieur : par l'arrière ou le fond. Les deux options nécessitent le retrait de l'insert de la cassette lors de l'installation.

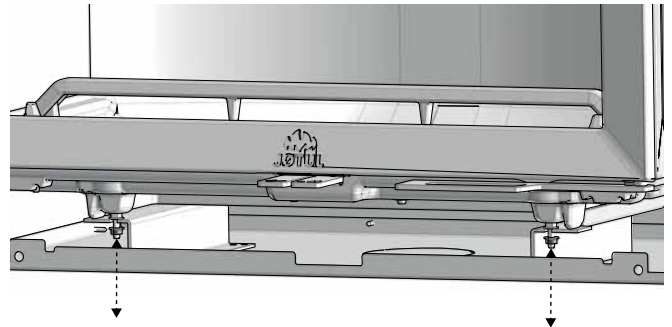
Commencez par retirer le haut de la cassette, comme indiqué sur la fig. 7.

Fig 17



1. Desserrez les 4 vis qui fixent le support avant (A) avec une clé six pans de 5 mm.
2. Inclinez le support avant vers l'extérieur (A).

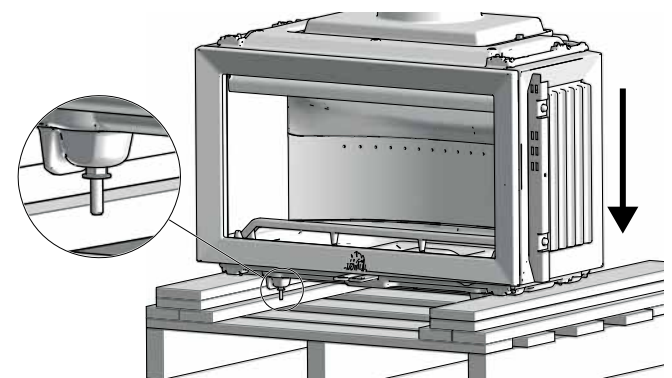
Fig. 18



1. Desserrez les deux écrous situés au bas de la chambre de combustion pour libérer celle-ci de la cassette.

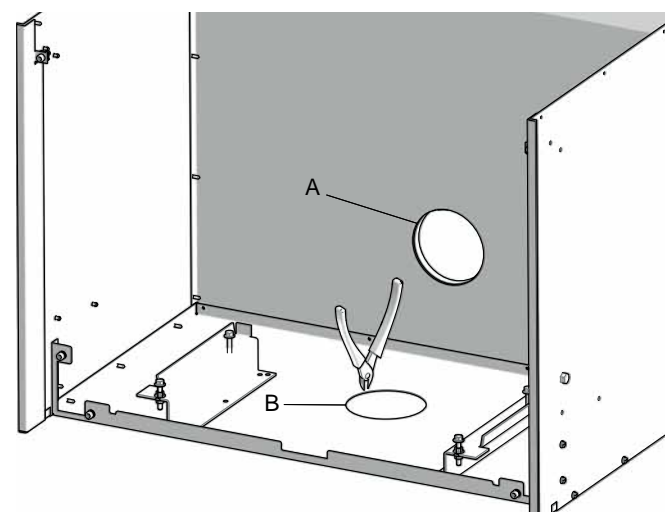
Soulevez délicatement l'insert pour le sortir de la cassette et placez-le sur une surface appropriée (voir fig. 19).

Fig. 19



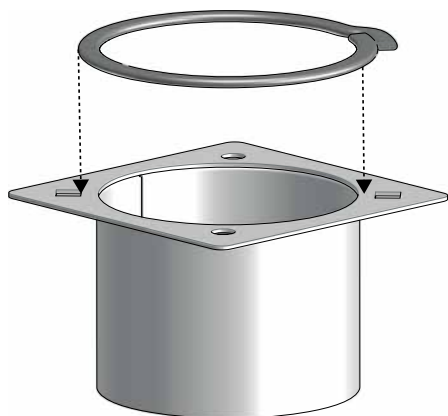
1. Placez l'insert sur une surface appropriée, en veillant à ce qu'il ne repose pas sur les boulons situés au bas de la chambre de combustion. Cela peut être fait en utilisant la palette et les matériaux en bois fournis avec le produit.

Fig. 20



1. Retirez le couvercle de l'amenée d'air extérieur (arrière (A) ou inférieur (B)) avec une pince.

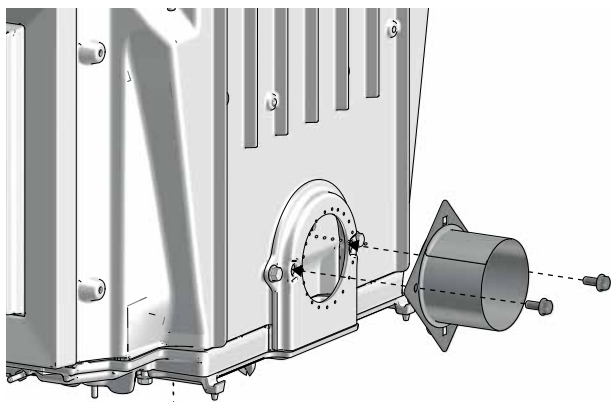
Fig. 21



1. Retirez le papier de protection du joint fourni. Placez le joint sur l'adaptateur d'amenée d'air extérieur.

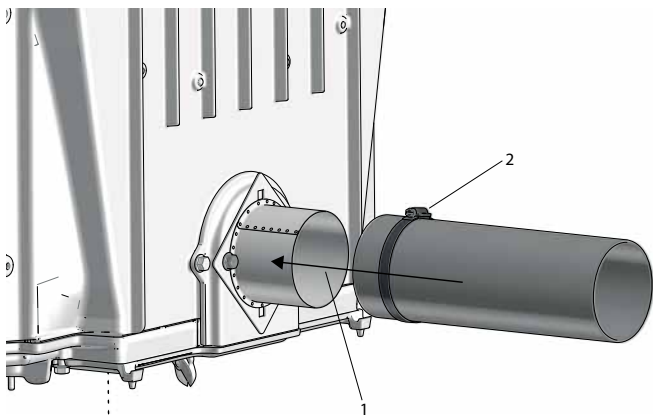
Amenée d'air frais - sortie arrière

Fig. 22



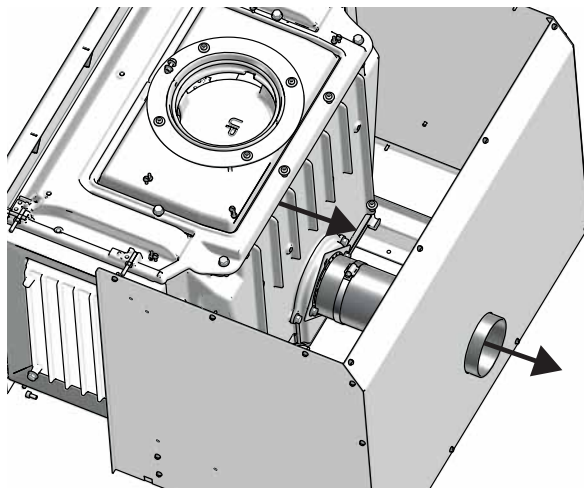
1. Montez l'adaptateur d'amenée d'air extérieur sur la sortie arrière à l'aide des vis incluses dans le sachet de vis (utilisez une clé de 13 mm).

Fig. 23



1. Placez un tuyau flexible à l'extérieur de l'adaptateur d'amenée d'air extérieur.
2. Serrez le collier de serrage avec un tournevis ou une clé à douille de 7 mm.

Fig. 24

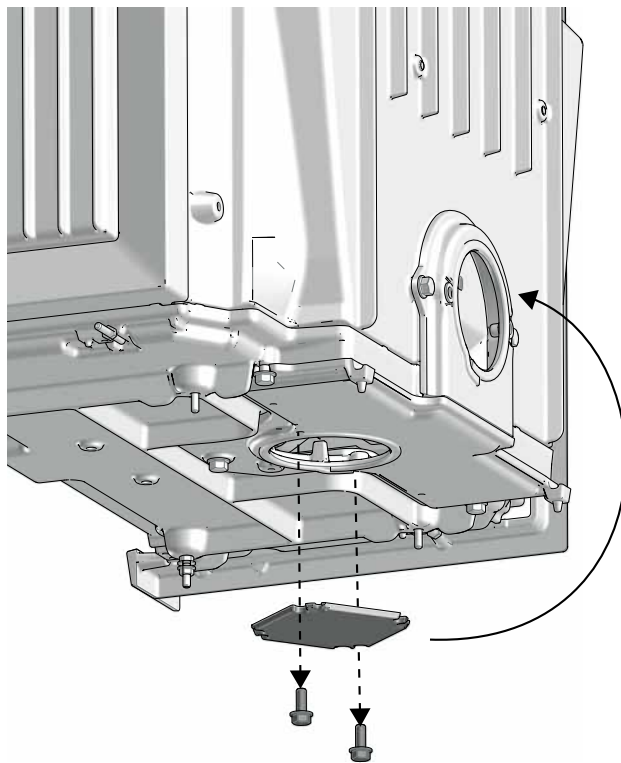


1. Placez l'insert dans la chambre de convection, avec le tuyau à travers la sortie arrière. Le tuyau flexible peut également être installé de l'extérieur de la chambre de convection.

Le support en façade peut maintenant être réinstaller (voir fig.17).

Amenée d'air frais - sortie inférieure

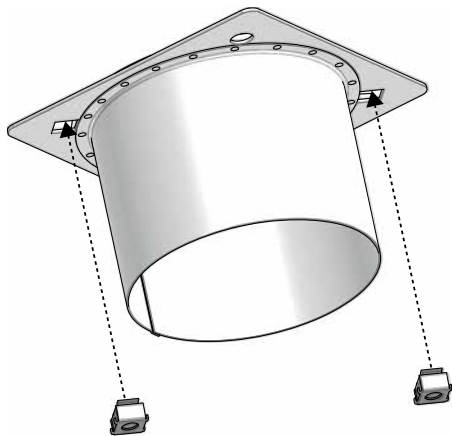
Fig. 25



1. Déplacez le couvercle d'air extérieur de la sortie inférieure à la sortie arrière.

FRANCAIS

Fig. 26



1. Fixez les écrous carrés contenus dans le sachet de vis sur l'adaptateur pour air extérieur.

L'adaptateur d'amenée d'air extérieur doit être fixé de l'intérieur de la chambre de combustion. Pour accéder au fond de la chambre de combustion, un certain nombre de pièces doivent être retirées. Commencez par retirer le pare-bûches (fig. 36), les plaques de doublage (fig. 37), le couvercle de ventilation (fig. 40a) et le fond intérieur (fig. 40b).

Fig. 27a Enlèvement des tapis isolants

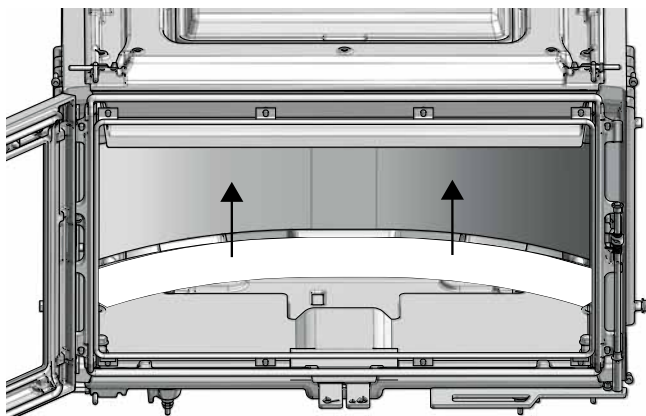


Fig. 27b

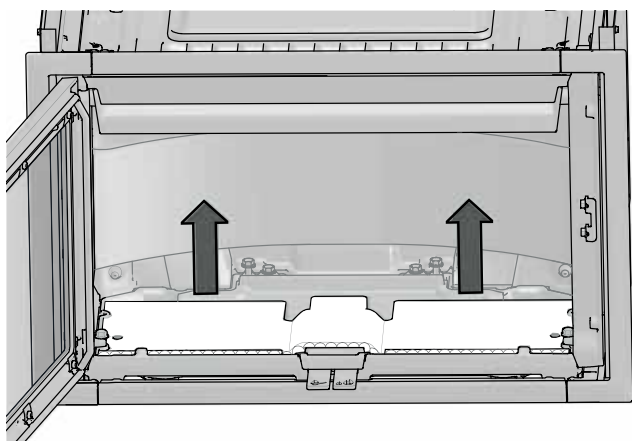
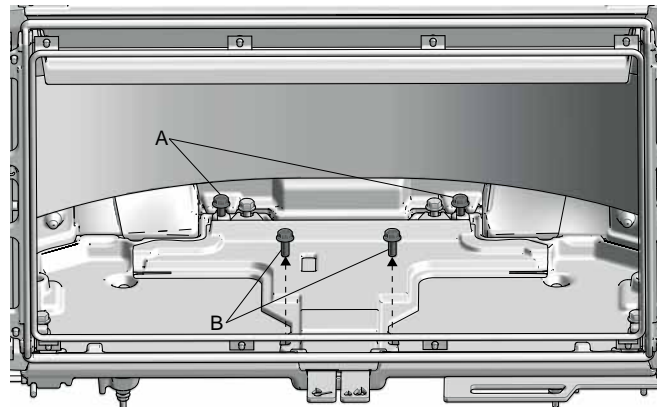
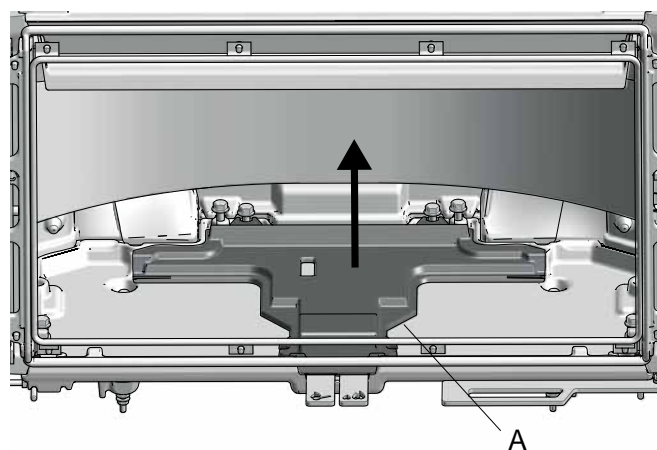


Fig. 28a



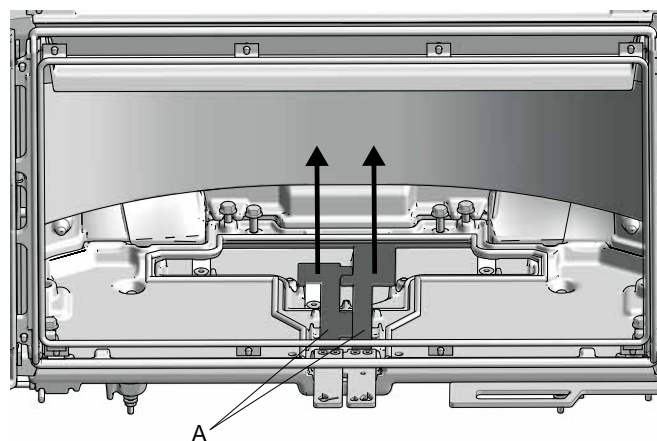
1. Desserrez les deux vis arrière (A), sans les retirer.
2. Dévissez les deux vis avant (B).

Fig. 28b



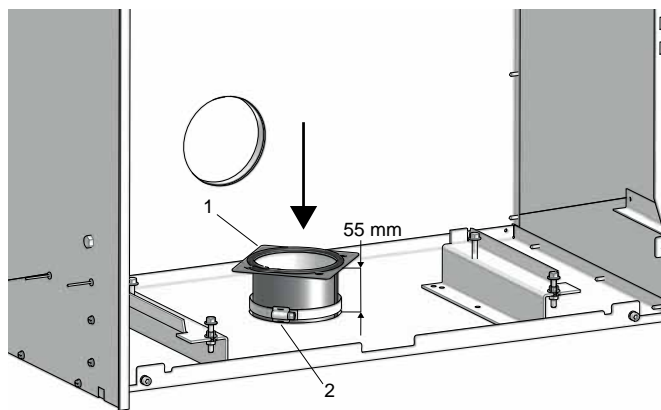
3. Soulevez et inclinez le bas de l'amenée d'air extérieur (A).

Fig. 29



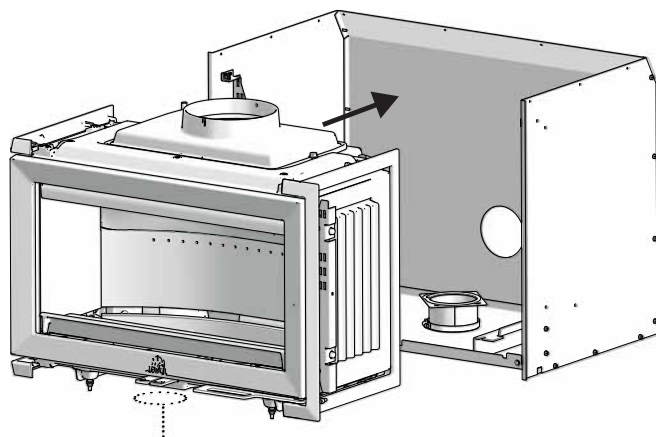
1. Retirez les clapets d'aération (A).

Fig. 30



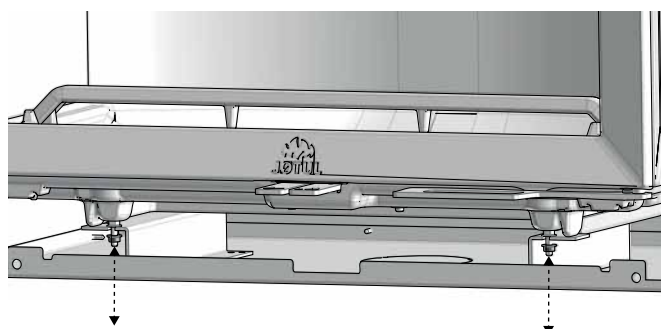
1. Placez l'adaptateur d'amenée d'air extérieur avec le collier de serrage sur la sortie inférieure de la cassette.
2. Assurez-vous que la distance entre la sortie inférieure et la partie supérieure de l'adaptateur est d'environ 55 mm. L'adaptateur doit reposer sur le collier.

Fig. 31



1. Remontez l'insert dans la cassette.

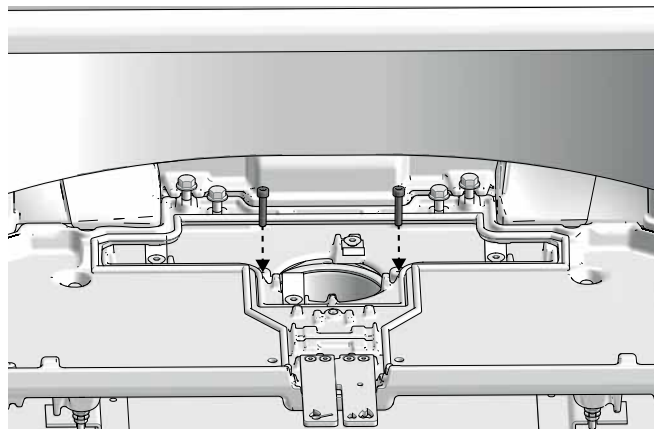
Fig. 32



1. Serrez les deux écrous situés au bas de la chambre de combustion afin de la fixer dans la cassette.

Le support en façade peut maintenant être réinstaller.

Fig. 33



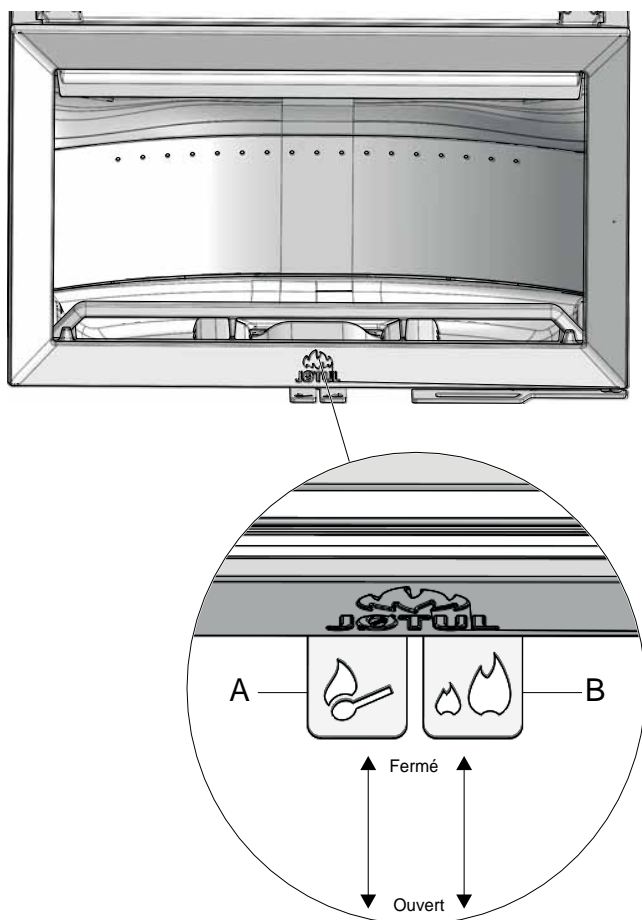
1. Fixez l'adaptateur d'amenée d'air extérieur avec deux vis de 25 mm de l'intérieur de la chambre de combustion, au moyen d'une clé six pans de 5 mm. Les vis se trouvent dans le sachet de vis.

Remontez toutes les pièces dans la chambre de combustion et suivez la même procédure dans l'ordre inverse.

4.9 Test de fonctionnement

Inspectez toujours les poignées de commande une fois l'appareil monté. Les éléments mobiles doivent fonctionner librement.

Fig. 34



Le poêle Jøtul C 620 comporte les commandes suivantes:

Registre d'allumage (Fig. 34A)

Registre d'air frais (Fig. 34B)

5.0 Utilisation quotidienne

Risque de mauvaises odeurs lors de la première utilisation du poêle!

Lors de la première utilisation, le foyer peut émettre un gaz irritant et dégager des odeurs désagréables. Ceci se produit lorsque la peinture extérieure sèche. Ce gaz n'est pas toxique, mais ouvrez toutefois une fenêtre afin de bien aérer la pièce. Maintenez un tirage élevé dans le foyer jusqu'à ce qu'aucun gaz, fumée ou odeur ne puisse être détecté.

Gardez la porte fermée pendant l'utilisation (le produit n'est pas approuvé pour une utilisation avec la porte ouverte).

S'il vous plaît noter! Certaines parties du poêle à bois, en particulier les extérieurs surfaces, deviennent chaudes pendant l'utilisation. S'il vous plaît faire preuve de diligence!

Conseils de chauffage

Remarque : Il est recommandé d'entrer les bûches qui ont été stockées à l'extérieur ou dans une pièce froide 24 heures avant de les brûler afin de les amener à température ambiante.

Il existe différentes manières de chauffer le poêle, mais soyez toujours attentif à ce que vous y mettez. Voir le chapitre intitulé « La qualité du bois ».

Remarque Une combustion avec un apport d'air trop faible peut entraîner une combustion médiocre, une efficacité moindre, des émissions de particules élevées, du noir de carbone et d'autres composés dangereux pour la santé et l'environnement.

5.1 La qualité du bois

Par bois de qualité, nous entendons les essences les plus courantes telles que bouleau, épicéa et pin ou hêtre, chêne, érable. Suivant les pays.

Les bûches doivent sécher afin que leur teneur en eau ne dépasse pas 20 %.

Pour cela, il convient de couper le bois à la fin de l'hiver. Fendez-les et empilez-les pour permettre à l'air de bien circuler. Recouvrez les piles afin de protéger les bûches de la pluie. Entrez les bûches dans la maison au début de l'automne en vue de leur utilisation pendant l'hiver qui suit. Soyez particulièrement attentif à ne jamais brûler les matériaux suivants dans le poêle :

- Les déchets ménagers, les sacs en plastique, etc.
- Le bois peint ou imprégné (très toxique).
- Le bois contreplaqué
- Le bois qui est resté dans l'eau
- Les chutes de menuiserie dont le bois est trop sec.
- Le bois de récupération de chantier

Ceux-ci risquent d'endommager l'appareil et ce sont aussi des polluants.

Si vous utilisez des bûches de bois compressé, réduisez la quantité de moitié par rapport au bois en bûches.

Remarque : N'employez jamais de l'essence, de la paraffine, de l'alcool (méthylique) ou tout liquide similaire pour allumer le feu. Vous risqueriez de vous blesser sérieusement et d'endommager l'appareil.

5.2 Consommation de bois

Le Jøtul C 620 a une puissance nominale d'env. **8 kW**. Utilisation de bois avec puissance thermique nominale : Environ **2,46 kg/h**. La dimension des bûches devrait être de :

Pour le bois d'allumage:

Longueur: 20-30 cm

Diamètre: 6-10 cm

Quantité par flambée: 3 pièces

Pour le bois de chauffage (fendu) :

Longueur: Ca 24-30 cm

Fréquence d'approvisionnement en bois: Env. 49 minutes

Taille du feu: 1,92 kg (efficacité nominale)

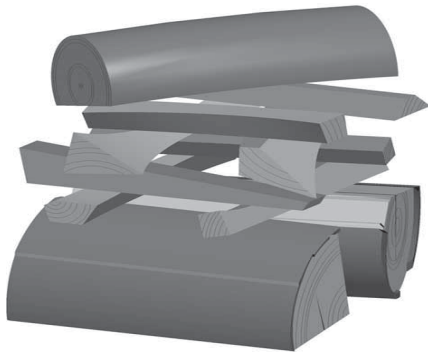
Nombre de bûches à chaque réapprovisionnement: 3

Les résultats des tests donnés ont été obtenus en chargeant 3 bûches (en triangle) de 24 cm, poids total de 1,92 kg. L'évent d'allumage est réglé sur environ 63% d'air et l'évent est réglé sur environ 75% d'air.

5.3 Allumage

- Ouvrez les registres d'air frais et d'allumage en tournant les clapets vers la droite (utilisez un gant ou autre protection pour éviter de vous brûler si les clapets sont chauds).
- Placer deux bûches de taille moyenne à l'entrée et au fond de la plaque de source. N.B. : pour éviter que de la suie ne se dépose sur le verre, veillez à ce que les bûches ne touchent pas le verre lorsqu'elles sont placées dans l'appareil (fig. 35).
- Froissez quelques feuilles de papier journal, jamais de papier glacé (ou utilisez de l'écorce de bouleau) entre ces deux bûches, entrecroisez du bois d'allumage sur ce papier, puis mettez-y le feu.
- Augmentez graduellement la taille du feu.
- Enfin, placez une bûche de taille moyenne sur le dessus de la pile.
- Régler ensuite la vitesse de combustion sur la capacité de chauffage souhaitée en ajustant registre d'air frais
- Fermez la porte. La porte doit toujours être fermée lorsque le feu est allumé..

Fig. 35



Ajouter du bois

Alimentez le poêle régulièrement mais n'ajoutez que de petites quantités de combustible à la fois. Si la combustion est trop vive, la contrainte thermique dans la cheminée risque de devenir excessive. Faites preuve de modération. Évitez les feux couvants car ils sont les plus polluants. Le feu est parfait lorsque le bois brûle bien et que la fumée qui sort de la cheminée est pratiquement invisible. La position idéale est l'entrée d'air de combustion ouverte à moitié.

Risque de surchauffe

Ne surchauffez jamais le poêle.

La surchauffe est provoquée par un excès de combustible et/ou d'air qui donne lieu à un dégagement de chaleur trop important. Lorsque le poêle devient incandescent par endroits, c'est un signe incontestable de surchauffe. Si le cas se produit, réduisez immédiatement l'apport d'air frais. En cas de surchauffe, la garantie ne pourrait pas être assurée.

Si vous pensez que la cheminée tire mal (tirage excessif ou insuffisant), contactez un spécialiste. Pour plus de détails, reportez-vous à «4.0 Installation» (**Cheminée et conduit d'évacuation**).

Condensation

Il est possible de constater l'apparition de condensation dans la chambre de combustion et ou le conduit des fumées. Cela peut se produire suite à la combustion d'un bois humide ou bien à une différence de température importante entre le foyer/conduit et leur environnement.

Un écoulement de condensation prend la forme d'un liquide noir. Cet écoulement doit être nettoyé sans attendre pour éviter toute coloration du foyer, du sol, des murs ou des meubles sur lesquels le liquide aurait pu couler. Il est important d'avoir une bonne combustion (feu vif) pour éviter toute condensation (La combustion dégradée créée par la fermeture des arrivées d'air lorsque la combustion n'est pas terminée est à proscrire).

5.4 Utilisation sous différentes conditions météorologiques

L'effet du vent sur la cheminée peut, selon sa violence, influencer beaucoup sur le fonctionnement du poêle et nécessiter une régulation de l'arrivée d'air pour obtenir une bonne combustion. Il peut également être judicieux de monter un clapet sur le tuyau de manière à pouvoir réguler ainsi le tirage de la cheminée en fonction des sollicitations changeantes du vent.

Le brouillard peut aussi avoir une grande influence sur le tirage de la cheminée nécessitant d'autres réglages de l'arrivée d'air frais pour assurer une bonne combustion.

5.4 Cheminée

Le conduit de cheminée est un élément essentiel au bon fonctionnement d'un chauffage à bois.

Le tirage de la cheminée génère une dépression dans le poêle. Cette dépression évacue la fumée hors du poêle et, à travers le registre d'air de combustion, aspire de l'air qui alimente le processus de combustion.

L'air de combustion vient aussi balayer la vitre et y empêche ainsi le dépôt de suie.

Le tirage de la cheminée est généré par la différence de température entre l'intérieur de la cheminée et l'extérieur de la maison. Plus cette différence de température est élevée, meilleur est le tirage de la cheminée. Il est donc important que la cheminée atteigne sa température de service rapidement avant que soient réduites l'entrée d'air et la combustion dans le poêle (une cheminée en maçonnerie met plus de temps pour atteindre sa température de service qu'une cheminée en acier isolé).

Les jours où les conditions météorologiques et le vent sont défavorables, il est donc particulièrement important que la température de service de la cheminée soit atteinte le plus vite possible. Les flammes doivent vite être attisées. Conseil pratique : Fendez des bûchettes de bois particulièrement fines ; utilisez des blocs d'allumage supplémentaires etc.

Remarque : Après un arrêt prolongé de l'utilisation du poêle, il importe de vérifier que le conduit de cheminée n'est pas plus ou moins bouché.

FRANCAIS

6.0 Maintenance

6.1 Nettoyage de la vitre

L'accumulation de suie sur la vitre est toutefois inévitable, la quantité de dépôts dépendant du taux d'humidité du combustible, des conditions de tirage et du réglage de l'entrée d'air supérieure. Une grande partie de cette suie est normalement consommée lorsque l'entrée d'air est ouverte à son maximum et en présence d'un feu vif dans le poêle.

Un bon conseil ! Pour les opérations courantes de nettoyage, humidifier un essuie-tout ou du papier journal ou une simple éponge à l'eau chaude. Frotter la vitre avec ce moyen puis rincer à l'eau claire et essuyer. Pour les tâches persistantes, il est recommandé d'utiliser un nettoyant à vitres. Ne jamais projeter le produit directement sur la vitre : il risque de détériorer les fixations de la vitre et le joint, ce qui peut entraîner la cassure de la vitre.

6.2 Removing the ashes

- Ne retirez les cendres qu'une fois le foyer froid.
- Utiliser une pelle ou tout autre équivalent pour retirer les cendres. Toujours laisser une couche de cendres au fond du foyer pour le protéger.
- Les cendres doivent être placées à l'extérieur dans un récipient en métal.

6.3 Nettoyage et élimination de la suie

Pendant l'utilisation, de la suie peut se déposer sur les surfaces internes du foyer. La suie est un bon isolant. Elle réduit donc le rendement thermique du foyer. Utilisez une brosse métallique pour retirer tout dépôt de suie dans le produit.

Laissez régulièrement brûler vivement le feu afin d'éviter tout dépôt de goudron et d'eau dans le foyer. Nettoyez l'intérieur du produit une fois par an pour assurer le meilleur rendement thermique. Cette opération peut être réalisée lors du ramonage des conduits et de la cheminée.

6.4 Ramonage des conduits d'évacuation vers la cheminée

Le ramonage des conduits doit s'effectuer à partir de la trappe de ramonage ou depuis l'intérieur du produit. Retirez ensuite les déflecteurs chicane et supérieur.

6.5 Inspection du poêle

Jøtul recommande que l'utilisateur contrôle personnellement et soigneusement le poêle suite à une opération de ramonage/nettoyage. Vérifiez l'absence de fissures sur toutes les surfaces visibles. Vérifiez également l'état et la bonne installation de tous les joints. Tout joint montrant des signes d'usure, de déformation ou de dureté doit être remplacé.

Nettoyez soigneusement les gorges de joint, appliquez de la colle céramique (disponible auprès des distributeurs Jøtul), puis insérez correctement le joint sans tirer dessus. Le joint sèche rapidement.

6.6 Entretien de la surface externe

Les produits peints peuvent changer de nuance après plusieurs années d'utilisation. Avant d'appliquer une nouvelle couche de peinture, brossez et lavez la surface peinte pour en éliminer toutes les particules détachées.

7.0 Entretien

Toute modification non autorisée du produit est interdite. Utilisez uniquement des pièces de rechange d'origine.

Utilisez les outils avec précaution.

7.1 Remplacement de la plaque de doublage

Fig. 36 Retirez le garde-bûches

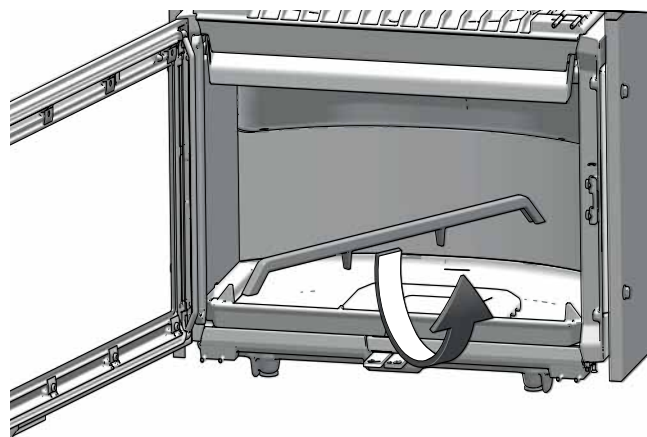


Fig. 37a

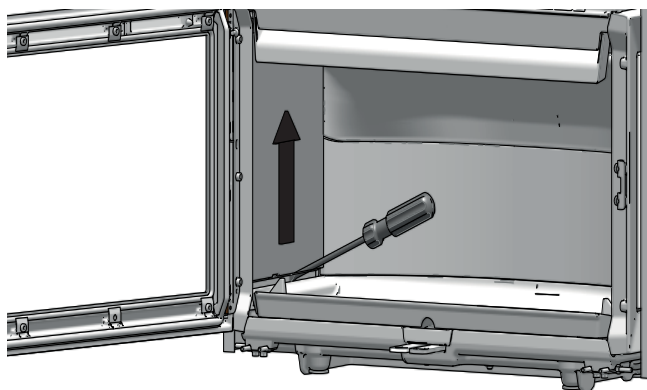
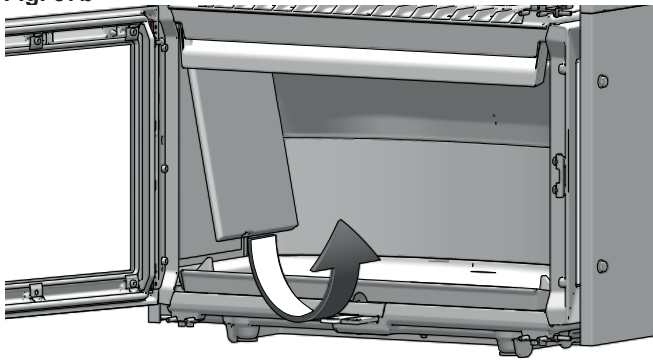


Fig. 37b

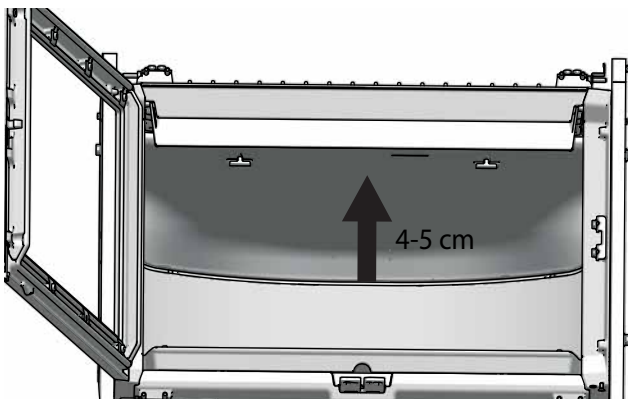


1. Retirez les plaques de doublage latérales des deux côtés en les soulevant légèrement et en les tirant par le bas.
2. Lors du remontage, suivez la même procédure dans l'ordre inverse.

7.2 Remplacement du déflecteur

Retirer les plaques de doublage latérales (Fig. 36). Il est inutile de retirer la plaque de doublage arrière.

Fig 38a



1. Commencez par relever le déflecteur inférieur

Fig 38b

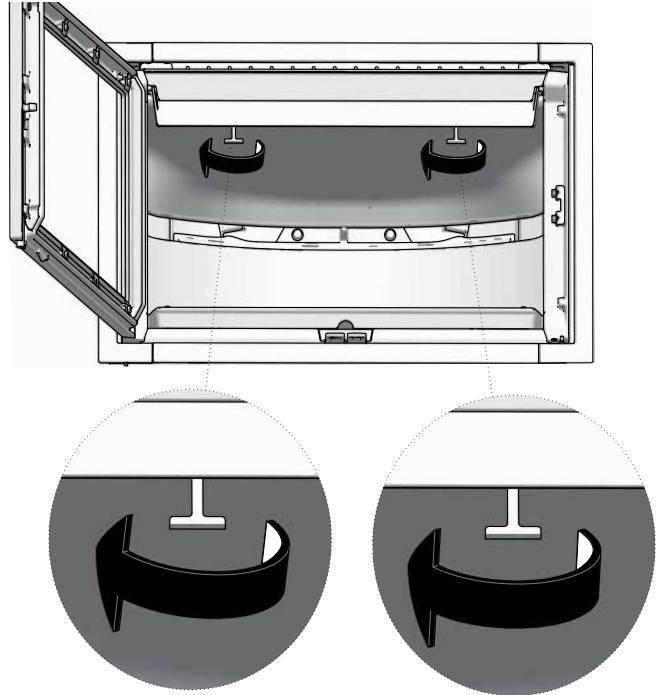
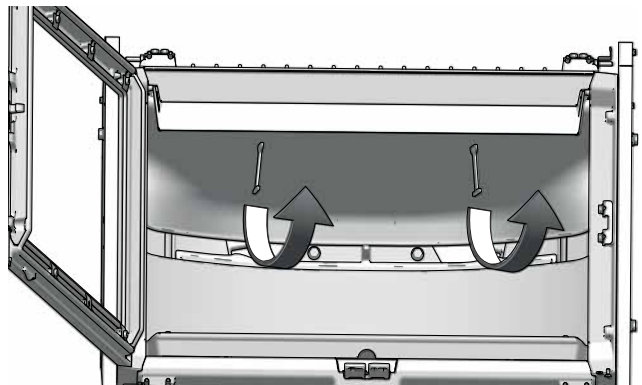
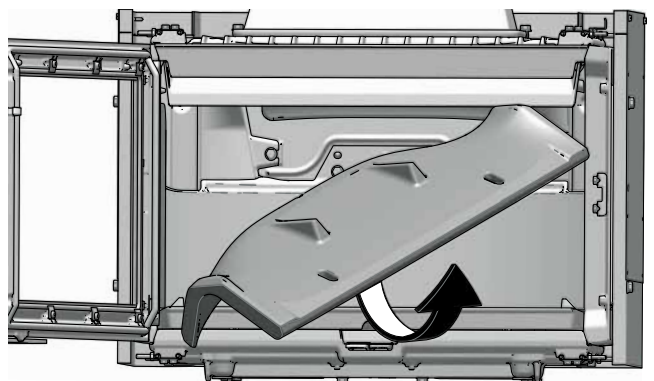


Fig 38c



2. Tour les clés à 90 °, puis retirez-les.

Fig 38d

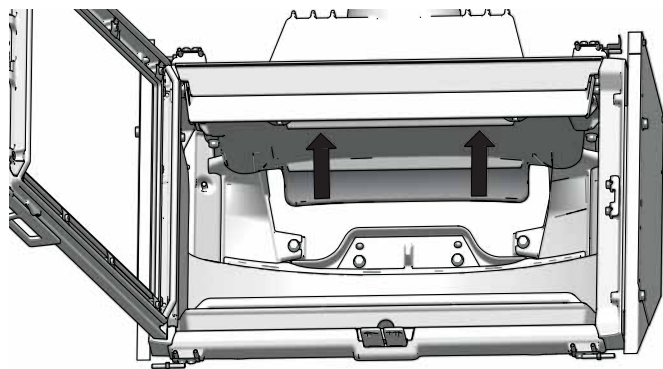


3. Inclinez et dégagez le déflecteur chicane.
4. Lors du remontage, suivez la même procédure dans l'ordre inverse.

FRANCAIS

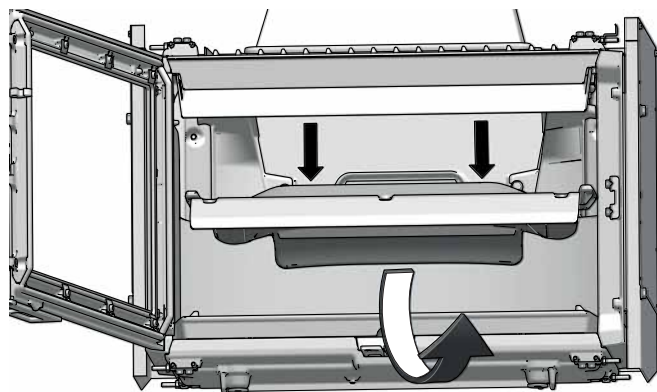
7.2 Remplacement du déflecteur d'évacuation

Fig 39a



1. Poussez le déflecteur vers le haut et vers l'intérieur.

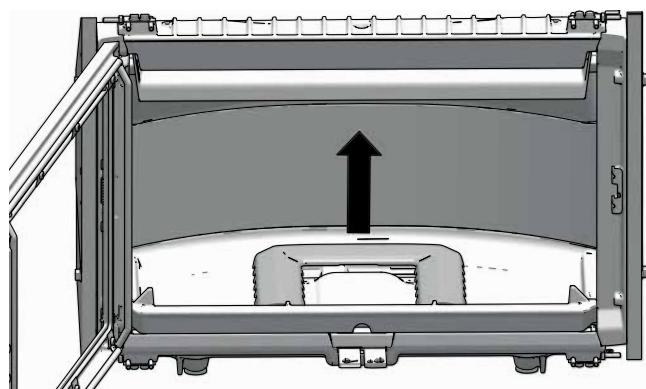
Fig 39b



2. Inclinez et dégagez le déflecteur.
3. Lors du remontage, suivez la même procédure dans l'ordre inverse.

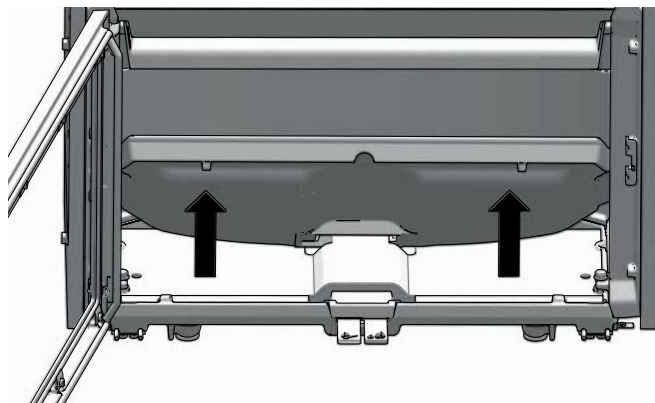
7.3 Remplacement du fond intérieur

Fig 40a



1. Retirez le couvercle de ventilation.

Fig 40b



2. Soulevez, inclinez et dégagez le fond intérieur.
3. Lors du remontage, suivez la même procédure dans l'ordre inverse.

8.0 Dysfonctionnements – Causes et dépannages

Tirage faible

Vérifier que la longueur de la cheminée est conforme aux législations et aux réglementations nationales en vigueur. (Voir aussi «**2.0 Données techniques**» et «**4.0 Installation**» (**Cheminées et conduits**) dans le manuel d'installation à ce sujet.)

Vérifier que la section minimale de la cheminée est conforme aux spécifications de la section «**2.0 Données techniques**» du manuel d'installation.

Vérifier que rien n'empêche l'évacuation des fumées : branches, arbres, etc.

Pour remédier à tout tirage semblant faible ou excessif, demander à un professionnel de vérifier et éventuellement de redimensionner la cheminée.

Le feu s'éteint rapidement

- Vérifier que le bois de chauffage est suffisamment sec.
- Vérifier l'absence d'aspiration dans la pièce. Arrêter toute ventilation mécanique et ouvrir une fenêtre à proximité du foyer.
- Vérifier que l'entrée d'air est ouverte.
- Vérifier que le conduit n'est pas obstrué.

Important dépôt de suie sur la vitre

L'accumulation de suie sur la vitre est inévitable, mais la quantité de dépôt varie en fonction :

- Du taux d'humidité du combustible.
- Des conditions locales de tirage.
- Du réglage de l'entrée d'air.

Une grande partie de cette suie est normalement consommée lorsque l'entrée d'air est ouverte à son maximum et en présence d'un feu vif dans le poêle pendant une dizaine de minutes.

9.0 Équipements disponibles en option

9.1 Le ventilateur

(Réf. cat 50054865)

9.2 Kit d'amenée d'air frais Ø100

(Réf. cat 51042164)

9.3 Verrouillage de porte gauche, complet

Pour porte à charnières à droite

(Réf. cat 50045754)

10.0 Recyclage

10.1 Recyclage de l'emballage

- Votre poêle est livré avec les emballages suivants :
- Une palette en bois qui peut être sciée et brûlée dans le poêle.
- Des emballages en carton qui doivent être déposés dans une station de recyclage près de chez vous.
- Des sacs en plastique qui doivent être déposés dans une station de recyclage près de chez vous, ou dans poubelle.

11.0 Conditions de garantie

Applicables à partir du 1^{er} Septembre 2016 à tout produit Jøtul acheté auprès du réseau de revendeurs agréés Jøtul.

Félicitations pour votre achat d'un appareil Jøtul !
Depuis 1853, Jøtul est un fabricant renommé de poêles, cheminées et inserts durables et d'excellente qualité. La grande qualité de nos produits nous permet d'offrir à nos clients une garantie longue durée, et ce, sans frais supplémentaires.

Notre garantie couvre :

En plus de la garantie légale en vigueur, Jøtul France offre une garantie commerciale étendue à :

- 25 ans à compter de l'achat de l'appareil sur toutes les pièces en fonte des appareils à bûches, si vous enregistrez votre appareil sur le site www.jotul.com/fr dans les 3 mois suivant votre achat. Nous vous conseillons d'imprimer et de conserver votre justificatif d'enregistrement de garantie avec votre preuve d'achat. A défaut d'enregistrement, la garantie commerciale sera de 5 ans à compter de l'achat de l'appareil sur ces mêmes pièces.
- 5 ans sur les pièces en acier des appareils à bûches.
- 5 ans sur le corps de chauffe des appareils à granulés.

La garantie s'applique uniquement si l'appareil a été installé par un revendeur agréé du réseau Jøtul, conformément à la réglementation en vigueur et aux instructions d'installation et d'utilisation décrites dans le manuel de l'appareil.

Les appareils réparés ou les appareils de remplacement, ne donnent en aucun cas droit à une prolongation de garantie. Ils sont donc garantis pour la durée restante de la garantie initiale.

Notre garantie commerciale ne couvre pas :

- Les pièces d'usure, telles que les composants de la chambre de combustion (déflecteurs, joints, plaques de doublage, etc.), car ces pièces s'usent avec le temps lors d'une utilisation normale,
- Les vitres, la peinture, l'émail, les pierres naturelles, les éléments en béton et tous les revêtements décoratifs,
- Les dommages liés à une mauvaise utilisation : combustible inapproprié ou de mauvaise qualité, surchauffe, défaut d'entretien, non respect des instructions d'utilisation décrites dans le manuel de l'appareil, etc,
- Les dommages liés au transport ou à une mauvaise installation de l'appareil,
- Les cas impliquant des modifications de l'appareil sans le consentement de Jøtul ou l'utilisation de pièces qui ne sont pas d'origine,
- Les frais annexes (frais de port, déplacement, main d'œuvre, etc...), ni les dommages indirects.

La demande de garantie doit être effectuée auprès de votre revendeur agréé du réseau Jøtul, dans les 14 jours suivant la survenance du défaut. Voir liste de nos revendeurs sur notre site internet. Elle doit être accompagnée de votre preuve d'achat de l'appareil (facture) et de votre justificatif d'enregistrement de garantie.

Si Jøtul se trouve dans l'incapacité d'assumer la prise en charge sous garantie de votre appareil, Jøtul remplacera gratuitement votre produit par un appareil de puissance similaire.

Cette garantie est exclusive de toute autre garantie et prévaut sur toute autre garantie accordée par toute autre société du groupe Jøtul.

Sommario

1.0	Conformità alle leggi	45
2.0	Dati tecnici	45
3.0	Sicurezza.....	48
4.0	Installazione	49
5.0	Utilizzo giornaliero	60
6.0	Manutenzione	61
7.0	Assistenza	62
8.0	Risoluzione dei problemi.....	64
9.0	Accessori opzionali	65
10.0	Riciclaggio	65
11.0	Garanzia	65

Registrare il proprio caminetto sul sito jotul.com per una garanzia di 25 anni.

Product: Jotul Room heater fired by solid fuel				
Standard Minimum distance to adjacent combustible materials Minimum distance to adjacent non-combustible materials Emission of CO in combustion products Flue gas temperature Nominal heat output Efficiency Operational range Fuel type Operational type The appliance can be used in a shared flue.				
Country	Classification	Certificate/standard	Approved by	
Norway	klasse II			
Sweden	nr.	SP	SP Sveriges Provnings- och Forskningsinstitut AB	
EUR	Intermittent	EN	SP Swedish National Testing and Research Institute	
Follow user's instructions. Use only recommended fuels. Montage- und Bedienungsanleitung beachten. Verwenden Sie nur empfohlenen Brennstoffen. Respectez les consignes d'utilisation. Utilisez uniquement les combustibles recommandés.				
Lot no: Y-xxxx, Year: 200x				
Manufacturer: Jotul AS POB 1441 N-1602 Fredrikstad Norway		221546		

Su tutti i nostri prodotti è applicata un'etichetta che indica il numero di serie e l'anno. Annotare questo numero dove indicato nelle istruzioni di installazione. Citare sempre questo numero di serie quando ci si rivolge al rivenditore o a Jøtul.

Lot no. Pin.

1.0 Conformità alle leggi

L'installazione di una stufa deve essere eseguita in conformità alle leggi e alle norme locali di ogni paese.

L'installazione del prodotto deve essere conforme a tutte le norme locali, incluse quelle che fanno riferimento a direttive europee o specifiche del paese.

L'installazione può essere effettuata solo dopo un'accurata ispezione da parte di personale qualificato.

Sul prodotto è applicata una targhetta, realizzata in materiale termoresistente e contenente dati e informazioni sull'identificazione del prodotto.

2.0 Dati tecnici

Materiale:	Ghisa
Rivestimento esterno:	vernice nera
Combustibile:	Legna
Scarico fumi:	Superiore
Dimensioni condotto dei fumi:	Ø 150 mm/177 cm2 sezione trasversale
Circolazione dell'aria:	Tubo in alluminio flessibile Ø 100 mm
2 connettori per scarico dell'aria calda:	Tubo flessibile in alluminio Ø 150 mm
Peso:	circa 172 kg
Opzioni:	Telaio ampio e telaio stretto
Accessori opzionali:	Ventola, Kit del condotto per l'aria esterna Ø 100 mm, Adattatore per condotto di scarico fumi, Fermo della porta completo sinistra.
Product dimensions, distances:	See Fig. 1

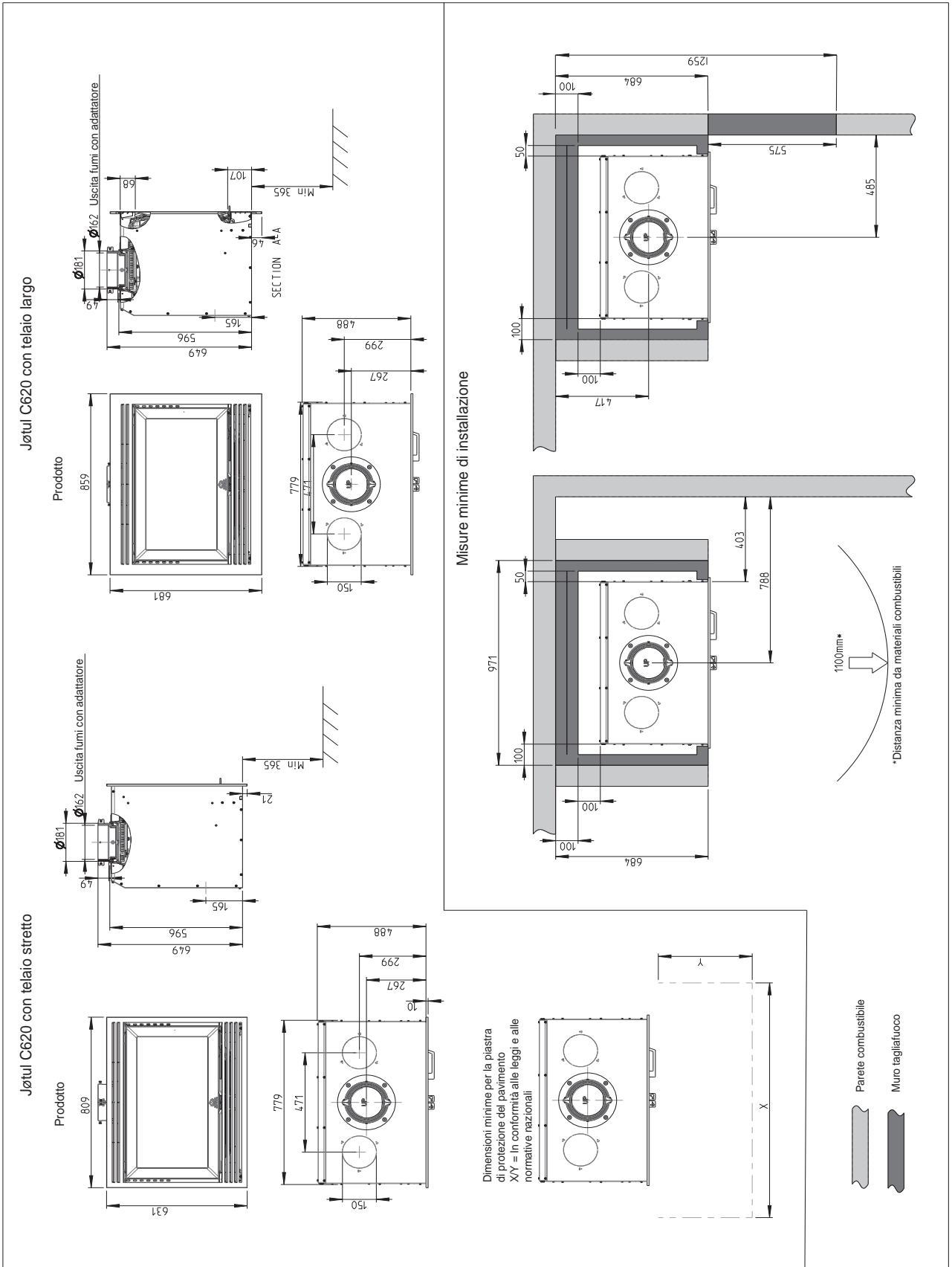
Dati tecnici conformi alla norma EN 13229

Potenza termica nominale:	8 kW
Volume dei fumi:	7,9 g/s
Tiraggio della canna fumaria, EN 13229:	12 Pa
Pressione negativa raccomandata nello scarico fumi:	14-16 Pa
Efficienza:	78% a 8 kW
Emissioni di CO (13% O ₂):	0.052%
Emissioni di CO (13% O ₂):	653 mg/Nm ³
NOx a 13% O ₂ :	92 mg/Nm ³
Idrocarburi a 13 % O ₂ :	36 mg/Nm ³
Temperatura della canna fumaria, EN 13229:	269 °C
Polvere:	11 mg/Nm ³ a 13%O ₂
Consumo aria alla Potenza nominale:	24 m ³ /h
Tipo di combustibile:	Legna
Lunghezza raccomandata ceppi:	30-60 kg
Lunghezza massima ceppi:	60 kg
Consumo di legna:	2,46 kg/h
Quantità max di fascine:	3,5 kg
Quantità nominale di fascine:	1,8-1,9 kg
Funzionamento:	Intermittente

In questo contesto, per "combustione intermittente" si intende il normale utilizzo di una stufa, ovvero con aggiunta di combustibile, per continuare a produrre calore, non appena si è formata una quantità adeguata di braci dal precedente carico.

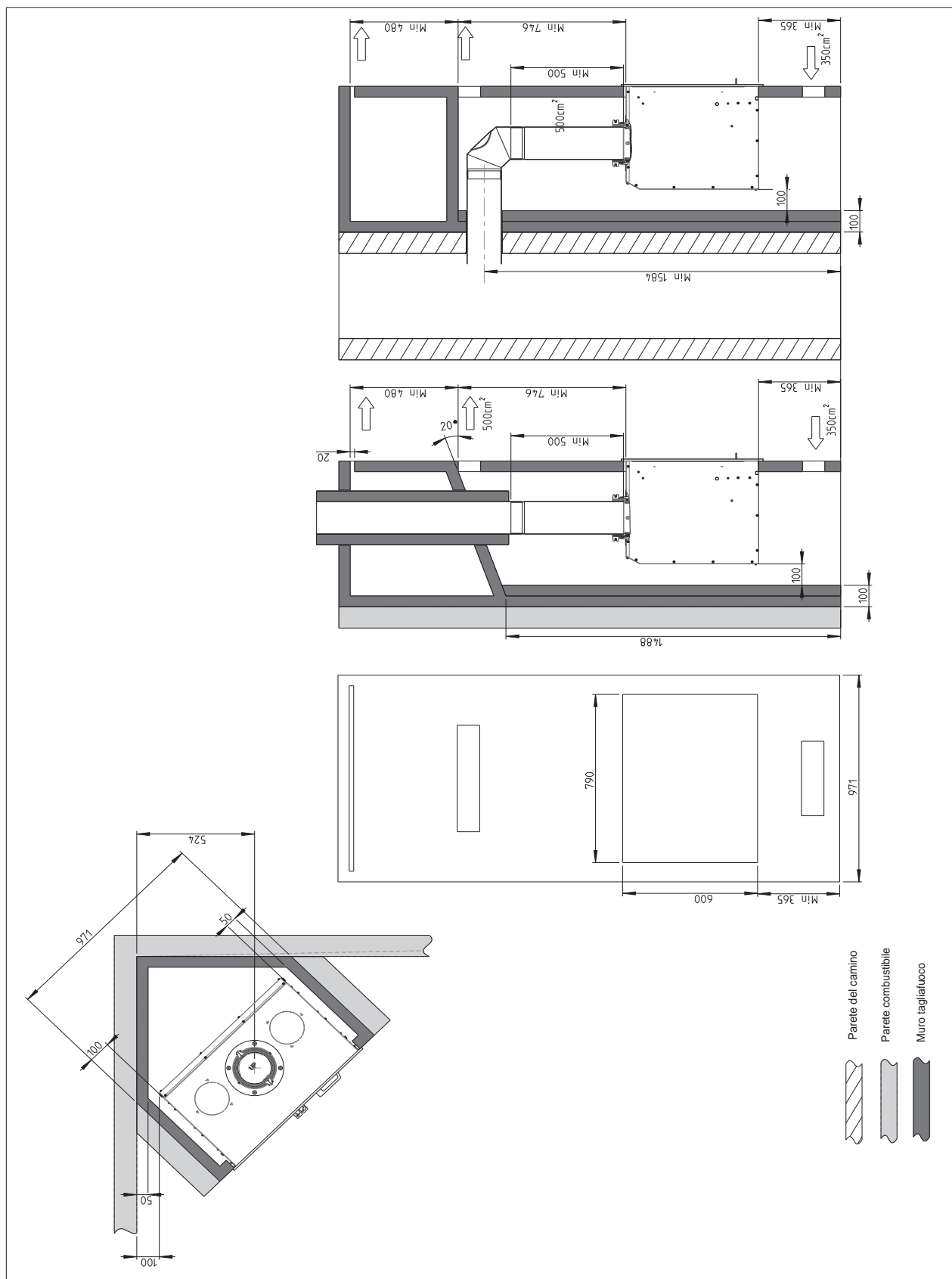
Jøtul C620

Fig. 1a



Jøtul C620

Fig. 1b



3.0 Sicurezza

Nota: per garantire prestazioni e sicurezza ottimali, le stufe Jøtul devono essere montate da un installatore qualificato (vedere www.jotul.com per un elenco completo di rivenditori).

Qualunque modifica al prodotto da parte del distributore, installatore o consumatore può comportare un funzionamento imprevisto del prodotto e delle funzionalità di sicurezza. Lo stesso si applica all'installazione di accessori o di extra opzionali non forniti da Jøtul. Ciò può riguardare anche componenti essenziali per il funzionamento e la sicurezza del caminetto eventualmente smontati o rimossi.

In tutti i casi citati, il produttore non potrà essere ritenuto responsabile o punibile per il prodotto, rendendo nullo e non valido ogni reclamo.

3.1 Misure di prevenzione antincendio

Ogni utilizzo del caminetto ha in sé un certo elemento di pericolo. Pertanto, è necessario seguire attentamente le seguenti istruzioni:

- Le distanze minime di sicurezza in caso di utilizzo del caminetto sono fornite nella **fig. 1**.
- Assicurarsi che gli arredi e altri materiali infiammabili non siano troppo vicini al caminetto. I materiali infiammabili non devono mai essere posizionati entro 1100 metro dal caminetto.
- Attendere l'estinzione del fuoco. Non spegnere mai le fiamme con acqua.
- Il caminetto acceso diventa caldo e può causare bruciate se toccato.
- Rimuovere la cenere solo con il caminetto freddo. La cenere può contenere braci calde, pertanto deve essere collocata in un contenitore ignifugo.
- La cenere deve essere collocata all'esterno o svuotata in un luogo in cui non rappresenterà un pericolo potenziale di incendio.

In caso di incendio della canna fumaria

- Chiudere tutte le aperture e le prese d'aria.
- Tenere chiusa la porta del camino.
- Chiamare i vigili del fuoco.
- Prima di utilizzare di nuovo il camino e la canna fumaria dopo un incendio, è necessario che vengano controllati da un tecnico specializzato che ne assicuri l'integrità e il corretto funzionamento.

3.2 A terra

Basamento

È importante accertarsi che il basamento sia adatto a un caminetto. Consultare il capitolo **"2.0 Dati tecnici"** per le specifiche sul peso.

Si raccomanda la rimozione dall'area di installazione di ogni eventuale rivestimento non fissato al pavimento ("rivestimenti mobili").

Jøtul raccomanda di rimuovere eventuali materiali infiammabili come: linoleum, moquette, ecc. da sotto la pedana di protezione del pavimento.

Requisiti per la protezione del pavimento in legno sotto il caminetto

Il prodotto può essere posizionato direttamente su un pavimento in legno rivestito con una lamina di metallo o di un altro materiale ignifugo. Lo spessore minimo raccomandato è di 0,9 mm. La piastra deve coprire l'intera superficie del pavimento all'interno del rivestimento. La distanza tra il pavimento e la cassetta deve essere minimo 365 mm (vedere figura 1).

Requisiti per la protezione dei pavimenti infiammabili davanti al caminetto

Il pavimento davanti al caminetto deve essere protetto da una lamina di metallo o di un altro materiale ignifugo. Lo spessore minimo raccomandato è di 0,9 mm.

Tale piastra deve risultare conforme alle leggi e alle normative nazionali.

Contattare le autorità edili locali in relazione alle disposizioni e ai requisiti di installazione.

3.3 Pareti

Posizionare il prodotto in modo tale che sia possibile pulire la stufa, il condotto di scarico fumi e il passaggio della canna fumaria.

Assicurarsi che i mobili e gli altri elementi di arredo non sono così vicini alla stufa

Assicurarsi che mobili e altri articoli di arredamento non siano tanto vicini da essere seccati dalla stufa.

Distanza da pareti di materiale infiammabile - nella fig. 1a. La stufa deve essere installata con un condotto di scarico fumi approvato CE.

È necessario osservare i regolamenti europei, nazionali e locali in relazione alle distanze di sicurezza per le stufe, così come condotti di scarico fumi e canne fumarie. Tenere presente che i condotti di scarico fumi con marcatura CE possono avere una distanza maggiore dai materiali combustibili rispetto alla stufa.

Parete combustibile protetta da un muro tagliafuoco/isolamento

Distanza minima dalla parete combustibile protetto da muro tagliafuoco/isolamento, vedere fig. 1b

3.4 Soffitto

Il caminetto è stato approvato per l'installazione con l'estremità superiore dell'apertura dell'aria calda del rivestimento posizionata ad almeno 480 mm di distanza da un soffitto in materiale infiammabile. Consultare Fig. 1e e f. Assicurarsi che sia presente una ventilazione adeguata nella parte superiore della cappa, p. es. mediante uno spazio vuoto sotto il soffitto.

4.0 Installation

Jøtul C 620 è una stufa a cassetta progettata per inserirsi all'interno di un caminetto preesistente. Ciò richiede un'apertura del caminetto minima di alt. x largh. x prof. = 590 x 780 x 490 mm. Nota: è necessario lasciare uno spazio tra la cassetta e la muratura per l'espansione termica della stufa a cassetta.

Il prodotto si inserisce anche all'interno di un nuovo rivestimento del caminetto. Il rivestimento del caminetto deve avere un'apertura di alt. x largh. x prof. = 600x790x584 mm. È importante lasciare anche lo spazio per l'isolamento intorno al rivestimento. Se si utilizza un telaio ampio (optional aggiuntivo), questo farà sovrapporre le aperture ad un'alt. x largh. = 681 x 859 mm.

4.1 Requisiti di isolamento

Durante l'installazione del caminetto in un rivestimento domestico con pareti non ignifughe protette da materiale isolante, possono essere utilizzati i seguenti tipi e spessori di isolamento:

- Asse ignifuga da 50 mm Jøtul JGFW-5 (conducibilità termica specifica = valore $\lambda = 0,06$ W/mK)
- Barre ignifughe da 50 mm Rockwool (valore $\lambda = 0,046$ W/mK)
- Siporex da 150 mm (valore $\lambda = 0,144$ W/mK)

Possono essere utilizzati altri materiali. Le proprietà di isolamento devono essere sempre equivalenti o superiori ai requisiti di resistenza termica* (R) per Jøtul JGFW-5 da 50 mm.

- *La resistenza termica (R) è un indicatore della capacità isolante del materiale rispetto al suo spessore. La resistenza termica (R) viene calcolata come lo spessore (d) del materiale diviso per la conducibilità termica del materiale stesso. $R = d/\text{valore } \lambda$.*

La resistenza termica (R) per Jøtul JGFW-5 è pari a 0,83 m²*K/W.

4.2 Circolazione dell'aria fresca

L'aria utilizzata per la combustione in qualsiasi abitazione ben isolata deve essere sostituita. Ciò è particolarmente importante nelle abitazioni con ventilazione meccanica. È possibile procurare tale aria sostitutiva in vari modi. L'aspetto più importante è fornire l'aria nell'ambiente in cui è situata la stufa. Posizionare la valvola della parete esterna più vicino possibile alla stufa e assicurarsi che possa essere chiusa quando la stufa non è in uso.

Per il collegamento della circolazione dell'aria fresca, attenersi ai regolamenti edilizi nazionali e locali.

Verificare che le prese d'aria presenti nel locale in cui si trova la camino non siano ostruite.

Sistema di combustione chiuso

Utilizzare il sistema di combustione chiuso della stufa se l'abitazione è a tenuta d'aria e di recente costruzione. Collegare l'aria di combustione esterna attraverso un condotto di ventilazione attraverso la parete o il pavimento.

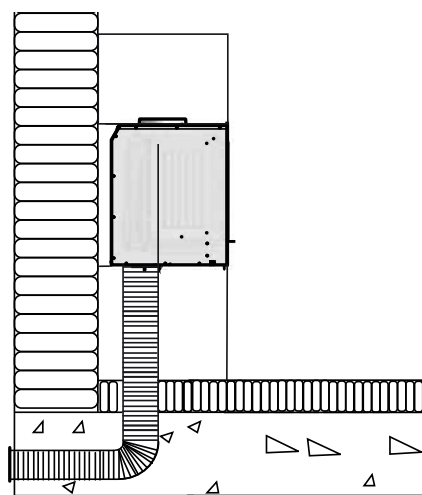
Circolazione dell'aria

Il quantitativo di aria di combustione per i prodotti Jøtul è di circa 20-40 m³/h.

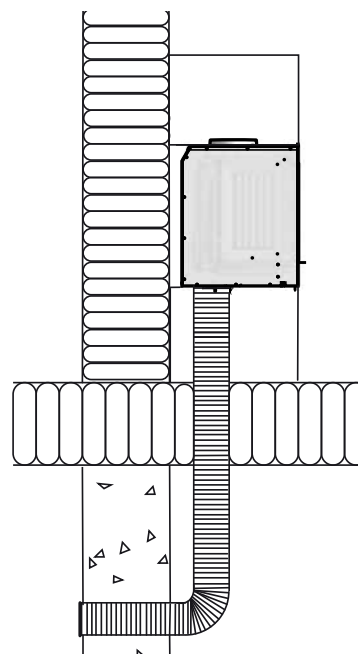
Il condotto per l'aria esterna può essere inserito direttamente in Jøtul C 620 attraverso:

- il fondo
- Parte posteriore

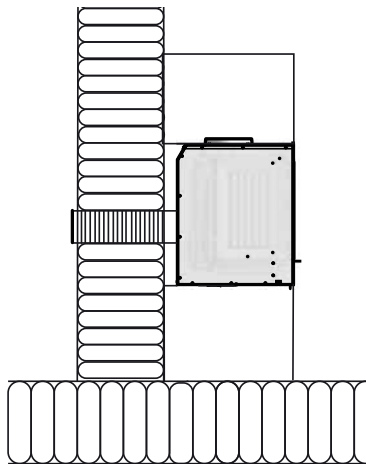
Attraverso il pavimento e la piastra di terra



Attraverso il pavimento e il basamento



Attraverso una parete esterna



4.3 Circolazione dell'aria

In caso di installazione in un nuovo rivestimento del caminetto, l'aria deve poter circolare tra la cassetta e la muratura.

Circolazione dell'aria min:

Base: 350 cm² di apertura libera.

Parte superiore: 500 cm² di apertura libera.

Tale misura di sicurezza assicura che l'accumulo di calore all'interno del rivestimento del caminetto non diventi eccessivo e che la potenza termica nell'ambiente sia adeguata. L'apertura deve essere collocata nella parte superiore del rivestimento.

4.4 Distribuzione dell'aria calda/ventola

È possibile collegare uno o due condotti con un diametro interno di 150 mm per distribuire l'aria riscaldata dalla cassetta. I condotti dell'aria calda devono essere realizzati in materiale resistente al calore e ignifugo, ad esempio, condotti flessibili in alluminio. Questi possono diventare molto caldi ed è importante che non vengano a contatto con alcun materiale non ignifugo. Due connettori per i condotti sono in dotazione con il prodotto (i condotti non sono inclusi).

Il problema della vernice che cambia colore proprio al di sopra della cassetta si riduce utilizzando i condotti dell'aria calda. È possibile inserire una ventola (optional aggiuntivo) all'interno del prodotto per aumentare la distribuzione dell'aria calda. È possibile inserirla indipendentemente dalla presenza o meno di condotti installati per la distribuzione dell'aria calda. Vedere il manuale di istruzioni per l'installazione della ventola (in dotazione con la ventola).

4.5 Canna fumaria e condotto

- Il camino deve essere dotato di un condotto di scarico fumi non isolato con un'altezza minima di 500 mm.
- L'ampiezza della sezione trasversale della canna fumaria deve essere almeno pari a quella della sezione trasversale del condotto. Consultare il capitolo «2.0 Dati tecnici» per calcolare la sezione trasversale corretta della canna fumaria. **Nota: la lunghezza minima della canna fumaria raccomandata è di 3,5 m.**
- Il caminetto può essere collegato a canne fumarie e condotti approvati per caminetti a combustibile solido; la temperatura del gas prodotto dal fumo è indicata nel capitolo «2.0 Dati tecnici».
- Per il tiraggio raccomandato della canna fumaria, consultare il capitolo «2.0 Dati tecnici». Se il tiraggio è troppo forte, è possibile intervenire, ad es. installando e azionando una valvola di regolazione del tiraggio. Se è installata una valvola fumi, questa non deve bloccare completamente la canna fumaria (rifarsi alla normativa nazionale) La valvola deve essere facile da usare ed avere un'apertura come minimo di 20 cm² o il 3% della sezione. La posizione della valvola deve essere riconoscibile dall'impostazione dell'impianto. Se è montato un regolatore di tiraggio, valutare se la valvola è necessaria e la sezione minima non è più applicabile, ma il dispositivo deve essere facilmente accessibile per la pulizia.
- La canna fumaria e il portello per la pulizia devono essere ispezionati per verificare che siano completamente sigillati per impedire perdite. Se c'è una perdita, meno aria sarà convogliata attraverso la stufa. Il vostro ufficio di sicurezza antincendio locale può effettuare un'ispezione della canna fumaria.
- Il collegamento della canna fumaria deve avvenire in conformità alle istruzioni di installazione fornite dal produttore della stessa.
- Prima di praticare un foro nella canna fumaria, montare il caminetto e posizionarlo provvisoriamente, in modo da contrassegnare correttamente la posizione del caminetto e del foro sulla canna fumaria. Per le dimensioni minime, vedere la Fig. 1.
- È estremamente importante che i collegamenti abbiano una certa flessibilità, questo per impedire ogni movimento in fase di installazione tale da causare la formazione di crepe.
- È importante che tutti i giunti/condotti siano completamente sigillati. Eventuali perdite d'aria possono causare malfunzionamenti.
- Utilizzare un condotto provvisto di portello che consenta di effettuare la pulizia. È necessario installare un gomito dei fumi di scarico che modifichi la direzione dei fumi di scarico di oltre 45° con un portello per la pulizia. È possibile effettuare la pulizia dall'interno della camera di combustione.
- Nota: un collegamento corretto ed ermetico è fondamentale per il buon funzionamento del prodotto.
- Il peso della struttura del caminetto non deve gravare sulla canna fumaria. La struttura del caminetto non deve impedire il movimento della canna fumaria e non deve essere fissata a quest'ultima.

4.6 Prima dell'installazione

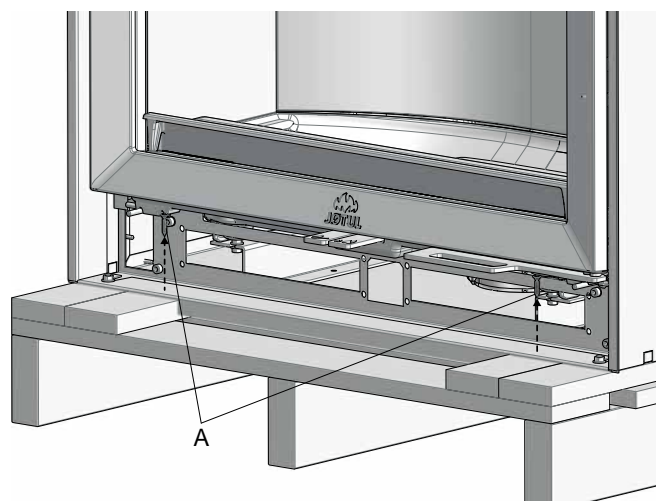
Assicurarsi che Jøtul C 620 possa essere inserito all'interno del camino o rivestimento, la Fig. 1 indica le dimensioni minime. È necessario lasciare uno spazio tra la cassetta e la muratura per l'espansione termica della stufa a cassetta. Il caminetto deve essere pulito accuratamente prima dell'installazione. È importante rimuovere la vecchia fuliggine e pece che si è accumulata nel caminetto per impedire che si produca un odore sgradevole nella stanza. Utilizzare un detergente adeguato.

Il prodotto è pesante! Assicurarsi di disporre dell'aiuto necessario in fase di posizionamento e installazione.

Il prodotto standard è fornito in tre confezioni

- Una volta disimballato il prodotto, rimuovere il sacchetto con le viti e la scatola con il connettore dell'aria esterna, 2 connettori di scarico dell'aria calda e il guanto da forno dalla camera di combustione.
- Rimuovere la grata del fuoco e il blocco di legno (utilizzato per il trasporto) appena sotto allo scarico fumi del prodotto.
- Controllare che il prodotto non presenti segni di danneggiamento e assicurarsi che le manopole di regolazione funzionino.

Fig. 3



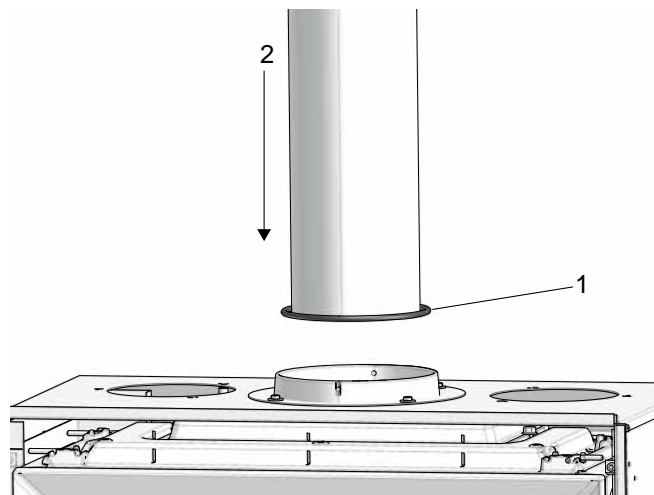
1. Rimuovere le viti (A) che fissano la cassetta al pallet..

4.7 Installazione

Una volta allentata dal pallet, la cassetta è ora pronta per essere installata in un rivestimento idoneo.

Se non è necessario un condotto per l'aria esterna e vi è un facile accesso al rivestimento sopra la cassetta, è possibile posizionare la cassetta nel rivestimento. Installare il condotto di scarico fumi con o senza adattatore (Fig. 4/5), quindi installare la cassetta nel rivestimento (Fig. 13b+15)

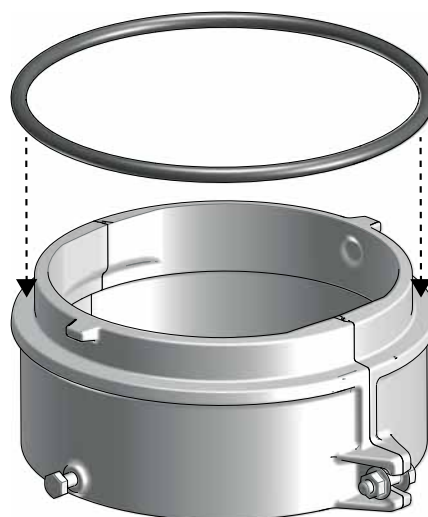
Fig. 4



1. Estrarre la carta protettiva dalla guarnizione in dotazione e applicarla alla parte inferiore del condotto di scarico fumi, piegandola verso l'interno e l'esterno attorno al condotto.
2. Inserire il condotto nello scarico fumi.

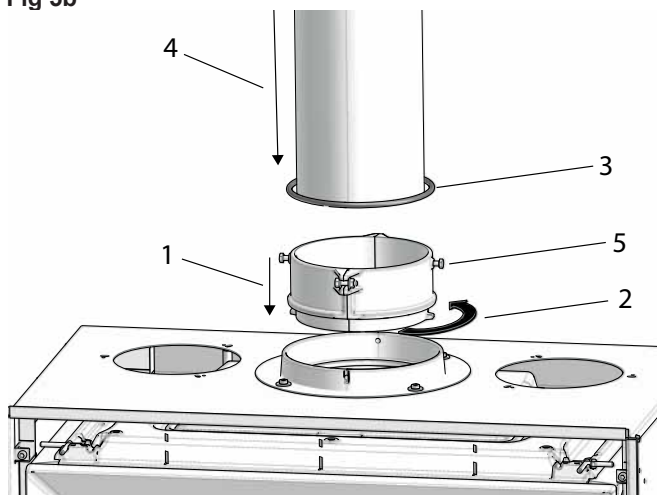
Montare il condotto di scarico fumi con l'adattatore (Ø150)

Fig. 5a



1. Estrarre la carta protettiva dalla guarnizione in dotazione. Fissare la guarnizione sul lato inferiore dell'adattatore. La guarnizione deve seguire il bordo esterno.

Fig 5b



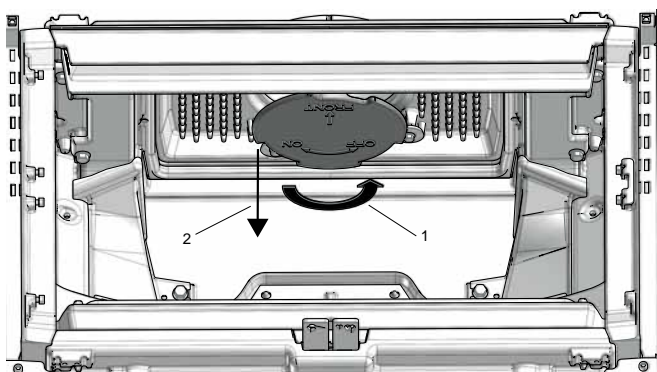
1. Posizionare l'adattatore nello scarico fumi.
2. Girare l'adattatore fino a quando non è saldamente fissato allo scarico fumi.
3. Estrarre la carta protettiva dalla guarnizione in dotazione e applicarla alla parte inferiore del condotto di scarico fumi, piegandola verso l'interno e l'esterno attorno al condotto.
4. Montare il condotto di scarico fumi con l'adattatore
5. Serrare le viti su entrambi i lati dell'adattatore.

Il prodotto può ora essere installato nel rivestimento, con un telaio stretto o largo (vedere le Fig. 13b e 15).

Installazione con accesso limitato nel rivestimento

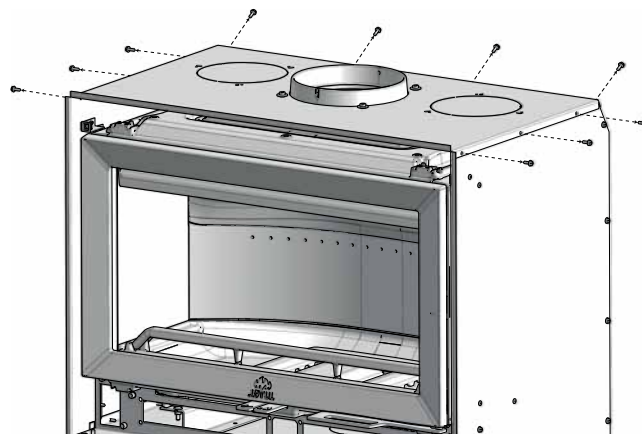
In caso di accesso limitato sopra il prodotto nel rivestimento durante il montaggio, lo scarico fumi può essere installato dall'interno della camera di combustione. L'adattatore viene quindi fissato al condotto di scarico fumi nel rivestimento e, successivamente, fissato alla camera di combustione dall'interno, quando la cassetta è in posizione. Iniziare togliendo il parafiamma e il deflettore di aspirazione (vedere le Fig. 37-39).

Fig. 6



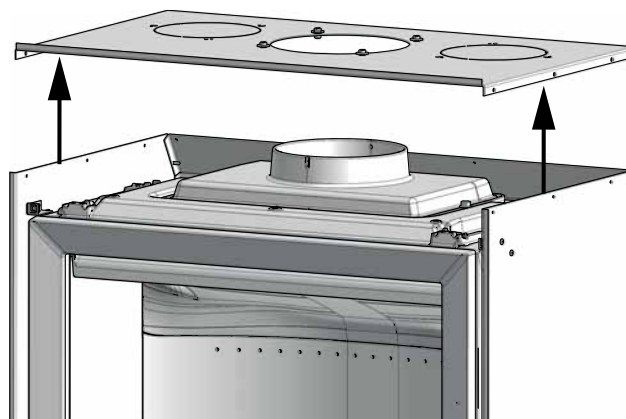
1. Sollevare e ruotare il deflettore di aspirazione superiore nella direzione della freccia per allentarlo.
2. Rimuovere il deflettore di aspirazione superiore
3. Per reinserire i componenti estratti, seguire la stessa procedura in ordine inverso.

Fig. 7a



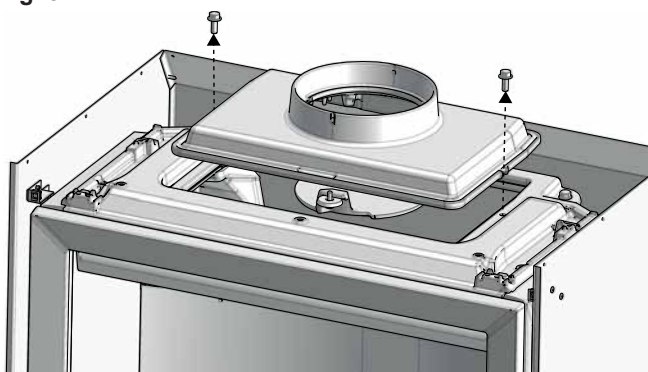
1. Svitare le viti attorno alla parte superiore della cassetta.

Fig. 7b



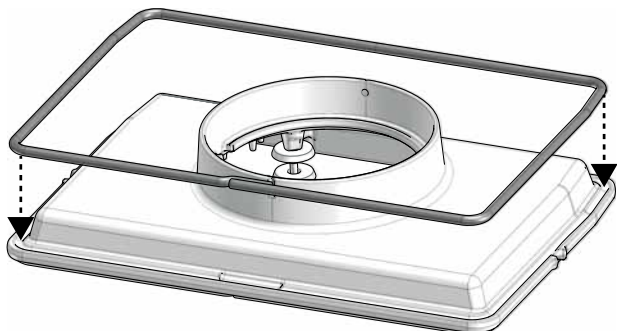
2. Rimuovere la parte superiore.
3. Per reinserire i componenti estratti, seguire la stessa procedura in ordine inverso.

Fig. 8



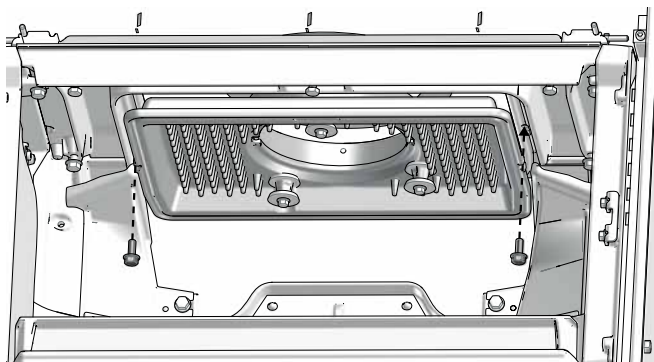
1. Svitare due viti e togliere lo scarico fumi.

Fig. 9



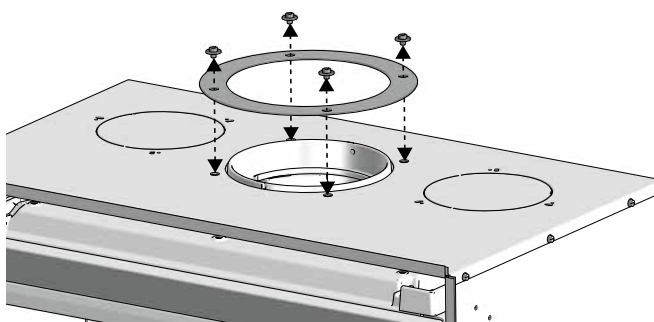
1. Estrarre la carta protettiva dalla guarnizione in dotazione. Posizionare la guarnizione sullo scarico fumi.

Fig. 10



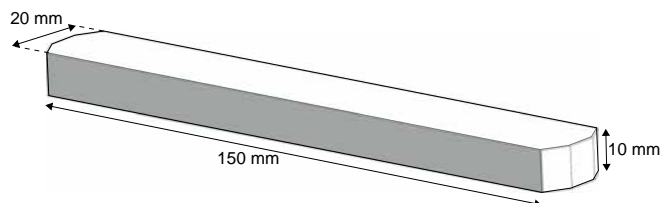
1. Posizionare lo scarico fumi nella camera di combustione e verso l'alto, attraverso l'apertura. Fissare con le viti della Fig. 8.

Fig. 11



1. Svitare le 4 viti e rondelle dalla piastra superiore della cassetta.
2. Posizionare l'anello in metallo della scatola in dotazione con la stufa attorno allo scarico fumi e fissarlo con viti e rondelle. Non serrare le viti completamente, fino a quando non si è certi che non siano più necessarie regolazioni.

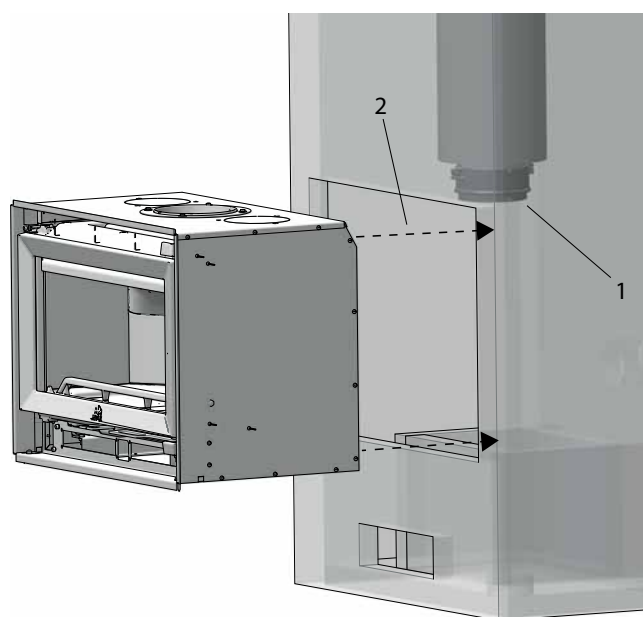
Fig. 12



1. Tagliare via un piccolo pezzo di legno, delle dimensioni della Fig. sopra. Questo verrà utilizzato come strumento per fissare l'adattatore allo scarico fumi dall'interno della camera di combustione.

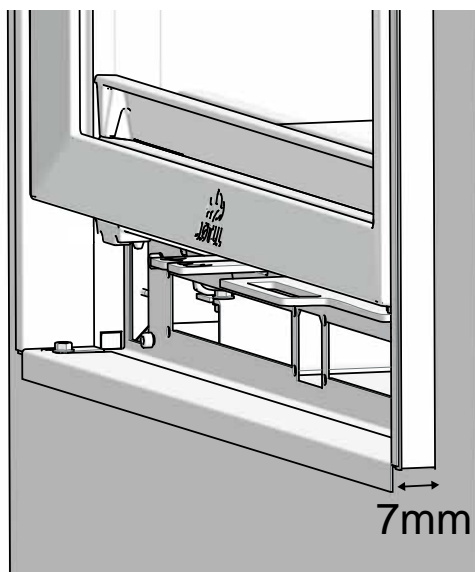
L'adattatore deve essere collegato al condotto di scarico fumi prima che la cassetta venga posizionata nel rivestimento. Vedere la Fig. 5a e i punti 3-5 nella Fig. 5b.

Fig. 13a



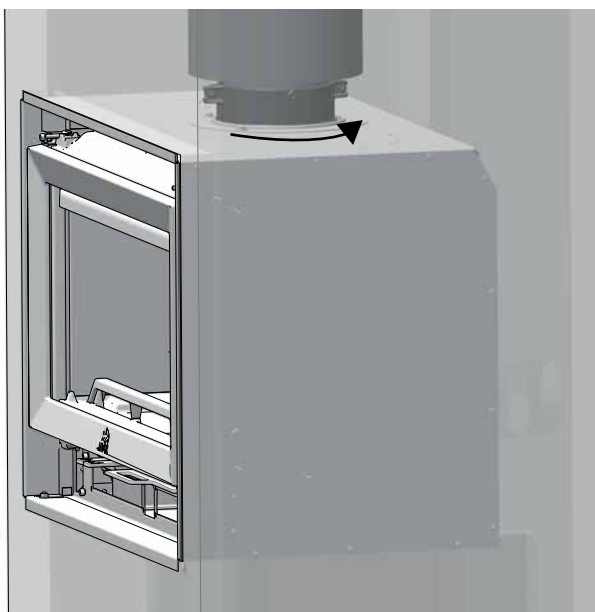
1. Fissare il pezzo di legno nell'adattatore, posizionandolo in tensione.
2. Posizionare la cassetta nel rivestimento nella posizione corretta.

Fig. 13b



3. Assicurarsi che vi sia una distanza di 7 mm tra il bordo della cassetta e il rivestimento

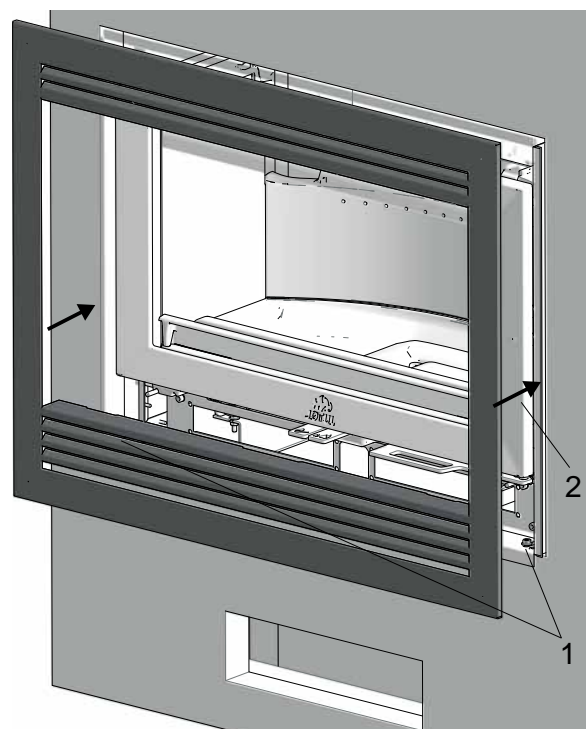
Fig. 14



1. Fissare l'adattatore dall'interno ruotandolo, utilizzando il pezzo di legno. Rimuovere il pezzo di legno una volta montato

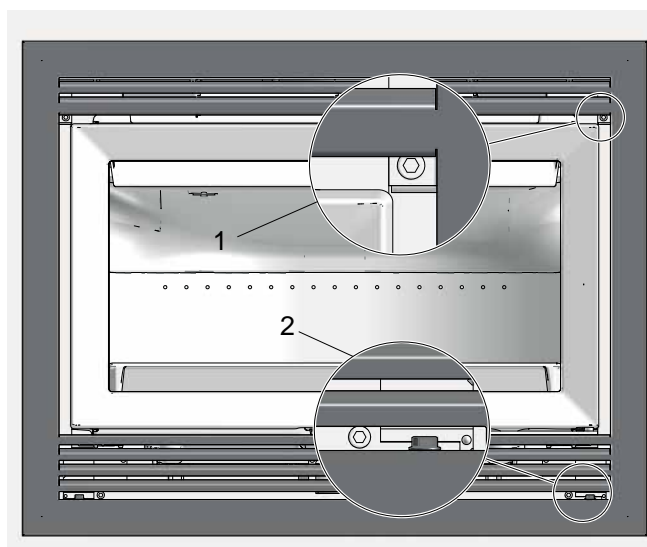
Rimontare il deflettore di aspirazione superiore (Fig. 6), il deflettore di aspirazione (Fig. 39) e il parafiamma (Fig. 38). Fissare nuovamente la piastra superiore della cassetta (Fig. 7).

Fig. 15a



1. Allentare i due dadi nella parte anteriore inferiore della cassetta.
2. Spingere il telaio in posizione.

Fig. 15b

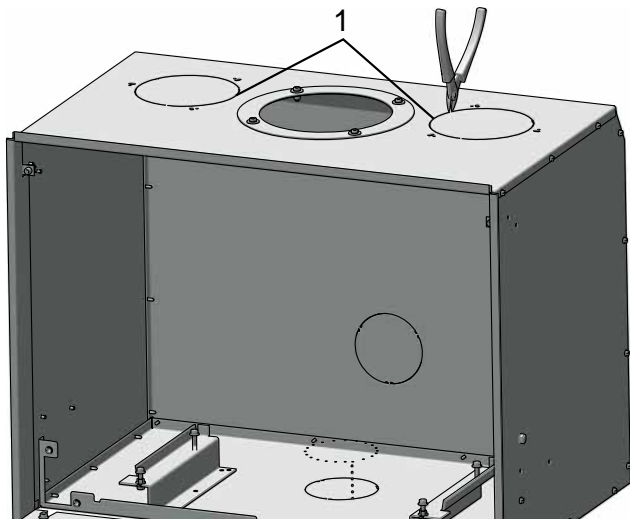


3. Fissare la parte superiore del telaio in posizione utilizzando due viti lunghe 20 mm dal sacchetto delle viti (identiche su entrambi i lati del telaio) con una chiave a brugola di 5 mm.
4. Serrare i due dadi alla parte anteriore inferiore della cassetta (identici su entrambi i lati del telaio) con una chiave di 10 mm.

Distribuzione dell'aria calda - opzionale

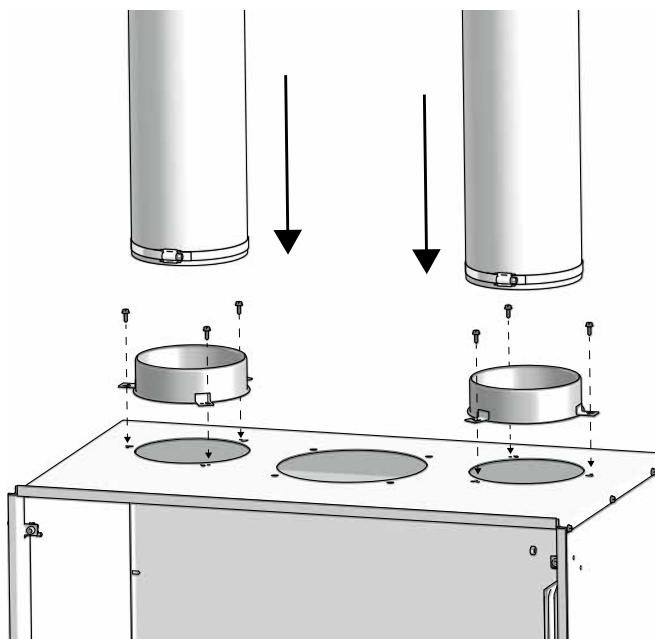
Vedere il capitolo 4.4 per informazioni sulla distribuzione dell'aria di convezione/aria calda. Se necessario, estrarre l'insero della cassetta durante il collegamento della distribuzione dell'aria calda (vedere le Fig. 7 e 17-19).

Fig. 16a



1. Utilizzare pinze per rimuovere i coperchi per i condotti dell'aria calda.

Fig. 16b



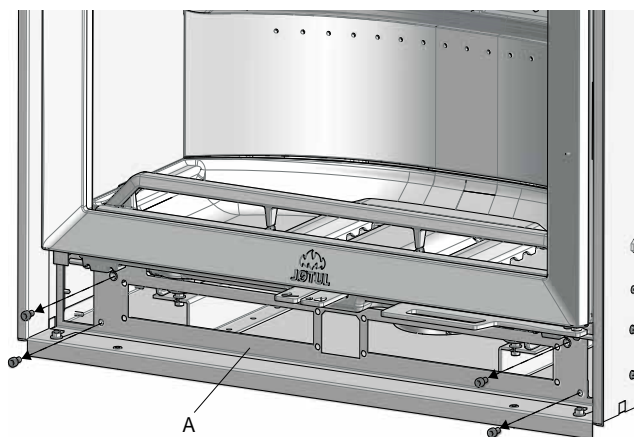
2. Fissare le uscite dell'aria calda alla cassetta con le viti del sacchetto delle viti.
3. Posizionare tubi flessibili all'esterno delle uscite e serrare la fascetta con un cacciavite o una chiave a bussola da 7 mm. Le viti possono anche essere montate dall'interno.

4.8 Montaggio del condotto per l'aria esterna

Vi sono due modalità per installare il condotto per l'aria esterna: posteriore o inferiore. Entrambe le opzioni richiedono la rimozione dell'insero dalla cassetta durante l'installazione.

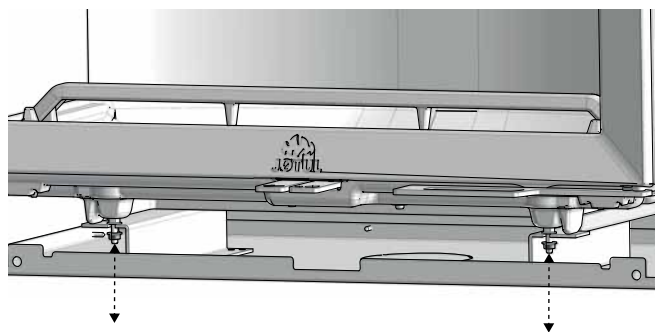
Iniziare togliendo la parte superiore della cassetta, come mostrato nella Fig. 7.

Fig 17



1. Svitare le 4 viti che fissano la staffa anteriore (A) con una chiave Allen da 5 mm.
2. Inclinare verso l'esterno la staffa anteriore (A).

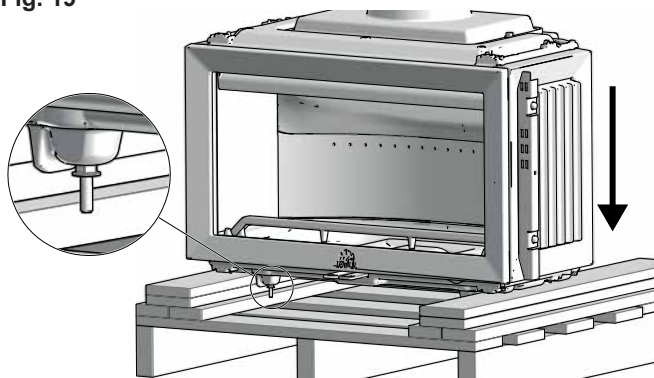
Fig. 18



1. Allentare i due dadi nella parte inferiore della camera di combustione, per liberare la camera di combustione dalla cassetta.

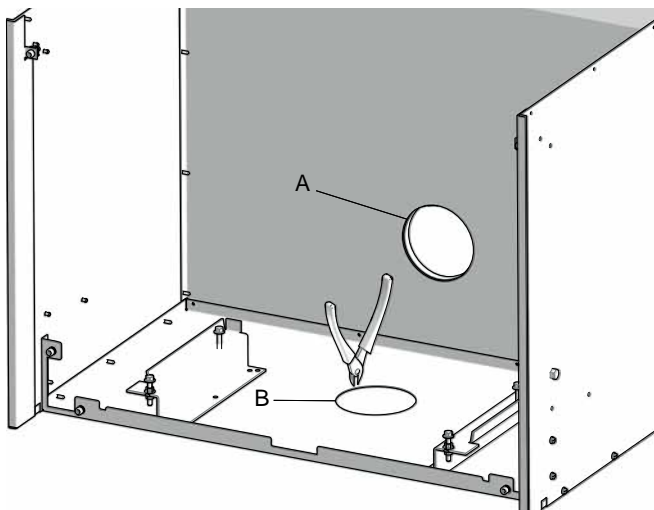
Sollevarlo con attenzione l'insero estraendolo dalla cassetta e posizionarlo su una superficie idonea (vedere la Fig. 19).

Fig. 19



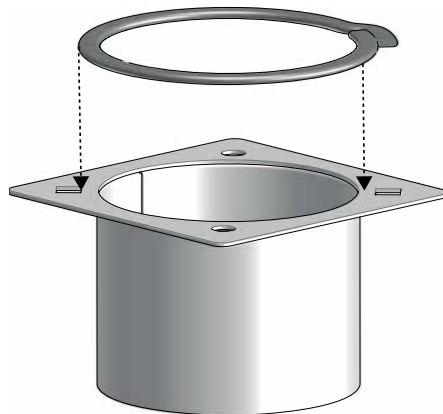
1. Posizionare l'inserto su una superficie idonea, assicurandosi che il peso non poggi sui bulloni nella parte inferiore della camera di combustione. Ciò può essere effettuato utilizzando il pallet e i materiali in legno in dotazione con il prodotto.

Fig. 20



1. Rimuovere il coperchio di circolazione dell'aria esterna (posteriore (A) o inferiore (B)) con le pinze.

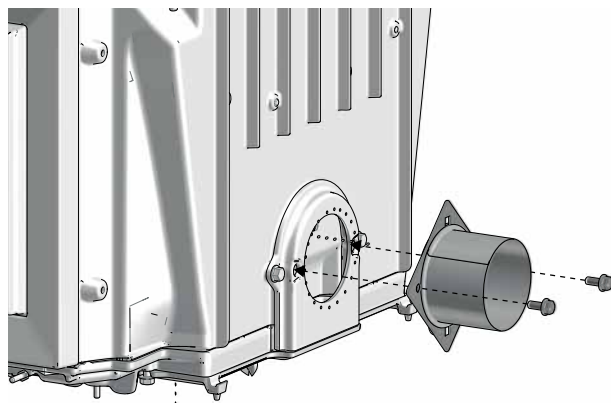
Fig. 21



1. Estrarre la carta protettiva dalla guarnizione in dotazione. Posizionare la guarnizione sull'adattatore dell'aria esterna.

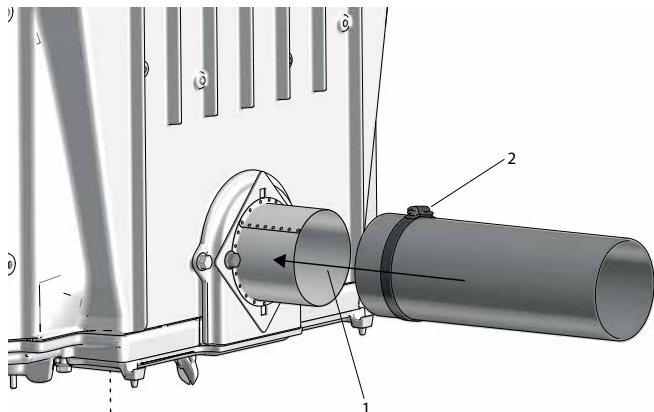
Condotto per l'aria esterna - uscita posteriore

Fig. 22



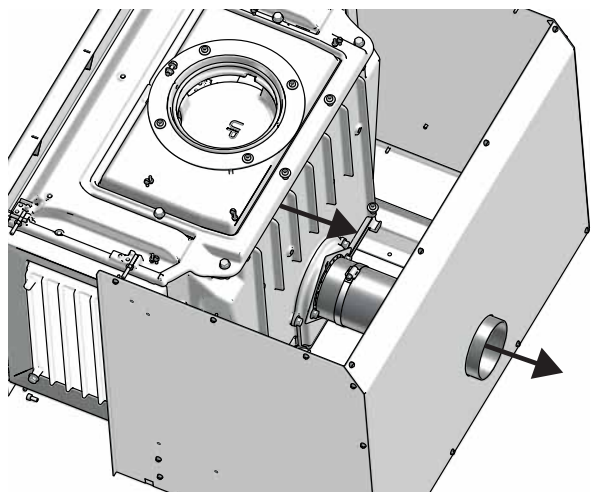
1. Montare l'adattatore dell'aria esterna nell'uscita posteriore con le viti in dotazione nel sacchetto delle viti (utilizzare una chiave da 13 mm).

Fig. 23



1. Posizionare un tubo flessibile sull'esterno dell'adattatore dell'aria esterna.
2. Serrare la fascetta stringitubo con un cacciavite o una chiave a bussola da 7 mm.

Fig. 24

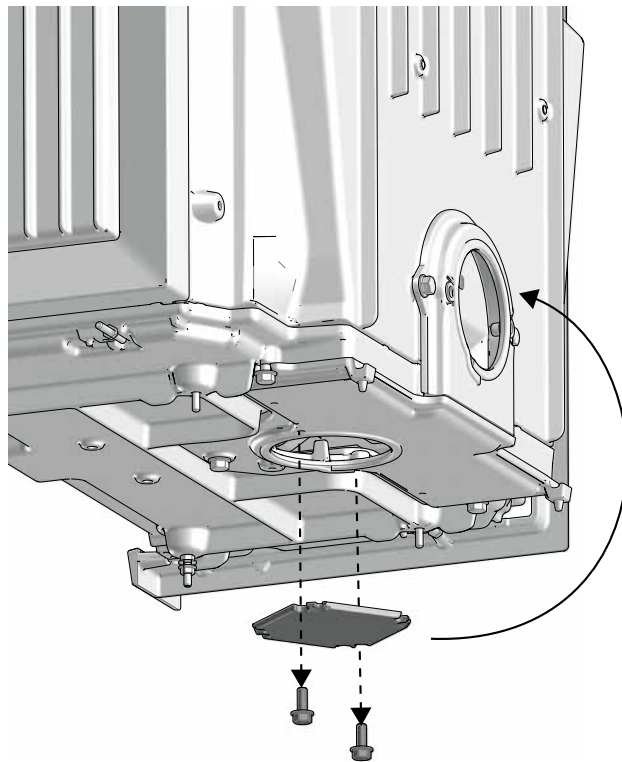


1. Posizionare nuovamente l'inserito nella camera di convezione, con il tubo attraverso l'uscita posteriore. Il tubo flessibile può anche essere installato dall'esterno della camera di convezione.

Il supporto frontale può essere rimosso (vedi fig. 17)

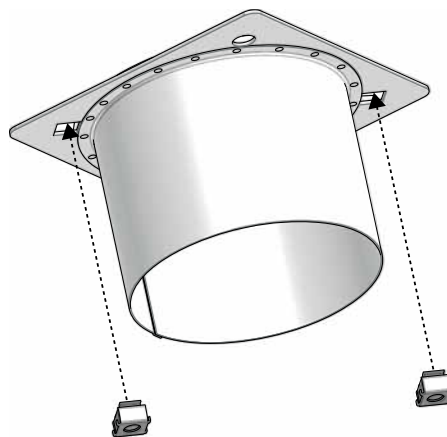
Condotto per l'aria esterna - Uscita inferiore

Fig. 25



Spostare il coperchio dell'aria esterna dall'uscita inferiore all'uscita posteriore.

Fig. 26



1. Fissare i dadi quadrati in dotazione nel sacchetto delle viti all'adattatore dell'aria esterna.

L'adattatore dell'aria esterna deve essere fissato dall'interno della camera di combustione. Per accedere alla parte inferiore della camera di combustione, è necessario rimuovere alcuni componenti. Per prima cosa, rimuovere il blocco dei ceppi (Fig. 36), le piastre refrattarie (Fig. 37) il coperchio di ventilazione (Fig. 40a) e il fondo interno (Fig. 40b).

Fig. 27a Rimozione dei pannelli isolanti

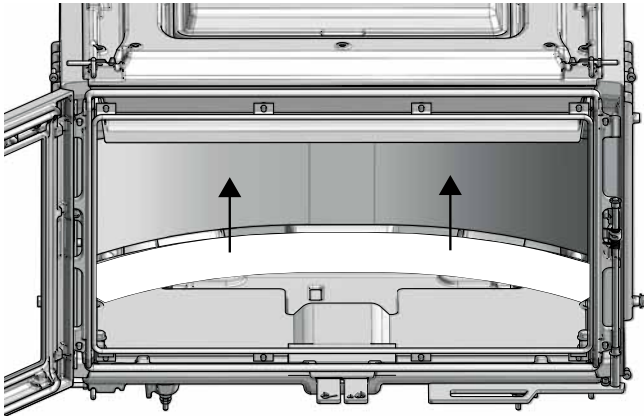


Fig. 27b

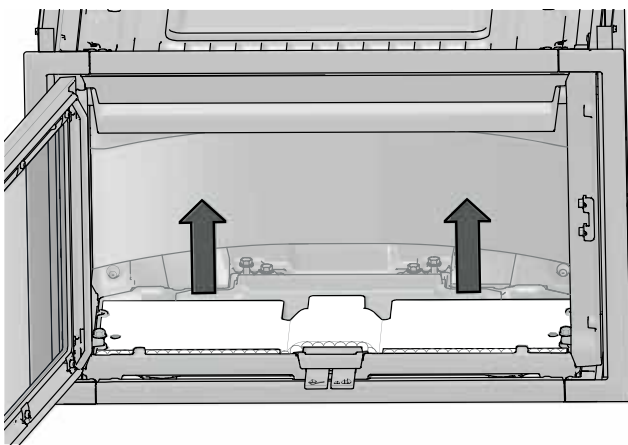
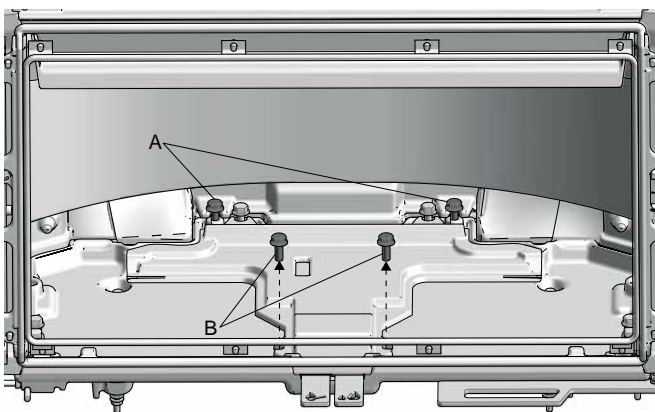
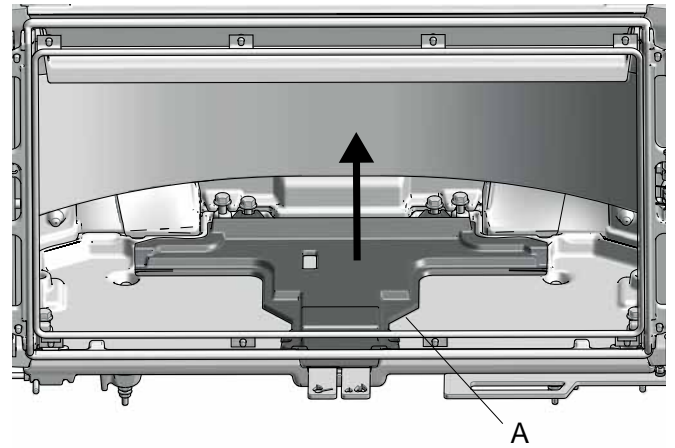


Fig. 28a



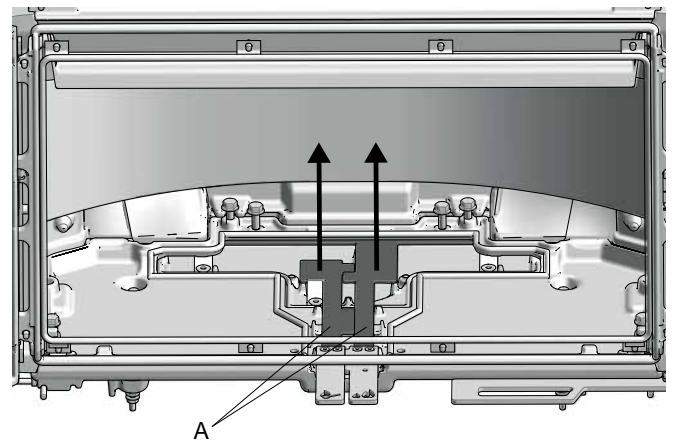
1. Allentare le due viti posteriori (A), non rimuoverle.
2. Svitare le due viti anteriori (B).

Fig. 28b



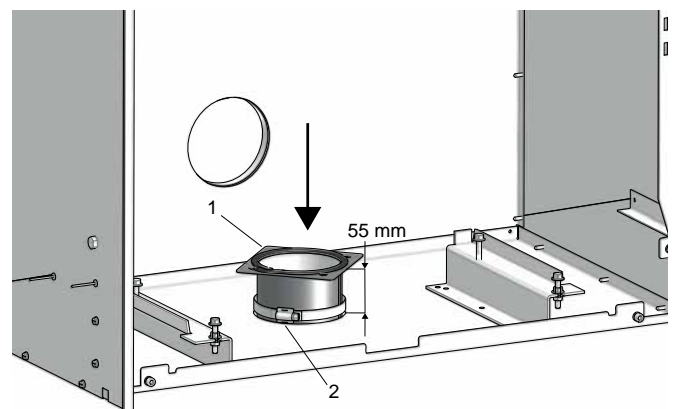
3. Sollevare ed estrarre il fondo dell'aria esterna (A) inclinandolo.

Fig. 29



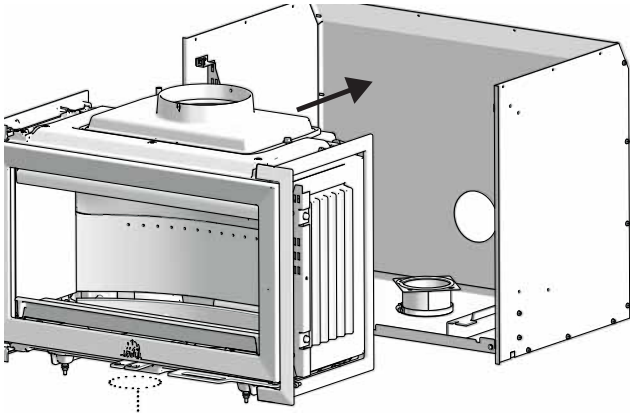
1. Rimuovere le valvole di presa d'aria (A)

Fig. 30



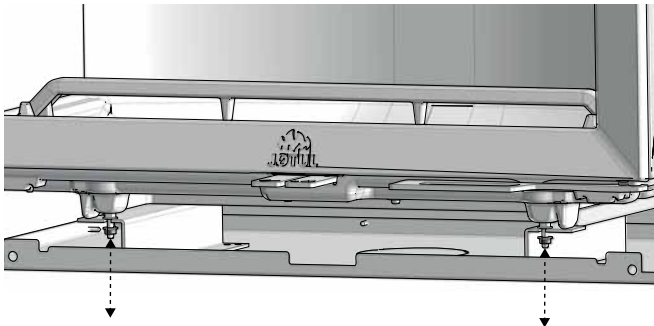
1. Posizionare l'adattatore dell'aria esterna con una fascetta stringitubo nell'uscita inferiore della cassetta.
2. Assicurarsi che la distanza tra l'uscita inferiore e la parte superiore dell'adattatore sia di circa 55 mm. L'adattatore deve poggiare sulla fascetta.

Fig. 31



1. Posizionare nuovamente l'inserito nella cassetta.

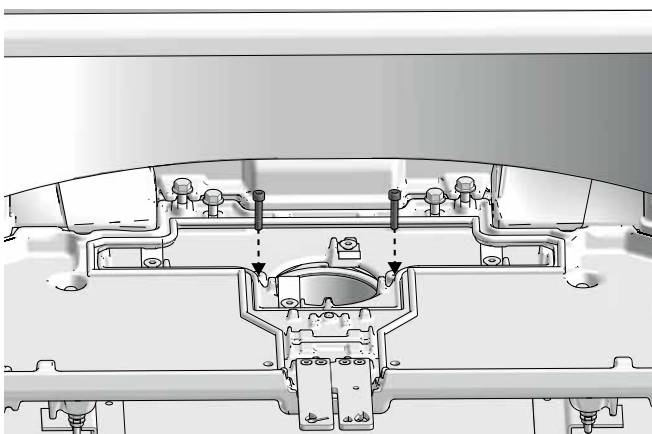
Fig. 32



1. Serrare i due dadi nella parte inferiore della camera di combustione, per fissarla nella cassetta.

Il supporto frontale può essere rimosso (vedi fig. 17)

Fig. 33



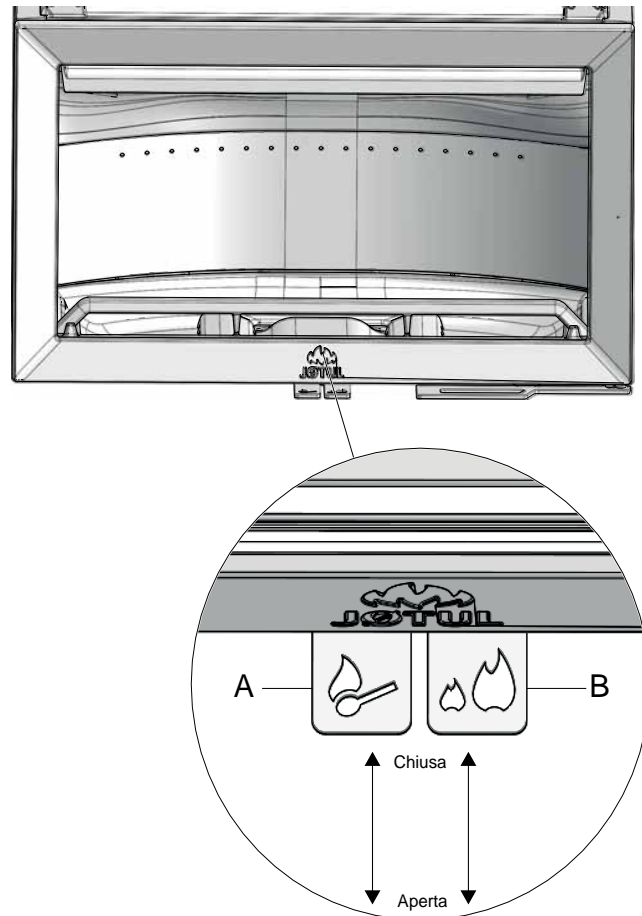
1. Fissare l'adattatore dell'aria esterna in posizione con due viti da 25 mm dall'interno della camera di combustione, con una chiave a brugola di 5 mm. Le viti sono contenute nel sacchetto delle viti.

Montare nuovamente tutti i componenti nella camera di combustione, seguendo la stessa procedura in ordine inverso.

4.9 Controllo delle prestazioni

Una volta assemblato il prodotto, controllare sempre le manopole di comando. Devono muoversi facilmente e funzionare in modo soddisfacente.

Fig. 34



Jøtul C 620 è dotato delle seguenti opzioni di funzionamento::

Presa di accensione (Fig. 34A)

Presa d'aria (Fig. 34B)

5.0 Utilizzo giornaliero

Odori al primo utilizzo del caminetto

Quando il caminetto viene utilizzato per la prima volta, può emettere un gas irritante dal lieve odore. Ciò si verifica perché la vernice si secca. Il gas non è tossico, tuttavia il locale deve essere ventilato approfonditamente. Lasciare bruciare il fuoco con un tiraggio elevato, fino a far scomparire ogni traccia di gas, fumo e odore.

Tenere chiuso lo sportello durante l'utilizzo (l'uso a sportello aperto non è autorizzato per il prodotto).

Nota! Alcune parti della stufa a legna, specialmente le superfici esterne, si scaldano durante l'uso. Prestare la debita attenzione!

Consiglio per l'alimentazione della stufa

Nota: i ceppi conservati all'aperto o in un locale freddo devono essere collocati all'interno 24 ore prima dell'uso, al fine di portarli alla temperatura ambiente.

Ci sono vari modi per alimentare la stufa, tuttavia è sempre importante prestare attenzione a ciò che viene collocato nella stufa. Consultare la sezione **“Qualità della legna”**.

La bruciatura con una scarsa circolazione dell'aria può causare una combustione insufficiente, una ridotta efficienza energetica e una maggiore emissione di particelle, nerofumo e altri composti nocivi alla salute e all'ambiente..

5.1 Qualità della legna

Per “legna di qualità” si intendono tipi di legna generalmente conosciuti come la betulla, l'abete e il pino.

I ceppi devono essere asciugati, in modo che il contenuto di umidità non sia superiore al 20%.

A tal fine, si consiglia di tagliare i ceppi alla fine dell'inverno. Tagliarli e impilarli in modo da garantire una buona ventilazione. Le pile di legna devono essere coperte per proteggere i ceppi dalla pioggia. Portare i ceppi all'interno all'inizio dell'autunno e impilarli/conservarli per utilizzarli in inverno.

Prestare particolare attenzione a non utilizzare mai i seguenti materiali come combustibile per il caminetto:

- Rifiuti domestici, buste di plastica, ecc.
- Legname verniciato o impregnato (in quanto estremamente tossico).
- Assi di legno laminato.
- Cumuli di legname trasportato dalla corrente

Possono danneggiare il prodotto e sono anche inquinanti.

NB: Non usare mai benzina, paraffina, alcool metilico o liquidi simili per accendere il fuoco. Si potrebbero causare gravi lesioni a se stessi e danni al prodotto

5.2 Consumo di legna

Jøtul C 620 ha una portata termica nominale di ca. **8 kW**. Uso di legna con una produzione nominale di calore: Circa **2,46 kg/h**. Le dimensioni dei ciocchi devono essere pari a:

Fascine:

Lunghezza: 20-30 cm

Diametro: 6-10 cm

Quantità per un'accensione: 3 pezzi

Legna da ardere (spaccata):

Lunghezza: Ca 24-30 cm

Intervallo di aggiunta della legna: circa ogni 49 minuti

Aumento della fiamma: 1,92 kg

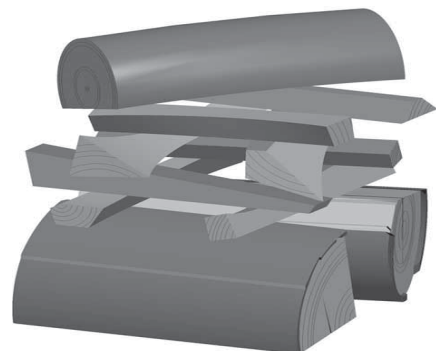
Quantità per carica: 3 pezzi

I risultati dei test dati sono stati ottenuti caricando 3 ciocchi di legna di 24 cm, peso totale di 1,92 kg. I registri sono disposti in un triangolo. Presa di accensione regolato per circa il 63% di aria e presa d'aria regolato per circa il 75 % di aria

5.3 Accensione iniziale

- Aprire la presa d'aria spostandola tutta a destra / la valvola di accensione estraendo completamente la maniglia. Se necessario, tenere leggermente aperta la porta. (quando la maniglia è calda è opportuno utilizzare un guanto).
- Collocare due ceppi di medie dimensioni su ciascun lato della base (**fig. 35**). **N.B.** Al fine di evitare che il vetro si copra di fuliggine, è importante che i ciocchi non vengano sistemati in prossimità del vetro sul prodotto.
- Sistemare tra la legna dei fogli di giornale appallottolati oppure dei trucioli, aggiungerne alcune fascine disposte a incrocio e accendere i fogli di giornale.
- Aumentare gradualmente le dimensioni dei ceppi di legno.
- Infine, posiziona un tronco di media grandezza in cima alla pila.
- Regolare la presa d'aria superiore in modo da ottenere il tasso di combustione per il livello di riscaldamento desiderato.
- Chiudere la porta della stufa. Deve sempre essere chiusa quando si accende il fuoco.

Fig. 35



Aggiunta della legna

Alimentare frequentemente la stufa, aggiungendo solo piccoli quantitativi di combustibile alla volta. Se la stufa è troppo piena, il calore creato potrebbe causare sollecitazioni estreme della canna fumaria. Aggiungere con moderazione il combustibile al fuoco. Evitare i fuochi che bruciano senza fiamme, dato che ciò produrrà il massimo inquinamento. Un fuoco ottimale si ottiene con una buona bruciatura e un fumo in uscita dalla canna fumaria quasi invisibile.

Pericolo di surriscaldamento

Il caminetto non deve mai essere utilizzato in modo tale da causare surriscaldamento

Il surriscaldamento si verifica in presenza di un eccesso di combustibile e/o di aria, causando un calore eccessivo. Un segno evidente di surriscaldamento è la presenza di un bagliore rosso in alcune parti del caminetto. Se ciò dovesse accadere, ridurre immediatamente l'apertura della presa d'aria.

Consultare un professionista se si sospetta che la canna fumaria non presenti un tiraggio corretto (tiraggio eccessivo o scarso). Per ulteriori informazioni, consultare il capitolo "4.0 Installazione" (Canna fumaria e condotto).

Condensa

Può capitare di riscontrare fenomeni di condensa nella camera di combustione / tubi / canna fumaria. Questo dipende dall'umidità della legna o da differenze di temperature nella camera di combustione o nell'ambiente.

La condensa nella camera di combustione appare come un liquido nero. Questa deve essere rimossa per evitare danni alla colorazione del prodotto, del pavimento o del rivestimento. Per questo è importante una fase di accensione veloce che limiti la produzione di condensa.

Se l'afflusso di condensa continua si può usare della sabbia minerale sul fondo della camera di combustione.

5.4 Come vento e agenti atmosferici influiscono sulla stufa

Le performance della stufa possono essere influenzate notevolmente dal vento che agisce sul camino con una forza diversa. Pertanto può essere necessario regolare l'alimentazione dell'aria per garantire buone performance di combustione.

Nebbia e foschia possono avere un impatto significativo sul tiraggio del camino e può essere necessario utilizzare impostazioni dell'aria di combustione per garantire buone performance.

5.4 Canna fumaria

La canna fumaria è il motore che aziona il camino ed è essenziale possedere una buona canna fumaria perché il focolare funzioni correttamente.

Il tiraggio nella canna fumaria crea un vuoto nella stufa. Tale vuoto estrae il fumo dalla stufa e aspira aria attraverso il parafiamma dell'aria di combustione per alimentare il processo di combustione.

L'aria di combustione viene anche utilizzata per il sistema di lavaggio ad aria che mantiene pulita la finestra dalla fuliggine.

Il tiraggio nella canna fumaria è causato dalla differenza di temperatura all'interno e all'esterno della canna fumaria. Maggiore è la differenza di temperatura, migliore sarà il tiraggio nella canna fumaria. Pertanto è importante consentire alla canna fumaria di raggiungere la temperatura operativa prima di regolare le prese d'aria per limitare la combustione nella stufa (una canna fumaria in muratura richiede più tempo per raggiungere la temperatura operativa rispetto ad una canna fumaria in acciaio).

È particolarmente importante raggiungere la temperatura operativa il più rapidamente possibile nei giorni in cui il tiraggio della canna fumaria non è ideale a causa di condizioni di vento e clima sfavorevoli. Assicurarsi che il combustibile si accenda il più rapidamente possibile. Suggerimento pratico: Tagliare la legna in pezzi molto più piccoli e utilizzare un'esca per il fuoco aggiuntiva.

Nota: Se la stufa non è stata utilizzata per diverso tempo, è importante verificare l'assenza di eventuali ostruzioni nel tubo della canna fumaria.

6.0 Manutenzione

6.1 Pulizia del vetro

Sarà comunque inevitabile l'accumulo di un po' fuliggine sul vetro, la cui quantità dipenderà dalle condizioni di tiraggio locale e dalla regolazione della presa d'aria. La maggior parte della fuliggine verrà normalmente bruciata quando si apre completamente la presa d'aria mentre il fuoco brucia vivacemente nel camino.

Suggerimento utile! Per la pulizia generale, utilizzare carta da cucina inumidita con acqua calda e aggiungere della cenere presa dalla camera di combustione. Pulire il vetro con la carta, quindi risciacquarlo con acqua pulita e asciugarlo completamente. Se fosse necessario pulire il vetro più a fondo, utilizzare un detergente per vetri (seguire le istruzioni riportate sul flacone).

6.2 Rimozione della cenere

- Rimuovere la cenere solo con il caminetto freddo.
- Utilizzare un badile per raschiare via la cenere, ma lasciarne sempre un po' sul fondo della camera di combustione come strato isolante protettivo.

La cenere deve essere posta fuori in un contenitore di metallo

6.3 Pulizia e rimozione della fuliggine

I depositi di fuliggine possono accumularsi sulle superfici interne del caminetto durante l'uso. La fuliggine è un buon isolante, pertanto riduce la potenza termica del caminetto. Se si accumulano depositi di fuliggine durante l'utilizzo del prodotto, per rimuoverli è sufficiente utilizzare un detergente specifico.

Al fine di impedire la formazione di acqua e di uno strato di pece liquida nel caminetto, consentire regolarmente la presenza di fiamme particolarmente calde per rimuovere lo strato. È richiesta una pulizia interna annuale per ottenere i migliori risultati termici dal prodotto. Si consiglia di effettuarla insieme alla pulizia della canna fumaria e dei condotti.

ITALIANO

6.4 Pulizia dei condotti alla canna fumaria

I condotti devono essere spazzati attraverso l'apposito portello o l'apertura della porta. Quindi, è necessario rimuovere il parafiamma e il deflettore di aspirazione.

6.5 Ispezione del caminetto

Jøtul raccomanda di ispezionare attentamente il proprio caminetto dopo averlo spazzato e pulito. Controllare tutte le superfici visibili per individuare eventuali crepe. Controllare anche che tutti i giunti siano sigillati e che tutte le guarnizioni siano nelle posizioni corrette. Qualsiasi guarnizione che mostri segni di usura o deformazione deve essere sostituita.

Pulire accuratamente le scanalature delle guarnizioni, applicare della colla per ceramica (disponibile presso il proprio rivenditore Jøtul locale) e premere la guarnizione in posizione. Il giunto si asciugherà rapidamente.

6.6 Manutenzione esterna

Il colore dei prodotti verniciati può alterarsi dopo svariati anni di utilizzo. La superficie deve essere pulita e spazzolata in modo da rimuovere ogni residuo prima di applicare la nuova vernice.

Importante! Non collocare mai niente sulla piastra superiore della stufa. Questo potrebbe causare danni permanenti alla vernice o allo smalto.

7.0 Assistenza

È vietata ogni modifica non autorizzata al prodotto. Utilizzare solo ricambi originali.

Utilizzare gli utensili con grande attenzione.

7.1 Sostituzione delle piastre refrattarie

Fig. 36 Rimuovere il contenitore dei ceppi

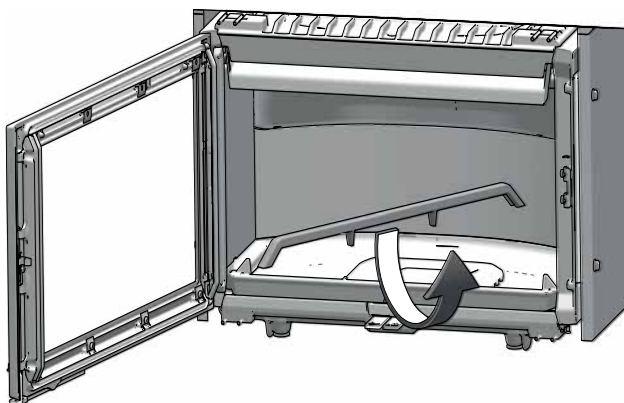


Fig. 37a

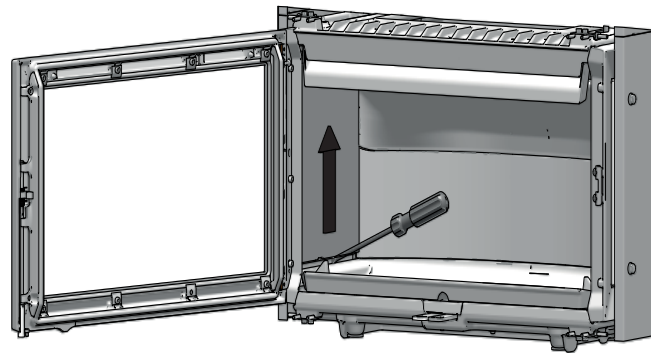
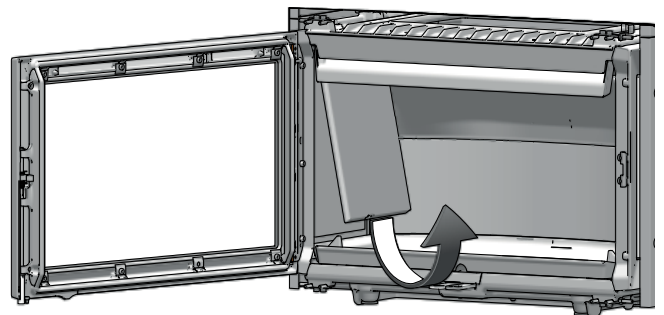


Fig. 37b

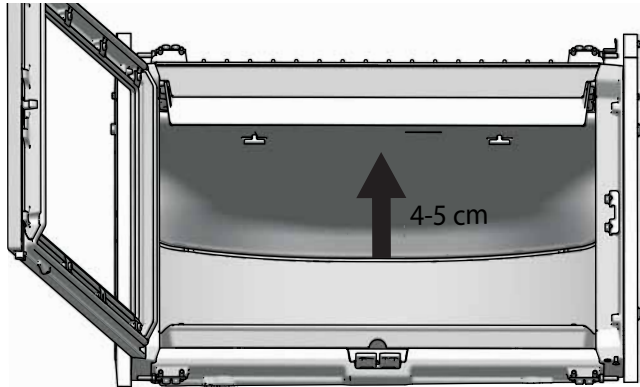


1. Rimuovere la piastra refrattaria sollevandola e inclinandola per estrarla dalla stufa
2. Per reinserire i componenti estratti, seguire la stessa procedura in ordine inverso.

7.2 Sostituzione della piastra del parafiamma

Per prima cosa, rimuovere le piastre refrattarie laterali (Fig. 35). Non è necessario rimuovere la piastra refrattaria posteriore.

Fig 38a



1. In primo luogo sollevare il piastra del parafiamma.

Fig 38b

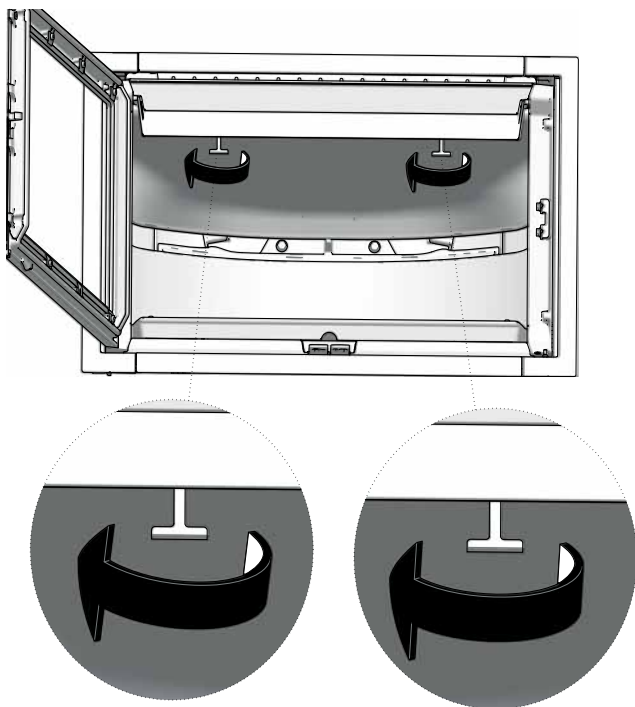
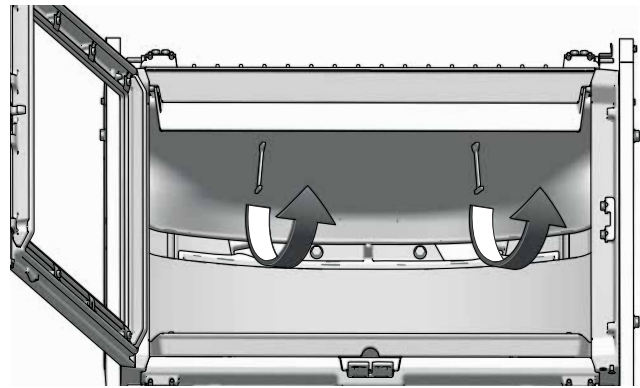
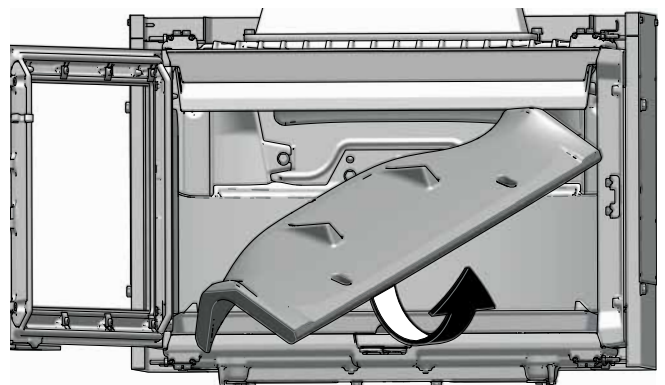


Fig 38c



2. Ruota le chiavi quindi rimuovile.

Fig 38d

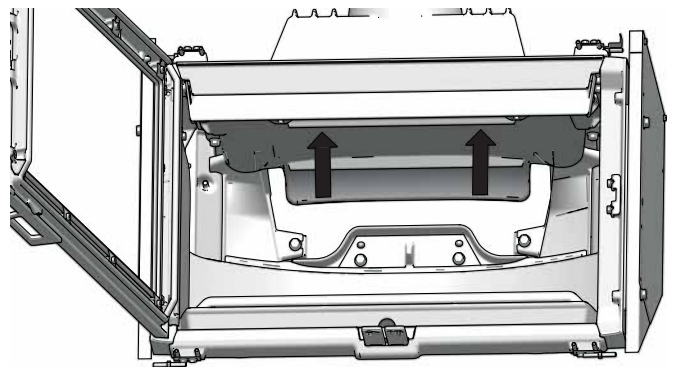


3. Inclinare ed estrarre il parafiamma.

4. Per reinserire i componenti estratti, seguire la stessa procedura in ordine inverso.

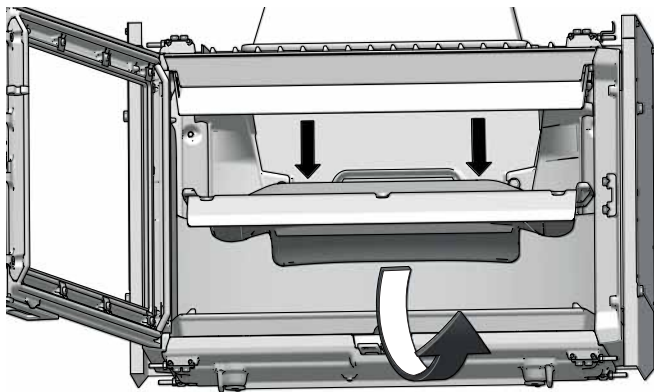
7.2 Sostituzione del deflettore di aspirazione

Fig 39a



1. Spingere il deflettore verso l'alto e verso l'interno

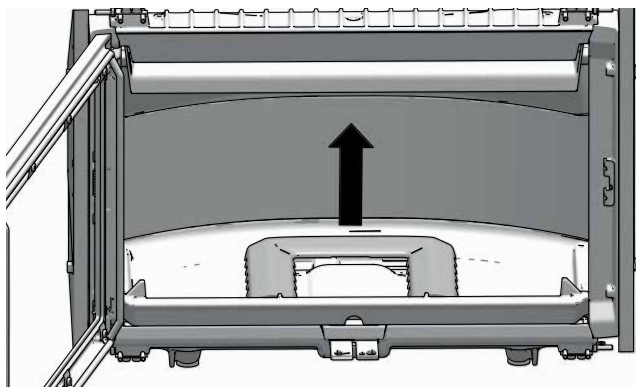
Fig 39b



2. Estrarre il deflettore di aspirazione inclinandolo.
3. Per reinserire i componenti estratti, seguire la stessa procedura in ordine inverso.

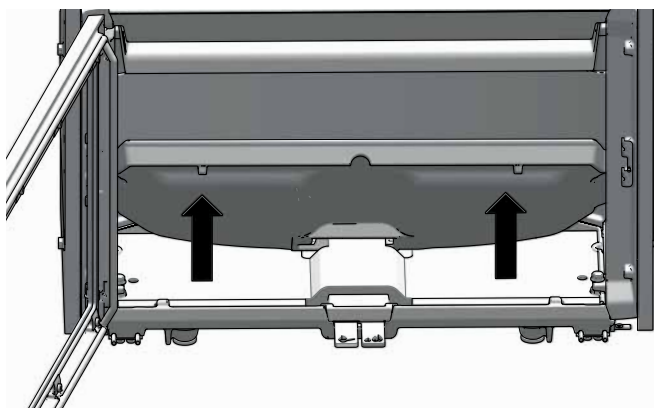
7.3 Sostituzione del fondo interno

Fig 40a



1. Rimuovere il coperchio di ventilazione.

Fig 40b



2. Sollevare ed estrarre il fondo interno inclinandolo.
3. Per reinserire i componenti estratti, seguire la stessa procedura in ordine inverso..

8.0 Risoluzione dei problemi

Scarso tiraggio

Verificare la lunghezza della canna fumaria e la conformità alle norme nazionali (per informazioni, vedere anche le sezioni «2.0 Dati tecnici» e «4.0 Installazione» (Canna fumaria e condotto) nel manuale di installazione).

Accertarsi che la sezione trasversale minima della canna fumaria sia conforme a quanto riportato nella sezione «2.0 Dati tecnici» del manuale di installazione.

Verificare che non ci sia nulla che impedisca il deflusso del fumo: rami, alberi e così via.

Se si sospetta un tiraggio eccessivo o insufficiente della canna fumaria, rivolgersi a un tecnico specializzato per la misurazione e la regolazione.

Il camino e spegnimento del fuoco

- Accertarsi che la legna sia sufficientemente secca.
- Verificare che ci sia una pressione negativa nella stanza, spegnere le ventole meccaniche e aprire una finestra nelle vicinanze del camino.
- Controllare che la presa d'aria sia aperta.
- Controllare che il condotto di scarico dei fumi non sia intasato dalla fuliggine.

Accumulo anomalo di fuliggine sul vetro

È inevitabile che si accumuli della fuliggine sul vetro, ma la sua quantità dipende da:

- Umidità del combustibile.
- Condizioni di tiraggio del locale.
- Apertura della presa d'aria.

Gran parte della fuliggine viene normalmente bruciata quando la presa d'aria è completamente aperta e il fuoco arde vivacemente nel camino.

9.0 Accessori opzionali

9.1 Ventola

(Cat. no. 50054865)

9.2 Kit del condotto per l'aria esterna Ø 100 mm

(Cat. no. 51042164)

9.3 Fermo della porta completo sinistra

Per porte con cardini a destra

(Cat. no. 50045754)

10.0 Riciclo

10.1 Riciclo degli imballaggi

Il prodotto che avete acquistato è dotato dei seguenti imballaggi:

- Pallet di legno che può in questo caso essere tagliato e bruciato (non fatelo con altri bancali perché potrebbero avere materiali impregnati che danneggiano il prodotto).
- Un cartone che deve essere consegnato alla società del vostro comune che si occupa del ritiro dei cartoni.
- Sacchetti in plastica che devono essere messi negli appositi contenitori come da regolamento comunale.

10.2 Riciclo del prodotto

Il prodotto che avete acquistato è così fabbricato:

- Metallo che può essere portato da aziende che si occupano del riciclo di questo materiale.
- Vetro che deve essere portato alle piattaforme ecologiche in quanto non può essere considerato vetro per il riciclo.
- Interno in vermiculite che deve essere messo nei normali contenitori.

11.0 Termini della garanzia

1. La nostra garanzia copre:

Jøtul AS garantisce che i componenti esterni in ghisa sono esenti da difetti di materiali o lavorazione al momento dell'acquisto. È possibile estendere la garanzia per i componenti esterni in ghisa fino a 25 anni dalla data di consegna registrando il prodotto sul sito jotul.com e stampando la scheda di garanzia estesa entro tre mesi dall'acquisto. Consigliamo di conservare la scheda della garanzia assieme allo scontrino. Jøtul AS garantisce inoltre che i componenti delle piastre in acciaio sono esenti da difetti di materiali o lavorazione al momento dell'acquisto per un periodo di 5 anni dalla data di consegna.

La garanzia è valida a condizione che la stufa sia stata installata da un installatore qualificato conformemente con le leggi e normative applicabili e con le istruzioni di installazione e operative di Jøtul. I prodotti riparati e gli articoli sostitutivi sono garantiti per il periodo originale della garanzia.

2. La garanzia non copre:

- 2.1. Danni ai consumabili come le piastre refrattarie, le grate del fuoco, i parafiamma, le guarnizioni ed elementi simili, essendo soggetti a deterioramento nel tempo a causa della normale usura
- 2.2. Danni causati da manutenzione impropria, surriscaldamento, uso di combustibile non idoneo (esempi di combustibili non idonei sono, senza limitazione, cumuli di legname trasportato dalla corrente, legna impregnata, ritagli di assi, truciolato) o legna troppo umida/bagnata
- 2.3. Installazione di accessori opzionali per la modifica delle condizioni di tiraggio locali, la circolazione dell'aria o altre circostanze al di fuori del controllo di Jøtul
- 2.4. Casi di alterazione / modifica del focolare senza il previo consenso di Jøtul o l'utilizzo di parti non originali
- 2.5. Danni causati durante l'immagazzinaggio presso un distributore, il trasporto dal distributore o durante l'installazione
- 2.6. Prodotti venduti da rivenditori non autorizzati in aree in cui Jøtul opera un sistema di distribuzione selettiva
- 2.7. Costi associati (ad es., senza limitazione, trasporto, manodopera, trasferimento) o danni indiretti

Stufe a pellet, vetro, pietra, cemento, smalto e finitura a vernice (ad es., senza limitazione, scheggiatura, formazione di crepe, bolle o scolorimento e screpolatura) sono applicabili alle normative nazionali che disciplinano la vendita dei prodotti al consumo. La presente garanzia è valida per gli acquisti effettuati all'interno del territorio dello Spazio economico europeo. Qualsiasi domanda relativa alla garanzia deve essere rivolta al rivenditore Jøtul autorizzato di zona entro un periodo di tempo ragionevole, non successivo a 14 giorni dalla data in cui il guasto o il difetto si sono manifestati per la prima volta. Vedere l'elenco dei rivenditori sul nostro sito Web.jotul.com.

Se Jøtul non sarà in grado di rispettare i termini della garanzia per la stufa del cliente (fuori produzione), Jøtul offrirà al cliente una stufa di pari capacità di riscaldamento ma di modello differente.

Jøtul si riserva il diritto di rifiutare qualsiasi sostituzione di componenti o attività di assistenza nel caso in cui la garanzia non sia stata registrata online. La presente garanzia non pregiudica alcun diritto previsto dalle normative nazionali che disciplinano la vendita di prodotti al consumo. Il diritto di reclamo del cittadino è valido dalla data di acquisto e solo dietro presentazione di scontrino/numero di serie.

Índice

1.0 Relación con las autoridades.....	67
2.0 Información técnica.....	67
3.0 Seguridad.....	70
4.0 Instalación.....	71
5.0 Uso diario.....	81
6.0 Mantenimiento.....	83
7.0 Conservación.....	83
8.0 Problemas de funcionamiento: solución de problemas.....	85
9.0 Equipo opcional.....	86
10.0 Reciclaje.....	86
11.0 Términos de la Garantía.....	86

Registre su chimenea en jotul.com y disfrute de 25 años de garantía.

Product: Jotul Room heater fired by solid fuel			
CE			
Standard	:		
Minimum distance to adjacent combustible materials:	:		
Minimum distance to adjacent non-combustible materials:	:		
Emission of CO in combustion products:	:		
Flue gas temperature	:		
Nominal heat output	:		
Efficiency	:		
Operation range	:		
Fuel type	:		
Operational type	:		
The appliance can be used in a shared flue.			
Country	Classification	Certification standard	Approved by
Norway	Klasse II		
Sweden	ovc	SP	SP Sveriges Provning- och Forskningsinstitut AS
EUR	Intermittent	EN	SP Swedish National Testing and Research Institute
Follow user's instructions. Use only recommended fuels. Montage- und Bedienungsanleitung beachten. Verwenden Sie nur empfohlenen Brennstoffen. Respectez les consignes d'utilisation. Utilisez uniquement les combustibles recommandés.			
Lot no: Y-xxxx, Year: 200x			
Manufacturer:	221546		
Jotul AS			
POB 1 641			
N-1602 Fredrikstad			
Norway			

Todos nuestros productos disponen de una etiqueta que indica su número de serie y año. Escriba este número en el lugar indicado para ello en las instrucciones de instalación.

Indique siempre este número cuando se ponga en contacto con su distribuidor o con Jøtul.

Lot no. Pin.

1.0 Relación con las autoridades

La instalación de una estufa debe efectuarse con arreglo a la normativa legal de cada país. La instalación del producto debe cumplir toda la normativa local en vigor, incluyendo la que se aplica a nivel nacional y europeo.

La instalación sólo puede utilizarse una vez que haya sido revisada por un inspector cualificado.

Una lámina autoadhesiva de identificación resistente al calor se incluye con el producto. La lámina se encuentra en la bandeja de cenizas y debe ser fijada al producto en el lugar indicado en estemanual.

2.0 Información técnica

Material:	Hierro fundido
Acabado:	Esmalte negro
Combustible:	Madera
Salida del tubo de humos:	Superior
Dimensiones del tubo de humos:	Ø 150 mm/177 cm ² de sección
Conexión para aire exterior:	Tubo flexible de aluminio, Ø 100 mm
Distribución del aire caliente (2 conectores):	Tubo flexible de aluminio, Ø150 mm
Peso:	172 kg aprox.
Opciones:	Marcho ancho o estrecho
Accesorios opcionales:	Ventilador, kit de conexión para aire exterior Ø 100 mm, adaptador para tubo de humos, Pestillo de puerta completo izquierdo

Dimensiones del producto y distancias:

Consulte la **figura 1**

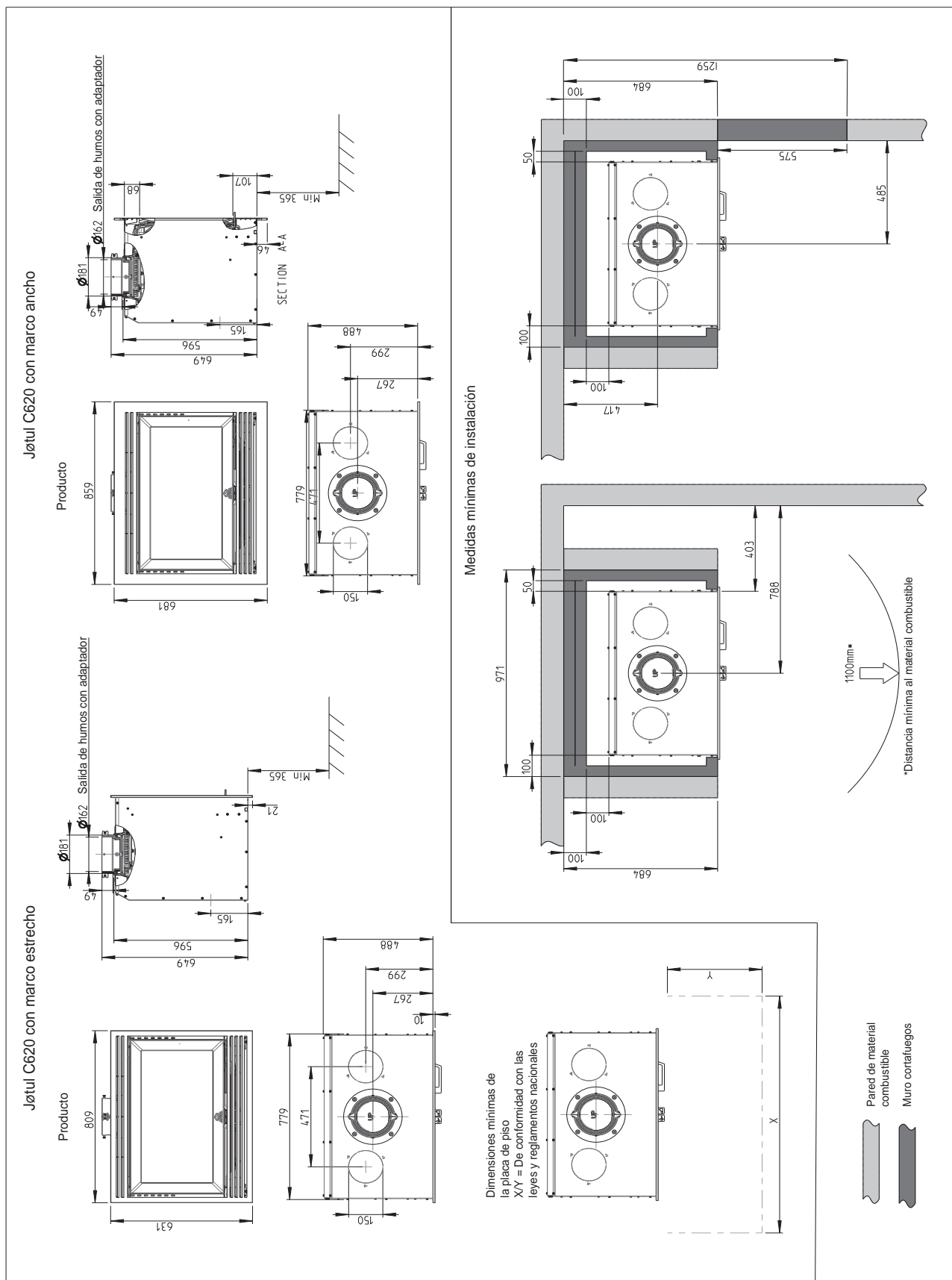
Especificaciones técnicas conforme a EN 13229

Potencia calorífica nominal:	8 kW
Volumen de humos:	7,9 g/s
Tiro de la chimenea, EN 13229:	12 Pa
Presión negativa recomendada en la salida de humos:	14-16 Pa
Rendimiento:	78% a 8 kW
Emisiones de CO (13% O ₂):	0,052%
Emisiones de CO (13% O ₂):	653 mg / Nm ³
Nox al 13% O ₂ :	92 mg/Nm ³
OGC al 13 % O ₂ :	36 mg/Nm ³
Consumo nominal de aire:	24 m ³ /h
Temperatura de la chimenea, EN 13229:	269 °C
Polvo:	11 mg/Nm ³ al 13%O ₂
Tipo de combustible:	Madera
Longitud recomendada de leño:	30-60 cm
Longitud máx. de leño:	60 cm
Consumo de combustible:	2,46 kg/h
Consumo máx. de leña:	3,5 kg
Cantidad máx. de leña:	1,8-1,9 kg
Funcionamiento:	Intermitente

En este contexto, "combustión intermitente" hace referencia al uso normal de una estufa o chimenea. Es decir, para seguir produciendo calor ha de añadirse más combustible tan pronto la carga de madera anterior haya sido reducida a rescoldos.

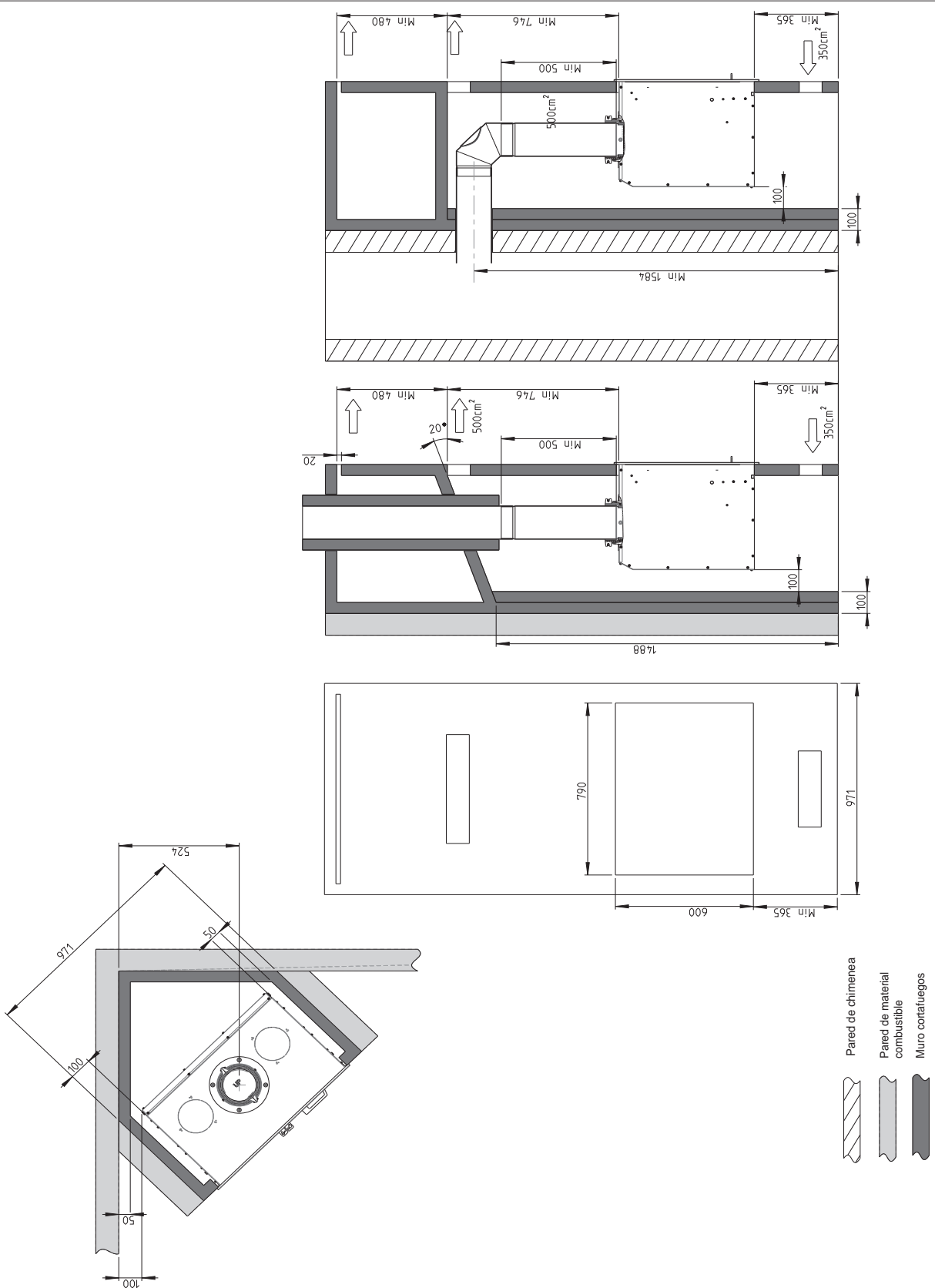
Jøtul C620

Fig. 1a



Jøtul C620

Fig. 1b



3.0 Seguridad

N. B.: para garantizar un rendimiento y seguridad óptimos, Jøtul recomienda que sus estufas sean instaladas por un instalador cualificado (consulte la lista íntegra de distribuidores en www.jotul.com).

Cualquier modificación del producto por parte del distribuidor, instalador o usuario puede motivar que el producto y sus prestaciones de seguridad no funcionen del modo previsto. Esto también se aplica a la instalación de accesorios o extras opcionales suministrados por terceros. Lo mismo puede suceder si se desmontan o retiran componentes esenciales para el funcionamiento y la seguridad de la estufa.

En cualquier caso, el fabricante no se hará responsable del producto y el derecho a realizar una reclamación quedará anulado y sin validez.

3.1 Medidas de prevención de incendios

Existe un cierto elemento de riesgo cada vez que se usa la estufa. Por lo tanto, deben respetarse las siguientes instrucciones:

- Las distancias mínimas de seguridad al utilizar la estufa se muestran en la **fig. 1**.
- Asegúrese de que no haya muebles ni otros elementos inflamables demasiado cerca de la estufa. Los elementos inflamables no deberían estar a menos de 1100 mm de la estufa.
- Deje que el fuego se consuma por sí solo. Nunca apague las llamas con agua.
- La estufa se calienta cuando está encendida y puede causar quemaduras si se toca.
- Saque las cenizas solo con la estufa fría. Las cenizas pueden contener rescoldos calientes y, por lo tanto, deberán ponerse en un recipiente no inflamable.
- Las cenizas deberán sacarse al exterior o vaciarse en un lugar donde no supongan un riesgo de incendio.

Si se produce un incendio en la chimenea

- Cierre todas las trampillas y los respiraderos.
- Cierre la puerta de la estufa.
- Llame a los bomberos.
- Después de producirse un incendio, un experto deberá comprobar la estufa y la chimenea antes de utilizarse para asegurar que funciona correctamente..

3.2 Suelo

Anclaje, base

Debe verificar que la base se adecue a la instalación de una estufa. Compruebe el peso especificado en «2.0 Especificaciones técnicas».

Se recomienda retirar el revestimiento del suelo que no vaya fijado a la superficie correspondiente («suelos flotantes»)

Protección de suelos de madera

El producto puede colocarse directamente sobre un suelo de madera previamente cubierto con una lámina de metal u otro material no inflamable. Se recomienda que tenga un grosor mínimo de 0.9mm. La placa deberá cubrir totalmente la superficie del suelo abarcada por la carcasa. La distancia entre el piso y el casete debe ser de un mínimo de 365 mm ver la figura 1.

Requisitos para la protección de suelos inflamables delante de la estufa

El suelo situado delante de la estufa debe salvaguardarse con una lámina de metal u otro material no inflamable. Grosor mínimo recomendado: 0.9 mm.

La placa delantera debe ajustarse a las leyes y normativas nacionales.

Consulte a las autoridades locales en materia de construcción sobre posibles restricciones y requisitos de instalación.

3.3 Paredes

- El producto debe colocarse de modo que sea posible limpiar la estufa, el conducto de humos y la salida de la chimenea.
- Asegúrese de que los muebles y otros enseres estén a una distancia de la estufa
- Asegúrese de que los muebles y otros enseres estén a una distancia de la estufa que evite que se sequen con el calor.

Distancia a paredes de material combustible - vea la fig. 1.

El horno debe instalarse con tubos de humos con aprobación CE. Al instalar la chimenea, se deben cumplir las regulaciones europeas, nacionales y locales con respecto a las distancias de seguridad para la chimenea, las tuberías de humo y la chimenea de acero. Tenga en cuenta que las tuberías de humo con marcado CE pueden tener una mayor distancia al material combustible que la chimenea.

Pared de materiales combustible protegidas con cortafuegos

Distancia a la pared de material combustible protegida con cortafuegos: vea la fig. 1.

3.4 Techo

La estufa puede instalarse con el borde superior del hueco de aire caliente a un mínimo de 480 mm bajo un techo de material inflamable. Asegúrese de que haya suficiente ventilación en la parte superior del sombrero, p.ej. un espacio bajo el techo.

4.0 Instalación

El cassette Jøtul C 620 está diseñado para encajar en el hueco de un hogar de obra preexistente (chimenea abierta). El hueco debe tener unas dimensiones mínimas de 590x780x490 mm (alto x ancho x fondo).

Nota: hay que dejar un pequeño espacio libre entre el casete y las paredes de obra para permitir la dilatación térmica del casete.

El aparato también se puede instalar en un revestimiento nuevo. El revestimiento debe tener un hueco mínimo de 600 x 790 x 584 mm (alto x ancho x fondo) y es importante dejar espacio suficiente para colocar el aislante que requiera el revestimiento. Con el marco ancho se pueden cerrar huecos de hasta 681 x 859 mm (alto x ancho).

4.1 Requisitos de aislamiento

Requisitos de aislamiento

Si instala el aparato en un revestimiento de obra con paredes combustibles revestidas de material aislante, este puede ser de los tipos y espesores siguientes:

- Tablero ignífugo Jøtul JGFW-5 de 50 mm (conductividad térmica específica = valor $\lambda = 0,06$ W/mK)
- Manta antiincendio de lana mineral de 50 mm (valor $\lambda = 0,046$ W/mK)
- Siporex de 150 mm (valor $\lambda = 0,144$ W/mK)

También puede usar otros materiales. El aislante utilizado debe tener idénticas propiedades de resistencia térmica* (R) o superiores que el material Jøtul JGFW-5 de 50 mm.

- *La resistencia térmica (R) indica la capacidad aislante de un material en relación con su espesor. La resistencia térmica (R) es el resultado de dividir el espesor (d) del material por su conductividad térmica. $R = d/\text{valor } \lambda$.*

El aislante Jøtul JGFW-5 tiene una resistencia térmica (R) de $0,83 \text{ m}^2 \cdot \text{K/W}$.

4.2 Entrada de aire exterior

En las viviendas bien aisladas, es necesario contar con una buena renovación del aire de combustión. Este punto es particularmente importante en las casas con ventilación mecánica. El aire de renovación se puede obtener de varias maneras. Lo más importante es que la estancia en la que se encuentre la estufa reciba un suministro de aire adecuado. Coloque el regulador de entrada de aire exterior tan cerca de la estufa como sea posible y asegúrese de mantenerlo cerrado cuando la estufa esté apagada.

Respete la normativa nacional y local al instalar la conexión de aire exterior.

Compruebe que el sistema de ventilación de la habitación en la que va a instalar la hogar no está bloqueado.

Sistema de combustión cerrada

Si la vivienda es de reciente construcción y cuenta con buenos cerramientos, utilice el sistema de combustión cerrada de la

estufa. Conecte la entrada de aire de combustión exterior mediante un tubo de ventilación que entre por la fachada o el suelo.

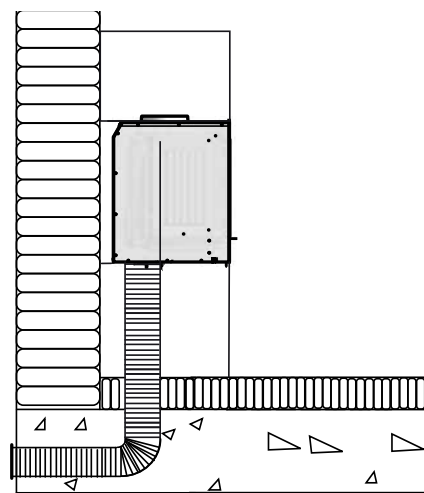
Suministro de aire

El volumen de aire de combustión para los productos de Jøtul es de aproximadamente $20\text{-}40 \text{ m}^3/\text{h}$.

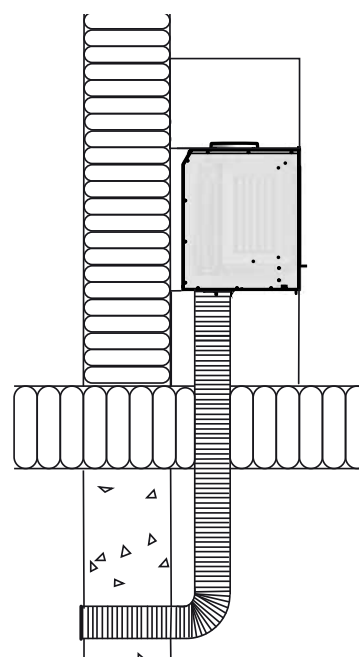
La conexión de aire exterior se puede conectar directamente a la Jøtul C 620 por:

- la parte inferior
- la parte trasera

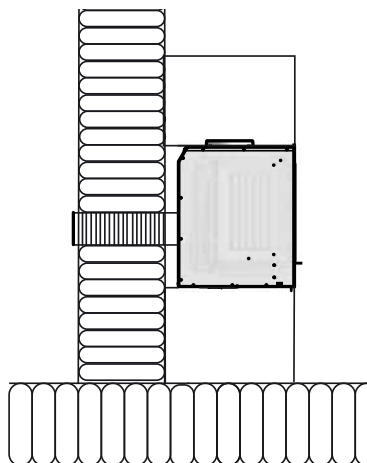
A través del suelo



A través del suelo y el piso inferior



A través de una pared exterior



4.3 Circulación del aire

Si instala el casete en un revestimiento nuevo, asegúrese de que pueda circular aire entre el casete y el revestimiento.

Circulación mín. de aire:

Base: apertura mínima de 350 cm².
 Parte superior: apertura mínima de 500 cm².

Las dimensiones indicadas constituyen una medida de seguridad encaminada a garantizar que la acumulación de calor dentro del revestimiento no sea excesiva y que la salida de calor a la habitación sea adecuada. La abertura debe colocarse en la parte superior de la estufa.

4.4 Distribución del aire caliente/ventilador

El aire caliente del casete se puede distribuir mediante uno o dos conductos de 150 mm de diámetro. Deben ser de un material resistente al calor e incombustible, por ejemplo, tubo flexible de aluminio. Los conductos se pueden calentar mucho, por lo que es importante que no toquen ningún material combustible. Con el aparato se suministran dos conectores para estos conductos (el tubo flexible de aluminio no está incluido). El uso de conductos para la distribución del aire caliente reduce el problema del cambio de color de la pintura justo encima del casete. Para mejorar la distribución del aire caliente, se puede instalar dentro del aparato un ventilador (accesorio opcional), tanto si se instalan conductos para la distribución del aire caliente, como si no. Consulte las instrucciones de instalación que se suministran con el ventilador.

4.5 Chimenea y tubo de humos

- La chimenea debe instalarse con un tubo de aspiración sin aislamiento que tenga una altura mínima de 500 mm.
- La sección de la chimenea debe ser como mínimo igual a la del tubo de humos. Consulte el apartado «2.0 Datos técnicos» para calcular la sección correcta de la chimenea. Nota: la longitud mínima recomendada de la chimenea es 3,5 m.
- El casete se puede conectar a chimeneas y tubos de humos homologados para estufas de combustible sólido con temperaturas del gas de combustión conformes con lo especificado en «2.0 Datos técnicos».

- En cuanto al tiro, consulte el valor recomendado en el apartado «2.0 Datos técnicos». Si el tiro es excesivo, tendrá que adoptar alguna medida para reducirlo, como instalar y regular una compuerta. Si se instala una compuerta de tiro, debe ser de un tipo que no bloquee totalmente el tiro. El amortiguador debe ser fácil de operar e incorporar una abertura dentro de la cuchilla, que en un área continua ocupe al menos 20 cm² o 3% del área de la sección transversal de la cuchilla si esta es mayor. La posición del amortiguador debe ser reconocible desde el ajuste del dispositivo. Si se instala un regulador de tiro, el requisito de área de sección transversal mínima no será aplicable, pero el dispositivo debe ser fácilmente accesible para su limpieza.
- Revise la chimenea y la trampilla de deshollinado para asegurarse de que no presentan fugas. Si hay alguna fuga, pasará menos aire por la estufa. Puede encargar la inspección de la chimenea a la autoridad local en materia de protección contra incendios.
- La chimenea debe conectarse de acuerdo con las instrucciones de instalación del proveedor de la chimenea.
- Antes de practicar un orificio en la chimenea, instale provisionalmente el aparato para marcar correctamente su posición y el orificio de la chimenea. Consulte las dimensiones mínimas en la (figura 1).
- Es de suma importancia que las conexiones ofrezcan cierto grado de flexibilidad para evitar que se produzca algún desplazamiento del aparato y se formen grietas.
- Es importante que las uniones y los tubos de humos estén bien sellados; las fugas de aire pueden conducir a un funcionamiento inadecuado.
- Instale un codo de tubo con trampilla de deshollinado. Si la instalación del codo de tubo de humos cambia la dirección del gas de combustión más de 45°, asegúrese de que lleve trampilla de deshollinado. Tenga en cuenta que se puede deshollar desde el interior de la cámara de combustión.
- Nota: para que el aparato funcione bien, es extremadamente importante que la conexión sea adecuada y totalmente hermética.
- El peso no debe transferirse de la estructura de la estufa a la chimenea. No ancle la estructura de la estufa a la chimenea ni impida la movilidad de esta.

4.6 Antes de la instalación

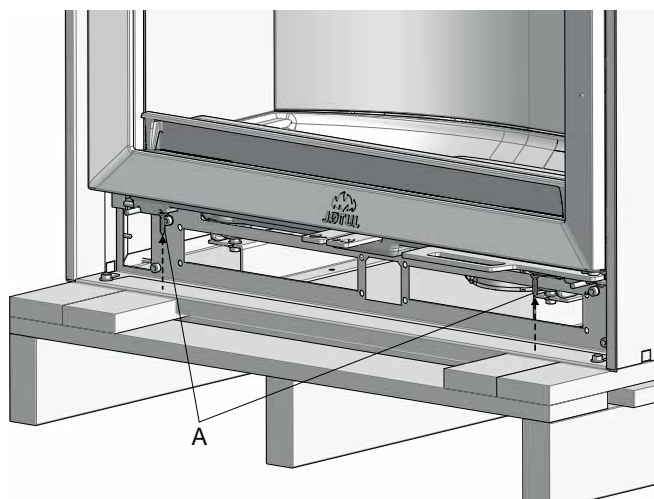
Asegúrese de que el casete Jøtul C 620 cabe en el hueco de la chimenea o el revestimiento; en la figura 1 se indican las dimensiones mínimas. Hay que dejar un pequeño espacio libre entre el casete y las paredes de obra para permitir la dilatación térmica del casete. Limpie a fondo el hueco antes de instalar el aparato. Es importante eliminar los restos de hollín y alquitrán que puedan haberse acumulado para evitar malos olores. Utilice un producto detergente adecuado.

¡El producto es pesado! Asegúrese de contar con ayuda para colocarlo e instalarlo.

El aparato de serie se sirve en 3 paquetes.

- Al desembalarlo, saque de la cámara de combustión la bolsa de tornillería y la caja que contiene el conector para aire exterior, los dos conectores para distribución de aire caliente y el guante termorresistente.
- Saque también la bandeja recogecenizas, la rejilla y el bloque de madera (empleado para el transporte) que encontrará justo debajo de la salida de humos del aparato.
- Compruebe que el aparato no presente desperfectos y que los mandos de regulación funcionen.

Fig. 3



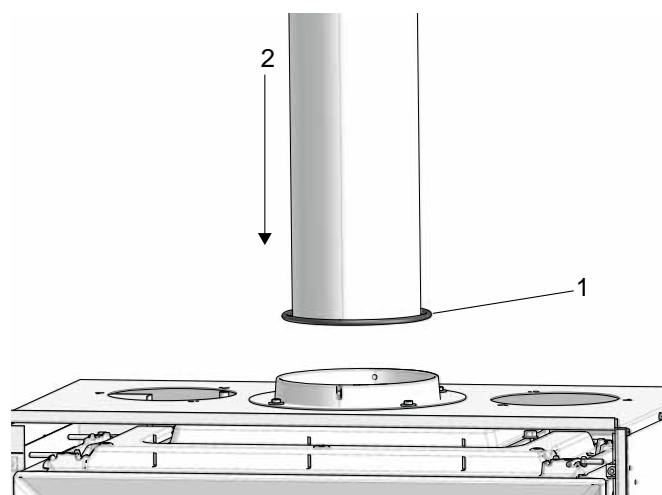
1. Quite los tornillos (A) que sujetan el cassette al palé.

4.7 Instalación

Cuando se suelta del palé, el cassette está listo para su instalación en un cerco adecuado.

Si no es necesaria una conexión de aire exterior, y existe un fácil acceso en el cerco por encima del cassette, este puede colocarse en el cerco. Instale el tubo de tiro con o sin adaptador (fig. 4/5) y, a continuación, instale el cassette en el cerco (fig. 13b+15)

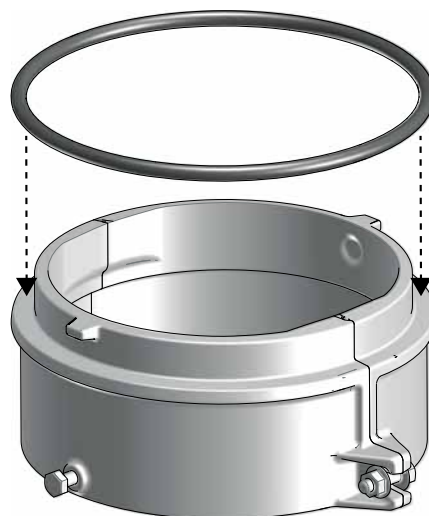
Fig. 4



1. Retire el papel protector de la junta suministrada, y fíjelo en la parte inferior del tubo de tiro, doblándolo hacia dentro y hacia fuera alrededor del tubo.
2. Inserte el tubo de humos en la salida de humo..

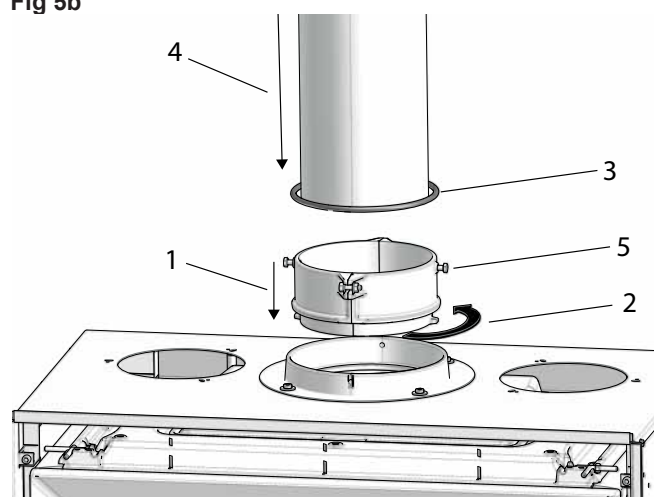
Monte el tubo de tiro con el adaptador (Ø150)

Fig. 5a



1. Retire el papel protector de la junta suministrada, y fíjelo en la parte inferior del adaptador. La junta debe seguir el borde externo.

Fig 5b



1. Coloque el adaptador en la salida de humos.
2. Gire el adaptador hasta que quede colocado firmemente en la salida de humos.
3. Retire el papel protector de la junta suministrada, y fíjelo en la parte inferior del tubo de tiro, doblándolo hacia dentro y hacia fuera alrededor del tubo.
4. Inserte el tubo de tiro en el adaptador.
5. Apriete los tornillos a ambos lados del adaptador.

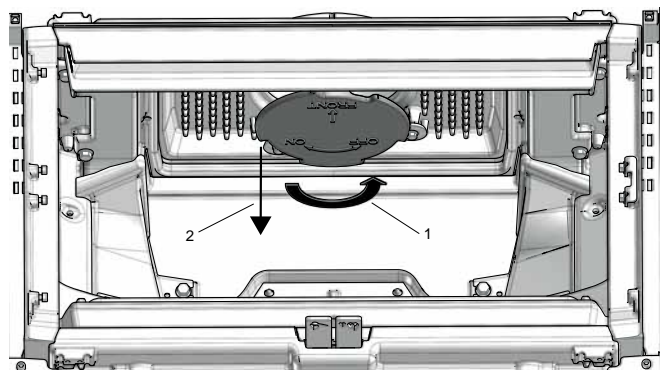
El producto puede instalarse ahora en el cerco, con un marco estrecho o ancho (ver fig. 13b y 15).

Instalación con acceso limitado dentro del cerco

Si durante el montaje hay un acceso limitado por encima del producto en el cerco, la salida de humos se puede instalar desde el interior de la cámara de combustión. A continuación, el adaptador se conecta al tubo de tiro en el cerco y, posteriormente, a la cámara de combustión desde el interior, cuando el cassette está en su sitio.

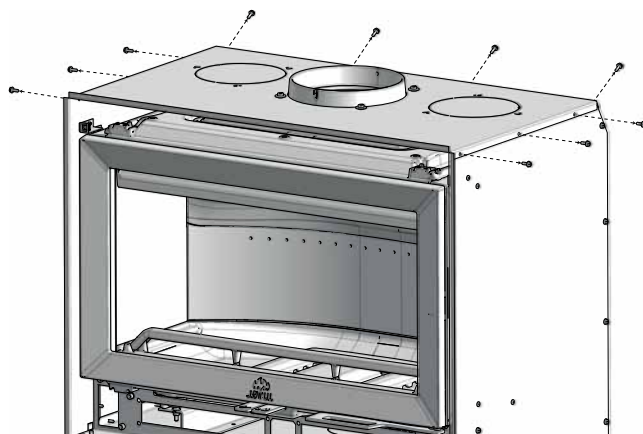
Empiece por retirar la placa deflectora y el deflector de escape (ver fig. 37-39).

Fig. 6



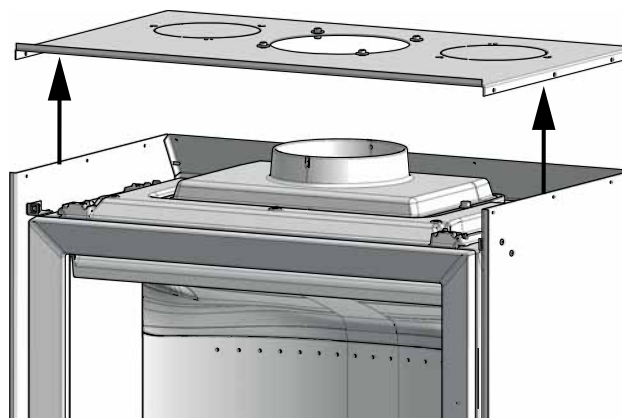
1. Levante y gire el deflector de escape superior en la dirección de la flecha para aflojarlo.
2. Retire el deflector de escape superior.
3. El procedimiento para montar las piezas nuevas es el mismo en orden inverso

Fig. 7a



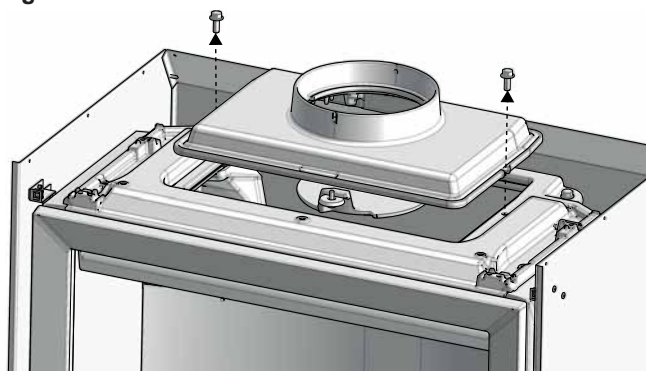
Desenrosque los tornillos alrededor de la parte superior del cassette.

Fig. 7b



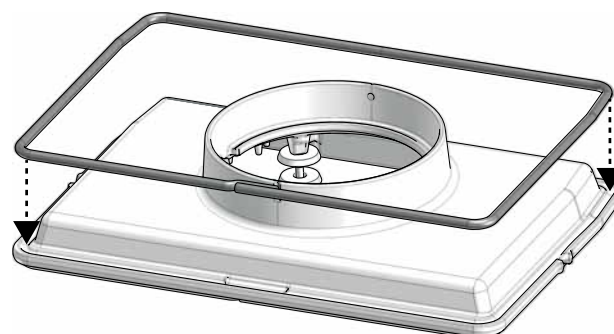
4. Quite la parte superior
5. El procedimiento para montar las piezas nuevas es el mismo en orden inverso

Fig. 8



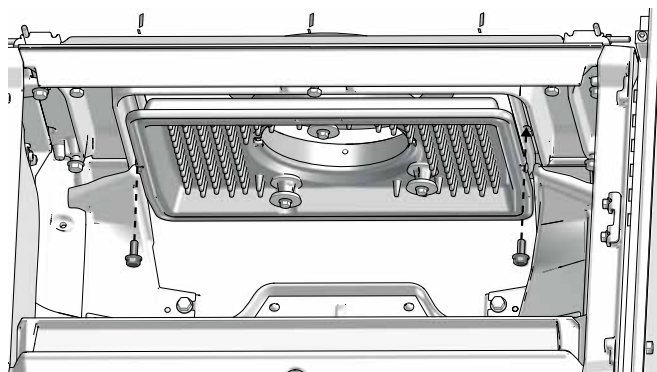
1. Desenrosque dos tornillos y extraiga la salida de humos.

Fig. 9



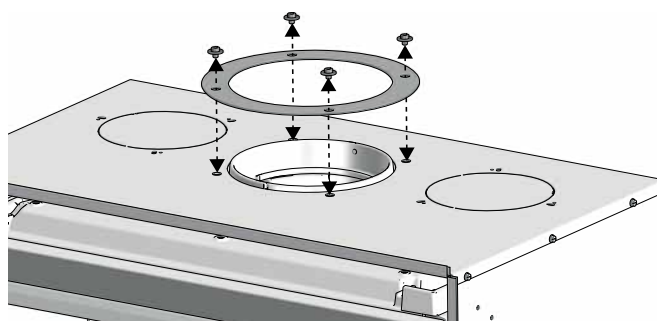
1. Retire el papel protector de la junta suministrada. Coloque la junta en la salida de humos.

Fig. 10



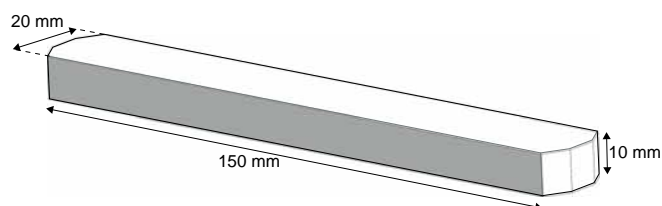
1. Coloque la salida de humos en la cámara de combustión, y hacia arriba a través de la abertura. Fijela con los tornillos de la fig. 8.

Fig. 11



1. Desenrosque los 4 tornillos y las arandelas de la placa superior del cassette.
2. Coloque el anillo metálico que se encuentra en la caja suministrada con la estufa, alrededor de la salida de humos, y fíjelo con los tornillos y las arandelas. No apriete los tornillos por completo hasta que sepa que no es necesario realizar más ajustes.

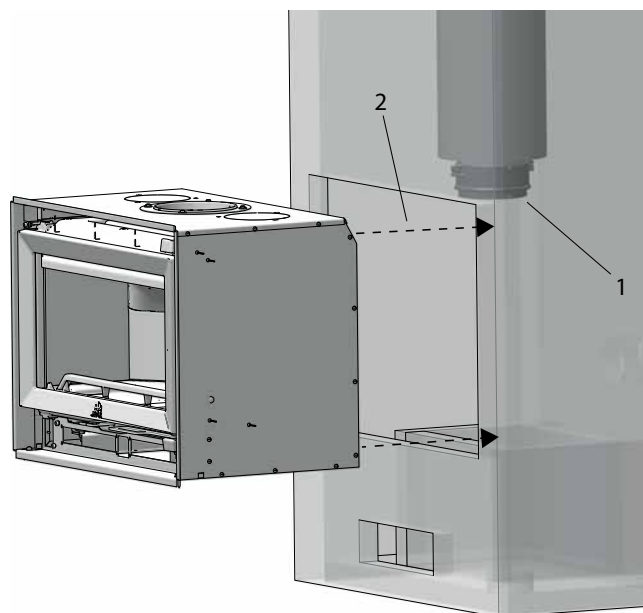
Fig. 12



1. Recorte una pequeña pieza de madera, con las dimensiones de la figura anterior. Se utilizará como herramienta para fijar el adaptador a la salida de humos desde el interior de la cámara de combustión.

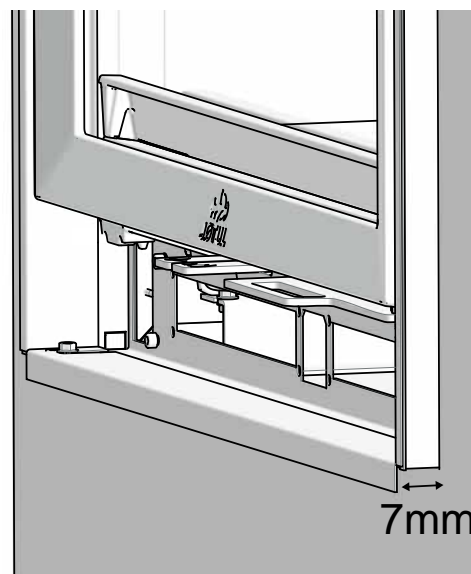
El adaptador debe conectarse al tubo de tiro antes de colocar el cassette en el cerco. Vea la fig. 5a y los pasos 3-5 de la fig. 5b.

Fig. 13a



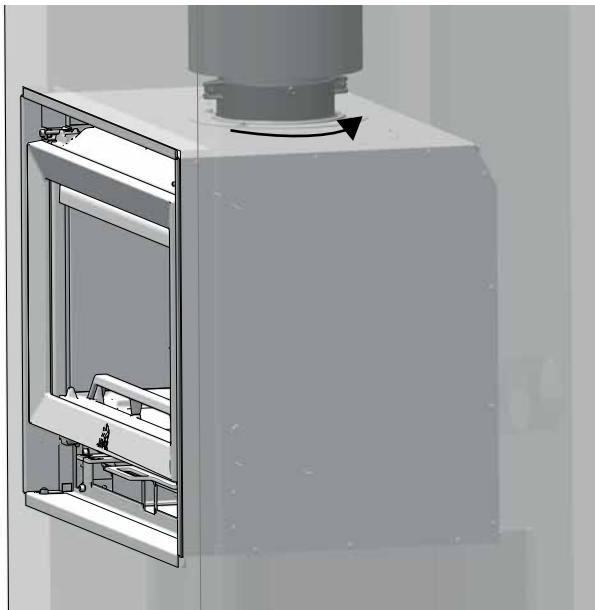
1. Fije la pieza de madera en el adaptador, poniéndola en tensión.
2. Coloque el cassette en el cerco en la posición correcta

Fig. 13b



3. Asegúrese de que haya un espacio de 7 mm entre el borde del cassette y el cerco.

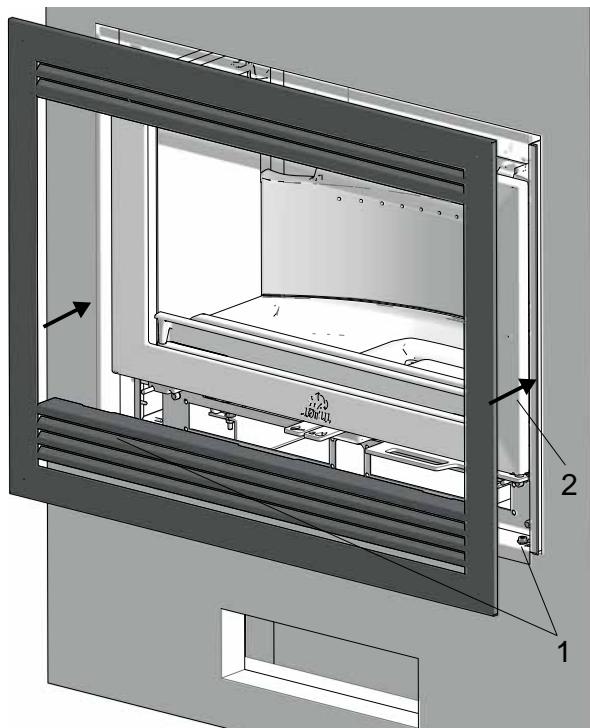
Fig. 14



1. Asegure el adaptador desde el interior girándolo, utilizando la pieza de madera. Retire la pieza de madera una vez montada.

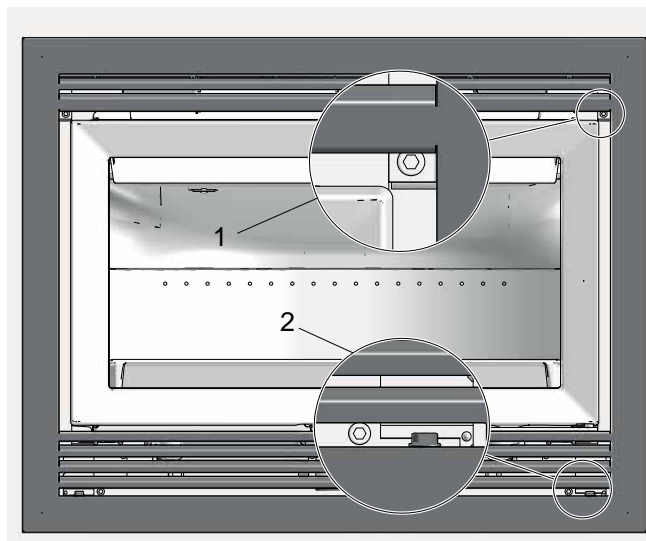
Vuelva a instalar el deflector superior de escape (fig. 6), el deflector de escape (fig. 39) y la placa deflectora (fig. 38). Vuelva a fijar la placa superior del cassette (fig. 7).

Fig. 15a



1. Afloje las dos tuercas de la parte inferior delantera del cassette.
2. Empuje el marco en su lugar.

Fig. 15b

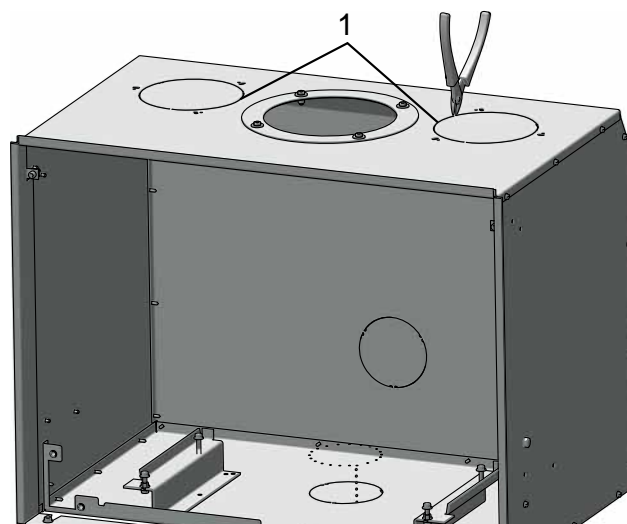


3. Fije la parte superior del marco en su sitio con dos tornillos de 20 mm de largo de la bolsa de tornillos (idénticos en ambos lados del marco), con una llave Allen de 5 mm.
4. Apriete las dos tuercas de la parte inferior delantera del cassette (idénticas en ambos lados del marco) con una llave de 10 mm.

Distribución de aire caliente – opcional

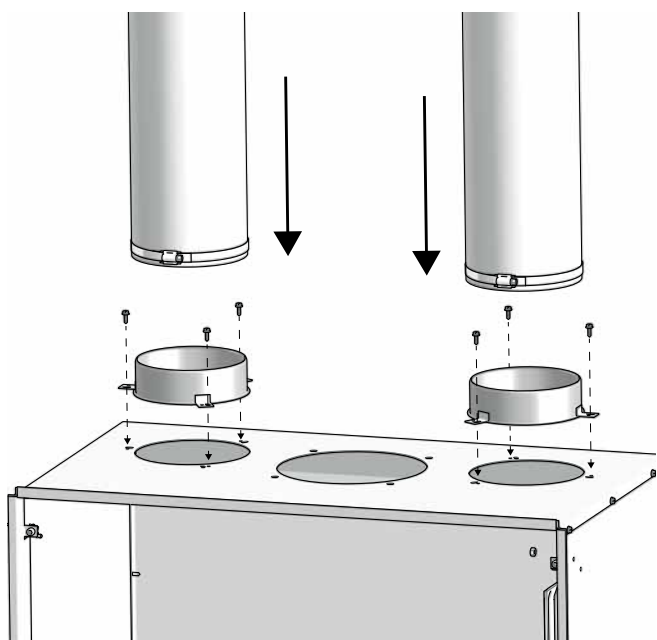
Consulte el capítulo 4.4 para obtener información sobre la distribución de aire de convección / aire caliente. Si es necesario, saque el inserto del casete cuando conecte la distribución de aire caliente (vea las figuras 7 y 17-19).

Fig. 16a



1. Utilice unos alicates para quitar las tapas de los conductos de aire caliente.

Fig. 16b



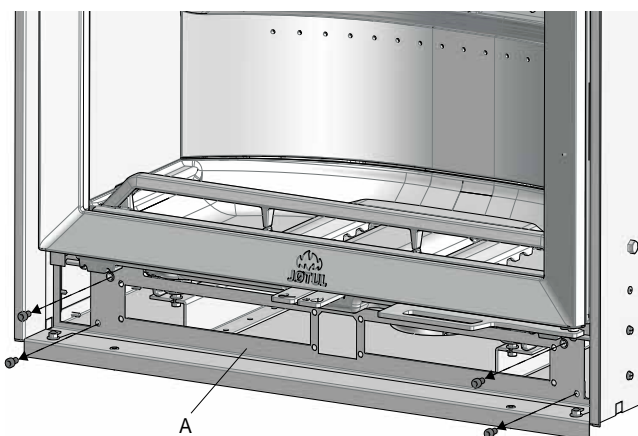
2. Fije las salidas de aire caliente al cassette, con los tornillos de la bolsa que los incluye.
3. Coloque los tubos flexibles en el exterior de las salidas y apriete la abrazadera con un destornillador o una llave de tubo de 7 mm. Los tornillos también se pueden ajustar desde el interior.

4.8 Instalación de conexión de aire exterior

Hay dos maneras de instalar la conexión de aire exterior: trasera o inferior. Ambas opciones requieren que se retire el cámara de combustión durante la instalación.

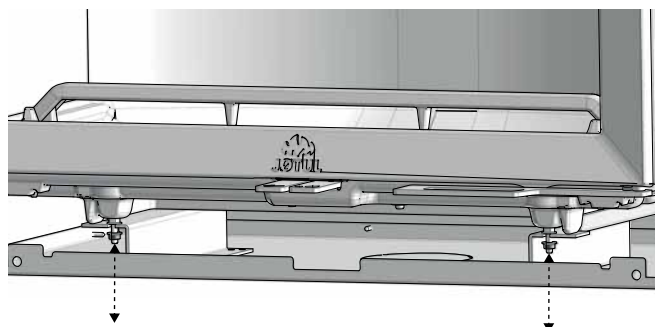
Empiece por retirar la parte superior del cassette, como se muestra en la fig. 7.

Fig 17



1. Desatornille los 4 tornillos que sujetan el soporte metálico (A) con una llave Allen de 5 mm.
2. Saque el soporte metálico (A).

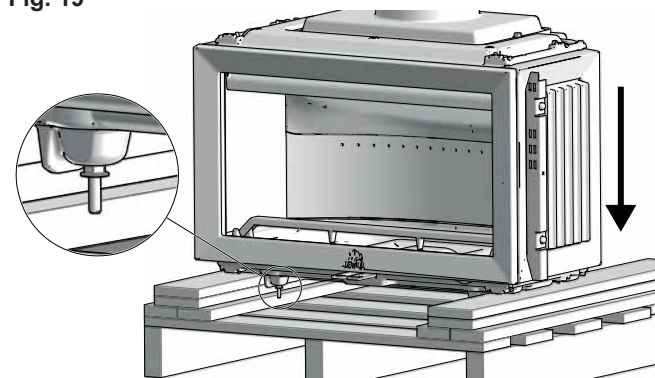
Fig. 18



1. Afloje las dos tuercas de la parte inferior de la cámara de combustión para liberar dicha cámara del cassette.

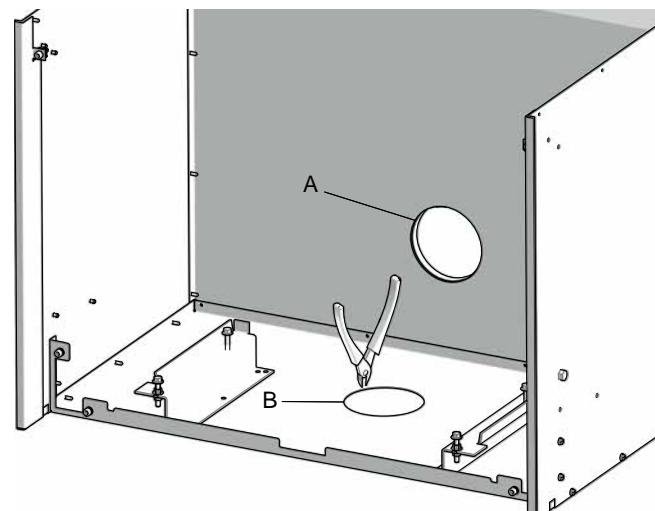
Extraiga con cuidado el encastre del cassette y colóquelo sobre una superficie adecuada (véase la fig. 19).

Fig. 19



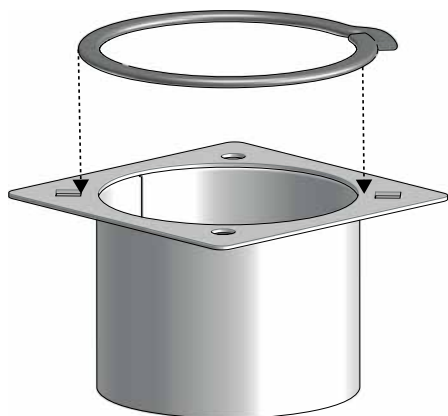
1. Coloque el encastre en una superficie adecuada, asegurándose de que el peso no descansa sobre los tornillos de la parte inferior de la cámara de combustión. Esto se puede hacer utilizando el palé y los materiales de madera que vienen con el producto.

Fig. 20



1. Retire la cubierta de suministro de aire exterior (ya sea trasera (A) o inferior (B)) con unos alicates.

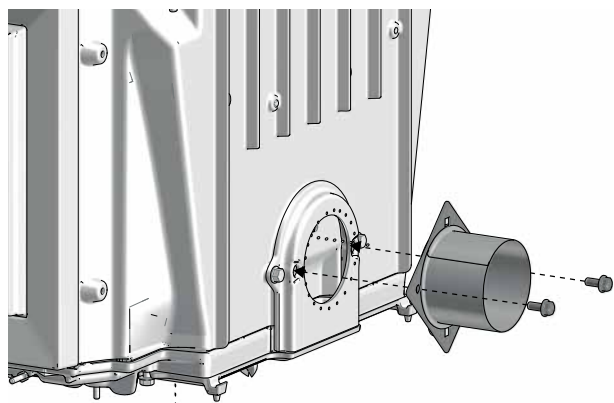
Fig. 21



1. Retire el papel protector de la junta suministrada. Coloque la junta en el adaptador de aire exterior.

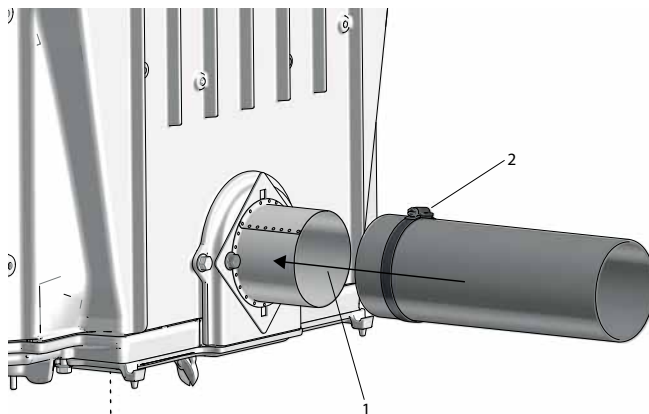
Conexión de aire exterior - Salida trasera

Fig. 22



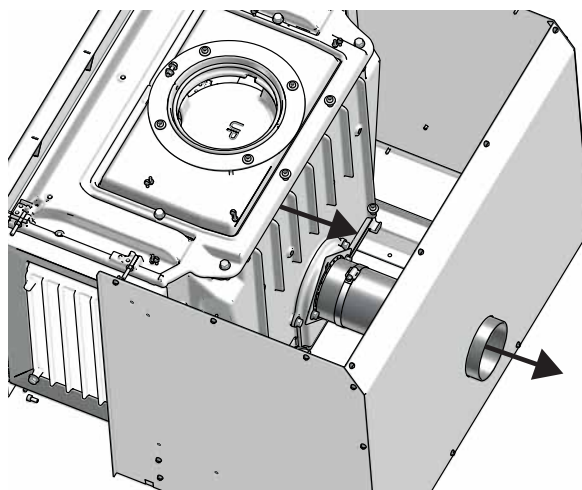
1. Monte el adaptador de aire exterior en la salida trasera con los tornillos incluidos en la bolsa correspondiente (utilice una llave de 13 mm).

Fig. 23



1. Coloque un tubo flexible en la parte externa del adaptador de aire exterior.
2. Apriete la abrazadera para tubo con un destornillador o una llave de tubo de 7 mm.

Fig. 24

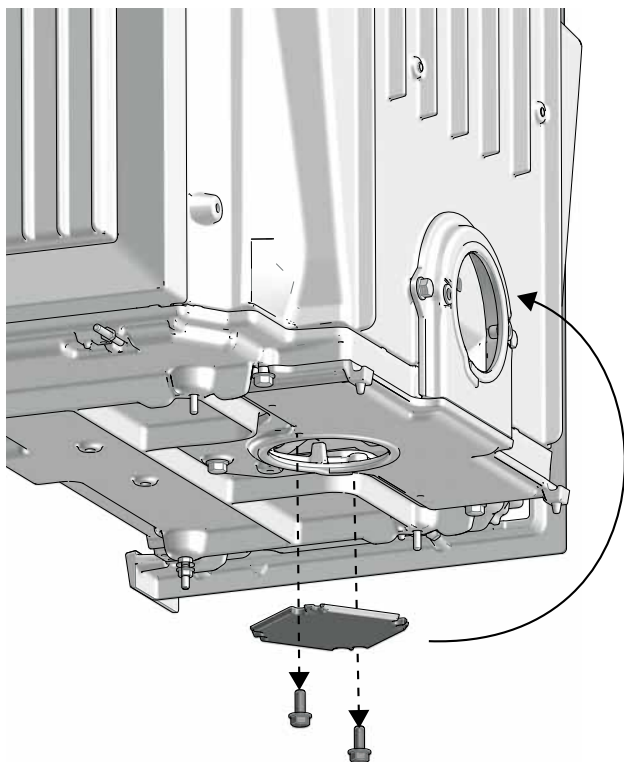


1. Vuelva a colocar el encastre en la cámara de convección, con el tubo a través de la salida trasera. El tubo flexible también se puede instalar desde el exterior de la cámara de convección.

Puede volver a montar el soporte metálico (ver fig. 17)

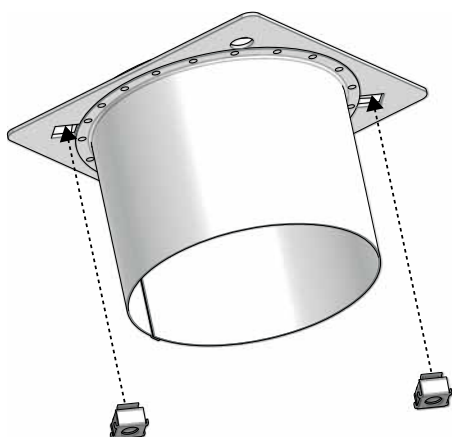
Conexión de aire exterior - Salida de la parte inferior

Fig. 25



1. Mueva la cubierta de aire exterior desde la salida inferior hasta la salida trasera.

Fig. 26



1. Fije las tuercas cuadradas que se encuentran en la bolsa de tornillos en el adaptador de aire exterior.

El adaptador de aire exterior debe estar asegurado desde el interior de la cámara de combustión. Para acceder a la parte inferior de la cámara de combustión, es necesario retirar una serie de piezas. Primero quite la barra sujetaleños (fig. 36), las placas de combustión (fig. 37), la cubierta de ventilación (fig. 40a) y la placa interior inferior (fig. 40b).

Fig. 27a Quite las alfombras aislantes

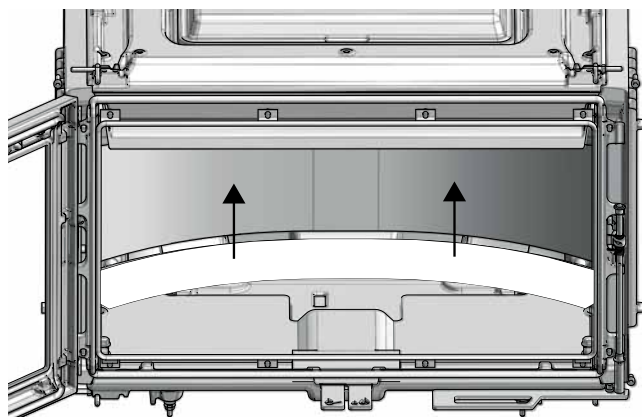


Fig. 27b

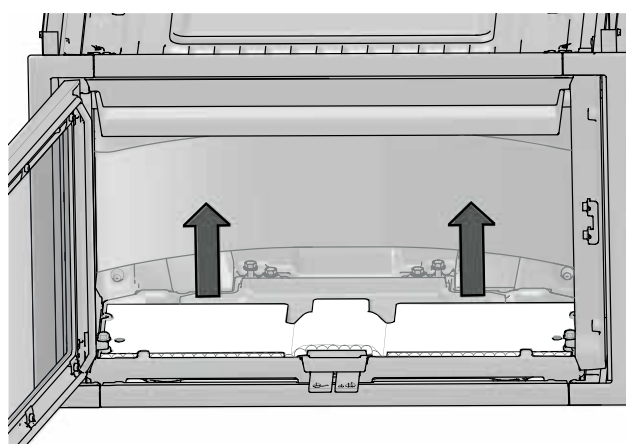
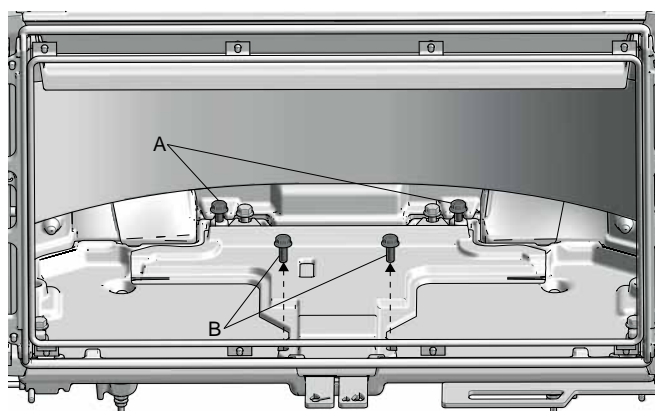
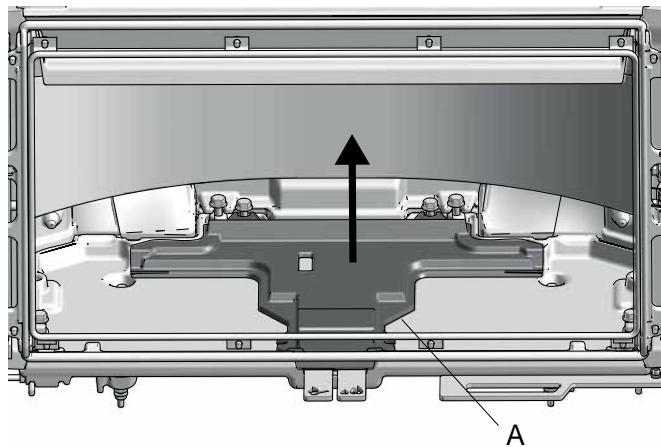


Fig. 28a



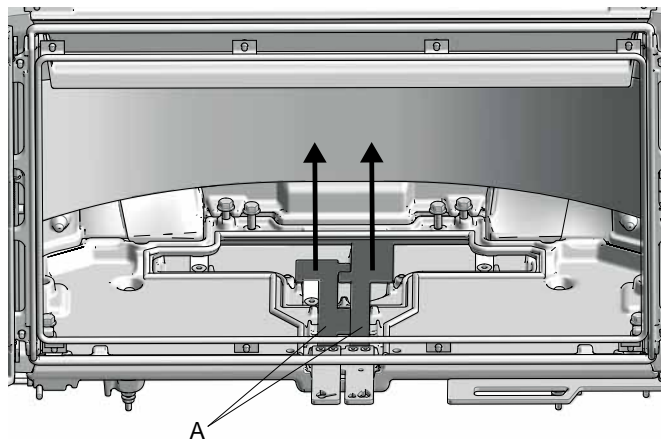
1. Afloje los dos tornillos traseros (A), no los quite.
2. Desenrosque los dos tornillos frontales (B).

Fig. 28b



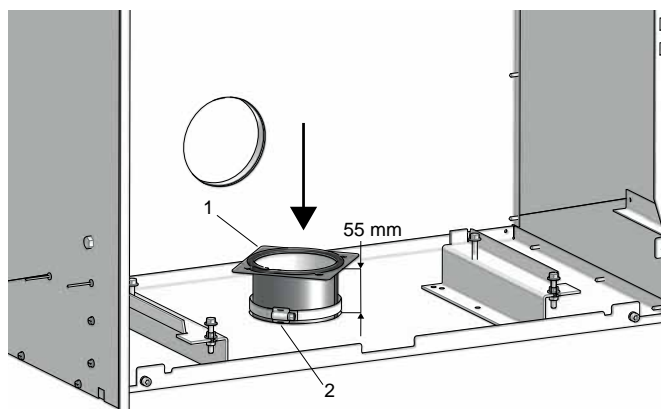
3. Levante e incline hacia afuera la parte inferior de la salida de aire exterior (A).

Fig. 29



1. Retire las válvulas de ventilación (A)

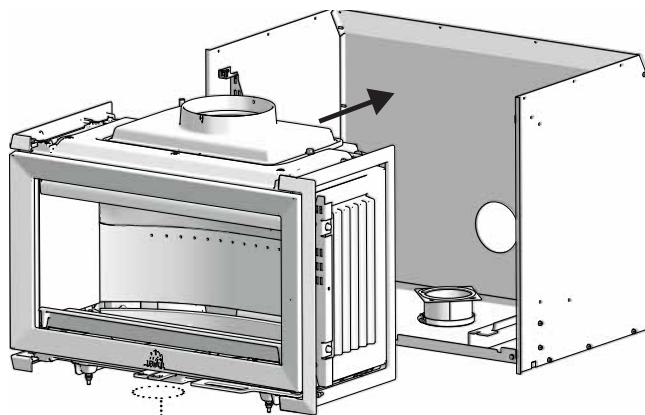
Fig. 30



1. Coloque el adaptador de aire exterior con abrazadera para tubo en la salida inferior del cassette.
2. Asegúrese de que la distancia entre la salida inferior y

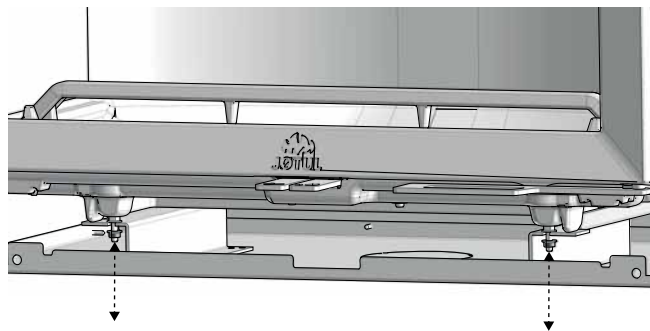
la parte superior del adaptador sea de aprox. 55 mm. El adaptador debe descansar sobre la abrazadera.

Fig. 31



1. Vuelva a colocar el encastre en el cassette.

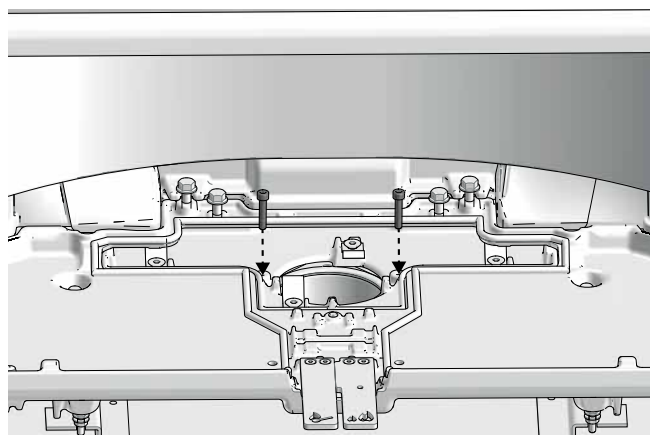
Fig. 32



1. Apriete las dos tuercas de la parte inferior de la cámara de combustión para asegurarla en el cassette.

Puede volver a montar el soporte metálico (ver fig. 17)

Fig. 33



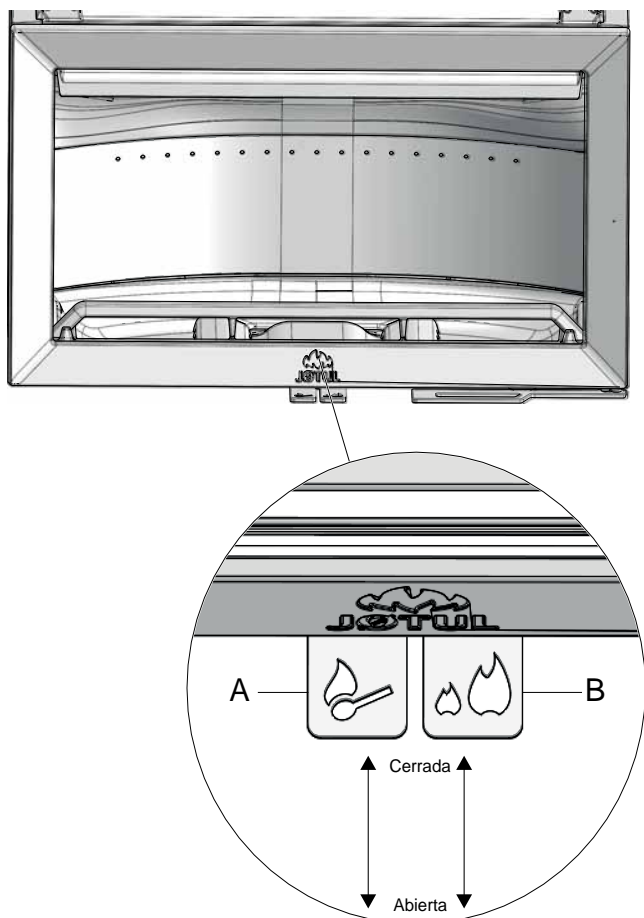
1. Fije el adaptador de aire exterior en su sitio con dos tornillos de 25 mm desde el interior de la cámara de combustión, con una llave Allen de 5 mm. Los tornillos se encuentran en la bolsa correspondiente.

Vuelva a montar todas las piezas en la cámara de combustión y siga el mismo procedimiento en orden inverso.

4.9 Comprobación del rendimiento

Cuando el producto esté montado, compruebe los mandos de regulación; deben moverse con facilidad y funcionar correctamente.

Fig. 34



El casete Jøtul C 620 está equipado con los siguientes mandos:

Entrada de aire primario (Fig. 34A)

Entrada de aire secundario (Fig. 34B)

5.0 Uso diario

Olores al usar el aparato por primera vez

Cuando se usa el aparato por primera vez, puede emitir un gas irritante que desprende un ligero olor. La razón es que la pintura exterior se está secando. El gas no es tóxico, pero conviene abrir algunas ventanas para que la habitación se ventile bien. Deje que el fuego arda con mucho tiro hasta que haya desaparecido todo rastro del gas y no se detecte humo ni olores.

Mantenga la puerta cerrada durante el uso (que el producto no está aprobado para su uso con la puerta abierta).

Tenga en cuenta! Partes de la estufa de leña, especialmente el exterior superficies, se calientan durante el uso. Por favor, tenga el debido cuidado!

Consejo de calentamiento

Nota: la leña almacenada al aire libre o en una habitación fría debe trasladarse al interior 24 horas antes de usarla para que alcance la temperatura ambiente.

Hay varias formas de calentar la estufa, pero siempre es importante tener cuidado con lo que se introduce en ella. Consulte el apartado sobre «Calidad de la madera».

5.1 Calidad de la madera

La leña debe dejarse secar de forma que su contenido en humedad no supere el 20 %.

Para ello, es preciso cortarla como tarde a finales del invierno. Luego hay que apilarla de forma que se garantice una buena ventilación. Además, es conveniente cubrirla para protegerla de la lluvia. La leña debe trasladarse al interior a principios del otoño y apilarse para utilizarla en invierno

Tenga especial cuidado de no usar nunca los siguientes materiales como combustible en su estufa:

- Basura doméstica, bolsas de plástico, etc.
- Madera pintada o impregnada (que es extremadamente tóxica).
- Madera laminada.
- Restos de madera de origen diverso.

Pueden dañar la estufa y además son contaminantes.

Nota: no use gasolina, parafina, alcohol desnaturalizado o líquidos similares para encender el fuego; podría sufrir heridas graves y dañar el aparato.

5.2 Consumo de leña

La Jøtul C 620 tiene una potencia calorífica nominal de aprox. **8 kW**. Uso de madera con emisión calorífica nominal: Aprox. **2,46 kg/h**. El tamaño de los troncos debe ser:

Astillas:

Longitud: 20-30 cm

Diámetro: 6-10 cm

Cantidad por fuego: 3 piezas

Leña (troncos partidos):

Longitud: Ca 24-30 cm

Intervalos de adición de madera: Cada 49 minutos aprox.

Tamaño del fuego: 1,92 kg (Eficiencia nominal)

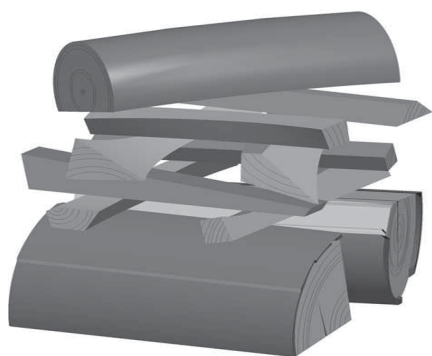
Cantidad por carga: 3 piezas

Los resultados de las pruebas se han obtenido cargando 3 troncos de 24 cm de largo, con un peso total de 1,92 kg. Los troncos se colocan de manera transversal. Entrada de aire primario para aproximadamente el 63 % de aire, y entrada de aire secundario primario para aproximadamente el 75 % de aire.

5.3 Encendido inicial

- Abra el respiradero de aire / el respiradero de encendido tirando de los manillares (A) hasta el tope. (Use un guante o algo similar para protegerse la mano en caso de que los manillares estén calientes).
- Coloque dos troncos en la parte inferior de la cámara de combustión (y apile las astillas para encender en capas).
- Ponga 2 ó 3 briquetas o astillas para encender debajo de la capa superior de astillas y encienda el fuego.
- Aumentar gradualmente el tamaño de los leños.
- Finalmente, coloque un leño de tamaño mediano en la parte superior de la pila.
- Entonces podrá regular el régimen de combustión para obtener el calor que desee ajustando el respiradero
- Cierre la puerta de la estufa. Siempre debe estar cerrada cuando el fuego esté encendido.

Fig. 35



Añadir madera

Avive la estufa con frecuencia pero añada solo una pequeña cantidad de leña en cada ocasión. Si la estufa está demasiado llena, el calor generado podría causar una elevada tensión en la chimenea. Añada combustible al fuego con moderación. Evite el fuego sin llama, pues es el que produce más contaminación. El fuego irá mejor cuando arda bien y el fuego que salga por la chimenea sea casi invisible.

Peligro de sobrecalentamiento

La estufa no debe usarse nunca de manera que se sobrecaliente

Se produce sobrecalentamiento cuando hay demasiado combustible y/o demasiado aire y se produce demasiado calor. Un signo seguro de sobrecalentamiento es cuando partes de la estufa se ponen al rojo. Si sucede esto, reduzca de inmediato la abertura del respiradero.

Solicite la ayuda de un profesional si sospecha que la corriente de la chimenea no es correcta (demasiada corriente o demasiado poca). Para más información, consulte «4.0 Instalación» (chimenea y tubo de tiro).

Condensación

Puede darse condensación en hogares / conductos / chimeneas. La condensación la generan la leña con exceso de humedad y las diferencias de temperatura entre el hogar y el entorno, especialmente por enfriamiento del conducto. El líquido de condensación de la chimenea aparece como un líquido negro tipo alquitrán. Este líquido conviene limpiarlo inmediatamente para evitar que se decolore la superficie afectada, ya sea el hogar, la estufa, el suelo, o el revestimiento. Es importante comenzar con un fuego vivo lo antes posible para evitar condensaciones.

Si la condensación continúa, puede colocar arena mineral en la base de la cámara de combustión.

5.4 Incidencia del viento y la condiciones meteorológicas sobre el rendimiento de la estufa

El rendimiento de la estufa puede verse notablemente afectado por las variaciones en la fuerza del viento que incide sobre la chimenea. Por ello, es posible que haya que ajustar la entrada de aire para lograr una combustión adecuada. También puede ser buena idea instalar una compuerta en el tubo de humos para poder regular el tiro de la chimenea en función de la fuerza del viento.

La niebla y la neblina pueden afectar de forma importante al tiro de la chimenea; por eso, en estos casos puede ser necesario modificar los ajustes del aire de combustión para garantizar un buen rendimiento

5.4 Chimenea

La chimenea es el «motor» del aparato, por lo que es esencial disponer de una buena chimenea para que funcione correctamente.

El tiro de la chimenea genera en el hogar un vacío que expulsa el humo al exterior e inyecta aire por el deflector de aire de combustión para alimentar el fuego.

El aire de combustión también alimenta el sistema de limpieza por aire que evita que se acumule hollín en el cristal.

El tiro se produce por la diferencia de temperatura entre el interior y el exterior de la chimenea. Cuanto mayor es la diferencia de temperatura, mejor tira la chimenea. Por tanto, es importante dejar que la chimenea alcance la temperatura

de funcionamiento adecuada antes de ajustar las entradas de aire para limitar la combustión en el hogar (*las chimeneas de obra tardan más que las de acero en alcanzar la temperatura de funcionamiento*).

Es especialmente importante alcanzar la temperatura de funcionamiento con la máxima rapidez en los días de viento desfavorable y condiciones meteorológicas adversas. Asegúrese de que el combustible prenda lo antes posible. Consejo práctico: corte la leña en trozos mucho más pequeños y utilice más pastillas de encendido.

Nota: si no ha utilizado el aparato durante bastante tiempo, asegúrese de que la chimenea no esté obstruida

6.0 Mantenimiento

6.1 Limpieza del cristal

Aunque siempre se adhiere algo de hollín al cristal, la cantidad dependerá de las condiciones de tiro locales y del ajuste del respiradero de ventilación. La mayor parte de la capa de hollín se suele quemar cuando se abre completamente el respiradero de ventilación y arde un fuego vivo en la estufa.

Un buen consejo! Para la limpieza normal humedezca una toalla de papel en agua caliente y añádale cenizas de la cámara de combustión. Frote el cristal con la toalla de papel y, a continuación, enjuáguelo con agua limpia. Séquelo bien. Si es necesario limpiar el cristal más a fondo, recomendamos el empleo de un limpiacristales (*siga las instrucciones de uso del envase*).

6.2 Eliminar las cenizas

- Antes de retirar las cenizas, asegúrese de que la estufa esté fría.
- Utilice una pala para raspar las cenizas, pero siempre deje un poco de ceniza en el fondo de la cámara de combustión como capa aislante protectora.
- Las cenizas deben depositarse fuera en un contenedor de metal.

6.3 Limpieza y eliminación del hollín

Pueden acumularse depósitos de hollín sobre las superficies internas de la estufa durante su uso. El hollín es un buen aislante y, por lo tanto, reduce la producción de calor de la estufa. Si dichos depósitos de hollín se acumulan durante el uso del producto, pueden eliminarse fácilmente con el limpiador de hollín.

Para evitar que en la estufa se forme una capa de agua y de alquitrán, es necesario dejar regularmente que el fuego arda con fuerza. Para obtener la máxima producción calorífica del producto, es necesario limpiar el interior del producto una vez al año. Es una buena idea hacerlo cuando desholline la chimenea y los tubos de humos.

6.4 Deshollinado del tubo de humos a la chimenea

El tubo de humos se debe limpiar por la trampilla de deshollinado del tubo o por la puerta del aparato. Antes hay que quitar las placas de combustión laterales, la placa deflector y el deflector de escape.

6.5 Inspección de la estufa

Jøtul recomienda inspeccionar a fondo la estufa después de limpiarla/deshollinarla. Revise todas las superficies visibles para asegurarse de que no presentan grietas. Compruebe también que todas las uniones estén selladas y que todas las juntas estén bien colocadas. Si alguna junta presenta signos de desgaste o deformación, cámbiela.

Limpie cuidadosamente las ranuras de la junta, aplique adhesivo cerámico (disponible en su distribuidor Jøtul más cercano) y coloque la junta apretando bien. La unión se secará con rapidez.

6.6 Mantenimiento exterior

Los productos pintados pueden cambiar de color después de varios años de uso. Antes de aplicarles una capa de pintura, es necesario limpiar y cepillar la superficie para retirar cualquier partícula.

¡Importante! Nunca coloque nada en la placa superior de la estufa. Esto podría causar daños permanentes en la pintura o en el esmalte.

7.0 Conservación

¡Advertencia! Es ilegal efectuar modificaciones no autorizadas en el aparato. Deben utilizarse exclusivamente piezas de repuesto originales

Use las herramientas con mucho cuidado

7.1 Sustitución de las placas de combustión

Fig. 36 Abra la puerta y saque la barra sujetatroncos

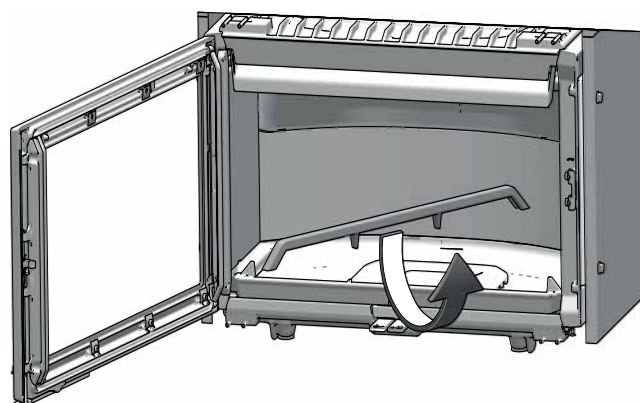


Fig. 37a

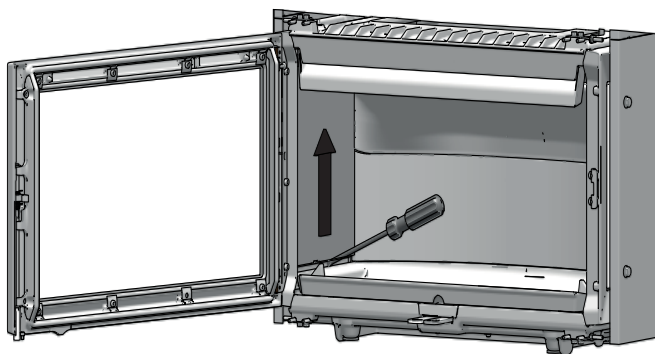
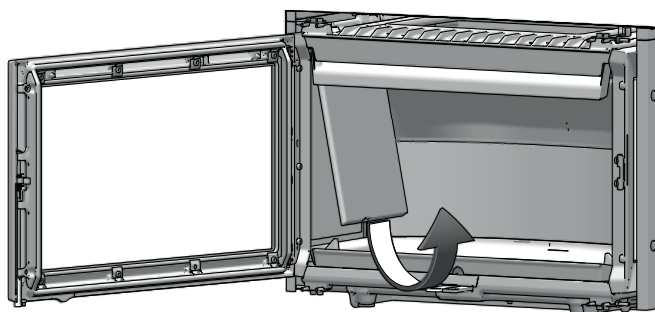


Fig. 37b

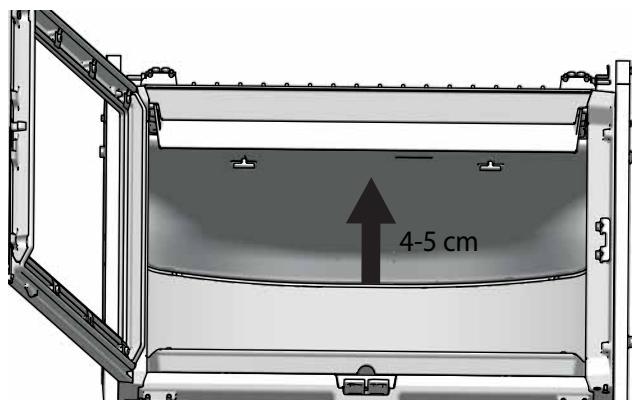


1. Retire la placa de combustión levantando e inclinando la placa de combustión fuera de la estufa, lo que se hace a ambos lados de la cámara de combustión.
2. El procedimiento para montar las piezas nuevas es el mismo en orden inverso

7.2 Sustitución de la placa deflectora

Primero, quite las placas de combustión laterales (fig. 35). No es necesario quitar la trasera.

Fig 38a



1. Empuje hacia arriba la placa defl ectora.

Fig 38b

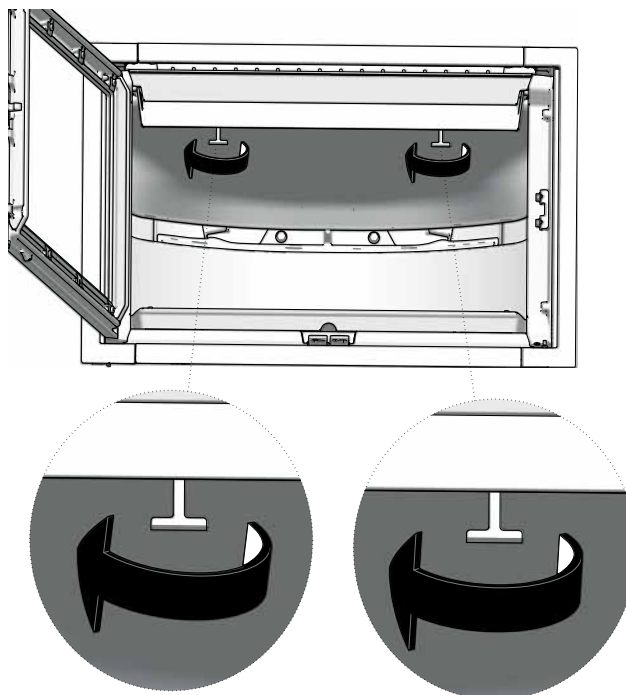
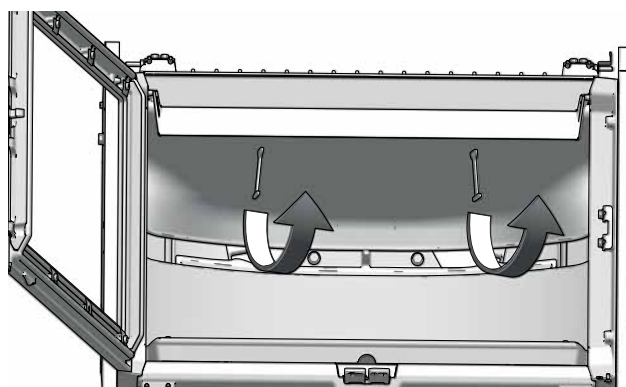
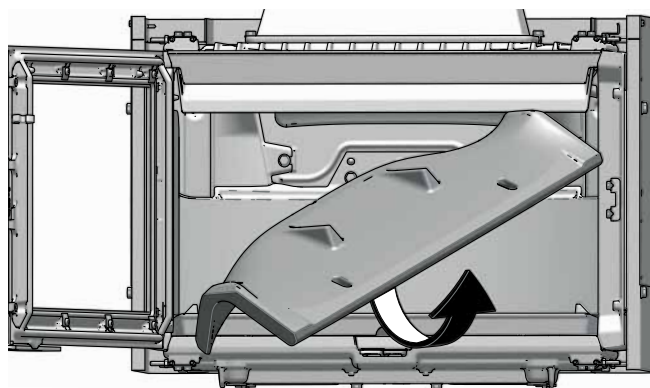


Fig 38c



2. Gire las llaves 90 ° y retírelo

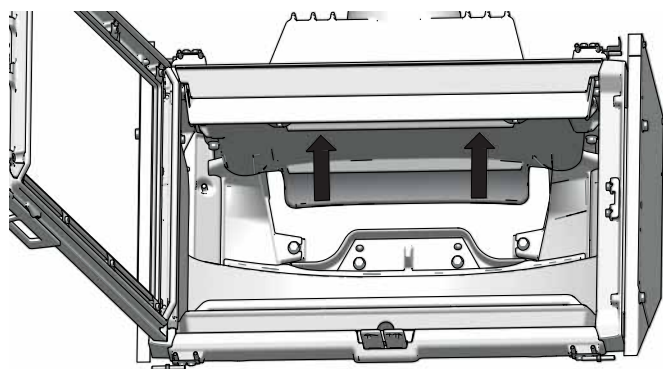
Fig 38d



3. Inclin ar la placa deflectora hacia fuera de la estufa.
4. El procedimiento para montar las piezas nuevas es el mismo en orden inverso.

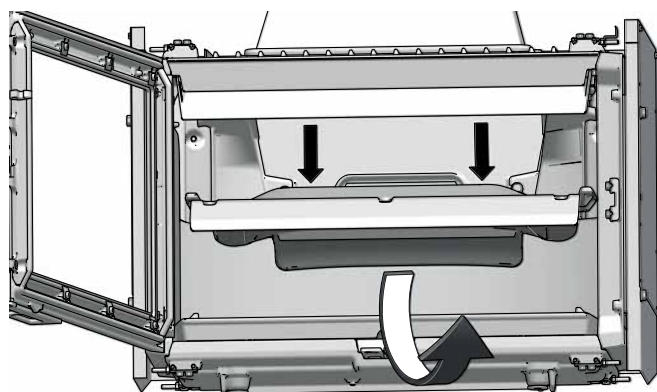
7.2 Sustitución el deflector de escape

Fig 39a



1. Empuje el deflector hacia arriba y hacia dentro

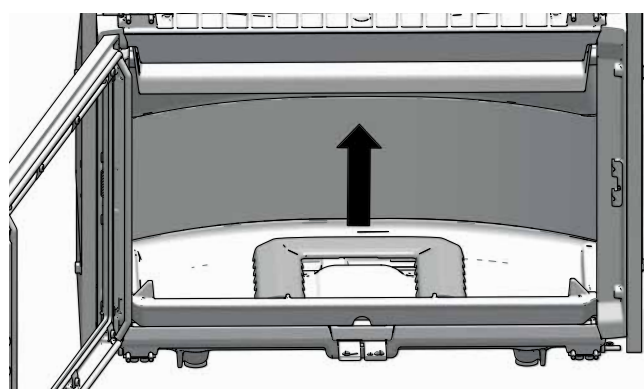
Fig 39b



2. Baje el deflector de escape y levántelo para sacarlo.
3. El procedimiento para montar las piezas nuevas es el mismo en orden inverso

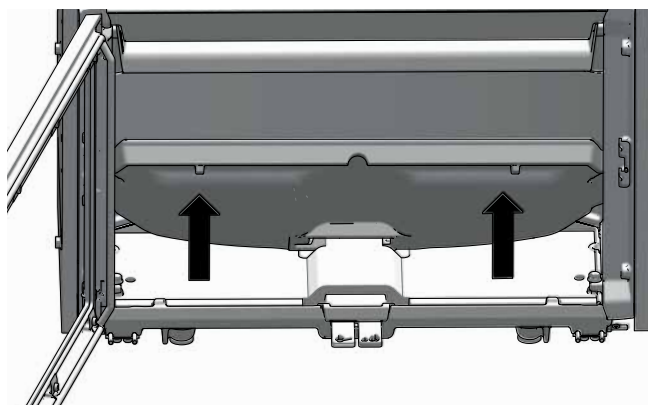
7.3 Sustitución placa inferior interna

Fig 40a



1. Levante el conducto de aire y extráigalo.

Fig 40b



2. Levante e incline hacia afuera la parte interna inferior.
3. El procedimiento para montar las piezas nuevas es el mismo en orden inverso

8.0 Problemas de funcionamiento: solución de problemas

Poco tiro

1. Compruebe la longitud de la chimenea y que cumple los requisitos y normativas nacionales. (Consulte también la información de la secciones «2.0 Información técnica» y «4.0 Instalación» (Chimenea y tubo de humos).
2. Compruebe que la sección transversal mínima de la chimenea corresponde a lo indicado en la sección «2.0 Información técnica».
3. Cerciórese que no hay ningún obstáculo que impida el escape de los gases: ramas, árboles, etc.
4. Si sospecha que el tiro de la chimenea es excesivo o escaso, solicite ayuda profesional para su medición y ajuste.

La llama se extingue transcurrido un tiempo

1. Asegúrese de que la leña está suficientemente seca.
2. Averigüe si existe presión negativa en la vivienda, apague los sistemas de ventilación mecánicos y abra una ventana cercana a la estufa.
3. Compruebe que el respiradero está abierto.
4. Compruebe que la toma de la salida de humos no está obstruida con hollín.

Se acumula una cantidad anormal de hollín en el cristal

Siempre se adherirá algo de hollín al cristal, pero la cantidad depende de:

- Humedad del combustible.
- Las condiciones de tiro locales.
- Apertura del respiradero de ventilación.

La mayor parte del hollín se suele quemar cuando se abre completamente el respiradero de ventilación y arde un fuego vivo en la estufa. (Consulte la sección «6.1 Limpieza del cristal - un buen consejo!».)

9.0 Optional extras

9.1 Ventilador

(Cat. no. 50054865)

9.2 Kit de conexión para aire exterior, Ø 100 mm

(Cat. no. 51042164)

9.3 Pestillo de puerta, completo, izquierdo

Para puerta de apertura a la derecha

(Cat. no. 50045754)

10.0 Reciclaje

10.1 Reciclaje del embalaje

Su estufa se entrega con el siguiente embalaje:

- Un palé de madera que puede cortarse y quemarse en la estufa.
- Embalaje de cartón que debe llevarse a un punto de reciclaje local.
- Bolsas de plástico que deben llevarse a un punto de reciclaje local.

10.2 Reciclaje de la estufa

La estufa se compone de:

- Metal que debe llevarse a un punto de reciclaje local.
- Cristal que debe desecharse como un residuo peligroso. El cristal de la estufa no debe depositarse en un contenedor de separación convencional.
- Placas de combustión de vermiculita que pueden desecharse en contenedores de desechos convencionales.

11.0 Términos de la Garantía

1. Nuestra garantía cubre:

Jøtul AS garantiza que las partes exteriores de hierro fundido están libres de defecto en materiales o fabricación en el momento de la compra. Usted puede extender esta garantía sobre las piezas exteriores de fundición hasta 25 años desde la fecha de entrega del producto registrándolo en jotul.com, e imprimiendo la tarjeta de ampliación de la garantía en un plazo de tres meses a contar desde la fecha de compra. Recomendamos conservar la tarjeta de garantía junto con el justificante de compra. Jøtul AS también garantiza que las piezas de acero están libres de defectos de material o fabricación en el momento de la compra y durante un período de 5 años a partir de la fecha de entrega.

La garantía solamente tendrá validez si la instalación de la estufa se encarga a un instalador cualificado y se realiza con arreglo a la normativa en vigor y siguiendo las instrucciones de instalación y funcionamiento de Jøtul. Los productos reparados y las piezas sustituidas estarán garantizados durante el tiempo que quede de la garantía original.

2. La garantía no cubre:

- 2.1. Los daños en las piezas de desgaste, como placas de combustión, rejillas, deflectores de humos, juntas y similares, puesto que se deterioran con el tiempo debido al uso normal.
- 2.2. Los daños derivados de un mantenimiento inadecuado, sobrecalentamiento o uso de combustibles inadecuados (ejemplos de combustible inadecuado son entre otros: restos de madera extraídos del mar, madera impregnada, recortes de tablas, aglomerado, etc.) o de leña demasiado húmeda
- 2.3. La instalación de accesorios opcionales que rectifiquen el tiro, el suministro de aire u otras circunstancias fuera del control de Jøtul.
- 2.4. Casos derivados de alteraciones o modificaciones de la estufa efectuadas sin el consentimiento de Jøtul, o el uso de piezas no originales.
- 2.5. Daños producidos en el almacén de un distribuidor, en el transporte posterior o durante la instalación
- 2.6. Productos vendidos por distribuidores no autorizados en zonas donde Jøtul opera según distribución selectiva
- 2.7. Costes asociados (por ejemplo, pero no solo, transporte, mano de obra, gastos de viaje) o daños indirectos

Las estufas de pellets, cristal, piedra, hormigón, acabados de pintura y esmalte (por ejemplo, pero no solo golpes, grietas, burbujas, decoloramiento, etc) están sujetos a la legislación nacional de consumo aplicable. Esta garantía es válida para compras realizadas dentro del territorio del Espacio Económico Europeo. Todas las reclamaciones de garantía se tramitarán a través de su distribuidor autorizado Jøtul local en un plazo razonable de tiempo que no excederá de 14 días respecto a la fecha en la que se detecte la falta o defecto por primera vez. Consulte la lista de importadores y distribuidores en nuestra página web www.jotul.com

Si Jøtul no pudiese cumplir con las obligaciones descritas en los términos de la garantía, se ofrecerá un producto alternativo de capacidad calorífica comparable

Jøtul se reserva el derecho a rechazar cualquier reposición de piezas si la garantía no se ha registrado online. Esta extensión de garantía únicamente añade coberturas, y no disminuye en medida alguna los derechos del consumidor y las garantías establecidas por la ley. Los derechos de garantía nacional empezarán a contar desde la fecha de compra y solamente podrán ejercerse previa presentación del justificante de compra/número de serie.

Cat.no. 10055287-P04
Jøtul AS, Nov, 2021

Jøtul arbeider kontinuerlig for om mulig å forbedre sine produkter, og vi forbeholder oss retten til å endre spesifikasjoner, farger og utstyr uten nærmere kunngjøring.

Jøtul bemüht sich ständig um die Verbesserung seiner Produkte, deshalb können Spezifikationen, Farben und Zubehör von den Abbildungen und den Beschreibungen in der Broschüre abweichen.

Jøtul pursue a policy of constant product development. Products supplied may therefore differ in specification, colour and type of accessories from those illustrated and described in the brochure.

Jøtul vise sans cesse à améliorer ses produits. C'est pourquoi, il se réserve le droit de modifier les spécifications, couleurs et équipements sans avis préalable.

Kvalitet

år kvalitetspolitikk skal gi kundene den trygghet og kvalitetsopplevelse som Jøtul har stått for siden bedriftens historie startet i 1853.

Qualität

Unsere Qualitätspolitik vermittelt unseren Kunden ein Gefühl von Sicherheit und Qualität, für das Jøtul mit seiner langjährigen Erfahrung seit der Firmengründung im Jahre 1853 steht.

Quality

Our policy gives our customers quality and safety piece of mind as a result of Jøtul's vast experience dating back to when the company first started in 1853.

Qualité

Notre politique nous permet d'offrir à nos clients une qualité et une sécurité reposant sur la vaste expérience accumulée par Jøtul depuis sa création en 1853.



Jøtul AS,
P.o. box 1411
N-1602 Fredrikstad,
Norway
www.jotul.com